

CATALOGUE OF SOLAR PROMINENCES (1967 - 1986)

V. Rušin and M. Rybanský
 Astronomical Institute, Slovak Academy of Sciences,
 059 60 Tatranská Lomnica, Czechoslovakia

V. Dermendjiev, K. Ya. Stavrev
 Department of Astronomy and National Observatory,
 72 Lenin Blvd., 1174 Sofia, Bulgaria

Received 2 October 1987

ABSTRACT. The results of observations of prominences made at the Lomnický štít coronal station in the years 1967-1986 are reported. The position, area in relative units, latitudinal extent and relative brightness of each prominence are given. Some results of the statistical treatment (distribution of the number and areas of prominences, as well as the N-S asymmetry) are also reported. Preferred heliographic longitudes in the occurrence of prominences as well as their differentiated evolution towards the poles in the course of the cycle were observed in both cycles and both hemispheres at intermediate and high heliographic latitudes. Prominence areas between minimum and maximum of the solar activity changed in the ratio of about 1:2, number of prominences of 1:3.

КАТАЛОГ СОЛНЕЧНЫХ ПРОТУБЕРАНЦЕВ (1967-1986 гг.). В статье опубликованы результаты наблюдений протуберанцев на корональной станции Ломницкий Штит за 1967-1986 гг. Для каждого протуберанца приведены: положение, площадь в относительных единицах, ширина в основании и яркость в трех-балльной шкале. Приведены тоже некоторые результаты статистической обработки материала (распределение числа, площадей протуберанцев и асимметрия в северо-южном направлении). В обоих циклах, на обоих полушариях, в средних и высоких широтах наблюдались долготы в которых появлялись протуберанцы преимущественно и тоже различное пове-

дение этих зон во время цикла в направлении к полюсам. Площадь протуберанцев изменяется от минимума к максимуму цикла в отношении 1:2, их число в отношении 1:3.

KATALOG SLNEČNÝCH PROTUBERANCIÍ (1967-1986). V článku publikujeme výsledky pozorování protuberancií na koronální stanici Lomnický štít v letech 1967-1986. Pro každou protuberancií uvádíme její polohu, plochu v relativních jednotkách, délku protuberancií při povrchu Slunce a relativní jas. Dále uvádíme některé výsledky statistického zpracování (rozdělení počtu a ploch protuberancií jako aj severo-j jižní asymetrii). V oboch cykloch na oboch pólguľiach v stredných a vysokých heliografických šírkach sa vo výskyte protuberancií pozorovali preferované dĺžky ako aj ich diferencovaný vývoj smerom k pólu. Plocha protuberancií medzi minimom a maximom slnečnej aktivity sa menila v pomere okolo 1:2, počet protuberancií v pomere okolo 1:3.

1. INTRODUCTION

Prominences (Figure 1) are dense, cool clouds of hydrogen plasma in the solar corona which, according to Babcock and Babcock (1955), "form in the line of demarcation between photospheric fields of opposite polarity". Their observations above the limb or as projections on the solar disk (in this case called "filaments") provide valuable information not only of the large-scale topology

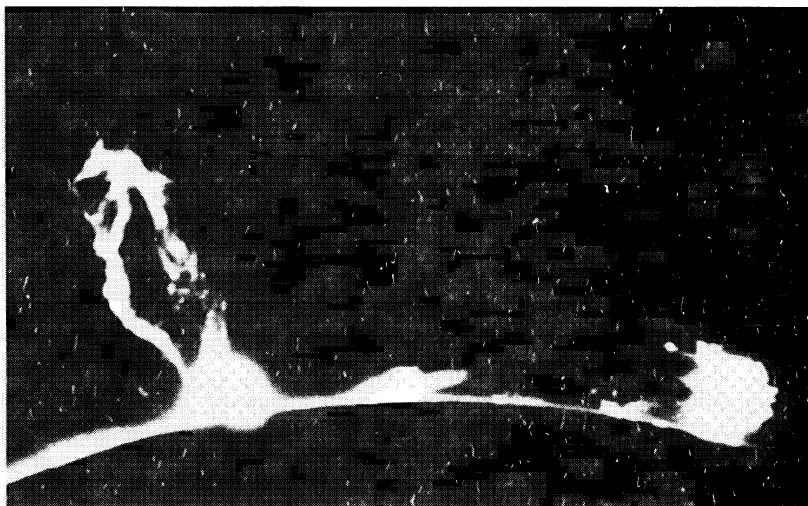


Figure 1: Solar prominences taken at Lomnický štít coronal station in H-alpha.

of the solar magnetic field, e.g. (Makarov and Sivaraman, 1985), but also about the dynamics of displacement of neutral lines from heliographic mid-latitudes towards the poles at speeds ranging from 4.2 to 8.5 m s⁻¹. The problem of the distribution of prominences over the solar disk remains unsolved. Wolfer (1897) was the first to determine qualitatively the active or preferred longitudes of prominences within one cycle. His study disclosed the existence of two high latitude preferred longitudes at a mutual distance of approximately 180°. Hansen and Hansen (1975) and Menzel and Bell (1953) drew attention to filament clustering, the former in cycle 20, the latter in earlier cycles. Finally, also the preliminary analysis of cycles 20 and 21 (Rušin et al., 1986) indicated the preferred longitudes in both of these cycles. Prominences are located in the solar corona, but little is known of mass transfer between them; Lebecq (1988) pointed out, using observations of high resolution, that part of the coronal matter could come from prominences (an opposite process is observed more frequently). The reader is reminded that the mass of one large prominence is comparable with the mass of the whole corona.

The paper presents a summary of prominence observations made at the Lomnický Štít coronal station in the years 1967-1986 (i.e. nearly over two solar cycles), as well as some of the results of their statistical treatment (N-S asymmetry, distribution of prominences in heliographic latitude and longitude, total number and area of prominences in the course of cycles 20 and 21). Some of the statistical data (height, width, occurrence within the cycles) were already published earlier (Rušin et al. 1986).

2. OBSERVATIONS AND DATA-PROCESSING

The regular photographic observations of prominences at Lomnický Štít have been made with a coronagraph, the 20-cm diameter of a lens and with H-alpha filter (FWHM = 0.8 nm) since 1967 (May). Between 100 and 140 of observation days are available for each year since 1967.

The basic processing of the photographic material was carried out at Lomnický Štít, i. e. the heliographic latitude, area of prominences in terms of the "vertical" area of 1° in heliographic longitude and 10" in geocentric height, the height (in arcsec) and width (in degrees) and relative brightness of prominences was determined on a three-degree scale.

This basic material was then further processed in the Department of Astronomy and the National Observatory (DANO) at Sofia. The heliographic longitude and the ordinal number of Carrington's rotation were determined for each prominence. The results are given in Table 1 which forms the actual "Catalogue of Prominences". The symbols marking the individual columns in the Table 1 are: NO-ordinal number of the prominence, Y-year, M-month, D-day, ROT-rotation, L-heliographic longitude, B-heliographic latitude, X-length of prominence (in degrees at the solar surface), H-height of the prominence (in arcsec), I-brightness of the prominence (a subjective estimate derived from a film density), A-area of the prominence (degree x arcsec).

TABLE 1 CONTINUED

T A B L E 1
CATALOGUE OF SOLAR PROMINENCES

NO	Y	M	D	ROT	L	B	X	H	I	A
1	67	5	7.26	1521	17	+63 E	4	26	2	42
2	67	5	7.26	1521	17	+51 E	2	18	2	18
3	67	5	7.26	1521	17	+39 E	4	10	1	15
4	67	5	7.26	1521	17	+23 E	6	20	1	44
5	67	5	7.26	1521	17	+7 E	9	50	2	58
6	67	5	7.26	1521	197	-30 W	23	42	1	178
7	67	5	7.26	1521	17	-6 E	6	52	2	86
8	67	5	7.26	1521	197	+42 W	5	38	2	63
9	67	5	7.26	1521	197	+57 W	5	23	1	72
10	67	5	10.27	1521	337	+60 E	2	35	1	22
11	67	5	10.27	1521	337	+49 E	5	40	1	40
12	67	5	10.27	1521	337	+37 E	5	32	2	65
13	67	5	10.27	1521	337	-7 E	11	40	1	34
14	67	5	10.27	1521	337	-30 E	2	20	2	25
15	67	5	10.27	1521	157	-52 W	10	40	2	98
16	67	5	10.27	1521	157	+25 W	18	55	2	78
17	67	5	10.27	1521	157	+40 W	26	25	2	125
18	67	5	11.23	1521	324	+44 E	17	78	2	150
19	67	5	11.23	1521	324	+16 E	10	30	1	40
20	67	5	11.23	1521	144	-50 W	5	38	1	50
21	67	5	11.23	1521	144	-23 W	4	20	2	38
22	67	5	11.23	1521	144	-12 W	6	25	1	28
23	67	5	11.23	1521	144	+16 W	4	20	1	32
24	67	5	11.23	1521	144	+42 W	2	20	2	35
25	67	5	11.23	1521	144	+53 W	2	20	2	32
26	67	5	11.23	1521	144	+64 W	2	35	2	42
27	67	5	12.23	1521	311	+67 E	4	28	2	35
28	67	5	12.23	1521	311	+48 E	7	110	1	115
29	67	5	12.23	1521	311	+28 E	8	34	1	48
30	67	5	12.23	1521	311	+6 E	1	25	2	23

31	67	5	12.23	1521	131	-53 W	6	28	1	41
32	67	5	12.23	1521	131	-23 W	14	36	2	168
33	67	5	12.23	1521	131	+10 W	9	35	2	50
34	67	5	12.23	1521	131	+26 W	3	30	2	38
35	67	5	12.23	1521	131	+42 W	3	24	2	25
36	67	5	12.23	1521	131	+60 W	4	30	2	68
37	67	5	13.24	1521	298	+64 E	2	35	2	34
38	67	5	13.24	1521	298	+37 E	8	48	1	50
39	67	5	13.24	1521	298	+24 E	3	34	1	18
40	67	5	13.24	1521	298	+4 E	5	40	2	40
41	67	5	13.24	1521	118	-53 W	4	25	2	50
42	67	5	13.24	1521	118	-36 W	6	20	2	60
43	67	5	13.24	1521	118	-11 W	5	23	2	24
44	67	5	13.24	1521	118	+30 W	10	53	3	111
45	67	5	13.24	1521	118	+60 W	4	28	1	42
46	67	5	14.33	1521	283	+65 E	5	40	2	78
47	67	5	14.33	1521	283	+40 E	3	28	2	40
48	67	5	14.33	1521	283	+21 E	12	36	1	55
49	67	5	14.33	1521	283	-9 E	9	25	1	25
50	67	5	14.33	1521	283	-30 E	14	52	3	170
51	67	5	14.33	1521	103	-52 W	4	32	2	58
52	67	5	14.33	1521	103	+35 W	1	50	1	20
53	67	5	14.33	1521	103	+60 W	8	50	2	155
54	67	5	21.33	1521	191	+66 E	10	42	2	254
55	67	5	21.33	1521	191	+44 E	4	40	2	62
56	67	5	21.33	1521	191	+28 E	11	33	2	145
57	67	5	21.33	1521	191	-1 E	3	35	1	55
58	67	5	21.33	1521	191	-16 E	4	21	2	33
59	67	5	21.33	1521	191	-48 E	12	161	1	274
60	67	5	21.33	1521	11	+33 W	11	32	1	119
61	67	5	21.33	1521	11	+62 W	2	24	2	42
62	67	5	21.33	1521	11	-10 W	12	108	2	563
63	67	5	21.33	1521	11	-55 W	4	40	1	107
64	67	5	28.44	1521	97	+66 E	3	29	2	56
65	67	5	28.44	1521	97	+51 E	2	33	2	38
66	67	5	28.44	1521	97	+23 E	8	49	2	104
67	67	5	28.44	1521	97	-50 E	6	50	1	108
68	67	5	28.44	1521	277	+66 W	3	30	1	30
69	67	5	28.44	1521	277	-43 W	27	121	2	840
70	67	5	29.35	1522	85	+67 E	3	38	2	68

TABLE 1 CONTINUED

TABLE 1 CONTINUED

71 67	5	29.35	1522	85	+29 E	5	37	2	81	111 67	7	2.19	1523	358	-49 E	2	37	1	23
72 67	5	29.35	1522	85	-24 E	1	31	2	30	112 67	7	2.19	1523	358	-54 E	4	11	2	22
73 67	5	29.35	1522	85	-48 E	8	52	1	128	113 67	7	2.19	1523	178	-54 W	8	81	2	256
74 67	5	29.35	1522	265	+65 W	4	68	2	68	114 67	7	2.19	1523	178	-30 W	4	22	2	42
75 67	5	29.35	1522	265	+11 W	14	48	1	256	115 67	7	2.19	1523	178	-3 W	9	70	1	96
76 67	5	29.35	1522	265	-32 W	16	53	2	288	116 67	7	2.19	1523	178	+7 W	6	19	1	24
77 67	5	30.43	1522	71	+65 E	7	30	2	74	117 67	7	2.19	1523	178	+13 W	4	21	2	30
78 67	5	30.43	1522	71	+44 E	10	40	1	110	118 67	7	2.19	1523	178	+35 W	10	42	3	278
79 67	5	30.43	1522	71	+29 E	7	59	2	123	119 67	7	2.19	1523	178	+66 W	4	30	2	69
80 67	5	30.43	1522	71	-22 E	5	50	1	48	120 67	7	7.25	1523	292	+64 E	1	11	1	6
81 67	5	30.43	1522	71	-50 E	4	48	1	92	121 67	7	7.25	1523	292	+52 E	1	19	1	11
82 67	5	30.43	1522	251	+65 W	12	56	2	223	122 67	7	7.25	1523	292	+39 E	3	21	1	14
83 67	5	30.43	1522	251	+7 W	13	162	2	465	123 67	7	7.25	1523	292	+26 E	1	20	1	10
84 67	5	30.43	1522	251	-30 W	21	48	3	257	124 67	7	7.25	1523	292	+19 E	2	13	1	11
85 67	6	23.30	1522	116	+65 E	13	43	2	323	125 67	7	7.25	1523	292	-9 E	4	30	1	31
86 67	6	23.30	1522	116	+46 E	5	24	1	68	126 67	7	7.25	1523	292	-45 E	2	27	1	46
87 67	6	23.30	1522	116	-51 E	2	20	1	32	127 67	7	7.25	1523	292	-58 E	4	30	1	48
88 67	6	23.30	1522	296	-18 W	6	29	1	86	128 67	7	7.25	1523	292	-74 E	1	20	1	10
89 67	6	23.30	1522	296	+34 W	17	98	1	69	129 67	7	7.25	1523	292	-85 E	2	31	1	23
90 67	6	23.30	1522	296	+52 W	3	19	1	11	130 67	7	7.25	1523	112	-50 W	7	48	2	145
91 67	6	26.23	1523	77	+59 E	16	42	2	208	131 67	7	7.25	1523	112	-22 W	1	29	1	17
92 67	6	26.23	1523	77	+22 E	9	49	3	195	132 67	7	7.25	1523	112	+31 W	2	10	1	12
93 67	6	26.23	1523	77	-17 E	9	52	1	51	133 67	7	7.25	1523	112	+69 W	7	63	2	285
94 67	6	26.23	1523	77	-51 E	3	36	1	28	134 67	7	11.31	1523	238	+41 E	4	60	1	26
95 67	6	26.23	1523	257	-32 W	1	18	1	14	135 67	7	11.31	1523	238	+27 E	15	64	1	274
96 67	6	26.23	1523	257	+10 W	6	19	2	43	136 67	7	11.31	1523	238	+10 E	2	29	1	13
97 67	6	26.23	1523	257	+35 W	13	50	3	148	137 67	7	11.31	1523	238	-5 E	2	18	1	26
98 67	7	1.25	1523	11	+63 E	1	31	1	18	138 67	7	11.31	1523	238	-22 E	4	30	1	31
99 67	7	1.25	1523	11	+44 E	5	18	1	47	139 67	7	11.31	1523	238	-31 E	1	27	1	9
100 67	7	1.25	1523	11	+32 E	4	22	2	44	140 67	7	11.31	1523	238	-38 E	3	25	1	39
101 67	7	1.25	1523	11	+24 E	7	28	2	68	141 67	7	11.31	1523	58	-55 W	2	19	1	19
102 67	7	1.25	1523	11	-19 E	3	17	1	29	142 67	7	11.31	1523	58	-36 W	4	61	1	60
103 67	7	1.25	1523	11	-50 E	3	33	1	36	143 67	7	11.31	1523	58	-23 W	6	34	1	64
104 67	7	1.25	1523	191	-54 W	6	89	2	241	144 67	7	11.31	1523	58	-1 W	7	91	1	91
105 67	7	1.25	1523	191	+32 W	6	20	2	53	145 67	7	11.31	1523	58	+28 W	8	39	2	104
106 67	7	1.25	1523	191	+65 W	5	22	2	45	146 67	7	11.31	1523	58	+60 W	22	60	2	732
107 67	7	2.19	1523	358	+53 E	3	20	1	23	147 67	7	12.33	1523	255	+73 E	1	11	1	10
108 67	7	2.19	1523	358	+32 E	4	20	1	47	148 67	7	12.33	1523	255	+39 E	3	19	1	22
109 67	7	2.19	1523	358	+18 E	7	37	2	135	149 67	7	12.33	1523	255	+28 E	4	45	1	79
110 67	7	2.19	1523	358	-31 E	2	20	2	38	150 67	7	12.33	1523	255	+20 E	4	20	2	24

TABLE 1 CONTINUED

TABLE 1 CONTINUED

151 67	7	12.33	1523	225	- 7 E	5	31	2	68	191 67	7	15.19	1523	7	+47 W	5	69	2	166
152 67	7	12.33	1523	225	-32 E	2	16	2	21	192 67	7	23.33	1524	79	+68 E	10	60	2	110
153 67	7	12.33	1523	225	-50 E	2	20	1	18	193 67	7	23.33	1524	79	+28 E	22	110	1	190
154 67	7	12.33	1523	45	-38 W	4	69	2	78	194 67	7	23.33	1524	79	+13 E	9	60	3	130
155 67	7	12.33	1523	45	-11 W	16	67	2	361	195 67	7	23.33	1524	79	- 3 E	3	50	1	30
156 67	7	12.33	1523	45	+25 W	1	10	1	11	196 67	7	23.33	1524	79	-36 E	1	20	1	20
157 67	7	12.33	1523	45	+31 W	1	11	1	12	197 67	7	23.33	1524	79	-49 E	2	30	1	50
158 67	7	12.33	1523	45	+49 W	6	62	1	143	198 67	7	23.33	1524	79	-53 E	1	10	1	10
159 67	7	12.33	1523	45	+60 W	20	53	3	678	199 67	7	23.33	1524	259	-52 W	1	20	1	20
160 67	7	13.21	1523	213	+72 E	2	41	1	44	200 67	7	23.33	1524	259	- 3 W	1	20	1	20
161 67	7	13.21	1523	213	+34 E	5	18	1	38	201 67	7	23.33	1524	259	+28 W	4	30	2	60
162 67	7	13.21	1523	213	+20 E	8	89	1	71	202 67	7	23.33	1524	259	+54 W	2	20	1	30
163 67	7	13.21	1523	213	- 8 E	8	41	2	139	203 67	7	24.40	1524	65	+67 E	8	30	2	150
164 67	7	13.21	1523	213	-15 E	1	10	1	9	204 67	7	24.40	1524	65	+42 E	1	20	1	20
165 67	7	13.21	1523	213	-51 E	6	43	2	41	205 67	7	24.40	1524	65	+30 E	8	20	1	80
166 67	7	13.21	1523	33	-57 W	3	26	1	47	206 67	7	24.40	1524	65	+ 4 E	1	20	1	20
167 67	7	13.21	1523	33	-37 W	7	39	2	108	207 67	7	24.40	1524	65	-33 E	2	10	1	20
168 67	7	13.21	1523	33	- 9 W	11	52	3	179	208 67	7	24.40	1524	65	-50 E	4	60	1	80
169 67	7	13.21	1523	33	+ 1 W	1	20	2	8	209 67	7	24.40	1524	245	-34 W	3	20	1	40
170 67	7	13.21	1523	33	+ 5 W	1	21	1	9	210 67	7	24.40	1524	245	-27 W	3	20	1	50
171 67	7	13.21	1523	33	+23 W	4	71	3	113	211 67	7	24.40	1524	245	+13 W	1	10	1	10
172 67	7	13.21	1523	33	+49 W	6	58	3	56	212 67	7	24.40	1524	245	+17 W	2	20	1	20
173 67	7	13.21	1523	33	+66 W	17	44	3	357	213 67	7	24.40	1524	245	+22 W	3	10	1	20
174 67	7	14.21	1523	200	+68 E	6	20	2	22	214 67	7	24.40	1524	245	+29 W	3	30	2	40
175 67	7	14.21	1523	200	+43 E	1	13	1	14	215 67	7	25.24	1524	54	+65 E	11	40	2	280
176 67	7	14.21	1523	200	+27 E	2	31	1	17	216 67	7	25.24	1524	54	+32 E	4	20	2	30
177 67	7	14.21	1523	200	+ 2 E	1	20	1	15	217 67	7	25.24	1524	54	+27 E	1	10	1	10
178 67	7	14.21	1523	200	-13 E	3	19	1	8	218 67	7	25.24	1524	54	+14 E	5	40	1	30
179 67	7	14.21	1523	200	-49 E	9	70	1	122	219 67	7	25.24	1524	54	+ 8 E	5	60	1	40
180 67	7	14.21	1523	20	-20 W	1	14	1	8	220 67	7	25.24	1524	54	- 6 E	1	20	2	20
181 67	7	14.21	1523	20	- 4 W	5	50	1	71	221 67	7	25.24	1524	54	-20 E	11	80	2	100
182 67	7	14.21	1523	20	+44 W	8	71	2	94	222 67	7	25.24	1524	54	-53 E	4	20	1	50
183 67	7	14.21	1523	20	+64 W	16	28	2	123	223 67	7	25.24	1524	234	-35 W	1	20	2	20
184 67	7	15.19	1523	187	+68 E	11	38	2	113	224 67	7	25.24	1524	234	-28 W	8	20	2	90
185 67	7	15.19	1523	187	+27 E	7	30	2	77	225 67	7	25.24	1524	234	-21 W	2	20	1	40
186 67	7	15.19	1523	187	- 1 E	5	20	1	22	226 67	7	25.24	1524	234	- 9 W	2	20	2	10
187 67	7	15.19	1523	187	-43 E	9	41	2	71	227 67	7	25.24	1524	234	+21 W	6	20	2	60
188 67	7	15.19	1523	7	-59 W	3	33	2	34	228 67	7	25.24	1524	234	+25 W	2	10	1	20
189 67	7	15.19	1523	7	-44 W	1	23	2	27	229 67	7	25.24	1524	234	+30 W	1	20	1	20
190 67	7	15.19	1523	7	+34 W	13	132	1	72	230 67	7	25.24	1524	234	+33 W	1	11	1	10

TABLE 1 CONTINUED

TABLE 1 CONTINUED

231 67	7	26.26	1524	41	+64 E	15	58	2	533	271 67	8	4.28	1524	282	+59 E	2	162	2	23
232 67	7	26.26	1524	41	+52 E	1	17	1	15	272 67	8	4.28	1524	282	+27 E	2	30	1	41
233 67	7	26.26	1524	41	+33 E	1	12	2	12	273 67	8	4.28	1524	282	-20 E	1	19	2	13
234 67	7	26.26	1524	41	-28 E	4	22	2	58	274 67	8	4.28	1524	282	-51 E	11	20	1	84
235 67	7	26.26	1524	41	-37 E	5	28	1	61	275 67	8	4.28	1524	102	-60 W	1	31	1	15
236 67	7	26.26	1524	41	-53 E	2	21	1	30	276 67	8	4.28	1524	102	-35 W	5	30	2	88
237 67	7	26.26	1524	221	+39 W	4	40	2	69	277 67	8	4.28	1524	102	-26 W	2	29	1	14
238 67	7	27.20	1524	28	+59 E	30	78	3	755	278 67	8	4.28	1524	102	+8 W	2	26	1	22
239 67	7	27.20	1524	28	+28 E	15	81	3	188	279 67	8	4.28	1524	102	+19 W	2	20	2	17
240 67	7	27.20	1524	28	-27 E	1	29	1	26	280 67	8	4.28	1524	102	+23 W	1	38	3	28
241 67	7	27.20	1524	208	-59 W	5	21	2	51	281 67	8	4.28	1524	102	+44 W	13	49	2	195
242 67	7	27.20	1524	208	-42 W	1	11	1	12	282 67	8	4.28	1524	102	+62 W	4	12	1	40
243 67	7	27.20	1524	208	-34 W	3	20	1	39	283 67	8	6.32	1524	255	+77 E	10	41	1	46
244 67	7	27.20	1524	208	+20 W	6	24	3	68	284 67	8	6.32	1524	255	+19 E	5	31	2	107
245 67	7	27.20	1524	208	+38 W	9	42	2	105	285 67	8	6.32	1524	255	+5 E	4	43	1	37
246 67	7	27.20	1524	208	+59 W	1	30	2	28	286 67	8	6.32	1524	255	-10 E	4	39	1	56
247 67	7	29.20	1524	2	+62 E	11	30	2	153	287 67	8	6.32	1524	255	-20 E	4	106	2	115
248 67	7	29.20	1524	2	+40 E	26	98	2	474	288 67	8	6.32	1524	75	-57 W	3	14	1	30
249 67	7	29.20	1524	182	-56 W	11	165	2	370	289 67	8	6.32	1524	75	-39 W	2	17	1	12
250 67	7	29.20	1524	182	-32 W	7	29	1	51	290 67	8	6.32	1524	75	-19 W	2	30	1	22
251 67	7	29.20	1524	182	-7 W	9	32	1	132	291 67	8	6.32	1524	75	-4 W	1	28	1	19
252 67	7	29.20	1524	182	+27 W	4	20	2	31	292 67	8	6.32	1524	75	+3 W	1	8	1	9
253 67	7	29.20	1524	182	+43 W	2	30	2	25	293 67	8	6.32	1524	75	+40 W	16	31	2	122
254 67	7	29.20	1524	182	+63 W	5	49	1	62	294 67	8	6.32	1524	75	+66 W	3	19	2	30
255 67	7	30.20	1524	349	+35 E	12	74	2	342	295 67	8	9.20	1524	217	+46 E	21	81	1	178
256 67	7	30.20	1524	349	+22 E	9	41	2	79	296 67	8	9.20	1524	217	-3 E	1	40	1	19
257 67	7	30.20	1524	349	-41 E	3	56	2	61	297 67	8	9.20	1524	217	-9 E	3	31	1	23
258 67	7	30.20	1524	169	-55 W	6	39	2	77	298 67	8	9.20	1524	217	-28 E	9	51	2	215
259 67	7	30.20	1524	169	-32 W	7	33	2	48	299 67	8	9.20	1524	217	-50 E	2	11	1	9
260 67	7	30.20	1524	169	-23 W	2	11	1	12	300 67	8	9.20	1524	217	-56 E	1	30	1	18
261 67	7	30.20	1524	169	-8 W	6	30	1	60	301 67	8	9.20	1524	37	-54 W	6	31	2	73
262 67	7	30.20	1524	169	-1 W	3	32	1	14	302 67	8	9.20	1524	37	+27 W	9	63	2	168
263 67	7	30.20	1524	169	+35 W	23	51	3	252	303 67	8	9.20	1524	37	+68 W	13	40	2	101
264 67	7	30.20	1524	169	+73 W	6	50	2	83	304 67	8	10.21	1524	203	+41 E	2	40	1	37
265 67	8	1.25	1524	322	+34 E	8	38	3	116	305 67	8	10.21	1524	203	+58 E	3	13	2	19
266 67	8	1.25	1524	322	-53 E	8	58	2	198	306 67	8	10.21	1524	203	+66 E	2	13	1	15
267 67	8	1.25	1524	142	-31 W	3	22	2	19	307 67	8	10.21	1524	203	-1 E	1	30	1	29
268 67	8	1.25	1524	142	+23 W	4	20	2	38	308 67	8	10.21	1524	203	-27 E	10	43	3	192
269 67	8	1.25	1524	142	+38 W	6	19	2	51	309 67	8	10.21	1524	23	-68 W	5	21	2	34
270 67	8	1.25	1524	142	+63 W	4	31	2	28	310 67	8	10.21	1524	23	-29 W	1	9	1	8

TABLE 1 CONTINUED

311 67	8	10.21	1524	23	- 8 W	1	20	1	13	351 67	8	18.35	1524	96	-25 E	18	40	2	90
312 67	8	10.21	1524	23	+13 W	8	40	2	51	352 67	8	18.35	1524	96	-53 E	27	30	2	80
313 67	8	10.21	1524	23	+42 W	44	201	2	555	353 67	8	18.35	1524	276	-56 W	2	20	2	25
314 67	8	10.21	1524	23	+68 W	4	28	2	76	354 67	8	18.35	1524	276	-39 W	2	20	2	25
315 67	8	11.21	1524	190	+29 E	2	36	2	51	355 67	8	18.35	1524	276	- 9 W	16	20	1	30
316 67	8	11.21	1524	190	-30 E	6	49	3	148	356 67	8	18.35	1524	276	+17 W	3	20	2	40
317 67	8	11.21	1524	10	-62 W	1	11	1	8	357 67	8	18.35	1524	276	+56 W	1	10	2	10
318 67	8	11.21	1524	10	-56 W	2	7	1	9	358 67	8	19.26	1525	84	+71 E	5	45	2	110
319 67	8	11.21	1524	10	- 7 W	3	30	1	26	359 67	8	19.26	1525	84	+53 E	7	50	2	270
320 67	8	11.21	1524	10	+12 W	3	30	2	31	360 67	8	19.26	1525	84	+26 E	15	170	1	140
321 67	8	11.21	1524	10	+23 W	6	9	1	27	361 67	8	19.26	1525	84	- 2 E	1	30	1	20
322 67	8	11.21	1524	10	+05 W	18	41	2	261	362 67	8	19.26	1525	84	-14 E	1	30	3	20
323 67	8	16.27	1524	123	+73 E	11	35	2	140	363 67	8	19.26	1525	84	-31 E	1	30	1	10
324 67	8	16.27	1524	123	+65 E	1	20	2	15	364 67	8	19.26	1525	84	-59 E	4	20	1	50
325 67	8	16.27	1524	123	+54 E	16	60	2	570	365 67	8	19.26	1525	264	-39 W	10	40	2	90
326 67	8	16.27	1524	123	+18 E	14	60	2	270	366 67	8	19.26	1525	264	0 W	11	30	1	35
327 67	8	16.27	1524	123	-20 E	16	20	1	75	367 67	8	19.26	1525	264	+33 W	4	15	1	20
328 67	8	16.27	1524	123	-51 E	10	50	1	70	368 67	8	21.40	1525	56	+78 E	1	10	1	10
329 67	8	16.27	1524	303	-62 W	1	10	2	10	369 67	8	21.40	1525	56	+75 E	4	20	2	40
330 67	8	16.27	1524	303	-55 W	1	10	2	10	370 67	8	21.40	1525	56	+68 E	5	20	2	50
331 67	8	16.27	1524	303	-40 W	12	115	1	90	371 67	8	21.40	1525	56	+47 E	15	30	2	120
332 67	8	16.27	1524	303	-11 W	2	20	2	25	372 67	8	21.40	1525	56	+20 E	16	110	1	80
333 67	8	16.27	1524	303	+21 W	2	10	2	15	373 67	8	21.40	1525	56	-48 E	2	30	2	30
334 67	8	16.27	1524	303	+52 W	4	40	1	35	374 67	8	21.40	1525	236	-28 W	9	20	1	50
335 67	8	16.27	1524	303	+66 W	9	50	2	110	375 67	8	21.40	1525	236	- 9 W	7	10	1	20
336 67	8	17.26	1524	110	+71 E	7	45	2	150	376 67	8	21.40	1525	236	+ 7 W	1	10	1	10
337 67	8	17.26	1524	110	+50 E	18	60	2	650	377 67	8	24.27	1525	18	+73 E	6	40	2	90
338 67	8	17.26	1524	110	+28 E	12	70	1	90	378 67	8	24.27	1525	18	+30 E	9	50	2	180
339 67	8	17.26	1524	110	-20 E	13	20	1	40	379 67	8	24.27	1525	18	+ 6 E	7	40	1	40
340 67	8	17.26	1524	110	-52 E	18	50	1	150	380 67	8	24.27	1525	18	-52 E	12	30	1	90
341 67	8	17.26	1524	290	-60 W	4	20	1	30	381 67	8	24.27	1525	198	-27 W	25	30	2	290
342 67	8	17.26	1524	290	-43 W	6	70	1	70	382 67	8	24.27	1525	198	+ 3 W	14	30	1	190
343 67	8	17.26	1524	290	-10 W	1	10	1	10	383 67	8	24.27	1525	198	+50 W	23	30	2	70
344 67	8	17.26	1524	290	- 5 W	2	30	1	30	384 67	8	25.27	1525	5	+70 E	6	40	2	100
345 67	8	17.26	1524	290	+23 W	3	35	3	60	385 67	8	25.27	1525	5	+44 E	5	20	2	80
346 67	8	17.26	1524	290	+70 W	4	40	1	80	386 67	8	25.27	1525	5	+29 E	5	30	2	80
347 67	8	18.35	1524	96	+73 E	7	40	2	100	387 67	8	25.27	1525	5	+ 4 E	20	70	1	40
348 67	8	18.35	1524	96	+50 E	10	70	2	210	388 67	8	25.27	1525	5	-50 E	8	90	1	210
349 67	8	18.35	1524	96	+23 E	21	150	2	190	389 67	8	25.27	1525	185	-42 W	13	30	2	130
350 67	8	18.35	1524	96	+ 2 E	2	10	1	20	390 67	8	25.27	1525	185	-25 W	17	40	2	70

TABLE 1 CONTINUED

TABLE 1 CONTINUED

391 67	8	25.27	1525	185	+ 8 W	6	40	1	180	431 67	9	15.27	1526	87	+37 E	7	40	2	130
392 67	8	25.27	1525	185	+25 W	12	30	3	40	432 67	9	15.27	1526	87	+11 E	24	110	2	310
393 67	8	25.27	1525	135	+49 W	12	30	1	110	433 67	9	15.27	1526	87	-20 E	3	10	1	10
394 67	9	3.25	1525	246	+38 E	1	30	1	20	434 67	9	15.27	1526	87	-38 E	5	30	1	70
395 67	9	3.25	1525	246	-10 E	6	70	1	90	435 67	9	15.27	1526	87	-53 E	2	20	1	20
396 67	9	3.25	1525	246	-33 E	6	60	1	155	436 67	9	15.27	1526	267	-60 W	7	20	1	40
397 67	9	3.25	1525	246	-45 E	5	20	1	30	437 67	9	15.27	1526	267	+ 2 W	5	40	1	50
398 67	9	3.25	1525	246	-55 E	3	10	1	30	438 67	9	15.27	1526	267	+15 W	9	30	1	30
399 67	9	3.25	1525	66	-52 W	2	20	2	30	439 67	9	15.27	1526	267	+41 W	11	50	1	70
400 67	9	3.25	1525	66	+ 3 W	23	90	2	160	440 67	9	15.27	1526	267	+60 W	4	20	1	20
401 67	9	3.25	1525	66	+45 W	25	30	1	100	441 67	9	15.27	1526	267	+71 W	1	10	1	10
402 67	9	4.36	1525	231	+38 E	6	10	1	20	442 67	9	15.27	1526	267	+82 W	2	10	1	20
403 67	9	4.36	1525	231	- 4 E	26	70	1	80	443 67	9	23.26	1526	342	+72 E	4	70	2	90
404 67	9	4.36	1525	231	-33 E	6	40	1	70	444 67	9	23.26	1526	342	+20 E	1	20	1	25
405 67	9	4.36	1525	51	-80 W	1	10	1	10	445 67	9	23.26	1526	342	-12 E	1	10	2	10
406 67	9	4.36	1525	51	-54 W	7	20	1	30	446 67	9	23.26	1526	342	-50 E	2	20	1	25
407 67	9	4.36	1525	51	-25 W	8	30	1	40	447 67	9	23.26	1526	162	-34 W	5	20	2	35
408 67	9	4.36	1525	51	- 5 W	5	120	1	100	448 67	9	23.26	1526	162	+22 W	1	30	2	40
409 67	9	4.36	1525	51	+15 W	7	40	2	40	449 67	9	24.25	1526	329	+71 E	1	30	1	25
410 67	9	4.36	1525	51	+40 W	5	40	1	150	450 67	9	24.25	1526	329	- 6 E	4	40	2	80
411 67	9	4.36	1525	51	+59 W	3	20	1	40	451 67	9	24.25	1526	329	-52 E	6	30	2	90
412 67	9	6.28	1525	206	+60 E	18	50	1	80	452 67	9	24.25	1526	149	-35 W	2	30	1	30
413 67	9	6.28	1525	206	-21 E	30	70	2	470	453 67	9	24.25	1526	149	+22 W	3	20	2	20
414 67	9	6.28	1525	206	-54 E	6	40	1	60	454 67	9	25.30	1526	315	+72 E	4	10	1	25
415 67	9	6.28	1525	26	-64 W	16	50	1	110	455 67	9	25.30	1526	315	+50 E	1	20	1	20
416 67	9	6.28	1525	26	+20 W	10	50	1	120	456 67	9	25.30	1526	315	+22 E	15	50	2	55
417 67	9	6.28	1525	26	+63 W	4	20	2	30	457 67	9	25.30	1526	315	- 4 E	9	150	2	160
418 67	9	7.32	1525	192	+67 E	1	40	1	15	458 67	9	25.30	1526	315	-25 E	7	20	1	70
419 67	9	7.32	1525	192	+52 E	13	40	1	40	459 67	9	25.30	1526	135	-45 W	15	20	1	30
420 67	9	7.32	1525	192	+36 E	1	20	1	10	460 67	9	25.30	1526	135	-11 W	4	30	1	35
421 67	9	7.32	1525	192	+19 E	3	50	2	40	461 67	9	25.30	1526	135	+23 W	1	40	1	20
422 67	9	7.32	1525	192	+11 E	1	10	1	10	462 67	9	25.30	1526	135	+57 W	10	50	2	65
423 67	9	7.32	1525	192	+ 3 E	1	40	1	25	463 67	9	29.26	1526	263	+70 E	6	10	2	40
424 67	9	7.32	1525	192	-20 E	27	150	1	230	464 67	9	29.26	1526	263	+40 E	1	20	2	15
425 67	9	7.32	1525	12	-62 W	19	80	3	250	465 67	9	29.26	1526	263	+22 E	22	60	2	270
426 67	9	7.32	1525	12	+ 1 W	2	40	3	25	466 67	9	29.26	1526	263	-13 E	1	20	1	15
427 67	9	7.32	1525	12	+17 W	17	60	2	210	467 67	9	29.26	1526	263	-40 E	4	80	2	90
428 67	9	7.32	1525	12	+63 W	3	20	2	30	468 67	9	29.26	1526	263	-55 E	6	100	2	370
429 67	9	15.27	1526	87	+69 E	3	20	2	40	469 67	9	29.26	1526	83	-60 W	5	30	1	50
430 67	9	15.27	1526	87	+52 E	10	20	2	130	470 67	9	29.26	1526	83	-46 W	7	20	1	30

TABLE 1 CONTINUED

TABLE 1 CONTINUED

471 67 9	29.26	1526	83	-13 W 11	70 1	110	511 67 10	12.27	1527	271	+68 W 10	40 1	80
472 67 9	29.26	1526	83	+4 W 4	20 1	40	512 67 10	14.28	1527	64	+68 E 16	20 1	40
473 67 9	29.26	1526	83	+43 W 4	30 3	70	513 67 10	14.28	1527	64	+44 E 10	10 1	50
474 67 9	30.25	1526	250	+69 E 4	10 2	20	514 67 10	14.28	1527	64	+15 E 11	30 1	30
475 67 9	30.25	1526	250	+39 E 1	10 1	10	515 67 10	14.28	1527	64	-21 E 21	20 1	40
476 67 9	30.25	1526	250	+20 E 2	30 2	110	516 67 10	14.28	1527	64	-43 E 1	10 1	10
477 67 9	30.25	1526	250	-25 E 3	10 1	15	517 67 10	14.28	1527	64	-54 E 7	110 2	140
478 67 9	30.25	1526	250	-39 E 6	30 1	35	518 67 10	14.28	1527	244	-26 W 9	30 2	45
479 67 9	30.25	1526	250	-50 E 6	80 3	270	519 67 10	14.28	1527	244	-11 W 1	40 2	30
480 67 9	30.25	1526	70	-57 W 6	50 2	60	520 67 10	14.28	1527	244	+32 W 16	50 2	210
481 67 9	30.25	1526	70	-42 W 2	20 1	20	521 67 10	14.28	1527	244	+50 W 1	10 1	10
482 67 9	30.25	1526	70	-5 W 15	80 2	150	522 67 10	14.28	1527	244	+64 W 6	40 2	60
483 67 9	30.25	1526	70	+9 W 2	10 1	20	523 67 10	15.26	1527	52	+72 E 2	10 2	20
484 67 9	30.25	1526	70	+25 W 1	10 1	10	524 67 10	15.26	1527	52	+56 E 2	20 2	25
485 67 9	30.25	1526	70	+32 W 2	20 1	25	525 67 10	15.26	1527	52	+44 E 15	50 2	230
486 67 9	30.25	1526	70	+44 W 1	30 3	25	526 67 10	15.26	1527	52	+8 E 7	10 1	25
487 67 9	30.25	1526	70	+72 W 1	10 2	10	527 67 10	15.26	1527	52	-26 E 6	20 2	100
488 67 9	30.25	1526	70	+83 W 1	40 1	10	528 67 10	15.26	1527	52	-34 E 5	30 2	50
489 67 10	7.31	1526	156	+45 E 9	30 1	90	529 67 10	15.26	1527	52	-80 E 6	30 1	55
490 67 10	7.31	1526	156	+18 E 1	30 2	10	530 67 10	15.26	1527	232	-55 W 3	50 1	40
491 67 10	7.31	1526	156	+13 E 1	20 2	10	531 67 10	15.26	1527	232	-29 W 4	40 1	40
492 67 10	7.31	1526	156	-8 E 9	20 1	35	532 67 10	15.26	1527	232	-20 W 3	20 1	30
493 67 10	7.31	1526	156	-32 E 5	20 2	50	533 67 10	15.26	1527	232	-9 W 3	50 3	70
494 67 10	7.31	1526	156	-56 E 1	20 1	20	534 67 10	15.26	1527	232	+9 W 2	10 1	20
495 67 10	7.31	1526	336	-53 W 4	20 1	40	535 67 10	15.26	1527	232	+38 W 10	50 2	310
496 67 10	7.31	1526	336	-34 W 2	30 1	60	536 67 10	15.26	1527	232	+60 W 8	50 1	80
497 67 10	7.31	1526	336	+5 W 1	30 1	15	537 67 10	17.35	1527	24	+71 E 7	10 2	40
498 67 10	7.31	1526	336	+10 W 1	40 1	20	538 67 10	17.35	1527	24	+55 E 1	20 2	20
499 67 10	7.31	1526	336	+32 W 4	40 3	50	539 67 10	17.35	1527	24	+47 E 2	20 2	25
500 67 10	7.31	1526	336	+61 W 4	50 3	110	540 67 10	17.35	1527	24	+23 E 7	40 2	100
501 67 10	12.27	1527	91	+68 E 1	10 1	10	541 67 10	17.35	1527	24	+8 E 1	10 1	10
502 67 10	12.27	1527	91	+27 E 3	20 2	15	542 67 10	17.35	1527	24	-1 E 6	30 1	30
503 67 10	12.27	1527	91	+10 E 2	10 1	15	543 67 10	17.35	1527	24	-13 E 1	30 1	25
504 67 10	12.27	1527	91	-7 E 2	20 1	35	544 67 10	17.35	1527	24	-30 E 6	40 1	80
505 67 10	12.27	1527	91	-40 E 12	100 1	110	545 67 10	17.35	1527	24	-53 E 4	20 1	30
506 67 10	12.27	1527	271	-59 W 2	20 1	20	546 67 10	17.35	1527	204	-48 W 14	110 1	10
507 67 10	12.27	1527	271	-44 W 5	10 1	30	547 67 10	17.35	1527	204	-83 W 14	110 1	350
508 67 10	12.27	1527	271	-23 W 2	40 2	55	548 67 10	17.35	1527	204	+39 W 2	10 1	20
509 67 10	12.27	1527	271	+12 W 5	80 1	120	549 67 10	19.42	1527	357	+71 E 7	40 2	90
510 67 10	12.27	1527	271	+36 W 19	40 2	100	550 67 10	19.42	1527	357	+28 E 14	40 3	260

TABLE 1 CONTINUED

TABLE 1 CONTINUED

551 67 10	19.42	1527	357	-7 E	1 20	1 15	591 67 11	1.33	1527	186	+69 E	7 16	1 21
552 67 10	19.42	1527	357	-37 E	5 50	2 50	592 67 11	1.33	1527	186	+20 E	18 50	2 385
553 67 10	19.42	1527	357	-49 E	4 40	2 40	593 67 11	1.33	1527	186	-45 E	14 69	2 493
554 67 10	19.42	1527	177	-43 W	4 10	2 30	594 67 11	1.33	1527	6	-58 W	2 11	1 13
555 67 10	19.42	1527	177	+16 W	10 60	2 40	595 67 11	1.33	1527	6	-5 W	1 10	1 9
556 67 10	20.31	1527	345	+71 E	8 10	2 160	596 67 11	1.33	1527	6	+13 W	4 16	2 38
557 67 10	20.31	1527	345	+32 E	7 50	2 70	597 67 11	1.33	1527	6	+44 W	5 59	1 84
558 67 10	20.31	1527	345	-31 E	4 30	2 80	598 67 11	1.33	1527	6	+51 W	2 18	2 24
559 67 10	20.31	1527	345	-38 E	1 110	1 45	599 67 11	1.33	1527	6	+66 W	3 15	2 21
560 67 10	20.31	1527	345	-51 E	3 20	1 30	600 67 11	2.31	1527	173	+64 E	7 19	1 31
561 67 10	20.31	1527	165	-42 W	3 40	2 50	601 67 11	2.31	1527	173	+21 E	17 40	2 344
562 67 10	22.20	1527	320	+22 E	1 10	1 10	602 67 11	2.31	1527	173	-45 E	16 117	2 645
563 67 10	22.20	1527	320	+11 E	3 20	2 30	603 67 11	2.31	1527	333	-30 W	1 12	1 9
564 67 10	22.20	1527	320	-4 E	5 20	2 55	604 67 11	2.31	1527	333	-21 W	1 17	1 14
565 67 10	22.20	1527	320	-43 E	9 20	1 60	605 67 11	2.31	1527	333	-6 W	1 21	1 11
566 67 10	22.20	1527	140	-31 W	1 10	1 15	606 67 11	2.31	1527	333	+28 W	17 93	2 305
567 67 10	22.20	1527	140	-8 W	5 30	2 60	607 67 11	2.31	1527	333	+48 W	6 40	1 98
568 67 10	22.20	1527	140	+43 W	5 30	1 65	608 67 11	2.31	1527	333	+65 W	4 26	2 54
569 67 10	23.28	1527	306	+45 E	1 10	2 10	609 67 11	7.45	1527	105	+41 E	1 40	1 15
570 67 10	23.28	1527	306	+26 E	4 20	2 35	610 67 11	7.45	1527	105	+28 E	1 50	1 20
571 67 10	23.28	1527	306	+12 E	1 10	1 10	611 67 11	7.45	1527	105	+10 E	10 30	1 70
572 67 10	23.28	1527	306	-26 E	10 50	1 240	612 67 11	7.45	1527	105	-8 E	4 10	1 25
573 67 10	23.28	1527	306	-47 E	14 40	2 220	613 67 11	7.45	1527	105	-20 E	9 20	1 50
574 67 10	23.28	1527	126	-8 W	3 40	1 65	614 67 11	7.45	1527	285	-89 W	1 10	2 10
575 67 10	23.28	1527	126	+20 W	6 30	1 150	615 67 11	7.45	1527	285	-57 W	5 30	2 55
576 67 10	23.28	1527	126	+44 W	1 20	1 15	616 67 11	7.45	1527	285	-38 W	6 50	1 80
577 67 10	24.30	1527	292	+20 E	13 20	1 65	617 67 11	7.45	1527	285	-15 W	24 70	2 340
578 67 10	24.30	1527	292	-22 E	15 40	2 210	618 67 11	7.45	1527	285	+22 W	19 40	2 240
579 67 10	24.30	1527	292	-53 E	2 30	1 35	619 67 11	7.45	1527	285	+42 W	4 40	2 70
580 67 10	24.30	1527	112	+35 W	3 160	3 180	620 67 11	7.45	1527	285	+66 W	7 30	2 120
581 67 10	28.55	1527	236	+75 E	1 30	2 25	621 67 11	10.35	1528	67	+66 E	1 20	1 25
582 67 10	28.55	1527	236	+68 E	1 10	1 10	622 67 11	10.35	1528	67	+55 E	1 10	1 20
583 67 10	28.55	1527	236	+49 E	4 50	2 70	623 67 11	10.35	1528	67	+22 E	1 40	1 20
584 67 10	28.55	1527	236	-8 E	2 30	1 30	624 67 11	10.35	1528	67	-19 E	2 10	1 20
585 67 10	28.55	1527	236	-13 E	2 30	1 20	625 67 11	10.35	1528	67	-26 E	3 30	2 40
586 67 10	28.55	1527	236	-26 E	3 40	2 65	626 67 11	10.35	1528	67	-38 E	1 10	1 20
587 67 10	28.55	1527	236	-36 E	9 40	2 100	627 67 11	10.35	1528	247	-33 W	10 20	2 90
588 67 10	28.55	1527	56	-38 W	39 50	2 40	628 67 11	10.35	1528	247	+13 W	7 20	2 105
589 67 10	28.55	1527	56	+19 W	3 30	1 50	629 67 11	10.35	1528	247	+32 W	2 20	2 40
590 67 10	28.55	1527	56	+47 W	3 20	2 40	630 67 11	10.35	1528	247	+40 W	8 30	1 150

TABLE 1 CONTINUED

TABLE 1 CONTINUED

631	67	11	10.35	1528	247	+63	W	5	20	1	60	671	67	11	24.37	1528	242	-10	E	7	10	1	15
632	67	11	13.43	1528	27	+67	E	1	30	1	20	672	67	11	24.37	1528	242	-39	E	17	50	1	95
633	67	11	13.43	1528	27	+38	E	4	20	1	30	673	67	11	24.37	1528	62	-37	W	24	20	2	50
634	67	11	13.43	1528	27	+17	E	10	70	1	110	674	67	11	24.37	1528	62	+20	W	41	170	2	290
635	67	11	13.43	1528	27	-23	E	7	20	2	60	675	67	11	25.34	1528	229	+61	E	5	50	3	100
636	67	11	13.43	1528	27	-53	E	4	20	2	50	676	67	11	25.34	1528	229	+37	E	7	15	1	45
637	67	11	13.43	1528	207	-73	W	1	10	1	10	677	67	11	25.34	1528	229	+22	E	1	20	1	20
638	67	11	13.43	1528	207	-57	W	7	60	2	240	678	67	11	25.34	1528	229	-38	E	1	20	1	20
639	67	11	13.43	1528	207	-39	W	3	10	1	35	679	67	11	25.34	1528	49	-54	W	3	20	1	60
640	67	11	13.43	1528	207	-22	W	2	10	1	25	680	67	11	25.34	1528	49	-30	W	5	20	1	30
641	67	11	13.43	1528	207	-3	W	3	40	1	70	681	67	11	25.34	1528	49	+13	W	13	30	1	75
642	67	11	13.43	1528	207	+29	W	2	10	1	15	682	67	11	27.32	1528	203	+70	E	5	40	2	80
643	67	11	14.37	1528	14	+67	E	12	40	2	120	683	67	11	27.32	1528	203	+51	E	10	70	2	130
644	67	11	14.37	1528	14	+39	E	5	25	1	25	684	67	11	27.32	1528	203	+35	E	3	30	1	25
645	67	11	14.37	1528	14	+18	E	11	50	2	270	685	67	11	27.32	1528	203	-32	E	2	15	1	25
646	67	11	14.37	1528	14	-16	E	33	45	1	140	686	67	11	27.32	1528	203	-50	E	12	40	3	75
647	67	11	14.37	1528	14	-51	E	7	30	1	65	687	67	11	27.32	1528	23	-39	W	11	75	1	150
648	67	11	14.37	1528	194	-58	W	10	60	2	270	688	67	11	27.32	1528	23	-59	W	4	40	2	80
649	67	11	14.37	1528	194	-18	W	2	15	1	25	689	67	11	27.32	1528	23	-25	W	4	15	1	25
650	67	11	14.37	1528	194	+4	W	10	52	2	140	690	67	11	27.32	1528	23	-9	W	7	20	1	25
651	67	11	14.37	1528	194	+47	W	19	50	1	140	691	67	11	27.32	1528	23	+16	W	2	25	1	35
652	67	11	20.40	1528	295	+68	E	7	20	2	50	692	67	11	27.32	1528	23	+43	W	18	90	1	85
653	67	11	20.40	1528	295	+44	E	10	70	2	200	693	67	12	12.36	1529	5	+37	E	3	15	2	25
654	67	11	20.40	1528	295	+18	E	16	50	2	180	694	67	12	12.36	1529	5	+22	E	1	12	1	8
655	67	11	20.40	1528	295	-47	E	13	50	2	250	695	67	12	12.36	1529	5	-45	E	6	38	1	60
656	67	11	20.40	1528	115	-33	W	5	20	2	70	696	67	12	12.36	1529	185	-57	W	6	90	3	550
657	67	11	20.40	1528	115	-15	W	2	40	2	35	697	67	12	12.36	1529	185	+43	W	8	30	1	40
658	67	11	20.40	1528	115	+25	W	19	20	2	90	698	67	12	12.36	1529	185	+68	W	3	20	1	25
659	67	11	21.34	1528	282	+76	E	8	20	1	35	699	67	12	14.35	1529	338	+63	E	2	30	2	35
660	67	11	21.34	1528	282	+48	E	1	10	1	10	700	67	12	14.35	1529	338	+45	E	2	20	1	18
661	67	11	21.34	1528	282	+28	E	26	40	2	200	701	67	12	14.35	1529	338	+30	E	2	33	1	20
662	67	11	21.34	1528	282	-7	E	7	15	1	35	702	67	12	14.35	1529	338	+20	E	4	15	2	30
663	67	11	21.34	1528	282	-19	E	2	25	1	20	703	67	12	14.35	1529	338	-5	E	5	12	2	35
664	67	11	21.34	1528	282	-47	E	19	55	1	130	704	67	12	14.35	1529	338	-23	E	7	40	2	150
665	67	11	21.34	1528	102	-33	W	14	30	2	65	705	67	12	14.35	1529	338	-49	E	2	30	2	30
666	67	11	21.34	1528	102	-3	W	4	15	2	25	706	67	12	14.35	1529	158	-55	W	12	55	2	320
667	67	11	21.34	1528	102	+14	W	8	60	1	50	707	67	12	14.35	1529	158	0	W	1	45	1	25
668	67	11	21.34	1528	102	+32	W	3	50	2	65	708	67	12	14.35	1529	158	+45	W	1	25	2	20
669	67	11	24.37	1528	242	+70	E	3	40	3	45	709	67	12	14.35	1529	158	+62	W	3	25	2	45
670	67	11	24.37	1528	242	+27	E	12	15	2	50	710	67	12	28.35	1529	154	+71	E	8	31	2	63

TABLE 1 CONTINUED

TABLE 1 CONTINUED

711 67 12	28.35	1529	154	+47 E	3	27	2	41	751 68	1	10.45	1530	161	-60 W	6	30	2	57
712 67 12	28.35	1529	154	+20 E	4	17	3	33	752 68	1	10.45	1530	161	+42 W	6	31	2	128
713 67 12	28.35	1529	154	+1 E	4	39	1	42	753 68	1	10.45	1530	161	+63 W	6	31	2	85
714 67 12	28.35	1529	154	-7 E	6	40	1	91	754 68	1	11.37	1530	329	+65 E	9	48	1	32
715 67 12	28.35	1529	154	-15 E	3	15	1	29	755 68	1	11.37	1530	329	+38 E	8	30	3	91
716 67 12	28.35	1529	154	-55 E	6	80	2	198	756 68	1	11.37	1530	329	+15 E	1	21	1	19
717 67 12	28.35	1529	334	-29 W	3	38	2	55	757 68	1	11.37	1530	329	-28 E	2	80	2	83
718 67 12	28.35	1529	334	+62 W	3	19	1	37	758 68	1	11.37	1530	329	-49 E	5	29	2	54
719 67 12	29.33	1529	141	+70 E	10	47	2	130	759 68	1	11.37	1530	149	-60 W	8	23	2	74
720 67 12	29.33	1529	141	+24 E	2	17	2	26	760 68	1	11.37	1530	149	-21 W	3	30	2	51
721 67 12	29.33	1529	141	-9 E	5	29	1	24	761 68	1	11.37	1530	149	+5 W	1	50	1	23
722 67 12	29.33	1529	141	-55 E	8	91	2	375	762 68	1	11.37	1530	149	+45 W	8	31	2	144
723 67 12	29.33	1529	321	+19 W	6	35	3	131	763 68	1	11.37	1530	149	+68 W	2	23	2	22
724 67 12	29.33	1529	321	+62 W	1	20	1	12	764 68	2	1.50	1531	50	+69 E	3	10	2	30
725 68 1	2.37	1530	87	+70 E	8	22	2	123	765 68	2	1.50	1531	50	+36 E	19	150	1	210
726 68 1	2.37	1530	87	+21 E	3	51	1	36	766 68	2	1.50	1531	50	+13 E	4	20	2	80
727 68 1	2.37	1530	87	-19 E	8	50	3	61	767 68	2	1.50	1531	50	-24 E	2	50	1	35
728 68 1	2.37	1530	87	-44 E	2	21	1	20	768 68	2	1.50	1531	50	-48 E	9	30	1	110
729 68 1	2.37	1530	267	-58 W	5	31	2	83	769 68	2	1.50	1531	230	-59 W	8	40	3	110
730 68 1	2.37	1530	267	-40 W	2	22	2	27	770 68	2	1.50	1531	230	-46 W	4	35	3	80
731 68 1	2.37	1530	267	+67 W	4	29	2	38	771 68	2	1.50	1531	230	-12 W	10	20	2	130
732 68 1	4.39	1530	61	+71 E	11	19	2	78	772 68	2	1.50	1531	230	-1 W	3	20	2	35
733 68 1	4.39	1530	61	-18 E	13	69	3	240	773 68	2	1.50	1531	230	+11 W	3	30	2	40
734 68 1	4.39	1530	61	-37 E	2	22	2	31	774 68	2	1.50	1531	230	+35 W	24	190	1	420
735 68 1	4.39	1530	61	-43 E	3	33	2	57	775 68	2	6.32	1531	346	+69 E	5	20	2	65
736 68 1	4.39	1530	241	-52 W	4	30	1	21	776 68	2	6.32	1531	346	+53 E	7	70	2	210
737 68 1	4.39	1530	241	-12 W	2	21	1	23	777 68	2	6.32	1531	346	+38 E	8	60	2	150
738 68 1	4.39	1530	241	+40 W	2	10	1	11	778 68	2	6.32	1531	346	+27 E	3	20	2	45
739 68 1	4.39	1530	241	+64 W	4	30	1	36	779 68	2	6.32	1531	346	+20 E	1	40	2	50
740 68 1	7.37	1530	21	+41 E	2	30	2	29	780 68	2	6.32	1531	346	-12 E	1	10	1	10
741 68 1	7.37	1530	21	+12 E	10	41	1	93	781 68	2	6.32	1531	166	-54 W	14	130	2	300
742 68 1	7.37	1530	201	-50 W	8	40	1	108	782 68	2	6.32	1531	166	-38 W	6	40	2	80
743 68 1	7.37	1530	201	-29 W	5	9	1	31	783 68	2	6.32	1531	166	-13 W	8	20	1	30
744 68 1	7.37	1530	201	+12 W	3	28	2	53	784 68	2	6.32	1531	166	+5 W	3	20	1	65
745 68 1	7.37	1530	201	+19 W	1	6	2	4	785 68	2	6.32	1531	166	+18 W	10	30	2	160
746 68 1	7.37	1530	201	+33 W	1	20	1	11	786 68	2	6.32	1531	166	+63 W	9	60	2	130
747 68 1	7.37	1530	201	+62 W	5	43	2	91	787 68	2	12.34	1531	267	+51 E	6	80	1	120
748 68 1	10.45	1530	341	+42 E	2	21	2	19	788 68	2	12.34	1531	267	+41 E	3	20	1	30
749 68 1	10.45	1530	341	+31 E	11	88	1	83	789 68	2	12.34	1531	267	+31 E	3	15	1	20
750 68 1	10.45	1530	341	-28 E	5	80	2	138	790 68	2	12.34	1531	267	+2 E	3	10	1	30

TABLE 1 CONTINUED

TABLE 1 CONTINUED

791 68	2	12.34	1531	267	-28 E	1	10	1	10	831 68	3	4.38	1532	169	-56 W	3	40	1	50
792 68	2	12.34	1531	267	-44 E	9	140	1	240	832 68	3	4.38	1532	169	-39 W	2	10	1	20
793 68	2	12.34	1531	87	-41 W	5	60	3	75	833 68	3	4.38	1532	169	-25 W	1	10	1	10
794 68	2	12.34	1531	87	-23 W	4	20	1	35	834 68	3	4.38	1532	169	+19 W	19	40	3	520
795 68	2	12.34	1531	87	-10 W	1	30	1	30	835 68	3	4.38	1532	169	+62 W	4	70	1	90
796 68	2	12.34	1531	87	+27 W	11	110	1	170	836 68	3	8.32	1532	297	+73 E	14	20	1	60
797 68	2	12.34	1531	87	+52 W	1	40	1	30	837 68	3	8.32	1532	297	+28 E	4	10	1	30
798 68	2	12.34	1531	87	+64 W	7	35	1	70	838 68	3	8.32	1532	297	+17 E	4	30	1	35
799 68	2	18.42	1531	186	+77 E	2	20	1	35	839 68	3	8.32	1532	297	-36 E	1	10	1	10
800 68	2	18.42	1531	186	+40 E	12	54	2	320	840 68	3	8.32	1532	117	-62 W	3	10	1	30
801 68	2	18.42	1531	186	-7 E	2	20	1	27	841 68	3	8.32	1532	117	-8 W	3	90	2	170
802 68	2	18.42	1531	186	-25 E	2	22	1	30	842 68	3	8.32	1532	117	+19 W	5	10	2	40
803 68	2	18.42	1531	186	-36 E	4	31	2	69	843 68	3	8.32	1532	117	+71 W	2	10	1	20
804 68	2	18.42	1531	186	-60 E	16	103	2	775	844 68	3	14.36	1532	217	+52 E	4	20	1	55
805 68	2	18.42	1531	6	-60 W	10	31	2	198	845 68	3	14.36	1532	217	+29 E	2	20	1	30
806 68	2	18.42	1531	6	-6 W	2	50	1	42	846 68	3	14.36	1532	217	-63 E	1	20	1	20
807 68	2	18.42	1531	6	+2 W	1	38	1	23	847 68	3	14.36	1532	37	+14 W	6	50	2	280
808 68	2	18.42	1531	6	+28 W	13	40	3	322	848 68	3	14.36	1532	37	+42 W	4	40	1	50
809 68	2	18.42	1531	6	+62 W	13	86	1	654	849 68	3	14.36	1532	37	+73 W	15	40	1	130
810 68	3	1.49	1532	27	+72 E	7	20	1	60	850 68	3	20.39	1532	138	+67 E	5	30	1	25
811 68	3	1.49	1532	27	+72 E	7	20	1	40	851 68	3	20.39	1532	138	+42 E	8	60	2	240
812 68	3	1.49	1532	27	+17 E	2	40	3	40	852 68	3	20.39	1532	138	+16 E	8	40	2	200
813 68	3	1.49	1532	27	-57 E	6	70	3	220	853 68	3	20.39	1532	138	-57 E	8	30	2	110
814 68	3	1.49	1532	207	-48 W	1	10	1	10	854 68	3	20.39	1532	318	-61 W	1	10	1	10
815 68	3	1.49	1532	207	-37 W	2	30	1	30	855 68	3	20.39	1532	318	-49 W	4	20	1	25
816 68	3	1.49	1532	207	-12 W	12	20	1	35	856 68	3	20.39	1532	318	-22 W	3	20	2	40
817 68	3	1.49	1532	207	+8 W	1	40	1	35	857 68	3	20.39	1532	318	+23 W	16	20	2	180
818 68	3	1.49	1532	207	+41 W	1	40	1	15	858 68	3	20.39	1532	318	+38 W	1	30	1	20
819 68	3	1.49	1532	207	+50 W	4	30	1	45	859 68	3	20.39	1532	318	+67 W	5	70	3	220
820 68	3	1.49	1532	207	+66 W	10	40	1	100	860 68	3	29.25	1533	21	+71 E	3	20	2	35
821 68	3	3.43	1532	1	+72 E	1	10	1	10	861 68	3	29.25	1533	21	+61 E	6	60	2	70
822 68	3	3.43	1532	1	+19 E	6	60	2	220	862 68	3	29.25	1533	21	+47 E	5	30	2	60
823 68	3	3.43	1532	1	-48 E	15	60	2	240	863 68	3	29.25	1533	21	+20 E	14	50	3	370
824 68	3	3.43	1532	181	-17 W	14	50	2	85	864 68	3	29.25	1533	21	+10 E	2	20	1	30
825 68	3	3.43	1532	181	+27 W	18	20	1	60	865 68	3	29.25	1533	21	+1 E	2	20	1	30
826 68	3	3.43	1532	181	+63 W	1	40	1	60	866 68	3	29.25	1533	21	-17 E	12	50	1	70
827 68	3	4.38	1532	349	+72 E	21	20	1	80	867 68	3	29.25	1533	21	-61 E	7	40	2	85
828 68	3	4.38	1532	349	+22 E	21	90	2	490	868 68	3	29.25	1533	201	-44 W	9	70	1	150
829 68	3	4.38	1532	349	-17 E	4	30	2	60	869 68	3	29.25	1533	201	+10 W	4	20	1	50
830 68	3	4.38	1532	349	-47 E	15	60	2	260	870 68	3	29.25	1533	201	+23 W	1	10	1	10

TABLE 1 CONTINUED

TABLE 1 CONTINUED

871 68	3	30.52	1533	4	+77 E	3	20	1	35	911 68	4	14.25	1533	169	-2 E	3	60	3	70
872 68	3	30.52	1533	4	+63 E	7	20	1	40	912 68	4	14.25	1533	169	-24 E	10	50	3	270
873 68	3	30.52	1533	4	+29 E	23	50	1	190	913 68	4	14.25	1533	349	-58 W	2	30	2	40
874 68	3	30.52	1533	4	+1 E	3	20	1	30	914 68	4	14.25	1533	349	-28 W	3	40	2	40
875 68	3	30.52	1533	4	-27 E	24	30	2	180	915 68	4	14.25	1533	349	-12 W	12	50	2	220
876 68	3	30.52	1533	4	+59 E	4	60	2	130	916 68	4	14.25	1533	349	+78 W	14	80	2	190
877 68	3	30.52	1533	184	-43 W	16	30	2	180	917 68	4	15.25	1533	156	+21 E	8	80	3	300
878 68	3	30.52	1533	184	+22 W	8	10	2	80	918 68	4	15.25	1533	156	+1 E	10	70	2	130
879 68	3	30.52	1533	184	+36 W	2	30	2	35	919 68	4	15.25	1533	156	+23 E	10	30	2	110
880 68	3	31.30	1533	354	+65 E	2	30	1	45	920 68	4	15.25	1533	156	-64 E	1	50	2	35
881 68	3	31.30	1533	354	+35 E	17	70	1	160	921 68	4	15.25	1533	336	-53 W	7	50	2	80
882 68	3	31.30	1533	354	+18 E	1	20	2	20	922 68	4	15.25	1533	336	-33 W	11	30	3	110
883 68	3	31.30	1533	354	-22 E	17	20	1	60	923 68	4	15.25	1533	336	+15 W	10	30	2	100
884 68	3	31.30	1533	354	-43 E	3	10	1	20	924 68	4	15.25	1533	336	+2 W	1	30	1	35
885 68	3	31.30	1533	354	-62 E	6	80	3	170	925 68	4	15.25	1533	336	+34 W	2	50	3	75
886 68	3	31.30	1533	174	-56 W	9	60	1	50	926 68	4	15.25	1533	336	+80 W	13	40	1	90
887 68	3	31.30	1533	174	-38 W	3	60	2	80	927 68	4	18.27	1533	116	+53 E	1	10	1	10
888 68	3	31.30	1533	174	-7 W	3	60	1	40	928 68	4	18.27	1533	116	+29 E	9	110	3	310
889 68	3	31.30	1533	174	+18 W	11	30	2	120	929 68	4	18.27	1533	116	+18 E	4	40	3	90
890 68	4	1.31	1533	340	+69 E	2	20	2	35	930 68	4	18.27	1533	116	-8 E	4	30	3	80
891 68	4	1.31	1533	340	+45 E	2	40	2	60	931 68	4	18.27	1533	116	-29 E	11	90	1	140
892 68	4	1.31	1533	340	-14 E	28	50	2	330	932 68	4	18.27	1533	116	-64 E	2	50	3	60
893 68	4	1.31	1533	340	-58 E	2	60	2	75	933 68	4	18.27	1533	226	-38 W	7	70	2	130
894 68	4	1.31	1533	160	-40 W	24	60	2	290	934 68	4	18.27	1533	226	+32 W	28	60	3	710
895 68	4	1.31	1533	160	+30 W	11	20	3	140	935 68	4	18.27	1533	226	+49 W	2	10	2	20
896 68	4	12.58	1533	192	+37 E	13	50	2	470	936 68	4	18.27	1533	226	+77 W	5	60	2	130
897 68	4	12.58	1533	12	+29 W	12	20	3	150	937 68	4	20.29	1534	90	+49 E	1	50	1	20
898 68	4	12.58	1533	12	+44 W	4	20	2	50	938 68	4	20.29	1534	90	+27 E	11	20	1	50
899 68	4	12.58	1533	12	+52 W	3	10	2	30	939 68	4	20.29	1534	90	-26 E	2	50	1	40
900 68	4	12.58	1533	12	+80 W	13	60	1	320	940 68	4	20.29	1534	90	-32 E	2	20	1	30
901 68	4	12.58	1533	12	+89 W	6	20	1	120	941 68	4	20.29	1534	90	-61 E	3	50	2	60
902 68	4	13.27	1533	182	+73 E	8	20	1	55	942 68	4	20.29	1534	270	-53 W	7	100	2	110
903 68	4	13.27	1533	182	+37 E	10	80	3	330	943 68	4	20.29	1534	270	+8 W	2	50	2	40
904 68	4	13.27	1533	182	-3 E	1	10	1	10	944 68	4	20.29	1534	270	+29 W	3	10	2	30
905 68	4	13.27	1533	182	-26 E	10	40	2	235	945 68	4	20.29	1534	270	+49 W	1	10	2	10
906 68	4	13.27	1533	2	-56 W	2	20	2	40	946 68	4	20.29	1534	270	+55 W	1	10	2	10
907 68	4	13.27	1533	2	+57 W	10	20	2	60	947 68	4	20.29	1534	270	+76 W	8	110	2	190
908 68	4	13.27	1533	2	+80 W	19	60	1	170	948 68	4	21.41	1534	75	+60 E	5	20	1	30
909 68	4	14.25	1533	169	+46 E	11	40	1	200	949 68	4	21.41	1534	75	+44 E	1	30	2	20
910 68	4	14.25	1533	169	+15 E	14	20	2	140	950 68	4	21.41	1534	75	+30 E	7	60	2	110

TABLE 1 CONTINUED

TABLE 1 CONTINUED

951 68	4	21.41	1534	75	-39 E	2	20	3	30	991 68	4	25.24	1534	204	-26 W	1	10	1	10
952 68	4	21.41	1534	255	-37 W	4	90	1	190	992 68	4	25.24	1534	204	-14 W	1	20	2	20
953 68	4	21.41	1534	255	- 8 W	1	50	2	30	993 68	4	25.24	1534	204	- 9 W	1	40	1	30
954 68	4	21.41	1534	255	+ 7 W	1	70	2	60	994 68	4	25.24	1534	204	+28 W	2	30	2	25
955 68	4	21.41	1534	255	+25 W	1	90	1	70	995 68	4	25.24	1534	204	+58 W	28	90	2	340
956 68	4	21.41	1534	255	+75 W	6	70	3	180	996 68	5	2.32	1534	291	+26 E	3	21	2	68
957 68	4	22.27	1534	64	+47 E	2	40	3	35	997 68	5	2.32	1534	291	+58 E	6	74	1	121
958 68	4	22.27	1534	64	+32 E	3	90	3	90	998 68	5	2.32	1534	291	+76 E	1	27	2	13
959 68	4	22.27	1534	64	-32 E	1	10	3	10	999 68	5	2.32	1534	291	- 7 E	1	40	2	22
960 68	4	22.27	1534	64	-37 E	1	20	3	20	1000 68	5	2.32	1534	291	-18 E	1	51	1	31
961 68	4	22.27	1534	64	-42 E	1	10	3	10	1001 68	5	2.32	1534	291	-49 E	12	77	2	346
962 68	4	22.27	1534	64	-58 E	2	10	2	20	1002 68	5	2.32	1534	111	-50 W	3	21	2	27
963 68	4	22.27	1534	244	-39 W	16	180	1	110	1003 68	5	2.32	1534	111	-21 W	3	11	2	28
964 68	4	22.27	1534	244	- 8 W	3	30	2	40	1004 68	5	2.32	1534	111	+34 W	19	60	2	421
965 68	4	22.27	1534	244	+13 W	15	80	1	110	1005 68	5	8.26	1534	213	+14 E	18	41	2	148
966 68	4	22.27	1534	244	+30 W	3	20	1	30	1006 68	5	8.26	1534	213	+59 E	2	10	2	15
967 68	4	22.27	1534	244	+43 W	3	20	1	20	1007 68	5	8.26	1534	213	+69 E	5	19	1	27
968 68	4	22.27	1534	244	+78 W	12	60	2	170	1008 68	5	8.26	1534	213	-48 E	2	40	2	35
969 68	4	24.29	1534	37	+46 E	1	10	1	10	1009 68	5	8.26	1534	33	-39 W	2	20	2	19
970 68	4	24.29	1534	37	+39 E	4	80	1	70	1010 68	5	8.26	1534	33	-24 W	3	23	2	31
971 68	4	24.29	1534	37	+27 E	11	30	3	130	1011 68	5	8.26	1534	33	+25 W	4	39	1	40
972 68	4	24.29	1534	37	+16 E	2	30	3	30	1012 68	5	9.18	1534	200	+16 E	18	41	1	178
973 68	4	24.29	1534	37	+11 E	3	30	3	50	1013 68	5	9.18	1534	200	+69 E	8	48	2	53
974 68	4	24.29	1534	37	-18 E	1	60	2	50	1014 68	5	9.18	1534	200	-45 E	7	21	2	41
975 68	4	24.29	1534	37	-47 E	2	20	2	40	1015 68	5	9.18	1534	20	-53 W	4	36	1	69
976 68	4	24.29	1534	37	-61 E	4	20	2	50	1016 68	5	9.18	1534	20	-28 W	19	40	2	238
977 68	4	24.29	1534	217	-10 W	5	30	1	40	1017 68	5	9.18	1534	20	+20 W	10	49	2	71
978 68	4	24.29	1534	217	+32 W	11	40	3	120	1018 68	5	9.18	1534	20	+56 W	7	21	2	80
979 68	4	24.29	1534	217	+55 W	1	10	1	10	1019 68	5	9.18	1534	20	+76 W	8	27	2	63
980 68	4	24.29	1534	217	+66 W	11	40	3	170	1020 68	5	11.25	1534	173	+24 E	1	20	1	22
981 68	4	24.29	1534	217	+85 W	2	20	1	30	1021 68	5	11.25	1534	173	+29 E	2	41	1	48
982 68	4	25.24	1534	24	+41 E	1	10	1	10	1022 68	5	11.25	1534	173	-20 E	20	70	2	570
983 68	4	25.24	1534	24	+30 E	10	30	3	85	1023 68	5	11.25	1534	353	-55 W	6	14	2	33
984 68	4	25.24	1534	24	+10 E	4	20	2	20	1024 68	5	11.25	1534	353	+13 W	5	71	1	41
985 68	4	25.24	1534	24	- 6 E	1	10	1	10	1025 68	5	11.25	1534	353	+27 W	5	62	1	60
986 68	4	25.24	1534	24	-24 E	2	20	2	40	1026 68	5	11.25	1534	353	+42 W	7	28	2	71
987 68	4	25.24	1534	24	-35 E	7	30	2	70	1027 68	5	11.25	1534	353	+57 W	9	29	2	65
988 68	4	25.24	1534	24	-61 E	5	20	3	50	1028 68	5	11.25	1534	353	+80 W	10	61	2	97
989 68	4	25.24	1534	204	-41 W	1	10	2	10	1029 68	5	16.21	1534	108	+46 E	11	81	2	115
990 68	4	25.24	1534	204	-32 W	2	10	1	20	1030 68	5	16.21	1534	108	+61 E	11	29	2	88

TABLE 1 CONTINUED

1031 68	5	16.21	1534	108	+88 E	10	42	1	67	1071 68	6	4.27	1535	216	+69 E	4	42	2	82
1032 68	5	16.21	1534	108	-62 E	2	22	2	23	1072 68	6	4.27	1535	216	+38 E	20	60	1	295
1033 68	5	16.21	1534	288	-61 W	2	19	2	21	1073 68	6	4.27	1535	216	-14 E	11	51	3	346
1034 68	5	16.21	1534	288	-41 W	8	60	3	110	1074 68	6	4.27	1535	216	-47 E	4	39	2	51
1035 68	5	16.21	1534	288	+22 W	3	20	3	31	1075 68	6	4.27	1535	36	-57 W	4	18	1	44
1036 68	5	16.21	1534	288	+73 W	3	51	1	42	1076 68	6	4.27	1535	36	-30 W	17	40	3	145
1037 68	5	16.21	1534	288	+84 W	3	51	1	62	1077 68	6	4.27	1535	36	+3 W	2	29	2	21
1038 68	5	17.20	1534	95	+48 E	2	20	2	16	1078 68	6	4.27	1535	36	+14 W	5	31	2	60
1039 68	5	17.20	1534	95	+57 E	7	12	3	44	1079 68	6	4.27	1535	36	+52 W	3	24	2	26
1040 68	5	17.20	1534	95	+68 E	3	11	2	10	1080 68	6	5.24	1535	203	+69 E	3	37	2	48
1041 68	5	17.20	1534	95	+77 E	3	13	2	11	1081 68	6	5.24	1535	203	+35 E	21	88	2	575
1042 68	5	17.20	1534	95	-19 E	4	21	2	57	1082 68	6	5.24	1535	203	-14 E	11	80	3	691
1043 68	5	17.20	1534	95	-61 E	1	28	2	19	1083 68	6	5.24	1535	203	-34 E	1	19	2	11
1044 68	5	17.20	1534	275	-41 W	6	31	2	71	1084 68	6	5.24	1535	203	-48 E	1	13	2	11
1045 68	5	17.20	1534	275	+17 W	4	60	2	57	1085 68	6	5.24	1535	23	-58 W	5	37	2	100
1046 68	5	17.20	1534	275	+42 W	2	25	3	41	1086 68	6	5.24	1535	23	-36 W	1	10	2	10
1047 68	5	17.20	1534	275	+78 W	3	70	2	97	1087 68	6	5.24	1535	23	-25 W	5	30	3	91
1048 68	5	18.29	1535	80	+59 E	22	89	2	330	1088 68	6	5.24	1535	23	+13 W	9	11	2	57
1049 68	5	18.29	1535	80	-26 E	12	40	2	83	1089 68	6	6.40	1535	188	+72 E	2	29	1	24
1050 68	5	18.29	1535	260	+16 W	1	37	1	22	1090 68	6	6.40	1535	188	+37 E	13	68	3	261
1051 68	5	18.29	1535	260	+81 W	10	53	1	173	1091 68	6	6.40	1535	188	-14 E	11	66	3	440
1052 68	5	24.27	1535	1	+5 E	18	80	1	221	1092 68	6	6.40	1535	168	-40 E	7	31	2	145
1053 68	5	24.27	1535	1	+42 E	7	29	2	113	1093 68	6	6.40	1535	8	-57 W	4	47	1	45
1054 68	5	24.27	1535	1	+60 E	6	60	1	49	1094 68	6	6.40	1535	8	-40 W	1	29	1	19
1055 68	5	24.27	1535	1	+71 E	10	12	1	51	1095 68	6	6.40	1535	8	-26 W	3	66	2	81
1056 68	5	24.27	1535	1	-64 E	2	41	2	38	1096 68	6	7.20	1535	177	+38 E	16	91	2	231
1057 68	5	24.27	1535	181	-45 W	4	79	2	68	1097 68	6	7.20	1535	177	-12 E	4	45	2	63
1058 68	5	24.27	1535	181	-34 W	10	60	2	131	1098 68	6	7.20	1535	357	-58 W	2	30	2	46
1059 68	5	24.27	1535	181	-9 W	23	78	2	298	1099 68	6	7.20	1535	357	-39 W	9	22	2	55
1060 68	5	24.27	1535	181	+42 W	8	21	2	73	1100 68	6	7.20	1535	357	-28 W	1	19	1	9
1061 68	5	24.27	1535	181	+53 W	3	52	2	77	1101 68	6	7.20	1535	357	-18 W	4	30	2	52
1062 68	5	24.27	1535	181	+79 W	4	80	2	81	1102 68	6	12.21	1535	111	+67 E	3	40	2	81
1063 68	5	29.22	1535	296	+21 E	3	19	1	21	1103 68	6	12.21	1535	111	+42 E	3	18	2	17
1064 68	5	29.22	1535	296	+34 E	6	34	2	61	1104 68	6	12.21	1535	111	+37 E	3	20	2	37
1065 68	5	29.22	1535	296	-2 E	17	50	1	83	1105 68	6	12.21	1535	111	-3 E	2	13	1	18
1066 68	5	29.22	1535	296	-44 E	18	59	2	357	1106 68	6	12.21	1535	111	-49 E	24	43	2	395
1067 68	5	29.22	1535	116	-53 W	2	11	1	10	1107 68	6	12.21	1535	291	-53 W	3	30	2	39
1068 68	5	29.22	1535	116	-7 W	6	57	1	61	1108 68	6	12.21	1535	291	-28 W	9	20	1	47
1069 68	5	29.22	1535	116	+39 W	18	70	2	361	1109 68	6	12.21	1535	291	+5 W	4	26	1	42
1070 68	5	29.22	1535	116	+60 W	2	30	1	29	1110 68	6	12.21	1535	291	+76 W	5	23	1	31

TABLE 1 CONTINUED

1111 68	6	13.18	1535	98	+70 E	6	35	1	92	1151 68	6	17.24	1536	45	+83 E	9	13	1	83
1112 68	6	13.18	1535	98	+40 E	5	92	2	61	1152 68	6	17.24	1536	45	+32 E	4	70	3	132
1113 68	6	13.18	1535	98	+9 E	2	40	2	250	1153 68	6	17.24	1536	45	+9 E	3	28	2	30
1114 68	6	13.18	1535	98	-26 E	8	94	2	231	1154 68	6	17.24	1536	45	-2 E	1	49	2	28
1115 68	6	13.18	1535	98	-55 E	18	79	2	405	1155 68	6	17.24	1536	45	-16 E	1	21	1	11
1116 68	6	13.18	1535	278	-58 W	6	11	2	50	1156 68	6	17.24	1536	45	-63 E	3	21	2	24
1117 68	6	13.18	1535	278	-35 W	6	40	2	121	1157 68	6	17.24	1536	225	-42 W	22	73	2	394
1118 68	6	13.18	1535	278	+26 W	10	19	2	71	1158 68	6	17.24	1536	225	+23 W	11	90	2	70
1119 68	6	13.18	1535	278	+72 W	4	30	2	64	1159 68	6	17.24	1536	225	+45 W	11	21	2	57
1120 68	6	14.31	1536	84	+68 E	8	48	1	181	1160 68	6	17.24	1536	225	+75 W	11	39	2	231
1121 68	6	14.31	1536	84	+26 E	20	30	1	71	1161 68	6	18.26	1536	31	+75 E	2	22	1	12
1122 68	6	14.31	1536	84	-28 E	6	95	2	250	1162 68	6	18.26	1536	31	+33 E	6	30	2	53
1123 68	6	14.31	1536	84	-39 E	6	32	2	142	1163 68	6	18.26	1536	31	+3 E	4	16	2	37
1124 68	6	14.31	1536	84	-58 E	14	79	2	249	1164 68	6	18.26	1536	31	-18 E	13	47	2	245
1125 68	6	14.31	1536	264	-36 W	4	41	2	44	1165 68	6	18.26	1536	211	-55 W	11	90	2	311
1126 68	6	14.31	1536	264	+13 W	6	37	3	121	1166 68	6	18.26	1536	211	-26 W	6	18	1	57
1127 68	6	14.31	1536	264	+73 W	7	48	2	133	1167 68	6	18.26	1536	211	-11 W	10	60	2	433
1128 68	6	15.22	1536	72	+74 E	8	50	2	209	1168 68	6	18.26	1536	211	+19 W	14	89	1	91
1129 68	6	15.22	1536	72	+52 E	2	29	2	38	1169 68	6	18.26	1536	211	+73 W	13	44	2	285
1130 68	6	15.22	1536	72	+32 E	12	42	2	193	1170 68	6	19.21	1536	19	+82 E	5	19	1	20
1131 68	6	15.22	1536	72	-21 E	10	81	2	168	1171 68	6	19.21	1536	19	+38 E	4	33	2	22
1132 68	6	15.22	1536	72	-56 E	8	51	1	98	1172 68	6	19.21	1536	19	+16 E	10	10	1	36
1133 68	6	15.22	1536	252	-37 W	6	15	1	17	1173 68	6	19.21	1536	19	-24 E	14	38	2	268
1134 68	6	15.22	1536	252	+9 W	6	49	2	84	1174 68	6	19.21	1536	19	-44 E	5	23	2	81
1135 68	6	15.22	1536	252	+21 W	1	30	1	10	1175 68	6	19.21	1536	199	-54 W	7	51	2	198
1136 68	6	15.22	1536	252	+40 W	7	21	1	33	1176 68	6	19.21	1536	199	-44 W	3	25	1	26
1137 68	6	15.22	1536	252	+70 W	5	40	3	98	1177 68	6	19.21	1536	199	-27 W	4	36	3	52
1138 68	6	16.22	1536	58	+70 E	7	41	1	165	1178 68	6	19.21	1536	199	-8 W	9	72	2	246
1139 68	6	16.22	1536	58	+32 E	8	64	3	258	1179 68	6	19.21	1536	199	+20 W	4	50	1	66
1140 68	6	16.22	1536	58	+10 E	22	48	2	371	1180 68	6	19.21	1536	199	+75 W	8	48	2	98
1141 68	6	16.22	1536	58	-24 E	6	60	1	30	1181 68	6	23.21	1536	326	+69 E	3	29	1	44
1142 68	6	16.22	1536	58	-33 E	6	52	1	71	1182 68	6	23.21	1536	326	+49 E	6	38	2	80
1143 68	6	16.22	1536	58	-59 E	6	43	2	98	1183 68	6	23.21	1536	326	+4 E	2	28	1	29
1144 68	6	16.22	1536	238	-53 W	2	39	2	48	1184 68	6	23.21	1536	326	-63 E	4	53	2	107
1145 68	6	16.22	1536	238	-46 W	2	26	2	33	1185 68	6	23.21	1536	146	-28 W	6	77	2	165
1146 68	6	16.22	1536	238	-33 W	13	30	2	233	1186 68	6	23.21	1536	146	+10 W	9	70	1	66
1147 68	6	16.22	1536	238	-6 W	5	12	1	22	1187 68	6	23.21	1536	146	-21 W	15	39	2	216
1148 68	6	16.22	1536	238	+10 W	2	30	1	19	1188 68	6	23.21	1536	146	+53 W	9	40	2	190
1149 68	6	16.22	1536	238	+43 W	8	36	2	63	1189 68	6	23.21	1536	146	+77 W	7	59	2	212
1150 68	6	16.22	1536	238	+74 W	13	43	2	208	1190 68	6	24.21	1536	313	+69 E	9	30	1	65

TABLE 1 CONTINUED

1191 68	6	24.21	1536	313	+47 E	10	42	2	111	1231 68	7	3.23	1536	14	+21 W	7	38	2	152
1192 68	6	24.21	1536	313	-16 E	1	19	2	18	1232 68	7	3.23	1536	14	+36 W	8	35	2	66
1193 68	6	24.21	1536	313	-52 E	6	29	1	44	1233 68	7	4.21	1536	181	+74 E	16	30	2	69
1194 68	6	24.21	1536	313	-64 E	4	50	2	77	1234 68	7	4.21	1536	181	+38 E	12	15	2	63
1195 68	6	24.21	1536	133	-33 W	4	18	1	47	1235 68	7	4.21	1536	181	-28 E	5	21	1	48
1196 68	6	24.21	1536	133	-16 W	14	68	2	233	1236 68	7	4.21	1536	181	-57 E	11	43	1	42
1197 68	6	24.21	1536	133	- 2 W	11	31	1	101	1237 68	7	4.21	1536	1	-55 W	2	12	1	17
1198 68	6	24.21	1536	133	+35 W	5	40	1	100	1238 68	7	4.21	1536	1	-42 W	1	13	1	12
1199 68	6	24.21	1536	133	+78 W	10	60	2	330	1239 68	7	4.21	1536	1	-16 W	7	22	2	62
1200 68	6	30.41	1536	231	+85 E	11	72	2	205	1240 68	7	4.21	1536	1	+12 W	4	60	1	62
1201 68	6	30.41	1536	231	+15 E	14	41	2	193	1241 68	7	4.21	1536	1	+23 W	2	37	2	36
1202 68	6	30.41	1536	231	-13 E	5	65	1	36	1242 68	7	4.21	1536	1	+38 W	12	70	1	103
1203 68	6	30.41	1536	231	-40 E	13	148	2	275	1243 68	7	5.21	1536	168	+70 E	12	50	2	73
1204 68	6	30.41	1536	231	-52 E	5	72	3	98	1244 68	7	5.21	1536	168	+51 E	5	26	1	52
1205 68	6	30.41	1536	51	-55 W	11	90	2	410	1245 68	7	5.21	1536	168	+19 E	2	13	2	12
1206 68	6	30.41	1536	51	+20 W	20	30	2	233	1246 68	7	5.21	1536	168	-28 E	4	27	3	48
1207 68	6	30.41	1536	51	+77 W	8	41	2	166	1247 68	7	5.21	1536	168	-52 E	4	28	1	44
1208 68	7	1.26	1536	220	+70 E	5	61	2	100	1248 68	7	5.21	1536	168	-61 E	2	20	1	27
1209 68	7	1.26	1536	220	+12 E	11	82	1	65	1249 68	7	5.21	1536	348	-63 W	12	42	2	198
1210 68	7	1.26	1536	220	-30 E	22	60	2	251	1250 68	7	5.21	1536	348	-44 W	2	22	2	20
1211 68	7	1.26	1536	40	-56 W	9	89	3	338	1251 68	7	5.21	1536	348	-20 W	16	41	2	193
1212 68	7	1.26	1536	40	-23 W	6	17	2	60	1252 68	7	5.21	1536	348	+ 3 W	6	21	1	33
1213 68	7	1.26	1536	40	+24 W	15	59	2	225	1253 68	7	5.21	1536	348	+25 W	4	26	1	22
1214 68	7	1.26	1536	40	+35 W	9	46	2	218	1254 68	7	5.21	1536	348	+37 W	5	20	1	29
1215 68	7	1.26	1536	40	+75 W	5	48	2	87	1255 68	7	6.37	1536	152	+74 E	11	36	2	116
1216 68	7	2.52	1536	203	+71 E	7	30	2	47	1256 68	7	6.37	1536	152	+49 E	7	20	2	57
1217 68	7	2.52	1536	203	-19 E	16	33	2	211	1257 68	7	6.37	1536	152	+25 E	5	33	2	108
1218 68	7	2.52	1536	203	-32 E	1	22	1	12	1258 68	7	6.37	1536	152	+13 E	27	78	2	303
1219 68	7	2.52	1536	203	-44 E	7	30	2	48	1259 68	7	6.37	1536	152	-27 E	11	44	1	153
1220 68	7	2.52	1536	23	-58 W	5	106	3	181	1260 68	7	6.37	1536	332	-75 W	10	41	2	291
1221 68	7	2.52	1536	23	-27 W	1	11	1	11	1261 68	7	6.37	1536	332	-34 W	10	21	2	62
1222 68	7	2.52	1536	23	-13 W	5	41	2	44	1262 68	7	6.37	1536	332	-25 W	3	11	1	22
1223 68	7	2.52	1536	23	+20 W	10	29	2	90	1263 68	7	6.37	1536	332	+40 W	3	16	1	20
1224 68	7	2.52	1536	23	+37 W	11	51	2	255	1264 68	7	6.37	1536	332	+56 W	4	10	1	11
1225 68	7	3.23	1536	194	+69 E	6	15	1	15	1265 68	7	8.27	1536	127	+71 E	4	44	2	38
1226 68	7	3.23	1536	194	+17 E	1	10	1	9	1266 68	7	8.27	1536	127	+43 E	10	30	2	64
1227 68	7	3.23	1536	194	- 7 E	7	29	2	31	1267 68	7	8.27	1536	127	+12 E	13	41	2	233
1228 68	7	3.23	1536	194	-59 E	1	18	1	17	1268 68	7	8.27	1536	127	-16 E	22	25	2	270
1229 68	7	3.23	1536	14	-52 W	18	228	2	344	1269 68	7	8.27	1536	127	-32 E	9	70	1	129
1230 68	7	3.23	1536	14	-17 W	3	61	1	24	1270 68	7	8.27	1536	307	-63 W	12	68	3	422

TABLE 1 CONTINUED

TABLE 1 CONTINUED

1271 68	7	8.27	1536	307	-22 W	5	70	1	68	1311 68	8	1.17	1537	172	+3 E	3	8	1	19
1272 68	7	8.27	1536	307	+43 W	1	21	1	12	1312 68	8	1.17	1537	172	-33 E	3	22	2	20
1273 68	7	8.27	1536	307	+57 W	5	32	1	78	1313 68	8	1.17	1537	172	-69 E	2	18	2	20
1274 68	7	10.30	1536	101	+51 E	3	40	2	33	1314 68	8	1.17	1537	352	-55 W	12	46	3	185
1275 68	7	10.30	1536	101	+44 E	1	17	1	10	1315 68	8	1.17	1537	352	-41 W	7	70	3	155
1276 68	7	10.30	1536	101	+24 E	1	20	3	22	1316 68	8	1.17	1537	352	-27 W	10	50	2	150
1277 68	7	10.30	1536	101	-45 E	1	9	1	10	1317 68	8	1.17	1537	352	-15 W	2	33	1	35
1278 68	7	10.30	1536	281	-60 W	3	38	2	44	1318 68	8	1.17	1537	352	+23 W	9	61	1	60
1279 68	7	10.30	1536	281	-16 W	3	52	1	70	1319 68	8	1.17	1537	352	+32 W	4	45	1	33
1280 68	7	10.30	1536	281	+23 W	2	18	3	22	1320 68	8	1.17	1537	352	+46 W	4	14	1	10
1281 68	7	10.30	1536	281	+35 W	4	25	1	37	1321 68	8	1.17	1537	352	+78 W	19	22	2	144
1282 68	7	10.30	1536	281	+60 W	3	24	2	49	1322 68	8	5.23	1537	118	+71 E	16	86	1	90
1283 68	7	11.41	1537	86	+73 E	3	13	1	13	1323 68	8	5.23	1537	118	+29 E	11	80	3	145
1284 68	7	11.41	1537	86	+50 E	1	10	2	6	1324 68	8	5.23	1537	118	-1 E	2	22	1	29
1285 68	7	11.41	1537	86	-40 E	1	22	2	13	1325 68	8	5.23	1537	118	-33 E	6	21	2	95
1286 68	7	11.41	1537	266	-68 W	2	70	3	81	1326 68	8	5.23	1537	298	-58 W	3	24	2	26
1287 68	7	11.41	1537	266	-42 W	3	29	1	39	1327 68	8	5.23	1537	298	-44 W	10	90	2	330
1288 68	7	11.41	1537	266	-1 W	1	18	1	10	1328 68	8	5.23	1537	298	-26 W	1	12	2	10
1289 68	7	11.41	1537	266	+26 W	12	77	2	280	1329 68	8	5.23	1537	298	+11 W	10	18	1	85
1290 68	7	11.41	1537	266	+61 W	1	10	1	7	1330 68	8	14.23	1538	0	+59 E	2	14	2	21
1291 68	7	12.50	1537	72	+76 E	3	50	1	73	1331 68	8	14.23	1538	0	+16 E	8	33	2	190
1292 68	7	12.50	1537	72	+44 E	8	31	2	157	1332 68	8	14.23	1538	0	-53 E	6	42	2	95
1293 68	7	12.50	1537	72	+29 E	2	40	2	58	1333 68	8	14.23	1538	180	-61 W	3	100	3	140
1294 68	7	12.50	1537	252	-76 W	4	40	2	80	1334 68	8	14.23	1538	180	-43 W	4	53	1	40
1295 68	7	12.50	1537	252	-50 W	2	10	1	11	1335 68	8	14.23	1538	180	+35 W	2	41	1	22
1296 68	7	12.50	1537	252	-41 W	3	22	2	48	1336 68	8	16.24	1538	333	+57 E	3	15	1	20
1297 68	7	12.50	1537	252	-27 W	2	18	2	17	1337 68	8	16.24	1538	333	+23 E	5	25	2	90
1298 68	7	12.50	1537	252	+25 W	11	42	1	98	1338 68	8	16.24	1538	333	+10 E	1	70	2	95
1299 68	7	13.26	1537	61	+38 E	10	34	2	108	1339 68	8	16.24	1538	333	-28 E	3	15	1	25
1300 68	7	13.26	1537	61	+11 E	4	12	2	37	1340 68	8	16.24	1538	333	-58 E	4	83	3	155
1301 68	7	13.26	1537	61	-1 E	5	27	2	88	1341 68	8	16.24	1538	153	-55 W	7	122	2	160
1302 68	7	13.26	1537	61	-38 E	1	22	1	16	1342 68	8	16.24	1538	153	-32 W	2	32	2	45
1303 68	7	13.26	1537	61	-53 E	8	31	1	110	1343 68	8	16.24	1538	153	-22 W	3	40	1	55
1304 68	7	13.26	1537	241	-63 W	5	58	3	113	1344 68	8	16.24	1538	153	+23 W	16	79	3	530
1305 68	7	13.26	1537	241	-51 W	1	31	2	24	1345 68	8	16.24	1538	153	+41 W	2	70	3	90
1306 68	7	13.26	1537	241	-36 W	13	100	1	345	1346 68	8	20.41	1538	278	+46 E	7	21	2	45
1307 68	7	13.26	1537	241	-23 W	2	13	2	12	1347 68	8	20.41	1538	278	-51 E	4	20	2	40
1308 68	7	13.26	1537	241	+27 W	13	38	2	188	1348 68	8	20.41	1538	278	-67 E	2	20	2	35
1309 68	8	1.17	1537	172	+65 E	7	40	2	108	1349 68	8	20.41	1538	98	-33 W	6	49	3	180
1310 68	8	1.17	1537	172	+28 E	8	20	2	95	1350 68	8	20.41	1538	98	-18 W	9	50	3	190

TABLE 1 CONTINUED

1351 68	8	20.41	1538	98	+23 W	5	150	2	85	1391 68	9	4.23	1539	262	+8 W	1	10	1	12
1352 68	8	20.41	1538	98	+73 W	4	11	2	25	1392 68	9	4.23	1539	262	+29 W	1	9	1	11
1353 68	8	21.26	1538	267	+47 E	3	11	2	20	1393 68	9	4.23	1539	262	+74 W	1	10	1	11
1354 68	8	21.26	1538	267	+22 E	1	10	1	10	1394 68	9	4.23	1539	262	+84 W	8	16	2	64
1355 68	8	21.26	1538	267	+11 E	9	22	3	75	1395 68	9	10.35	1539	2	+19 E	25	62	2	570
1356 68	8	21.26	1538	267	-2 E	8	22	3	110	1396 68	9	10.35	1539	2	-36 E	7	80	1	72
1357 68	8	21.26	1538	267	-38 E	4	20	2	65	1397 68	9	10.35	1539	2	-56 E	4	37	1	103
1358 68	8	21.26	1538	87	-39 W	3	45	2	88	1398 68	9	10.35	1539	182	-61 W	9	52	2	270
1359 68	8	21.26	1538	87	-17 W	12	70	3	455	1399 68	9	10.35	1539	182	-40 W	5	30	1	132
1360 68	8	21.26	1538	87	+34 W	2	15	2	20	1400 68	9	10.35	1539	182	-15 W	2	21	1	41
1361 68	8	21.26	1538	87	+75 W	3	15	2	20	1401 68	9	10.35	1539	182	-5 W	4	28	2	93
1362 68	8	29.24	1538	161	+76 E	4	20	2	25	1402 68	9	10.35	1539	182	+33 W	3	19	1	30
1363 68	8	29.24	1538	161	+63 E	1	22	2	20	1403 68	10	3.30	1540	59	+77 E	7	20	2	35
1364 68	8	29.24	1538	161	+47 E	2	20	1	15	1404 68	10	3.30	1540	59	+66 E	9	45	2	105
1365 68	8	29.24	1538	161	+32 E	1	20	3	15	1405 68	10	3.30	1540	59	+44 E	3	40	1	35
1366 68	8	29.24	1538	161	+22 E	12	40	3	240	1406 68	10	3.30	1540	59	+30 E	1	25	2	25
1367 68	8	29.24	1538	161	-63 E	5	20	1	45	1407 68	10	3.30	1540	59	+10 E	26	130	2	270
1368 68	8	29.24	1538	341	-54 W	14	80	1	155	1408 68	10	3.30	1540	59	-12 E	11	20	2	30
1369 68	8	29.24	1538	341	-24 W	12	50	3	200	1409 68	10	3.30	1540	59	-33 E	4	60	3	120
1370 68	8	29.24	1538	341	+15 W	4	70	3	90	1410 68	10	3.30	1540	239	-57 W	1	10	1	10
1371 68	8	29.24	1538	341	+52 W	2	19	2	20	1411 68	10	3.30	1540	239	-45 W	2	20	2	20
1372 68	8	29.24	1538	341	+62 W	1	10	1	10	1412 68	10	3.30	1540	239	-35 W	6	115	2	130
1373 68	8	29.24	1538	341	+73 W	1	10	1	10	1413 68	10	3.30	1540	239	+18 W	3	15	3	30
1374 68	9	3.22	1538	96	+73 E	1	10	2	10	1414 68	10	3.30	1540	239	+28 W	2	20	3	20
1375 68	9	3.22	1538	96	+68 E	1	19	2	21	1415 68	10	3.30	1540	239	+80 W	2	10	1	15
1376 68	9	3.22	1538	96	+31 E	2	11	1	15	1416 68	10	4.26	1540	46	+76 E	2	40	2	65
1377 68	9	3.22	1538	96	+25 E	1	18	1	11	1417 68	10	4.26	1540	46	+68 E	8	60	1	85
1378 68	9	3.22	1538	96	-50 E	24	112	2	467	1418 68	10	4.26	1540	46	+45 E	3	40	1	45
1379 68	9	3.22	1538	276	-59 W	4	17	2	42	1419 68	10	4.26	1540	46	+32 E	3	20	1	20
1380 68	9	3.22	1538	276	-45 W	9	40	2	257	1420 68	10	4.26	1540	46	+5 E	18	100	2	175
1381 68	9	3.22	1538	276	+21 W	26	29	2	313	1421 68	10	4.26	1540	46	-36 E	15	70	3	130
1382 68	9	3.22	1538	276	+59 W	1	20	1	12	1422 68	10	4.26	1540	266	-63 W	12	20	1	50
1383 68	9	3.22	1538	276	+80 W	7	15	1	72	1423 68	10	4.26	1540	266	-32 W	1	35	1	20
1384 68	9	4.23	1539	82	+76 E	2	12	1	22	1424 68	10	4.26	1540	266	-18 W	15	40	1	100
1385 68	9	4.23	1539	82	+29 E	11	118	2	218	1425 68	10	4.26	1540	266	+9 W	1	50	1	25
1386 68	9	4.23	1539	82	+43 E	5	28	2	71	1426 68	10	4.26	1540	266	+38 W	4	20	1	25
1387 68	9	4.23	1539	82	-42 E	2	18	2	30	1427 68	10	4.26	1540	266	+62 W	1	20	2	15
1388 68	9	4.23	1539	262	-59 W	2	12	1	17	1428 68	10	5.25	1540	33	+70 E	13	45	2	95
1389 68	9	4.23	1539	262	-38 W	11	20	1	94	1429 68	10	5.25	1540	33	+42 E	3	20	2	30
1390 68	9	4.23	1539	262	-12 W	1	10	1	10	1430 68	10	5.25	1540	33	-40 E	4	50	2	65

TABLE 1 CONTINUED

TABLE 1 CONTINUED

1431 68 10	5.25	1540	33	-59 E	2	70	1	40	1471 68 10	17.28	1540	54	-16 W	1	12	2	10
1432 68 10	5.25	1540	213	-61 W	11	30	2	55	1472 68 10	17.28	1540	54	-7 W	4	2	3	33
1433 68 10	5.25	1540	213	-12 W	13	50	3	260	1473 68 10	17.28	1540	54	+18 W	2	32	3	35
1434 68 10	5.25	1540	213	+21 W	13	40	2	110	1474 68 10	17.28	1540	54	+29 W	8	44	3	130
1435 68 10	5.25	1540	213	+43 W	4	40	2	35	1475 68 10	17.28	1540	54	+67 W	3	38	1	44
1436 68 10	6.25	1540	20	+70 E	8	25	1	50	1476 68 10	20.41	1540	193	+65 E	6	40	2	130
1437 68 10	6.25	1540	20	+46 E	1	50	1	30	1477 68 10	20.41	1540	193	+34 E	3	40	3	55
1438 68 10	6.25	1540	20	-58 E	5	110	2	160	1478 68 10	20.41	1540	193	-32 E	19	35	3	160
1439 68 10	6.25	1540	200	-61 W	12	40	2	55	1479 68 10	20.41	1540	193	-63 E	4	30	2	66
1440 68 10	6.25	1540	200	-22 W	7	15	1	25	1480 68 10	20.41	1540	13	-54 W	2	62	1	25
1441 68 10	6.25	1540	200	-9 W	11	100	3	275	1481 68 10	20.41	1540	13	+21 W	20	51	3	660
1442 68 10	6.25	1540	200	+19 W	1	10	1	10	1482 68 10	20.41	1540	13	+52 W	6	33	2	55
1443 68 10	6.25	1540	200	+30 W	1	40	1	20	1483 68 10	20.41	1540	13	+70 W	2	21	3	23
1444 68 10	6.25	1540	200	+43 W	5	60	3	135	1484 68 10	20.41	1540	13	+82 W	4	40	1	40
1445 68 10	6.25	1540	200	+67 W	4	30	1	45	1485 68 10	23.27	1540	155	+83 E	5	95	1	55
1446 68 10	8.30	1540	353	+71 E	1	20	2	15	1486 68 10	23.27	1540	155	+66 E	5	38	1	45
1447 68 10	8.30	1540	353	+45 E	20	65	2	270	1487 68 10	23.27	1540	155	+58 E	2	22	2	30
1448 68 10	8.30	1540	353	-59 E	9	80	3	220	1488 68 10	23.27	1540	155	+30 E	7	39	1	40
1449 68 10	8.30	1540	173	-61 W	8	40	3	100	1489 68 10	23.27	1540	155	+11 E	10	40	3	115
1450 68 10	8.30	1540	173	-34 W	5	20	2	45	1490 68 10	23.27	1540	155	-29 E	2	18	1	22
1451 68 10	8.30	1540	173	-3 W	8	50	2	115	1491 68 10	23.27	1540	155	-39 E	6	19	2	20
1452 68 10	8.30	1540	173	+25 W	3	10	2	30	1492 68 10	23.27	1540	155	-66 E	7	80	3	285
1453 68 10	8.30	1540	173	+46 W	1	10	1	10	1493 68 10	23.27	1540	335	-54 W	5	35	2	70
1454 68 10	16.27	1540	247	+68 E	3	41	2	55	1494 68 10	23.27	1540	335	-23 W	2	13	2	15
1455 68 10	16.27	1540	247	+11 E	13	54	1	84	1495 68 10	23.27	1540	335	+16 W	7	40	2	45
1456 68 10	16.27	1540	247	-47 E	3	27	2	33	1496 68 10	23.27	1540	335	+42 W	6	11	2	37
1457 68 10	16.27	1540	247	-57 E	8	100	3	390	1497 68 10	24.41	1540	140	+74 E	3	34	1	30
1458 68 10	16.27	1540	67	-58 W	3	24	3	30	1498 68 10	24.41	1540	140	+57 E	4	51	2	66
1459 68 10	16.27	1540	67	-20 W	12	30	3	170	1499 68 10	24.41	1540	140	+15 E	23	30	2	210
1460 68 10	16.27	1540	67	+44 W	10	26	1	80	1500 68 10	24.41	1540	140	-3 E	13	68	3	365
1461 68 10	16.27	1540	67	+66 W	3	30	1	25	1501 68 10	24.41	1540	140	-44 E	9	27	2	60
1462 68 10	17.28	1540	234	+67 E	3	39	2	66	1502 68 10	24.41	1540	140	-65 E	5	44	3	145
1463 68 10	17.28	1540	234	+50 E	4	22	1	45	1503 68 10	24.41	1540	320	-51 W	2	11	2	11
1464 68 10	17.28	1540	234	+7 E	10	38	2	70	1504 68 10	24.41	1540	320	-24 W	15	29	2	65
1465 68 10	17.28	1540	234	-17 E	5	15	2	44	1505 68 10	24.41	1540	320	-6 W	3	50	2	25
1466 68 10	17.28	1540	234	-53 E	9	42	2	75	1506 68 10	24.41	1540	320	+23 W	9	60	1	55
1467 68 10	17.28	1540	54	-68 W	2	28	1	30	1507 68 10	24.41	1540	320	+47 W	3	20	2	31
1468 68 10	17.28	1540	54	-58 W	1	30	3	29	1508 68 10	24.41	1540	320	+74 W	2	21	2	20
1469 68 10	17.28	1540	54	-43 W	2	38	1	28	1509 68 10	27.29	1540	102	+67 E	4	50	1	35
1470 68 10	17.28	1540	54	-30 W	1	13	2	15	1510 68 10	27.29	1540	102	+43 E	9	28	2	90

TABLE 1 CONTINUED

TABLE 1 CONTINUED

1511 68 10	27.29	1540	102	+29 E	1	22	2	14	1551 68 11	11.40	1541	263	-26 E	1	15	1	15
1512 68 10	27.29	1540	102	+9 E	8	28	3	105	1552 68 11	11.40	1541	263	-39 E	1	10	2	10
1513 68 10	27.29	1540	102	-68 E	2	11	1	11	1553 68 11	11.40	1541	263	-54 E	1	10	2	10
1514 68 10	27.29	1540	282	-52 W	2	20	2	30	1554 68 11	11.40	1541	263	-75 E	1	20	1	15
1515 68 10	27.29	1540	282	-28 W	13	50	3	145	1555 68 11	11.40	1541	83	-50 W	3	55	3	95
1516 68 10	27.29	1540	232	+31 W	9	20	2	105	1556 68 11	11.40	1541	83	-37 W	3	15	3	35
1517 68 10	27.29	1540	282	+44 W	3	30	2	50	1557 68 11	11.40	1541	83	-2 W	5	40	2	85
1518 68 10	27.29	1540	282	+58 W	5	18	2	55	1558 68 11	11.40	1541	83	+37 W	3	30	2	50
1519 68 10	27.29	1540	282	+77 W	3	44	2	90	1559 68 11	11.40	1541	83	+48 W	3	50	3	80
1520 68 10	28.34	1541	88	+68 E	3	100	1	30	1560 68 11	11.40	1541	83	+67 W	5	45	2	85
1521 68 10	28.34	1541	88	+42 E	4	39	3	75	1561 68 11	11.40	1541	83	+74 W	1	15	1	15
1522 68 10	28.34	1541	88	+32 E	6	12	2	60	1562 68 11	11.40	1541	83	+78 W	1	15	1	20
1523 68 10	28.34	1541	88	+11 E	7	20	2	48	1563 68 11	11.40	1541	83	+85 W	2	40	1	40
1524 68 10	28.34	1541	88	+3 E	2	26	1	11	1564 68 11	14.36	1541	224	+76 E	17	40	2	20
1525 68 10	28.34	1541	88	-39 E	9	21	2	38	1565 68 11	14.36	1541	224	+45 E	1	15	2	20
1526 68 10	28.34	1541	268	-53 W	2	20	2	24	1566 68 11	14.36	1541	224	-22 E	3	25	1	25
1527 68 10	28.34	1541	268	-42 W	5	19	2	35	1567 68 11	14.36	1541	224	-53 E	5	10	2	20
1528 68 10	28.34	1541	268	-33 W	6	35	2	65	1568 68 11	14.36	1541	44	-56 W	2	20	1	25
1529 68 10	28.34	1541	268	+11 W	13	20	3	125	1569 68 11	14.36	1541	224	-32 E	9	20	2	95
1530 68 10	28.34	1541	268	+29 W	11	31	2	190	1570 68 11	14.36	1541	44	-20 W	1	40	1	20
1531 68 10	28.34	1541	268	+43 W	3	24	2	40	1571 68 11	14.36	1541	44	+17 W	3	15	2	30
1532 68 10	28.34	1541	268	+57 W	3	20	2	38	1572 68 11	14.36	1541	44	+26 W	2	20	2	20
1533 68 10	28.34	1541	268	+77 W	5	30	3	70	1573 68 11	19.32	1541	158	+80 E	3	75	2	70
1534 68 11	1.52	1541	33	+63 E	3	50	2	55	1574 68 11	19.32	1541	158	+69 E	2	40	2	55
1535 68 11	1.52	1541	33	+38 E	9	70	1	95	1575 68 11	19.32	1541	158	+33 E	18	75	3	400
1536 68 11	1.52	1541	33	+3 E	3	20	1	25	1576 68 11	19.32	1541	158	-12 E	2	40	1	15
1537 68 11	1.52	1541	33	-39 E	7	30	2	65	1577 68 11	19.32	1541	158	-24 E	6	20	3	60
1538 68 11	1.52	1541	33	-63 E	6	50	3	70	1578 68 11	19.32	1541	158	-65 E	1	10	1	10
1539 68 11	1.52	1541	213	-58 W	2	20	3	25	1579 68 11	19.32	1541	338	-60 W	5	60	2	75
1540 68 11	1.52	1541	213	-55 W	1	10	3	10	1580 68 11	19.32	1541	338	-20 W	5	40	3	115
1541 68 11	1.52	1541	213	-48 W	2	20	3	25	1581 68 11	19.32	1541	338	-8 W	4	20	2	35
1542 68 11	1.52	1541	213	-22 W	5	20	1	20	1582 68 11	19.32	1541	338	+4 W	4	20	1	60
1543 68 11	1.52	1541	213	+7 W	1	40	2	15	1583 68 11	19.32	1541	338	+35 W	32	100	1	280
1544 68 11	1.52	1541	213	+39 W	4	15	2	25	1584 68 11	19.32	1541	338	+73 W	3	15	2	20
1545 68 11	1.52	1541	213	+51 W	1	20	1	10	1585 68 11	23.32	1541	105	+67 E	1	50	1	20
1546 68 11	1.52	1541	213	+74 W	1	20	1	15	1586 68 11	23.32	1541	105	+19 E	20	35	1	125
1547 68 11	11.40	1541	263	+71 E	5	40	2	50	1587 68 11	23.32	1541	105	-14 E	2	10	2	20
1548 68 11	11.40	1541	263	+57 E	1	15	3	15	1588 68 11	23.32	1541	105	-23 E	1	10	2	10
1549 68 11	11.40	1541	263	+30 E	1	20	1	15	1589 68 11	23.32	1541	105	-43 E	13	45	3	190
1550 68 11	11.40	1541	263	+5 E	14	55	3	250	1590 68 11	23.32	1541	285	-53 W	4	40	2	65

TABLE 1 CONTINUED

TABLE 1 CONTINUED

1591 68 11	23.32	1541	285	-31 W	1	15	2	15	1631 68 11	28.34	1542	219	-17 W	1	10	2	10
1592 68 11	23.32	1541	285	-12 W	8	20	1	50	1632 68 11	28.34	1542	219	+23 W	4	15	2	35
1593 68 11	23.32	1541	285	-4 W	3	20	1	40	1633 68 11	28.34	1542	219	+51 W	4	15	2	20
1594 68 11	23.32	1541	285	+13 W	27	40	3	670	1634 68 11	28.34	1542	219	+76 W	2	65	3	70
1595 68 11	23.32	1541	285	+55 W	9	105	2	150	1635 68 11	29.35	1542	26	+82 E	1	30	1	20
1596 68 11	23.32	1541	285	+75 W	4	30	2	45	1636 68 11	29.35	1542	26	+24 E	8	40	1	50
1597 68 11	24.32	1542	92	+26 E	17	50	2	210	1637 68 11	29.35	1542	26	+9 E	4	20	1	40
1598 68 11	24.32	1542	92	+11 E	2	10	2	20	1638 68 11	29.35	1542	26	-9 E	6	20	1	65
1599 68 11	24.32	1542	92	-38 E	15	70	2	150	1639 68 11	29.35	1542	26	-46 E	5	40	2	60
1600 68 11	24.32	1542	272	-52 W	1	40	3	30	1640 68 11	29.35	1542	26	-66 E	2	10	2	20
1601 68 11	24.32	1542	272	-44 W	1	20	2	15	1641 68 11	29.35	1542	206	-56 W	9	60	1	90
1602 68 11	24.32	1542	272	-28 W	7	30	3	55	1642 68 11	29.35	1542	206	-45 W	1	15	1	15
1603 68 11	24.32	1542	272	-7 W	6	20	3	110	1643 68 11	29.35	1542	206	+32 W	5	20	2	40
1604 68 11	24.32	1542	272	+23 W	34	50	3	830	1644 68 11	29.35	1542	206	+50 W	2	40	2	30
1605 68 11	24.32	1542	272	+52 W	2	10	2	20	1645 68 11	29.35	1542	206	+80 W	10	50	2	130
1606 68 11	24.32	1542	272	+79 W	4	15	2	30	1646 68 11	30.32	1542	13	+40 E	1	10	2	10
1607 68 11	26.32	1542	66	+58 E	2	40	1	30	1647 68 11	30.32	1542	13	+28 E	3	20	2	50
1608 68 11	26.32	1542	66	+19 E	52	45	2	380	1648 68 11	30.32	1542	13	+21 E	2	20	1	30
1609 68 11	26.32	1542	66	-20 E	2	30	2	35	1649 68 11	30.32	1542	13	+11 E	7	40	1	85
1610 68 11	26.32	1542	66	-37 E	22	50	2	250	1650 68 11	30.32	1542	13	-28 E	2	20	1	20
1611 68 11	26.32	1542	246	-33 W	2	15	2	20	1651 68 11	30.32	1542	13	-47 E	8	80	2	120
1612 68 11	26.32	1542	246	-17 W	4	25	2	50	1652 68 11	30.32	1542	13	-67 E	1	20	2	15
1613 68 11	26.32	1542	246	+47 W	13	60	2	135	1653 68 11	30.32	1542	193	-56 W	8	150	2	150
1614 68 11	26.32	1542	246	+67 W	2	30	2	35	1654 68 11	30.32	1542	193	-47 W	2	15	2	20
1615 68 11	27.33	1542	52	+39 E	2	10	2	20	1655 68 11	30.32	1542	193	-8 W	40	40	3	890
1616 68 11	27.33	1542	52	+31 E	3	15	2	30	1656 68 11	30.32	1542	193	+33 W	8	35	3	130
1617 68 11	27.33	1542	52	+15 E	18	80	2	330	1657 68 11	30.32	1542	193	+52 W	1	15	2	15
1618 68 11	27.33	1542	52	-33 E	13	30	2	140	1658 68 11	30.32	1542	193	+79 W	5	20	3	30
1619 68 11	27.33	1542	52	-71 E	3	20	1	25	1659 68 12	1.33	1542	0	+58 E	1	20	1	15
1620 68 11	27.33	1542	232	-18 W	13	40	2	90	1660 68 12	1.33	1542	0	+18 E	21	30	1	120
1621 68 11	27.33	1542	232	+14 W	6	10	2	40	1661 68 12	1.33	1542	0	-26 E	6	75	1	60
1622 68 11	27.33	1542	232	+47 W	11	20	2	60	1662 68 12	1.33	1542	0	-47 E	11	60	1	90
1623 68 11	27.33	1542	232	+78 W	5	40	3	70	1663 68 12	1.33	1542	0	-66 E	4	25	2	40
1624 68 11	28.34	1542	39	+50 E	19	140	1	290	1664 68 12	1.33	1542	180	-42 W	31	120	2	190
1625 68 11	28.34	1542	39	-1 E	49	100	2	530	1665 68 12	1.33	1542	180	-1 W	26	60	3	520
1626 68 11	28.34	1542	39	-38 E	9	40	2	40	1666 68 12	1.33	1542	180	+42 W	3	30	2	20
1627 68 11	28.34	1542	39	-68 E	7	20	2	60	1667 68 12	1.33	1542	180	+77 W	8	30	2	50
1628 68 11	28.34	1542	219	-53 W	3	10	2	25	1668 68 12	2.43	1542	345	+48 E	4	20	3	65
1629 68 11	28.34	1542	219	-45 W	1	10	2	10	1669 68 12	2.43	1542	345	+9 E	31	70	1	260
1630 68 11	28.34	1542	219	-28 W	1	10	2	10	1670 68 12	2.43	1542	345	-49 E	8	60	2	155

TABLE 1 CONTINUED

TABLE 1 CONTINUED

1671 68 12	2.43	1542	345	-67 E	2	40	2	40	2	40	1711 68 12	7.33	1542	230	-12 E	11	70	2	150
1672 68 12	2.43	1542	165	-39 W	5	70	2	140			1712 68 12	7.33	1542	280	-66 E	5	20	2	30
1673 68 12	2.43	1542	165	-15 W	10	55	2	65			1713 68 12	7.33	1542	100	-59 W	2	10	1	20
1674 68 12	2.43	1542	165	+11 W	4	75	2	100			1714 68 12	7.33	1542	100	-38 W	3	30	2	25
1675 68 12	2.43	1542	165	+44 W	6	50	2	85			1715 68 12	7.33	1542	100	+26 W	15	40	2	160
1676 68 12	2.43	1542	165	+57 W	3	60	2	40			1716 68 12	7.33	1542	100	+77 W	12	55	1	110
1677 68 12	2.43	1542	165	+78 W	2	20	1	20			1717 68 12	8.36	1542	267	+66 E	1	15	2	15
1678 68 12	3.33	1542	333	+63 E	7	15	2	30			1718 68 12	8.36	1542	267	+37 E	28	100	3	710
1679 68 12	3.33	1542	333	+42 E	11	60	2	120			1719 68 12	8.36	1542	267	-38 E	5	20	3	40
1680 68 12	3.33	1542	333	+11 E	23	110	1	330			1720 68 12	8.36	1542	267	-64 E	3	25	1	35
1681 68 12	3.33	1542	333	-7 E	3	20	2	20			1721 68 12	8.36	1542	87	-71 W	5	10	2	30
1682 68 12	3.33	1542	333	-15 E	3	15	2	25			1722 68 12	8.36	1542	87	+31 W	14	85	2	190
1683 68 12	3.33	1542	333	-29 E	1	10	2	10			1723 68 12	8.36	1542	87	+77 W	6	40	1	80
1684 68 12	3.33	1542	333	-60 E	3	30	2	35			1724 68 12	9.32	1542	234	+69 E	8	30	2	60
1685 68 12	3.33	1542	153	-8 W	47	65	3	440			1725 68 12	9.32	1542	234	+39 E	22	130	3	610
1686 68 12	3.33	1542	153	+32 W	26	60	2	245			1726 68 12	9.32	1542	234	+1 E	1	10	2	10
1687 68 12	3.33	1542	153	+76 W	1	15	1	20			1727 68 12	9.32	1542	234	-28 E	2	20	2	30
1688 68 12	4.36	1542	320	+44 E	3	15	2	45			1728 68 12	9.32	1542	234	-41 E	4	20	2	30
1689 68 12	4.36	1542	320	+11 E	21	40	1	75			1729 68 12	9.32	1542	234	-66 E	3	55	2	35
1690 68 12	4.36	1542	320	-23 E	8	20	2	70			1730 68 12	9.32	1542	74	-21 W	4	10	1	30
1691 68 12	4.36	1542	320	-66 E	3	20	2	35			1731 68 12	9.32	1542	74	-10 W	2	30	1	25
1692 68 12	4.36	1542	140	-60 W	2	70	1	35			1732 68 12	9.32	1542	74	-3 W	3	30	1	30
1693 68 12	4.36	1542	140	-12 W	25	80	3	460			1733 68 12	9.32	1542	74	+12 W	3	30	3	40
1694 68 12	4.36	1542	140	-3 W	3	40	1	20			1734 68 12	9.32	1542	74	+77 W	7	50	1	50
1695 68 12	4.36	1542	140	+16 W	15	30	2	150			1735 68 12	10.36	1542	240	+71 E	2	20	2	15
1696 68 12	4.36	1542	140	+46 W	1	20	1	20			1736 68 12	10.36	1542	240	+3 E	11	30	3	160
1697 68 12	4.36	1542	140	+77 W	2	20	1	25			1737 68 12	10.36	1542	240	-25 E	7	50	3	145
1698 68 12	6.32	1542	294	+62 E	2	10	1	20			1738 68 12	10.36	1542	240	-42 E	3	30	3	60
1699 68 12	6.32	1542	294	+43 E	3	20	2	20			1739 68 12	10.36	1542	240	-63 E	3	45	2	50
1700 68 12	6.32	1542	294	+13 E	5	20	2	40			1740 68 12	10.36	1542	60	-22 W	10	30	3	135
1701 68 12	6.32	1542	294	-15 E	18	50	2	140			1741 68 12	10.36	1542	60	-8 W	4	20	1	40
1702 68 12	6.32	1542	294	-67 E	5	20	2	40			1742 68 12	10.36	1542	60	+31 W	21	30	3	150
1703 68 12	6.32	1542	114	-59 W	3	50	2	40			1743 68 12	10.36	1542	60	+73 W	2	50	1	50
1704 68 12	6.32	1542	114	-32 W	15	40	3	185			1744 68 12	11.32	1542	228	+15 E	33	70	2	370
1705 68 12	6.32	1542	114	-12 W	13	80	1	45			1745 68 12	11.32	1542	228	-27 E	7	10	2	50
1706 68 12	6.32	1542	114	+14 W	2	10	1	15			1746 68 12	11.32	1542	228	-44 E	1	20	1	15
1707 68 12	6.32	1542	114	+76 W	9	40	1	60			1747 68 12	11.32	1542	228	-64 E	3	210	1	75
1708 68 12	7.33	1542	280	+68 E	1	20	1	20			1748 68 12	11.32	1542	48	-24 W	9	30	3	170
1709 68 12	7.33	1542	280	+47 E	1	125	3	130			1749 68 12	11.32	1542	48	+9 W	21	35	2	100
1710 68 12	7.33	1542	280	+32 E	5	30	3	110			1750 68 12	11.32	1542	48	+35 W	14	60	3	345

TABLE 1 CONTINUED

TABLE 1 CONTINUED

1751 68 12	11.32	1542	48	+75 W	4	70	1	85	1791 68 12	16.49	1542	159	+69 E	2	20	2	25
1752 68 12	11.32	1542	48	+84 W	2	15	1	15	1792 68 12	16.49	1542	159	+18 E	15	50	3	220
1753 68 12	12.34	1542	214	+80 E	1	20	2	10	1793 68 12	16.49	1542	159	+2 E	3	50	1	55
1754 68 12	12.34	1542	214	+69 E	2	30	2	25	1794 68 12	16.49	1542	159	-27 E	3	20	3	50
1755 68 12	12.34	1542	214	+26 E	13	90	2	300	1795 68 12	16.49	1542	339	-16 W	3	10	3	20
1756 68 12	12.34	1542	214	-23 E	6	20	1	30	1796 68 12	16.49	1542	339	+30 W	8	20	3	60
1757 68 12	12.34	1542	34	-27 W	2	20	2	20	1797 68 12	16.49	1542	339	+59 W	16	15	2	50
1758 68 12	12.34	1542	34	-13 W	1	30	2	25	1798 68 12	16.49	1542	339	+76 W	3	50	1	35
1759 68 12	12.34	1542	34	+16 W	21	40	3	210	1799 68 12	25.43	1543	41	+31 E	3	10	3	20
1760 68 12	12.34	1542	34	+38 W	10	35	3	120	1800 68 12	25.43	1543	41	+16 E	1	40	2	20
1761 68 12	12.34	1542	34	+73 W	21	80	1	180	1801 68 12	25.43	1543	41	-1 E	9	30	3	70
1762 68 12	14.35	1542	188	+69 E	3	45	2	70	1802 68 12	25.43	1543	41	-37 E	9	25	3	130
1763 68 12	14.35	1542	188	+39 E	13	110	1	125	1803 68 12	25.43	1543	41	-67 E	3	50	2	100
1764 68 12	14.35	1542	188	+23 E	2	20	3	30	1804 68 12	25.43	1543	221	-17 W	11	70	1	90
1765 68 12	14.35	1542	188	-6 E	27	60	3	630	1805 68 12	25.43	1543	221	+1 W	12	40	1	50
1766 68 12	14.35	1542	188	-30 E	3	20	2	25	1806 68 12	25.43	1543	221	+28 W	5	20	3	50
1767 68 12	14.35	1542	188	-36 E	1	10	2	10	1807 68 12	25.43	1543	221	+41 W	4	20	3	30
1768 68 12	14.35	1542	188	-44 E	3	30	2	20	1808 68 12	25.43	1543	221	+69 W	10	40	1	140
1769 68 12	14.35	1542	188	-53 E	2	30	1	25	1809 69 1	1.34	1543	310	+68 E	6	50	1	55
1770 68 12	14.35	1542	8	-18 W	4	20	3	40	1810 69 1	1.34	1543	310	+32 E	13	50	2	70
1771 68 12	14.35	1542	8	+26 W	33	80	2	220	1811 69 1	1.34	1543	310	+18 E	6	65	2	170
1772 68 12	14.35	1542	8	+47 W	10	40	2	110	1812 69 1	1.34	1543	310	-32 E	18	20	3	110
1773 68 12	14.35	1542	8	+66 W	1	40	1	20	1813 69 1	1.34	1543	310	-66 E	3	20	2	35
1774 68 12	14.35	1542	8	+72 W	2	75	1	65	1814 69 1	1.34	1543	130	-53 W	9	40	2	120
1775 68 12	14.35	1542	8	+87 W	11	40	1	70	1815 69 1	1.34	1543	130	-23 W	16	40	3	350
1776 68 12	15.36	1542	174	+85 E	6	50	1	55	1816 69 1	1.34	1543	130	+10 W	13	80	3	610
1777 68 12	15.36	1542	174	+69 E	1	15	2	15	1817 69 1	5.37	1543	257	+61 E	6	80	1	130
1778 68 12	15.36	1542	174	+31 E	1	40	1	20	1818 69 1	5.37	1543	257	+29 E	4	30	3	50
1779 68 12	15.36	1542	174	+18 E	7	35	1	80	1819 69 1	5.37	1543	257	+15 E	1	10	3	10
1780 68 12	15.36	1542	174	-8 E	26	50	3	530	1820 69 1	5.37	1543	257	-16 E	2	30	2	20
1781 68 12	15.36	1542	174	-35 E	4	40	2	35	1821 69 1	5.37	1543	257	-37 E	4	10	2	20
1782 68 12	15.36	1542	174	-57 E	11	75	1	50	1822 69 1	5.37	1543	257	-65 E	2	20	1	15
1783 68 12	15.36	1542	354	-58 W	1	10	2	10	1823 69 1	5.37	1543	77	-37 W	8	40	2	140
1784 68 12	15.36	1542	354	-17 W	2	10	2	20	1824 69 1	5.37	1543	77	-9 W	4	30	1	35
1785 68 12	15.36	1542	354	+18 W	20	110	3	310	1825 69 1	5.37	1543	77	+14 W	19	60	3	440
1786 68 12	15.36	1542	354	+36 W	1	20	1	15	1826 69 1	5.37	1543	77	+78 W	5	40	1	40
1787 68 12	15.36	1542	354	+48 W	7	30	3	85	1827 69 1	6.35	1543	244	+68 E	1	20	1	15
1788 68 12	15.36	1542	354	+65 W	2	30	1	30	1828 69 1	6.35	1543	244	+61 E	5	70	1	90
1789 68 12	15.36	1542	354	+74 W	2	35	1	35	1829 69 1	6.35	1543	244	+19 E	21	60	3	290
1790 68 12	15.36	1542	354	+82 W	1	10	1	10	1830 69 1	6.35	1543	244	0 E	3	20	2	30

TABLE 1 CONTINUED

TABLE 1 CONTINUED

1831 69 1	6.35	1543	244	-23 E 11	40 2	70	1871 69 1	10.35	1543	11	-62 W 1	10 2	10
1832 69 1	6.35	1543	244	-40 E 7	30 2	40	1872 69 1	10.35	1543	11	-40 W 8	40 2	80
1833 69 1	6.35	1543	244	-68 E 4	10 2	40	1873 69 1	10.35	1543	11	+1 W 10	20 2	55
1834 69 1	6.35	1543	64	-50 W 31	40 1	130	1874 69 1	10.35	1543	11	+32 W 4	20 1	40
1835 69 1	6.35	1543	64	-4 W 9	30 3	130	1875 69 1	10.35	1543	11	+77 W 2	15 1	25
1836 69 1	6.35	1543	64	+16 W 19	40 3	380	1876 69 1	11.35	1543	178	+62 E 1	40 2	30
1837 69 1	6.35	1543	64	+75 W 9	30 2	30	1877 69 1	11.35	1543	178	+16 E 12	20 1	60
1838 69 1	7.34	1543	231	+82 E 1	20 1	10	1878 69 1	11.35	1543	178	+47 E 18	40 2	85
1839 69 1	7.34	1543	231	+59 E 6	55 1	85	1879 69 1	11.35	1543	358	-62 W 1	30 3	30
1840 69 1	7.34	1543	231	+16 E 8	30 2	60	1880 69 1	11.35	1543	358	-42 W 6	50 3	160
1841 69 1	7.34	1543	231	-43 E 2	20 2	30	1881 69 1	11.35	1543	358	+28 W 7	40 3	125
1842 69 1	7.34	1543	231	-68 E 1	10 2	10	1882 69 1	11.35	1543	358	+43 W 7	10 3	15
1843 69 1	7.34	1543	51	-41 W 4	40 2	70	1883 69 1	11.35	1543	358	+72 W 5	40 1	30
1844 69 1	7.34	1543	51	+5 W 4	50 3	65	1884 69 1	12.34	1543	165	+13 E 28	50 2	240
1845 69 1	7.34	1543	51	+29 W 19	45 3	280	1885 69 1	12.34	1543	165	+27 E 2	10 2	20
1846 69 1	7.34	1543	51	+77 W 1	10 1	10	1886 69 1	12.34	1543	165	-40 E 5	50 1	55
1847 69 1	8.34	1543	218	+67 E 7	80 1	80	1887 69 1	12.34	1543	165	-58 E 9	10 1	25
1848 69 1	8.34	1543	218	+36 E 16	15 2	50	1888 69 1	12.34	1543	165	-81 E 1	20 1	15
1849 69 1	8.34	1543	218	+18 E 8	30 3	100	1889 69 1	12.34	1543	345	-62 W 1	20 1	10
1850 69 1	8.34	1543	218	-30 E 33	60 1	125	1890 69 1	12.34	1543	345	-44 W 4	40 2	100
1851 69 1	8.34	1543	218	-67 E 1	20 2	10	1891 69 1	12.34	1543	345	-19 W 7	20 1	40
1852 69 1	8.34	1543	38	-43 W 7	35 2	80	1892 69 1	12.34	1543	345	+6 W 6	35 3	30
1853 69 1	8.34	1543	38	-11 W 5	60 1	50	1893 69 1	12.34	1543	345	+26 W 22	55 3	240
1854 69 1	8.34	1543	38	+21 W 33	80 3	480	1894 69 1	12.34	1543	345	+53 W 8	30 2	50
1855 69 1	8.34	1543	38	+75 W 1	20 1	15	1895 69 1	12.34	1543	345	+71 W 5	30 1	40
1856 69 1	9.35	1543	205	+35 E 10	15 2	80	1896 69 1	21.37	1544	46	+68 E 3	30 2	48
1857 69 1	9.35	1543	205	+21 E 4	20 3	55	1897 69 1	21.37	1544	46	+14 E 16	123 3	570
1858 69 1	9.35	1543	205	-2 E 11	80 2	260	1898 69 1	21.37	1544	46	-7 E 5	52 3	145
1859 69 1	9.35	1543	205	-23 E 6	20 3	85	1899 69 1	21.37	1544	46	-59 E 6	60 2	155
1860 69 1	9.35	1543	205	-47 E 7	20 3	70	1900 69 1	21.37	1544	226	-61 W 7	30 2	130
1861 69 1	9.35	1543	205	-66 E 1	10 3	10	1901 69 1	21.37	1544	226	-41 W 4	38 2	80
1862 69 1	9.35	1543	25	-62 W 1	10 3	10	1902 69 1	21.37	1544	226	-8 W 11	40 2	195
1863 69 1	9.35	1543	25	-44 W 17	45 2	250	1903 69 1	21.37	1544	226	+16 W 1	18 1	18
1864 69 1	9.35	1543	25	+8 W 18	30 3	220	1904 69 1	21.37	1544	226	+28 W 7	18 1	55
1865 69 1	9.35	1543	25	+30 W 12	80 3	240	1905 69 1	27.42	1544	326	+82 E 2	15 1	25
1866 69 1	9.35	1543	25	+78 W 7	45 2	90	1906 69 1	27.42	1544	326	+33 E 16	40 2	220
1867 69 1	10.35	1543	191	+42 E 1	20 2	10	1907 69 1	27.42	1544	326	+2 E 23	69 3	460
1868 69 1	10.35	1543	191	+23 E 1	30 2	15	1908 69 1	27.42	1544	326	-72 E 9	42 2	200
1869 69 1	10.35	1543	191	-25 E 28	95 1	80	1909 69 1	27.42	1544	146	-60 W 4	49 2	95
1870 69 1	10.35	1543	191	-49 E 5	10 2	50	1910 69 1	27.42	1544	146	-48 W 1	12 1	12

TABLE 1 CONTINUED

1911 69	1	27.42	1544	146	-40 W	1	11	2	11	1951 69	2	11.33	1544	309	+61 W	3	32	2	40
1912 69	1	27.42	1544	146	-12 W	10	30	3	110	1952 69	2	11.33	1544	309	+78 W	4	16	2	25
1913 69	1	27.42	1544	146	+24 W	13	50	1	120	1953 69	2	12.36	1544	116	+62 E	3	10	1	30
1914 69	1	27.42	1544	146	+57 W	3	40	2	65	1954 69	2	12.36	1544	116	+16 E	2	60	1	25
1915 69	1	27.42	1544	146	+72 W	2	29	1	30	1955 69	2	12.36	1544	116	-8 E	4	15	2	30
1916 69	1	1.38	1544	261	+31 E	4	24	3	55	1956 69	2	12.36	1544	116	-28 E	19	41	2	200
1917 69	2	1.38	1544	261	-4 E	1	20	1	15	1957 69	2	12.36	1544	116	-50 E	4	15	2	35
1918 69	2	1.38	1544	261	-17 E	8	18	2	100	1958 69	2	12.36	1544	116	-65 E	9	103	2	265
1919 69	2	1.38	1544	261	-73 E	6	48	2	130	1959 69	2	12.36	1544	296	-57 W	6	63	2	165
1920 69	2	1.38	1544	81	-40 W	1	20	2	18	1960 69	2	12.36	1544	296	-19 W	2	3R	1	25
1921 69	2	1.38	1544	81	+3 W	6	100	1	45	1961 69	2	12.36	1544	296	+19 W	4	15	2	40
1922 69	2	1.38	1544	81	+81 W	9	29	2	75	1962 69	2	12.36	1544	296	+44 W	6	20	2	90
1923 69	2	2.39	1544	247	+49 E	3	10	2	10	1963 69	2	12.36	1544	296	+71 W	4	25	1	45
1924 69	2	2.39	1544	247	-3 E	17	60	3	450	1964 69	2	16.40	1545	62	+70 E	6	33	2	65
1925 69	2	2.39	1544	247	-18 E	2	22	1	20	1965 69	2	16.40	1545	62	+10 E	16	41	1	70
1926 69	2	2.39	1544	247	-26 E	2	10	1	18	1966 69	2	16.40	1545	62	-40 E	19	22	2	185
1927 69	2	2.39	1544	247	-71 E	5	40	3	95	1967 69	2	16.40	1545	62	-58 E	15	50	3	425
1928 69	2	2.39	1544	67	-42 W	4	22	2	35	1968 69	2	16.40	1545	242	-66 W	14	45	2	105
1929 69	2	2.39	1544	67	-27 W	5	20	2	55	1969 69	2	16.40	1545	242	-36 W	23	98	3	470
1930 69	2	2.39	1544	67	+22 W	4	15	3	45	1970 69	2	16.40	1545	242	-9 W	5	40	1	105
1931 69	2	2.39	1544	67	+81 W	7	15	1	45	1971 69	2	16.40	1545	242	+8 W	15	40	2	370
1932 69	2	7.36	1544	182	+63 E	3	80	1	50	1972 69	2	16.40	1545	242	+28 W	4	44	2	65
1933 69	2	7.36	1544	182	-16 E	2	18	2	20	1973 69	2	16.40	1545	242	+58 W	4	35	2	65
1934 69	2	7.36	1544	182	-48 E	3	30	2	40	1974 69	2	16.40	1545	242	+88 W	2	30	1	30
1935 69	2	7.36	1544	2	-31 W	4	31	2	45	1975 69	2	17.32	1545	50	+82 E	1	32	1	15
1936 69	2	7.36	1544	2	-22 W	2	30	1	20	1976 69	2	17.32	1545	50	+72 E	3	15	2	20
1937 69	2	7.36	1544	2	-27 W	10	52	2	200	1977 69	2	17.32	1545	50	+25 E	2	10	3	12
1938 69	2	7.36	1544	2	+42 W	11	110	2	250	1978 69	2	17.32	1545	50	+11 E	14	50	1	55
1939 69	2	7.36	1544	2	+75 W	4	25	2	60	1979 69	2	17.32	1545	50	-3 E	1	19	2	20
1940 69	2	8.52	1544	166	-28 E	5	20	2	55	1980 69	2	17.32	1545	50	-26 E	3	50	2	40
1941 69	2	8.52	1544	166	-50 E	4	28	1	40	1981 69	2	17.32	1545	50	-44 E	14	28	2	245
1942 69	2	8.52	1544	166	-70 E	1	30	1	15	1982 69	2	17.32	1545	50	-65 E	2	35	2	45
1943 69	2	8.52	1544	346	-58 W	2	20	1	30	1983 69	2	17.32	1545	230	-66 W	6	25	2	75
1944 69	2	8.52	1544	346	+43 W	5	70	2	145	1984 69	2	17.32	1545	230	-40 W	23	250	1	330
1945 69	2	8.52	1544	346	+71 W	3	45	2	70	1985 69	2	17.32	1545	230	-7 W	13	120	3	540
1946 69	2	11.33	1544	129	+13 E	7	18	2	60	1986 69	2	17.32	1545	230	+27 W	5	70	3	180
1947 69	2	11.33	1544	129	-29 E	7	32	3	110	1987 69	2	17.32	1545	230	+63 W	2	20	2	25
1948 69	2	11.33	1544	129	-67 E	6	68	2	220	1988 69	2	17.32	1545	230	+86 W	4	42	1	115
1949 69	2	11.33	1544	309	-57 W	4	40	2	65	1989 69	2	28.35	1545	265	+89 E	1	35	2	35
1950 69	2	11.33	1544	309	+52 W	1	12	2	15	1990 69	2	28.35	1545	265	+70 E	2	20	2	20

TABLE 1 CONTINUED

TABLE 1 CONTINUED

1991 69	2	28.35	1545	265	+45 E	2	22	1	20	2031 69	4	22.21	1547	287	+48 E	4	55	2	120
1992 69	2	28.35	1545	265	-10 E	16	45	2	180	2032 69	4	22.21	1547	287	+21 E	7	60	3	45
1993 69	2	28.35	1545	265	-48 E	28	45	3	365	2033 69	4	22.21	1547	287	+	4	10	1	40
1994 69	2	28.35	1545	85	-58 W	4	30	3	95	2034 69	4	22.21	1547	287	-14 E	2	60	1	40
1995 69	2	28.35	1545	85	-20 W	9	60	2	60	2035 69	4	22.21	1547	287	-67 E	1	20	2	15
1996 69	2	28.35	1545	85	-1 W	19	85	2	170	2036 69	4	22.21	1547	107	-64 W	9	45	2	200
1997 69	2	28.35	1545	85	+20 W	3	45	2	65	2037 69	4	22.21	1547	107	-28 W	12	100	2	220
1998 69	2	28.35	1545	85	+86 W	11	60	3	185	2038 69	4	22.21	1547	107	-13 W	2	50	1	50
1999 69	3	6.36	1545	185	+79 E	3	35	1	60	2039 69	4	22.21	1547	107	+12 W	4	90	1	220
2000 69	3	6.36	1545	185	+68 E	4	40	1	75	2040 69	4	22.21	1547	107	+53 W	5	30	2	65
2001 69	3	6.36	1545	185	+52 E	2	50	1	85	2041 69	4	22.21	1547	107	+82 W	8	45	1	105
2002 69	3	6.36	1545	185	-14 E	2	50	1	43	2042 69	4	25.21	1547	247	+80 E	11	50	1	45
2003 69	3	6.36	1545	185	-30 E	12	72	2	255	2043 69	4	25.21	1547	247	+66 E	3	50	2	65
2004 69	3	6.36	1545	185	-49 E	8	45	2	118	2044 69	4	25.21	1547	247	+44 E	12	40	2	210
2005 69	3	6.36	1545	185	-75 E	6	75	3	305	2045 69	4	25.21	1547	247	+33 E	3	50	2	80
2006 69	3	6.36	1545	5	-30 W	3	40	2	52	2046 69	4	25.21	1547	247	+18 E	7	80	1	50
2007 69	3	6.36	1545	5	-16 W	2	30	1	44	2047 69	4	25.21	1547	247	-5 E	21	60	3	380
2008 69	3	6.36	1545	5	-5 W	7	25	2	135	2048 69	4	25.21	1547	67	+59 W	1	10	1	10
2009 69	3	6.36	1545	5	+45 W	38	120	2	860	2049 69	4	25.21	1547	67	+80 W	1	50	1	40
2010 69	3	6.36	1545	5	+84 W	2	50	1	62	2050 69	4	25.21	1547	67	+87 W	3	55	2	70
2011 69	3	7.36	1545	172	+83 E	4	45	2	60	2051 69	4	27.32	1547	219	+22 E	5	55	3	125
2012 69	3	7.36	1545	172	+69 E	3	55	1	45	2052 69	4	27.32	1547	219	-49 E	4	20	2	40
2013 69	3	7.36	1545	172	-31 E	8	45	2	65	2053 69	4	27.32	1547	219	-63 E	6	45	3	105
2014 69	3	7.36	1545	172	-44 E	7	80	3	290	2054 69	4	27.32	1547	39	-43 W	2	20	1	40
2015 69	3	7.36	1545	172	-73 E	5	70	3	160	2055 69	4	27.32	1547	39	-27 W	1	20	2	15
2016 69	3	7.36	1545	352	-30 W	4	25	1	58	2056 69	4	27.32	1547	39	+8 W	21	40	1	190
2017 69	3	7.36	1545	352	-17 W	4	45	2	75	2057 69	4	27.32	1547	39	+28 W	2	40	1	35
2018 69	3	7.36	1545	352	+27 W	24	48	3	490	2058 69	4	30.34	1547	180	+72 E	1	15	2	15
2019 69	3	7.36	1545	352	+47 W	12	95	2	250	2059 69	4	30.34	1547	180	+31 E	1	10	2	10
2020 69	3	7.36	1545	352	+79 W	5	30	1	60	2060 69	4	30.34	1547	180	+22 E	2	20	2	25
2021 69	3	7.36	1545	352	+89 W	2	45	1	30	2061 69	4	30.34	1547	180	-3 E	12	40	2	215
2022 69	3	21.29	1546	348	+42 E	11	30	2	135	2062 69	4	30.34	1547	180	-44 E	16	70	3	530
2023 69	3	21.29	1546	348	+17 E	9	80	3	380	2063 69	4	30.34	1547	180	-65 E	1	30	2	25
2024 69	3	21.29	1546	348	-65 E	1	28	1	25	2064 69	4	30.34	1547	0	-66 W	1	10	2	10
2025 69	3	21.29	1546	168	-63 W	3	28	1	45	2065 69	4	30.34	1547	0	-50 W	4	20	2	25
2026 69	3	21.29	1546	168	-31 W	17	60	3	550	2066 69	4	30.34	1547	0	-33 W	10	40	2	90
2027 69	3	21.29	1546	168	+13 W	9	70	2	120	2067 69	4	30.34	1547	0	-4 W	13	40	1	65
2028 69	3	21.29	1546	168	+82 W	4	30	1	35	2068 69	5	3.36	1547	140	+67 E	1	90	2	50
2029 69	4	22.21	1547	287	+81 E	14	65	2	150	2069 69	5	3.36	1547	140	+25 E	1	10	2	10
2030 69	4	22.21	1547	287	+68 E	4	40	3	60	2070 69	5	3.36	1547	140	+14 E	4	10	2	40

TABLE 1 CONTINUED

2071 69	5	3.36	1547	140	+ 5 E	1	20	2	15	2111 69	5	25.27	1548	31	+38 W	3	40	3	40
2072 69	5	3.36	1547	140	-66 E	1	15	1	15	2112 69	5	25.27	1548	31	+45 W	3	40	3	40
2073 69	5	3.36	1547	140	-75 E	2	10	1	20	2113 69	5	25.27	1548	31	+59 W	1	10	1	10
2074 69	5	3.36	1547	320	-39 W	2	15	2	15	2114 69	5	28.23	1546	171	+33 E	3	10	2	25
2075 69	5	3.36	1547	320	-25 W	2	20	1	20	2115 69	5	28.23	1548	171	+14 E	15	50	3	170
2076 69	5	3.36	1547	320	+22 W	12	40	2	110	2116 69	5	28.23	1548	171	-11 E	6	15	3	55
2077 69	5	3.36	1547	320	+35 W	4	30	3	90	2117 69	5	28.23	1548	171	-31 E	10	40	3	80
2078 69	5	3.36	1547	320	+43 W	7	20	3	90	2118 69	5	28.23	1548	171	-52 E	9	30	3	75
2079 69	5	15.46	1548	340	+81 E	1	10	1	10	2119 69	5	28.23	1548	171	-68 E	3	30	2	60
2080 69	5	15.46	1548	340	+75 E	1	30	1	20	2120 69	5	28.23	1548	351	-65 W	2	15	3	35
2081 69	5	15.46	1548	340	+62 E	1	50	1	30	2121 69	5	28.23	1548	351	-46 W	1	20	3	20
2082 69	5	15.46	1548	340	+ 6 E	4	10	2	30	2122 69	5	28.23	1548	351	-25 W	2	20	1	10
2083 69	5	15.46	1548	340	-36 E	3	80	3	100	2123 69	5	28.23	1548	351	- 8 W	6	50	2	35
2084 69	5	15.46	1548	340	-50 E	2	10	2	20	2124 69	5	28.23	1548	351	+12 W	2	10	2	15
2085 69	5	15.46	1548	340	-74 E	1	10	1	15	2125 69	5	30.26	1548	145	+36 E	3	30	2	40
2086 69	5	15.46	1548	340	-81 E	4	20	1	50	2126 69	5	30.26	1548	145	+ 5 E	10	30	2	155
2087 69	5	15.46	1548	340	-89 E	2	40	1	45	2127 69	5	30.26	1548	145	- 4 E	2	10	2	20
2088 69	5	15.46	1548	160	-42 W	10	80	2	310	2128 69	5	30.26	1548	145	- 8 E	1	10	2	10
2089 69	5	15.46	1548	160	+82 W	1	10	1	10	2129 69	5	30.26	1548	145	-21 E	1	10	1	10
2090 69	5	24.19	1548	225	+87 E	5	30	2	70	2130 69	5	30.26	1548	145	-32 E	13	80	1	70
2091 69	5	24.19	1548	225	+51 E	14	110	2	190	2131 69	5	30.26	1548	145	-47 E	5	30	1	40
2092 69	5	24.19	1548	225	+34 E	2	20	2	40	2132 69	5	30.26	1548	145	-70 E	6	30	1	45
2093 69	5	24.19	1548	225	-13 E	6	10	2	40	2133 69	5	30.26	1548	325	-63 W	4	30	2	60
2094 69	5	24.19	1548	225	-28 E	5	10	2	30	2134 69	5	30.26	1548	325	-47 W	1	35	1	20
2095 69	5	24.19	1548	225	-67 E	7	40	3	110	2135 69	5	30.26	1548	325	- 1 W	21	60	1	125
2096 69	5	24.19	1548	45	-41 W	2	10	2	20	2136 69	5	30.26	1544	325	+35 W	44	80	2	580
2097 69	5	24.19	1548	45	-29 W	8	30	2	70	2137 69	6	1.20	1548	119	+71 E	2	30	2	35
2098 69	5	24.19	1548	45	+25 W	10	40	3	110	2138 69	6	1.20	1548	119	+36 E	12	50	1	60
2099 69	5	24.19	1548	45	+48 W	6	10	2	35	2139 69	6	1.20	1548	119	+ 9 E	2	30	1	15
2100 69	5	24.19	1548	45	+76 W	9	40	1	50	2140 69	6	1.20	1548	119	+59 E	8	40	1	90
2101 69	5	25.27	1548	211	+84 E	7	70	1	90	2141 69	6	1.20	1548	119	-64 E	3	15	2	40
2102 69	5	25.27	1548	211	+72 E	1	40	1	20	2142 69	6	1.20	1548	299	-67 W	4	20	2	35
2103 69	5	25.27	1548	211	+21 E	2	40	1	25	2143 69	6	1.20	1548	299	-51 W	1	20	2	15
2104 69	5	25.27	1548	211	-30 E	1	20	3	15	2144 69	6	1.20	1548	299	-39 W	1	30	2	25
2105 69	5	25.27	1548	211	-46 E	5	20	3	50	2145 69	6	1.20	1548	299	+ 3 W	28	60	3	780
2106 69	5	25.27	1548	211	-70 E	8	40	3	90	2146 69	6	1.20	1548	299	+47 W	16	60	3	435
2107 69	5	25.27	1548	31	-62 W	5	10	3	40	2147 69	6	1.20	1548	299	+78 W	1	15	1	10
2108 69	5	25.27	1548	31	-38 W	2	15	2	15	2148 69	6	1.20	1548	299	+85 W	2	10	1	15
2109 69	5	25.27	1548	31	-30 W	1	10	2	10	2149 69	6	19.21	1549	241	+69 E	1	10	1	10
2110 69	5	25.27	1548	31	+ 5 W	3	30	2	50	2150 69	6	19.21	1549	241	+48 E	4	110	2	150

TABLE 1 CONTINUED

2151 69 6	19.21	1549	241	+22 E	2	20	3	30	2191 69 7	2.19	1550	250	+48 W	4	20	1	40
2152 69 6	19.21	1549	241	+5 E	1	40	1	30	2192 69 7	2.19	1550	250	+85 W	1	10	1	10
2153 69 6	19.21	1549	241	-6 E	3	30	1	50	2193 69 7	7.25	1550	3	+75 E	4	42	1	35
2154 69 6	19.21	1549	241	-24 E	1	40	1	60	2194 69 7	7.25	1550	3	+50 E	22	90	1	250
2155 69 6	19.21	1549	241	-73 E	3	15	2	50	2195 69 7	7.25	1550	3	+14 E	5	132	2	100
2156 69 6	19.21	1549	61	-57 W	5	20	2	35	2196 69 7	7.25	1550	3	-10 E	17	50	1	155
2157 69 6	19.21	1549	61	-29 W	13	105	2	240	2197 69 7	7.25	1550	3	-40 E	1	11	2	10
2158 69 6	19.21	1549	61	-10 W	8	10	2	40	2198 69 7	7.25	1550	3	-48 E	4	50	2	50
2159 69 6	19.21	1549	61	+39 W	2	20	2	30	2199 69 7	7.25	1550	3	-60 E	6	60	1	45
2160 69 6	19.21	1549	61	+70 W	1	10	1	10	2200 69 7	7.25	1550	183	-63 W	3	30	1	30
2161 69 6	19.21	1549	61	+84 W	1	30	1	20	2201 69 7	7.25	1550	183	-35 W	9	50	2	125
2162 69 6	28.23	1549	122	+88 E	1	30	1	40	2202 69 7	7.25	1550	183	+29 W	17	65	2	250
2163 69 6	28.23	1549	122	+39 E	4	15	2	50	2203 69 7	7.25	1550	183	+47 W	2	30	3	30
2164 69 6	28.23	1549	122	+32 E	1	30	2	25	2204 69 7	7.25	1550	183	+60 W	3	20	2	45
2165 69 6	28.23	1549	122	+8 E	18	110	2	130	2205 69 7	15.42	1550	255	+65 E	2	20	2	45
2166 69 6	28.23	1549	122	-17 E	12	70	2	320	2206 69 7	15.42	1550	255	+42 E	6	50	3	105
2167 69 6	28.23	1549	122	-35 E	8	30	2	110	2207 69 7	15.42	1550	255	+17 E	5	40	3	115
2168 69 6	28.23	1549	302	-37 W	4	10	1	40	2208 69 7	15.42	1550	255	-19 E	7	70	1	55
2169 69 6	28.23	1549	302	-13 W	1	15	1	20	2209 69 7	15.42	1550	255	-49 E	1	60	1	22
2170 69 6	28.23	1549	302	+37 W	7	110	2	160	2210 69 7	15.42	1550	255	-63 E	5	60	1	45
2171 69 6	28.23	1549	302	+74 W	7	40	1	65	2211 69 7	15.42	1550	255	-68 E	5	42	2	95
2172 69 6	28.23	1549	302	+83 W	1	40	1	25	2212 69 7	15.42	1550	75	-62 W	7	50	3	165
2173 69 6	30.24	1549	96	+69 E	2	10	2	20	2213 69 7	15.42	1550	75	-19 W	2	68	1	28
2174 69 6	30.24	1549	96	+33 E	6	20	3	95	2214 69 7	15.42	1550	75	-4 W	10	40	2	170
2175 69 6	30.24	1549	96	+22 E	3	10	2	30	2215 69 7	15.42	1550	75	+11 W	11	84	1	105
2176 69 6	30.24	1549	96	+14 E	1	20	1	20	2216 69 7	15.42	1550	75	+33 W	4	36	3	65
2177 69 6	30.24	1549	96	-12 E	14	105	1	145	2217 69 7	15.42	1550	75	+45 W	2	28	2	45
2178 69 6	30.24	1549	96	-33 E	16	45	2	150	2218 69 7	15.42	1550	75	+81 W	5	20	1	35
2179 69 6	30.24	1549	276	-38 W	1	10	2	10	2219 69 7	16.22	1550	245	+71 E	6	15	2	25
2180 69 6	30.24	1549	276	+3 W	8	20	2	85	2220 69 7	16.22	1550	245	+46 E	5	26	3	35
2181 69 6	30.24	1549	276	+22 W	5	20	3	70	2221 69 7	16.22	1550	245	+24 E	8	30	3	90
2182 69 6	30.24	1549	276	+50 W	3	20	3	40	2222 69 7	16.22	1550	245	-22 E	3	28	1	35
2183 69 7	2.19	1550	70	+63 E	4	20	1	58	2223 69 7	16.22	1550	245	-53 E	1	10	2	10
2184 69 7	2.19	1550	70	+20 E	12	30	3	225	2224 69 7	16.22	1550	245	-70 E	4	30	2	40
2185 69 7	2.19	1550	71	-14 E	7	25	2	115	2225 69 7	16.22	1550	65	-62 W	9	63	2	75
2186 69 7	2.19	1550	70	-33 E	3	22	1	26	2226 69 7	16.22	1550	65	+1 W	4	24	1	70
2187 69 7	2.19	1550	70	-63 E	4	30	2	85	2227 69 7	16.22	1550	65	+28 W	11	15	3	85
2188 69 7	2.19	1550	250	-64 W	3	32	1	85	2228 69 7	17.19	1550	232	+39 E	4	20	2	20
2189 69 7	2.19	1550	250	-23 W	6	46	1	90	2229 69 7	17.19	1550	232	+28 E	6	45	3	130
2190 69 7	2.19	1550	250	+24 W	5	30	3	110	2230 69 7	17.19	1550	232	-8 E	16	30	2	180

TABLE 1 CONTINUED

TABLE 1 CONTINUED

2231 69	7	17.19	1550	232	-21 E	5	45	3	100	2271 69	7	24.19	1550	320	+27 W	6	60	1	35
2232 69	7	17.19	1550	232	-70 E	8	18	2	45	2272 69	7	25.17	1550	127	+80 E	11	45	2	115
2233 69	7	17.19	1550	52	-37 W	11	35	3	225	2273 69	7	25.17	1550	127	+39 E	3	30	3	40
2234 69	7	17.19	1550	52	-24 W	5	10	2	20	2274 69	7	25.17	1550	127	+20 E	3	60	1	45
2235 69	7	17.19	1550	52	+15 W	1	12	2	10	2275 69	7	25.17	1550	127	+13 E	2	20	2	25
2236 69	7	17.19	1550	52	+30 W	13	20	2	75	2276 69	7	25.17	1550	127	+6 E	6	80	2	55
2237 69	7	19.46	1550	202	+67 E	3	28	2	55	2277 69	7	25.17	1550	127	-33 E	4	25	3	60
2238 69	7	19.46	1550	202	+57 E	6	60	2	85	2278 69	7	25.17	1550	127	-44 E	6	30	3	85
2239 69	7	19.46	1550	202	+33 E	5	40	3	80	2279 69	7	25.17	1550	127	-63 E	2	20	2	20
2240 69	7	19.46	1550	202	-2 E	3	30	2	45	2280 69	7	25.17	1550	307	-70 W	11	28	2	70
2241 69	7	19.46	1550	202	-30 E	3	30	2	55	2281 69	7	25.17	1550	307	-41 W	2	20	2	25
2242 69	7	19.46	1550	202	-70 E	2	20	2	28	2282 69	7	25.17	1550	307	-29 W	3	14	2	25
2243 69	7	19.46	1550	22	-41 W	10	44	2	140	2283 69	7	25.17	1550	307	-16 W	2	11	2	18
2244 69	7	19.46	1550	22	+1 W	1	15	1	15	2284 69	7	25.17	1550	307	+22 W	1	10	3	10
2245 69	7	19.46	1550	22	+42 W	7	50	3	21	2285 69	7	26.19	1550	113	+78 E	11	40	1	95
2246 69	7	19.46	1550	22	+88 W	7	30	2	125	2286 69	7	26.19	1550	113	+17 E	4	70	1	70
2247 69	7	20.20	1550	192	+64 E	3	35	2	45	2287 69	7	26.19	1550	113	+6 E	11	60	1	55
2248 69	7	20.20	1550	192	+53 E	2	40	2	35	2288 69	7	26.19	1550	113	-4 E	4	58	1	30
2249 69	7	20.20	1550	192	+37 E	1	35	1	20	2289 69	7	26.19	1550	113	-38 E	4	17	2	25
2250 69	7	20.20	1550	192	+22 E	2	40	2	30	2290 69	7	26.19	1550	113	-45 E	2	10	2	10
2251 69	7	20.20	1550	192	-2 E	2	20	2	28	2291 69	7	26.19	1550	113	-67 E	1	13	1	10
2252 69	7	20.20	1550	192	-37 E	1	12	1	10	2292 69	7	26.19	1550	293	-70 W	13	33	2	125
2253 69	7	20.20	1550	192	-70 E	3	12	2	30	2293 69	7	26.19	1550	293	+17 W	4	28	3	55
2254 69	7	20.20	1550	12	-62 W	2	15	1	20	2294 69	7	26.19	1550	293	+41 W	7	10	2	32
2255 69	7	20.20	1550	12	-43 W	6	35	3	70	2295 69	7	27.19	1550	100	+89 E	32	440	2	930
2256 69	7	20.20	1550	12	-27 W	4	15	2	25	2296 69	7	27.19	1550	100	+68 E	3	45	1	30
2257 69	7	20.20	1550	12	+2 W	7	15	2	30	2297 69	7	27.19	1550	100	+28 E	7	48	2	145
2258 69	7	20.20	1550	12	+20 W	9	60	1	55	2298 69	7	27.19	1550	100	+8 E	13	42	1	55
2259 69	7	20.20	1550	12	+43 W	4	50	3	65	2299 69	7	27.19	1550	100	-4 E	8	10	1	30
2260 69	7	24.19	1550	140	+78 E	11	30	2	75	2300 69	7	27.19	1550	100	-52 E	2	17	1	15
2261 69	7	24.19	1550	140	+38 E	7	48	3	105	2301 69	7	27.19	1550	100	-70 E	1	40	1	28
2262 69	7	24.19	1550	140	+21 E	4	22	1	20	2302 69	7	27.19	1550	240	-68 W	13	70	3	440
2263 69	7	24.19	1550	140	+4 E	9	70	2	125	2303 69	7	27.19	1550	240	-12 W	1	25	1	15
2264 69	7	24.19	1550	140	-19 E	1	25	1	15	2304 69	7	27.19	1550	240	+18 W	9	42	2	145
2265 69	7	24.19	1550	140	-33 E	4	22	3	50	2305 69	7	27.19	1550	240	+46 W	14	45	3	190
2266 69	7	24.19	1550	140	-45 E	6	30	3	125	2306 69	7	27.19	1550	240	+83 W	2	26	2	25
2267 69	7	24.19	1550	140	-68 E	4	15	1	25	2307 69	7	28.34	1551	85	+70 E	2	48	2	30
2268 69	7	24.19	1550	320	-69 W	14	30	2	55	2308 69	7	28.34	1551	85	+39 E	2	12	1	10
2269 69	7	24.19	1550	320	-40 W	11	40	2	180	2309 69	7	28.34	1551	85	+27 E	6	53	2	100
2270 69	7	24.19	1550	320	-27 W	7	25	2	45	2310 69	7	28.34	1551	85	-56 E	1	15	2	10

TABLE 1 CONTINUED

TABLE 1 CONTINUED

2311 69	7	28.34	1551	85	-65 E	3	150	1	140	2351 69	8	5.22	1551	341	-47 E	3	45	3	75
2312 69	7	28.34	1551	265	-68 W	7	90	3	245	2352 69	8	5.22	1551	341	-67 E	9	40	2	190
2313 69	7	28.34	1551	265	+4 W	3	17	2	22	2353 69	8	5.22	1551	161	-39 W	7	40	3	110
2314 69	7	28.34	1551	265	+48 W	4	50	2	95	2354 69	8	5.22	1551	161	+8 W	2	11	2	22
2315 69	7	29.23	1551	73	+43 E	1	10	2	8	2355 69	8	5.22	1551	161	+32 W	11	32	3	80
2316 69	7	29.23	1551	73	+27 E	8	50	3	80	2356 69	8	5.22	1551	161	+62 W	1	30	2	15
2317 69	7	29.23	1551	73	-6 E	1	10	1	10	2357 69	8	5.22	1551	161	+84 W	1	30	1	15
2318 69	7	29.23	1551	73	-22 E	1	18	2	15	2358 69	8	6.21	1551	328	+81 E	18	42	2	140
2319 69	7	29.23	1551	253	-67 W	4	110	2	170	2359 69	8	6.21	1551	328	+33 E	10	28	3	110
2320 69	7	29.23	1551	253	-11 W	1	10	1	7	2360 69	8	6.21	1551	328	+13 E	12	75	1	105
2321 69	7	29.23	1551	253	+2 W	9	44	2	85	2361 69	8	6.21	1551	328	-44 E	8	40	2	155
2322 69	7	29.23	1551	253	+17 W	6	70	1	11	2362 69	8	6.21	1551	328	-63 E	9	30	2	205
2323 69	7	29.23	1551	253	+82 W	1	12	2	11	2363 69	8	6.21	1551	148	-40 W	4	20	2	35
2324 69	8	2.20	1551	21	+84 E	8	30	1	55	2364 69	8	6.21	1551	148	-20 W	1	20	2	20
2325 69	8	2.20	1551	21	+27 E	8	50	3	120	2365 69	8	6.21	1551	148	+38 W	10	42	3	110
2326 69	8	2.20	1551	21	+9 E	3	10	2	20	2366 69	8	6.21	1551	148	+50 W	2	10	1	16
2327 69	8	2.20	1551	21	-22 E	5	12	2	50	2367 69	8	6.21	1551	148	+79 W	2	30	1	25
2328 69	8	2.20	1551	21	-43 E	2	10	2	15	2368 69	8	7.23	1551	314	+80 E	24	60	2	185
2329 69	8	2.20	1551	21	-69 E	2	15	2	30	2369 69	8	7.23	1551	314	+28 E	5	28	3	55
2330 69	8	2.20	1551	201	-66 W	4	40	2	95	2370 69	8	7.23	1551	314	+16 E	1	18	3	15
2331 69	8	2.20	1551	201	-25 W	8	30	2	45	2371 69	8	7.23	1551	314	-7 E	1	15	1	15
2332 69	8	2.20	1551	201	+14 W	18	42	3	280	2372 69	8	7.23	1551	314	-46 E	15	35	3	95
2333 69	8	2.20	1551	201	+30 W	16	32	2	115	2373 69	8	7.23	1551	314	-65 E	12	30	2	140
2334 69	8	2.20	1551	201	+55 W	4	42	3	70	2374 69	8	7.23	1551	134	+3 W	15	60	1	105
2335 69	8	4.31	1551	353	+72 E	8	40	2	85	2375 69	8	7.23	1551	134	+42 W	8	40	2	190
2336 69	8	4.31	1551	353	+44 E	3	20	1	25	2376 69	8	14.40	1551	220	+46 E	7	30	2	45
2337 69	8	4.31	1551	353	+22 E	6	70	2	120	2377 69	8	14.40	1551	220	-29 E	8	44	2	115
2338 69	8	4.31	1551	353	+11 E	14	22	2	95	2378 69	8	14.40	1551	220	-68 E	4	38	2	55
2339 69	8	4.31	1551	353	-17 E	4	40	3	110	2379 69	8	14.40	1551	40	-62 W	2	30	1	25
2340 69	8	4.31	1551	353	-38 E	21	40	2	380	2380 69	8	14.40	1551	40	+23 W	3	18	2	30
2341 69	8	4.31	1551	353	-66 E	5	30	2	130	2381 69	8	14.40	1551	40	+49 W	3	22	3	40
2342 69	8	4.31	1551	173	-38 W	7	40	2	210	2382 69	8	20.28	1551	142	+78 E	4	25	2	48
2343 69	8	4.31	1551	173	+24 W	17	48	2	195	2383 69	8	20.28	1551	142	+56 E	3	20	3	35
2344 69	8	4.31	1551	173	+46 W	2	10	2	20	2384 69	8	20.28	1551	142	+41 E	2	60	1	82
2345 69	8	4.31	1551	173	+57 W	2	10	2	18	2385 69	8	20.28	1551	142	-6 E	10	25	2	70
2346 69	8	5.22	1551	341	+88 E	20	35	1	155	2386 69	8	20.28	1551	142	-84 E	8	15	2	70
2347 69	8	5.22	1551	341	+45 E	4	10	2	25	2387 69	8	20.28	1551	322	-40 W	9	75	2	320
2348 69	8	5.22	1551	341	+26 E	11	70	2	90	2388 69	8	20.28	1551	322	-22 W	8	30	2	80
2349 69	8	5.22	1551	341	-10 E	22	68	2	210	2389 69	8	20.28	1551	322	+23 W	4	20	2	70
2350 69	8	5.22	1551	341	-36 E	7	18	2	40	2390 69	8	20.28	1551	322	+52 W	2	35	3	55

TABLE 1 CONTINUED

TABLE 1 CONTINUED

2391 69	8	20.28	1551	322	+85 W	13	65	2	120	2431 69	9	4.27	1552	304	-35 E	4	30	2	30
2392 69	8	30.33	1552	9	-73 E	6	20	2	70	2432 69	9	4.27	1552	304	-50 E	5	30	2	75
2393 69	8	30.33	1552	189	-65 W	6	105	2	130	2433 69	9	4.27	1552	304	-70 E	6	30	2	30
2394 69	8	30.33	1552	189	-32 W	25	40	2	160	2434 69	9	4.27	1552	304	-76 E	6	20	1	45
2395 69	8	30.33	1552	189	+10 W	3	15	2	30	2435 69	9	4.27	1552	124	-60 W	6	30	1	70
2396 69	8	30.33	1552	189	+20 W	5	35	2	70	2436 69	9	4.27	1552	124	-32 W	32	75	3	590
2397 69	8	30.33	1552	189	+36 W	5	30	2	80	2437 69	9	4.27	1552	124	+10 W	4	45	1	30
2398 69	8	30.33	1552	189	+56 W	6	20	2	50	2438 69	9	4.27	1552	124	+22 W	2	30	2	35
2399 69	8	30.33	1552	189	+88 W	2	60	1	40	2439 69	9	4.27	1552	124	+58 W	4	65	3	145
2400 69	9	1.24	1552	344	+16 E	14	42	2	175	2440 69	9	4.27	1552	124	+64 W	1	10	1	10
2401 69	9	1.24	1552	344	+ 2 E	5	20	3	85	2441 69	9	5.29	1552	291	+18 E	2	35	1	35
2402 69	9	1.24	1552	344	-14 E	6	40	2	85	2442 69	9	5.29	1552	291	+11 E	3	40	3	30
2403 69	9	1.24	1552	344	-31 E	3	25	2	35	2443 69	9	5.29	1552	291	-48 E	12	30	2	145
2404 69	9	1.24	1552	344	-44 E	7	35	2	90	2444 69	9	5.29	1552	291	-70 E	8	30	1	90
2405 69	9	1.24	1552	344	-68 E	6	40	2	125	2445 69	9	5.29	1552	291	-84 E	7	25	1	55
2406 69	9	1.24	1552	164	-72 W	2	35	2	30	2446 69	9	5.29	1552	111	-36 W	29	50	2	380
2407 69	9	1.24	1552	164	-62 W	1	30	1	18	2447 69	9	5.29	1552	111	+48 W	5	40	3	125
2408 69	9	1.24	1552	164	-40 W	3	30	3	130	2448 69	9	5.29	1552	111	+62 W	2	55	3	75
2409 69	9	1.24	1552	164	+29 W	13	40	2	130	2449 69	9	6.25	1552	278	+16 E	3	55	3	95
2410 69	9	1.24	1552	164	+51 W	12	40	2	125	2450 69	9	6.25	1552	278	-64 E	1	30	1	15
2411 69	9	1.24	1552	164	+78 W	2	20	1	50	2451 69	9	6.25	1552	278	-73 E	2	12	1	20
2412 69	9	2.27	1552	331	+54 E	1	15	1	15	2452 69	9	6.25	1552	278	-82 E	2	10	1	20
2413 69	9	2.27	1552	331	+ 8 E	2	15	2	20	2453 69	9	6.25	1552	98	-38 W	26	60	2	700
2414 69	9	2.27	1552	331	-36 E	2	25	1	20	2454 69	9	6.25	1552	98	+10 W	9	20	1	95
2415 69	9	2.27	1552	331	-49 E	10	50	2	210	2455 69	9	6.25	1552	98	+32 W	7	110	3	350
2416 69	9	2.27	1552	331	-74 E	8	32	1	120	2456 69	9	6.25	1552	98	+62 W	2	18	3	20
2417 69	9	2.27	1552	151	-62 W	2	30	2	20	2457 69	9	8.26	1552	252	+89 E	7	35	1	80
2418 69	9	2.27	1552	151	-37 W	14	68	3	170	2458 69	9	8.26	1552	252	+55 E	13	30	1	200
2419 69	9	2.27	1552	151	+37 W	5	40	2	65	2459 69	9	8.26	1552	252	+44 E	9	30	3	70
2420 69	9	2.27	1552	151	+56 W	7	45	1	205	2460 69	9	8.26	1552	252	+23 E	1	30	1	18
2421 69	9	3.25	1552	318	+30 E	6	25	2	65	2461 69	9	8.26	1552	252	+11 E	9	80	2	355
2422 69	9	3.25	1552	318	-25 E	1	18	2	15	2462 69	9	8.26	1552	252	-65 E	5	40	2	100
2423 69	9	3.25	1552	318	-33 E	4	32	2	75	2463 69	9	8.26	1552	72	-67 W	2	35	2	35
2424 69	9	3.25	1552	318	-50 E	6	25	3	65	2464 69	9	8.26	1552	72	-46 W	10	40	2	170
2425 69	9	3.25	1552	318	-76 E	13	30	1	150	2465 69	9	8.26	1552	72	-29 W	14	40	2	210
2426 69	9	3.25	1552	138	-35 W	29	68	2	670	2466 69	9	8.26	1552	72	- 9 W	16	80	2	240
2427 69	9	3.25	1552	138	+56 W	6	60	3	240	2467 69	9	8.26	1552	72	+10 W	10	80	1	90
2428 69	9	4.27	1552	304	+77 E	1	45	1	20	2468 69	9	8.26	1552	72	+28 W	6	205	2	230
2429 69	9	4.27	1552	304	+31 E	2	15	2	25	2469 69	9	8.26	1552	72	+57 W	15	50	2	150
2430 69	9	4.27	1552	304	-26 E	2	40	2	40	2470 69	9	9.26	1552	238	+84 E	14	35	2	130

TABLE 1 CONTINUED

2471 69	9	9.26	1552	238	+55 E	10	65	3	445	2511 69	9	19.34	1552	105	+50 E	5	45	3	115
2472 69	9	9.26	1552	238	+4 E	1	30	1	20	2512 69	9	19.34	1552	105	+18 E	3	28	2	20
2473 69	9	9.26	1552	238	-14 E	1	20	1	15	2513 69	9	19.34	1552	105	+2 E	15	15	2	65
2474 69	9	9.26	1552	238	-32 E	4	35	3	70	2514 69	9	19.34	1552	105	-16 E	10	60	2	165
2475 69	9	9.26	1552	238	-69 E	3	25	3	35	2515 69	9	19.34	1552	105	-70 E	3	40	2	50
2476 69	9	9.26	1552	58	-64 W	4	30	2	55	2516 69	9	19.34	1552	285	-21 W	1	20	1	15
2477 69	9	9.26	1552	58	-27 W	16	70	3	330	2517 69	9	19.34	1552	285	-12 W	1	20	1	15
2478 69	9	9.26	1552	58	-4 W	9	45	2	75	2518 69	9	19.34	1552	285	+23 W	3	18	2	25
2479 69	9	9.26	1552	58	+21 W	14	65	2	125	2519 69	9	19.34	1552	285	+39 W	1	20	2	15
2480 69	9	9.26	1552	58	+48 W	1	40	2	25	2520 69	9	19.34	1552	285	+58 W	6	28	2	30
2481 69	9	9.26	1552	58	+62 W	1	18	1	15	2521 69	9	20.27	1553	93	+47 E	9	50	2	170
2482 69	9	10.25	1552	225	+80 E	12	45	2	155	2522 69	9	20.27	1553	93	+18 E	4	55	1	45
2483 69	9	10.25	1552	225	+52 E	12	78	3	565	2523 69	9	20.27	1553	93	-3 E	4	28	3	60
2484 69	9	10.25	1552	225	-6 E	6	42	1	30	2524 69	9	20.27	1553	93	-20 E	11	180	2	210
2485 69	9	10.25	1552	225	-73 E	2	20	1	20	2525 69	9	20.27	1553	93	-30 E	5	30	3	60
2486 69	9	10.25	1552	45	-70 W	11	40	2	130	2526 69	9	20.27	1553	93	-42 E	2	22	2	25
2487 69	9	10.25	1552	45	-28 W	4	25	2	60	2527 69	9	20.27	1553	93	-72 E	4	30	2	55
2488 69	9	10.25	1552	45	+34 W	8	40	3	120	2528 69	9	20.27	1553	273	-63 W	3	25	1	20
2489 69	9	10.25	1552	45	+51 W	2	15	1	15	2529 69	9	20.27	1553	273	+13 W	2	30	1	25
2490 69	9	10.25	1552	45	+74 W	2	20	1	30	2530 69	9	20.27	1553	273	+24 W	6	30	3	85
2491 69	9	13.27	1552	185	+52 E	3	25	2	40	2531 69	9	20.27	1553	273	+42 W	3	20	2	25
2492 69	9	13.27	1552	185	+41 E	6	45	3	65	2532 69	9	23.30	1553	53	+28 E	5	42	1	50
2493 69	9	13.27	1552	185	+22 E	19	55	3	480	2533 69	9	23.30	1553	53	+11 E	1	15	2	10
2494 69	9	13.27	1552	185	-30 E	2	15	1	20	2534 69	9	23.30	1553	53	+32 E	4	45	3	90
2495 69	9	13.27	1552	5	-54 W	4	70	3	100	2535 69	9	23.30	1553	53	-45 E	1	10	2	10
2496 69	9	13.27	1552	5	-44 W	17	30	3	370	2536 69	9	23.30	1553	53	-55 E	1	20	2	15
2497 69	9	13.27	1552	5	+38 W	4	18	2	30	2537 69	9	23.30	1553	233	-60 W	6	70	1	75
2498 69	9	13.27	1552	5	+49 W	2	10	2	20	2538 69	9	23.30	1553	233	-8 W	5	60	1	55
2499 69	9	13.27	1552	5	+70 W	3	40	3	45	2539 69	9	23.30	1553	233	+52 W	4	50	2	70
2500 69	9	15.30	1552	159	+86 E	9	35	1	80	2540 69	9	24.29	1553	40	+76 E	1	20	2	15
2501 69	9	15.30	1552	159	+36 E	4	51	2	50	2541 69	9	24.29	1553	40	+33 E	6	35	2	55
2502 69	9	15.30	1552	159	+26 E	12	75	2	365	2542 69	9	24.29	1553	40	+18 E	2	10	2	20
2503 69	9	15.30	1552	159	-4 E	17	58	3	280	2543 69	9	24.29	1553	40	-7 E	5	20	1	30
2504 69	9	15.30	1552	159	-39 E	9	28	2	80	2544 69	9	24.29	1553	40	-39 E	2	30	3	20
2505 69	9	15.30	1552	159	-60 E	5	40	2	60	2545 69	9	24.29	1553	40	-73 E	6	10	2	20
2506 69	9	15.30	1552	339	-70 W	1	25	1	15	2546 69	9	24.29	1553	220	-58 W	7	120	2	165
2507 69	9	15.30	1552	339	-54 W	9	85	2	285	2547 69	9	24.29	1553	220	-23 W	3	10	2	15
2508 69	9	15.30	1552	339	-33 W	1	30	1	15	2548 69	9	24.29	1553	220	-8 W	1	20	1	10
2509 69	9	15.30	1552	339	+9 W	5	15	3	20	2549 69	9	24.29	1553	220	+53 W	9	50	3	185
2510 69	9	15.30	1552	339	+76 W	11	75	1	160	2550 69	9	25.27	1553	27	+33 E	5	55	3	80

TABLE 1 CONTINUED

TABLE 1 CONTINUED

TABLE 1 CONTINUED

2551 69	9	25.27	1553	27	- 6 E	5	20	2	35	2591 69 10	6.28	1553	242	+23 E	1	21	2	22
2552 69	9	25.27	1553	27	-14 E	5	20	2	35	2592 69 10	6.28	1553	242	+ 6 E	6	50	2	171
2553 69	9	25.27	1553	27	-75 E	2	12	1	10	2593 69 10	6.28	1553	242	-37 E	5	30	3	192
2554 69	9	25.27	1553	207	-29 W	4	40	3	60	2594 69 10	6.28	1553	242	-73 E	5	38	3	110
2555 69	9	25.27	1553	207	+18 W	1	20	1	15	2595 69 10	6.28	1553	62	-65 W	7	39	1	75
2556 69	9	25.27	1553	207	+34 W	1	20	1	20	2596 69 10	6.28	1553	62	-26 W	2	12	1	17
2557 69	9	25.27	1553	207	+53 W	6	50	3	165	2597 69 10	6.28	1553	62	- 7 W	3	30	1	37
2558 69	9	26.33	1553	13	+76 E	5	40	1	25	2598 69 10	6.28	1553	62	+19 W	3	60	1	29
2559 69	9	26.33	1553	13	+32 E	2	30	2	25	2599 69 10	6.28	1553	62	+38 W	7	69	3	205
2560 69	9	26.33	1553	13	-40 E	9	45	2	110	2600 69 10	6.28	1553	62	+57 W	5	86	2	143
2561 69	9	26.33	1553	193	-34 W	7	20	2	45	2601 69 10	6.28	1553	62	+87 W	17	62	1	147
2562 69	9	26.33	1553	193	- 3 W	1	20	2	15	2602 69 10	7.27	1553	229	+74 E	3	31	1	22
2563 69	9	26.33	1553	193	+28 W	3	30	2	30	2603 69 10	7.27	1553	229	+43 E	10	37	2	87
2564 69	9	26.33	1553	193	+56 W	4	40	3	105	2604 69 10	7.27	1553	229	+ 3 E	1	19	2	16
2565 69	9	28.32	1553	347	-11 E	12	60	2	210	2605 69 10	7.27	1553	229	- 3 E	7	32	3	122
2566 69	9	28.32	1553	347	-45 E	15	80	2	465	2606 69 10	7.27	1553	229	-11 E	4	30	1	24
2567 69	9	28.32	1553	167	-62 W	4	10	2	20	2607 69 10	7.27	1553	229	-39 E	4	36	2	57
2568 69	9	28.32	1553	167	-38 W	6	30	3	55	2608 69 10	7.27	1553	229	-75 E	10	39	2	76
2569 69	9	28.32	1553	167	-11 W	3	52	1	20	2609 69 10	7.27	1553	49	-64 W	9	50	2	70
2570 69	9	28.32	1553	167	+ 4 W	6	55	2	80	2610 69 10	7.27	1553	49	-45 W	1	20	2	14
2571 69	9	28.32	1553	167	+60 W	3	10	2	20	2611 69 10	7.27	1553	49	- 5 W	22	49	2	234
2572 69	9	29.29	1553	334	+78 E	1	20	1	20	2612 69 10	7.27	1553	49	+18 W	8	30	3	132
2573 69	9	29.29	1553	334	+16 E	11	40	2	155	2613 69 10	7.27	1553	49	+36 W	9	60	3	320
2574 69	9	29.29	1553	334	-12 E	7	30	2	70	2614 69 10	7.27	1553	49	+58 W	4	147	1	200
2575 69	9	29.29	1553	334	-49 E	15	60	3	465	2615 69 10	7.27	1553	49	+77 W	2	11	2	14
2576 69	9	29.29	1553	154	-68 W	4	30	2	30	2616 69 10	10.38	1553	188	+81 E	8	93	1	128
2577 69	9	29.29	1553	154	-37 W	7	15	2	45	2617 69 10	10.38	1553	188	+53 E	5	36	3	162
2578 69	9	29.29	1553	154	+ 5 W	1	30	1	20	2618 69 10	10.38	1553	188	+29 E	2	30	3	31
2579 69	9	29.29	1553	154	+34 W	5	20	2	30	2619 69 10	10.38	1553	188	+12 E	5	41	2	108
2580 69	9	29.29	1553	154	+61 W	6	15	2	35	2620 69 10	10.38	1553	188	-10 E	18	47	2	228
2581 69	9	30.27	1553	321	+87 E	1	10	1	7	2621 69 10	10.38	1553	188	-28 E	4	16	2	54
2582 69	9	30.27	1553	321	+40 E	6	45	2	85	2622 69 10	10.38	1553	138	-38 E	6	49	3	172
2583 69	9	30.27	1553	321	+16 E	8	50	2	210	2623 69 10	10.38	1553	188	-61 E	1	30	2	26
2584 69	9	30.27	1553	321	-50 E	10	60	2	160	2624 69 10	10.38	1553	188	-73 E	10	33	2	122
2585 69	9	30.27	1553	321	-71 E	2	50	1	15	2625 69 10	10.38	1553	8	-69 W	3	22	2	21
2586 69	9	30.27	1553	141	-78 W	4	15	2	35	2626 69 10	10.38	1553	8	-32 W	28	80	2	550
2587 69	9	30.27	1553	141	-67 W	3	40	2	50	2627 69 10	10.38	1553	8	+53 W	3	48	2	98
2588 69	9	30.27	1553	141	-42 W	6	45	3	75	2628 69 10	10.38	1553	8	+83 W	1	42	2	47
2589 69	9	30.27	1553	141	+37 W	3	30	3	50	2629 69 10	12.27	1553	163	+83 E	4	31	1	22
2590 69	10	6.28	1553	242	+47 E	13	29	1	159	2630 69 10	12.27	1553	163	+54 E	5	39	2	67

TABLE 1 CONTINUED

TABLE 1 CONTINUED

2631	69 10	12.27	1553	163	+24 E	5	18	1	41	2671	69 10	16.40	1553	288	+12 W	6	75	2	70
2632	69 10	12.27	1553	163	- 4 E	5	174	2	141	2672	69 10	16.40	1553	288	+44 W	8	80	2	185
2633	69 10	12.27	1553	163	-78 E	5	30	2	73	2673	69 10	16.40	1553	288	+84 W	4	20	1	30
2634	69 10	12.27	1553	343	-35 W	22	90	3	470	2674	69 10	17.27	1553	97	+27 W	4	10	2	20
2635	69 10	12.27	1553	343	- 8 W	6	40	2	85	2675	69 10	17.27	1553	97	+18 E	3	30	2	30
2636	69 10	12.27	1553	343	+27 W	5	30	1	42	2676	69 10	17.27	1553	97	+ 6 E	1	30	1	20
2637	69 10	12.27	1553	343	+54 W	1	1531	2	33	2677	69 10	17.27	1553	277	-76 W	3	20	1	20
2638	69 10	12.27	1553	343	+88 W	1	1520	1	15	2678	69 10	17.27	1553	277	-67 W	1	25	2	20
2639	69 10	13.29	1553	149	+85 E	1	20	1	15	2679	69 10	17.27	1553	277	-20 W	2	10	2	20
2640	69 10	13.29	1553	149	+53 E	2	30	3	32	2680	69 10	17.27	1553	277	+ 3 W	1	20	1	20
2641	69 10	13.29	1553	149	+31 E	8	39	2	120	2681	69 10	17.27	1553	277	+19 W	1	65	1	40
2642	69 10	13.29	1553	149	-43 E	3	12	3	41	2682	69 10	17.27	1553	277	+43 W	3	125	1	120
2643	69 10	13.29	1553	149	-66 E	1	23	1	20	2683	69 10	17.27	1553	277	+77 W	1	20	1	20
2644	69 10	13.29	1553	149	-87 E	3	20	1	35	2684	69 10	18.55	1554	80	+88 E	10	60	2	100
2645	69 10	13.29	1553	329	-75 W	3	20	1	36	2685	69 10	18.55	1554	80	+51 E	3	20	2	30
2646	69 10	13.29	1553	329	-65 W	3	31	2	40	2686	69 10	18.55	1554	80	+29 E	13	45	3	240
2647	69 10	13.29	1553	329	-51 W	4	30	1	40	2687	69 10	18.55	1554	80	+10 E	11	100	3	160
2648	69 10	13.29	1553	329	-35 W	13	60	2	220	2688	69 10	18.55	1554	80	-29 E	4	10	2	30
2649	69 10	13.29	1553	329	+13 W	5	41	1	35	2689	69 10	18.55	1554	80	-67 E	5	20	2	60
2650	69 10	13.29	1553	329	+24 W	9	62	1	112	2690	69 10	18.55	1554	260	-71 W	10	20	3	100
2651	69 10	13.29	1553	329	+39 W	1	21	2	20	2691	69 10	18.55	1554	260	-32 W	4	35	3	90
2652	69 10	13.29	1553	329	+48 W	2	18	2	18	2692	69 10	18.55	1554	260	+16 W	8	25	3	70
2653	69 10	13.29	1553	329	+57 W	2	30	1	33	2693	69 10	19.31	1554	70	+80 E	1	40	2	30
2654	69 10	13.29	1553	329	+76 W	1	18	1	17	2694	69 10	19.31	1554	70	+50 E	4	40	3	50
2655	69 10	14.31	1553	136	+40 E	5	42	1	55	2695	69 10	19.31	1554	70	+31 E	14	40	3	390
2656	69 10	14.31	1553	136	+33 E	2	20	1	25	2696	69 10	19.31	1554	70	+ 1 E	28	80	2	160
2657	69 10	14.31	1553	136	+20 E	3	51	1	130	2697	69 10	19.31	1554	70	-33 E	1	15	2	15
2658	69 10	14.31	1553	136	-28 E	2	30	1	32	2698	69 10	19.31	1554	70	-68 E	5	20	2	80
2659	69 10	14.31	1553	316	-72 W	2	20	1	18	2699	69 10	19.31	1554	250	-68 W	12	30	3	135
2660	69 10	14.31	1553	316	-51 W	1	20	1	20	2700	69 10	19.31	1554	250	-29 W	3	40	3	130
2661	69 10	14.31	1553	316	-41 W	2	30	1	31	2701	69 10	19.31	1554	250	+ 3 W	17	90	1	100
2662	69 10	14.31	1553	316	-31 W	7	69	2	170	2702	69 10	19.31	1554	250	+23 W	1	20	3	25
2663	69 10	14.31	1553	316	+27 W	7	20	1	81	2703	69 10	19.31	1554	250	+48 W	1	50	2	65
2664	69 10	16.40	1553	108	+18 E	7	50	3	95	2704	69 10	20.31	1554	57	+55 E	3	30	1	25
2665	69 10	16.40	1553	108	-25 E	11	20	2	80	2705	69 10	20.31	1554	57	+49 E	4	40	3	50
2666	69 10	16.40	1553	108	-45 E	1	150	2	150	2706	69 10	20.31	1554	57	+33 E	8	80	3	220
2667	69 10	16.40	1553	108	-72 E	2	20	2	35	2707	69 10	20.31	1554	57	+ 2 E	21	80	2	140
2668	69 10	16.40	1553	288	-71 W	5	15	1	20	2708	69 10	20.31	1554	57	-17 E	4	30	1	35
2669	69 10	16.40	1553	288	-42 W	21	40	2	160	2709	69 10	20.31	1554	57	-43 E	4	60	2	70
2670	69 10	16.40	1553	288	-16 W	10	20	2	65	2710	69 10	20.31	1554	57	-71 E	3	20	1	25

TABLE 1 CONTINUED

TABLE 1 CONTINUED

2711 69 10	20.31	1554	237	-69 W	8	50	2	135	2751 69 11	16.53	1555	57	+47 E	1	20	1	20
2712 69 10	20.31	1554	237	-29 W	3	50	3	80	2752 69 11	16.53	1555	57	-18 E	1	70	1	50
2713 69 10	20.31	1554	237	-18 W	3	15	2	20	2753 69 11	16.53	1555	57	-47 E	11	35	2	95
2714 69 10	20.31	1554	237	-7 W	1	20	2	15	2754 69 11	16.53	1555	57	-64 E	1	25	1	20
2715 69 10	20.31	1554	237	+4 W	2	30	3	50	2755 69 11	16.53	1555	237	-65 W	5	30	3	80
2716 69 10	20.31	1554	237	+14 W	2	30	2	30	2756 69 11	16.53	1555	237	+22 W	5	45	1	25
2717 69 10	20.31	1554	237	+53 W	13	50	2	170	2757 69 11	16.53	1555	237	+61 W	1	40	1	25
2718 69 10	21.30	1554	44	+54 E	7	20	2	70	2758 69 11	16.53	1555	237	+88 W	1	25	2	25
2719 69 10	21.30	1554	44	+33 E	7	70	3	300	2759 69 12	12.40	1556	76	+63 E	1	10	2	10
2720 69 10	21.30	1554	44	+15 E	3	10	2	30	2760 69 12	12.40	1556	76	+53 E	5	30	2	65
2721 69 10	21.30	1554	44	-26 E	3	30	3	30	2761 69 12	12.40	1556	76	+32 E	1	30	2	35
2722 69 10	21.30	1554	44	-50 E	4	15	2	50	2762 69 12	12.40	1556	76	+25 E	4	10	3	40
2723 69 10	21.30	1554	44	-70 E	4	10	2	30	2763 69 12	12.40	1556	76	+17 E	2	30	2	35
2724 69 10	21.30	1554	224	-70 W	5	40	3	100	2764 69 12	12.40	1556	76	-48 E	8	20	3	85
2725 69 10	21.30	1554	224	+22 W	1	20	3	15	2765 69 12	12.40	1556	76	-74 E	8	20	3	210
2726 69 10	21.30	1554	224	+51 W	8	100	3	130	2766 69 12	12.40	1556	256	-39 W	4	20	3	75
2727 69 11	6.34	1554	192	+72 E	1	30	1	15	2767 69 12	12.40	1556	256	-17 W	3	15	1	25
2728 69 11	6.34	1554	192	+45 E	8	40	3	110	2768 69 12	12.40	1556	256	-3 W	3	15	1	25
2729 69 11	6.34	1554	192	+29 E	1	15	1	10	2769 69 12	12.40	1556	256	+3 W	2	40	2	35
2730 69 11	6.34	1554	192	+11 E	1	10	1	15	2770 69 12	12.40	1556	256	+13 W	8	140	3	130
2731 69 11	6.34	1554	192	-2 E	6	20	1	35	2771 69 12	12.40	1556	256	+35 W	26	70	3	320
2732 69 11	6.34	1554	192	-14 E	4	20	2	50	2772 69 12	13.33	1556	64	+81 E	1	10	1	10
2733 69 11	6.34	1554	192	-21 E	1	10	2	15	2773 69 12	13.33	1556	64	+54 E	1	15	2	10
2734 69 11	6.34	1554	192	-34 E	5	30	3	115	2774 69 12	13.33	1556	64	+24 E	11	50	1	40
2735 69 11	6.34	1554	192	-41 E	1	10	3	15	2775 69 12	13.33	1556	64	+10 E	10	60	1	85
2736 69 11	6.34	1554	192	-60 E	1	20	1	10	2776 69 12	13.33	1556	64	-29 E	3	20	2	30
2737 69 11	6.34	1554	12	-63 W	1	30	2	35	2777 69 12	13.33	1556	64	-48 E	4	45	2	65
2738 69 11	6.34	1554	12	-19 W	2	20	3	30	2778 69 12	13.33	1556	64	-74 E	9	40	1	85
2739 69 11	6.34	1554	12	-12 W	4	15	3	50	2779 69 12	13.33	1556	244	-68 W	2	20	2	20
2740 69 11	6.34	1554	12	+40 W	2	15	2	25	2780 69 12	13.33	1556	244	-37 W	1	16	1	10
2741 69 11	7.33	1554	179	+39 E	5	30	3	100	2781 69 12	13.33	1556	244	-26 W	5	30	2	75
2742 69 11	7.33	1554	179	-23 E	2	15	2	25	2782 69 12	13.33	1556	244	-13 W	1	30	2	40
2743 69 11	7.33	1554	179	-43 E	7	30	2	115	2783 69 12	13.33	1556	244	+4 W	1	10	1	10
2744 69 11	7.33	1554	179	-83 E	8	30	2	70	2784 69 12	13.33	1556	244	+13 W	7	50	2	70
2745 69 11	7.33	1554	359	-17 W	1	20	1	15	2785 69 12	13.33	1556	244	+23 W	1	30	1	20
2746 69 11	7.33	1554	359	-8 W	19	30	3	140	2786 69 12	13.33	1556	244	+30 W	1	15	1	15
2747 69 11	7.33	1554	359	+19 W	1	50	1	25	2787 69 12	13.33	1556	244	+48 W	11	60	3	205
2748 69 11	7.33	1554	359	+29 W	5	25	3	60	2788 69 12	22.35	1556	305	+84 E	1	22	2	15
2749 69 11	7.33	1554	359	+50 W	1	20	3	25	2789 69 12	22.35	1556	305	+55 E	3	30	2	30
2750 69 11	16.53	1555	57	+85 E	1	45	1	25	2790 69 12	22.35	1556	305	+47 E	1	28	2	25

TABLE 1 CONTINUED

TABLE 1 CONTINUED

2791 69 12	22.35	1556	305	-10 E	8	52	3	165	2831 69 12	27.36	1556	58	-24 W	4	15	1	25
2792 69 12	22.35	1556	305	-40 E	3	50	2	35	2832 69 12	27.36	1556	58	+52 W	2	20	3	20
2793 69 12	22.35	1556	305	-71 E	1	35	2	25	2833 69 12	27.36	1556	58	+62 W	1	30	2	20
2794 69 12	22.35	1556	125	-70 W	3	35	3	85	2834 69 12	27.36	1556	58	+84 W	9	45	3	130
2795 69 12	22.35	1556	125	+3 W	1	15	2	15	2835 69 12	28.52	1556	223	+50 E	10	85	3	360
2796 69 12	22.35	1556	125	+20 W	10	30	3	175	2836 69 12	28.52	1556	223	-18 E	15	70	2	420
2797 69 12	22.35	1556	125	+63 W	11	30	3	90	2837 69 12	28.52	1556	223	-48 E	2	15	2	15
2798 69 12	22.35	1556	125	+87 W	6	35	2	110	2838 69 12	28.52	1556	223	-73 E	6	35	2	65
2799 69 12	24.42	1556	277	+87 E	3	32	2	65	2839 69 12	28.52	1556	43	-44 W	5	65	2	105
2800 69 12	24.42	1556	277	+43 E	10	60	2	60	2840 69 12	28.52	1556	43	-24 W	7	15	1	25
2801 69 12	24.42	1556	277	+16 E	6	15	2	55	2841 69 12	28.52	1556	43	-13 W	4	10	1	15
2802 69 12	24.42	1556	277	-29 E	5	100	1	55	2842 69 12	28.52	1556	43	+7 W	1	22	2	15
2803 69 12	24.42	1556	277	-41 E	16	60	2	180	2843 69 12	28.52	1556	43	+42 W	9	100	3	260
2804 69 12	24.42	1556	277	-75 E	8	40	2	80	2844 69 12	28.52	1556	43	+61 W	2	25	2	30
2805 69 12	24.42	1556	97	-69 W	4	70	2	240	2845 70 1	20.38	1557	281	+29 E	2	20	2	30
2806 69 12	24.42	1556	97	-8 W	6	30	1	45	2846 70 1	20.38	1557	281	+12 E	23	40	3	680
2807 69 12	24.42	1556	97	+4 W	9	115	1	65	2847 70 1	20.38	1557	281	-38 E	12	30	2	230
2808 69 12	24.42	1556	97	+31 W	6	25	2	60	2848 70 1	20.38	1557	281	-78 E	17	30	2	200
2809 69 12	24.42	1556	97	+59 W	7	75	3	220	2849 70 1	20.38	1557	101	-67 W	5	30	3	110
2810 69 12	24.42	1556	97	+83 W	1	20	2	15	2850 70 1	20.38	1557	101	-39 W	5	20	2	70
2811 69 12	25.35	1556	265	+88 E	2	30	1	35	2851 70 1	20.38	1557	101	-10 W	15	50	2	130
2812 69 12	25.35	1556	265	+52 E	6	10	1	55	2852 70 1	20.38	1557	101	+3 W	6	50	3	150
2813 69 12	25.35	1556	265	+18 E	4	20	2	60	2853 70 1	20.38	1557	101	+60 W	2	20	2	20
2814 69 12	25.35	1556	265	+9 E	2	36	1	15	2854 70 1	23.46	1557	241	+36 E	5	45	3	180
2815 69 12	25.35	1556	265	-1 E	8	25	2	70	2855 70 1	23.46	1557	241	+20 E	3	80	2	190
2816 69 12	25.35	1556	265	-46 E	17	95	2	570	2856 70 1	23.46	1557	241	-5 E	2	15	3	30
2817 69 12	25.35	1556	265	-76 E	4	50	3	110	2857 70 1	23.46	1557	241	-52 E	7	20	2	40
2818 69 12	25.35	1556	85	-70 W	5	110	2	320	2858 70 1	23.46	1557	61	-39 W	1	20	2	30
2819 69 12	25.35	1556	85	-42 W	2	10	2	15	2859 70 1	23.46	1557	61	-10 W	17	80	2	290
2820 69 12	25.35	1556	85	-17 W	19	95	1	90	2860 70 1	23.46	1557	61	+17 W	1	15	3	20
2821 69 12	25.35	1556	85	+7 W	10	80	1	90	2861 70 2	2.34	1557	110	+51 E	10	30	2	180
2822 69 12	25.35	1556	85	+57 W	8	70	2	165	2862 70 2	2.34	1557	110	-1 E	5	85	1	80
2823 69 12	25.35	1556	85	+83 W	2	15	2	20	2863 70 2	2.34	1557	110	-10 E	6	50	2	140
2824 69 12	27.36	1556	238	+76 E	3	30	1	15	2864 70 2	2.34	1557	110	-20 E	8	50	1	170
2825 69 12	27.36	1556	238	+50 E	10	90	2	320	2865 70 2	2.34	1557	110	-43 E	13	40	2	70
2826 69 12	27.36	1556	238	+35 E	9	30	2	120	2866 70 2	2.34	1557	110	-80 E	20	20	1	70
2827 69 12	27.36	1556	238	+25 E	8	240	3	550	2867 70 2	2.34	1557	290	-70 W	6	60	2	60
2828 69 12	27.36	1556	238	-1 E	2	15	2	25	2868 70 2	2.34	1557	290	-44 W	11	60	3	210
2829 69 12	27.36	1556	238	-18 E	7	15	2	35	2869 70 2	2.34	1557	290	-10 W	25	90	2	290
2830 69 12	27.36	1556	238	-73 E	6	40	2	95	2870 70 2	2.34	1557	290	+15 W	23	30	2	330

TABLE 1 CONTINUED

TABLE 1 CONTINUED

2871 70	2	2,34	1557	290	+60 W	1	40	2	20	2911 70	3	9,28	1559	9	+ 8 E	4	25	2	25
2872 70	2	7,34	1558	44	+25 E	8	35	2	180	2912 70	3	9,28	1559	9	- 9 E	9	30	1	40
2873 70	2	7,34	1558	44	- 8 E	6	60	2	160	2913 70	3	9,28	1559	9	-43 E	2	22	2	35
2874 70	2	7,34	1558	44	-18 E	8	40	2	160	2914 70	3	9,28	1559	9	-73 E	3	50	1	40
2875 70	2	7,34	1558	44	-46 E	5	60	1	50	2915 70	3	9,28	1559	189	- 7 W	6	65	1	45
2876 70	2	7,34	1558	224	-74 W	2	15	1	20	2916 70	3	9,28	1559	189	+10 W	6	120	1	110
2877 70	2	7,34	1558	224	-63 W	6	20	2	60	2917 70	3	9,28	1559	189	+26 W	25	45	2	320
2878 70	2	7,34	1558	224	- 7 W	5	50	3	110	2918 70	3	9,28	1559	189	+52 W	22	105	1	155
2879 70	2	7,34	1558	224	+46 W	3	30	2	40	2919 70	3	13,36	1559	315	+60 E	7	65	1	115
2880 70	2	12,36	1558	338	+55 E	3	30	2	70	2920 70	3	13,36	1559	315	+ 3 E	43	70	2	470
2881 70	2	12,36	1558	338	-12 E	3	20	2	40	2921 70	3	13,36	1559	315	-31 E	5	20	2	45
2882 70	2	12,36	1558	338	-30 E	15	60	1	200	2922 70	3	13,36	1559	315	-50 E	6	50	2	45
2883 70	2	12,36	1558	158	-66 W	2	70	3	80	2923 70	3	13,36	1559	135	-69 W	3	90	1	95
2884 70	2	12,36	1558	158	-40 W	2	20	1	20	2924 70	3	13,36	1559	135	-53 W	2	75	2	60
2885 70	2	12,36	1558	158	-21 W	3	20	3	30	2925 70	3	13,36	1559	135	-47 W	5	60	1	65
2886 70	2	12,36	1558	158	+21 W	2	10	1	10	2926 70	3	13,36	1559	135	+12 W	19	18	2	190
2887 70	2	14,49	1558	310	+57 E	1	20	1	20	2927 70	3	13,36	1559	135	+31 W	7	80	3	235
2888 70	2	14,49	1558	310	+39 E	4	30	2	70	2928 70	3	13,36	1559	135	+60 W	1	60	2	45
2889 70	2	14,49	1558	310	+15 E	10	80	3	410	2929 70	3	13,36	1559	135	+72 W	1	40	2	20
2890 70	2	14,49	1558	310	- 3 E	20	70	2	480	2930 70	3	16,38	1559	275	+61 E	10	85	3	455
2891 70	2	14,49	1558	310	-37 E	20	40	2	160	2931 70	3	16,38	1559	275	+32 E	2	8	1	12
2892 70	2	14,49	1558	310	-77 E	5	20	2	90	2932 70	3	16,38	1559	275	+ 1 E	3	22	1	27
2893 70	2	14,49	1558	130	-66 W	2	20	2	20	2933 70	3	16,38	1559	275	-27 E	12	25	2	65
2894 70	2	14,49	1558	130	-29 W	1	10	2	10	2934 70	3	16,38	1559	275	-42 E	2	20	1	30
2895 70	2	14,49	1558	130	+24 W	4	10	2	30	2935 70	3	16,38	1559	95	-64 W	9	55	2	110
2896 70	2	14,49	1558	130	+37 W	10	20	2	100	2936 70	3	16,38	1559	95	-45 W	15	45	2	200
2897 70	2	14,49	1558	130	+62 W	2	15	2	30	2937 70	3	16,38	1559	95	-20 W	7	48	2	120
2898 70	2	17,54	1558	270	+ 8 E	4	20	2	40	2938 70	3	16,38	1559	95	- 4 W	2	30	1	20
2899 70	2	17,54	1558	270	+24 E	7	25	2	80	2939 70	3	16,38	1559	95	+20 W	14	65	1	90
2900 70	2	17,54	1558	270	- 6 E	10	50	3	220	2940 70	3	16,38	1559	95	+64 W	11	35	2	95
2901 70	2	17,54	1558	270	-13 E	1	60	1	20	2941 70	3	17,43	1559	262	+64 E	19	100	3	780
2902 70	2	17,54	1558	270	-18 E	3	30	1	20	2942 70	3	17,43	1559	262	- 4 E	8	25	2	150
2903 70	2	17,54	1558	270	-42 E	25	130	3	950	2943 70	3	17,43	1559	262	-12 E	4	35	2	65
2904 70	2	17,54	1558	270	-77 E	6	20	2	80	2944 70	3	17,43	1559	262	-40 E	6	30	2	105
2905 70	2	17,54	1558	90	-14 W	19	100	1	130	2945 70	3	17,43	1559	262	-76 E	8	40	1	120
2906 70	2	17,54	1558	90	+18 W	1	10	2	10	2946 70	3	17,43	1559	82	-78 W	3	12	2	20
2907 70	2	17,54	1558	90	+34 W	5	50	2	80	2947 70	3	17,43	1559	82	-69 W	9	28	2	45
2908 70	2	17,54	1558	90	+64 W	2	30	2	50	2948 70	3	17,43	1559	82	-20 W	22	50	3	390
2909 70	3	9,28	1559	9	+54 E	7	35	1	110	2949 70	3	17,43	1559	82	+12 W	7	60	1	45
2910 70	3	9,28	1559	9	+35 E	10	80	3	355	2950 70	3	17,43	1559	82	+35 W	8	25	2	110

TABLE 1 CONTINUED

TABLE 1 CONTINUED

2951 70	3	17.43	1559	82	+65 W	2	30	2	20	2991 70	4	12.51	1560	277	-79 E	1	15	1	15
2952 70	3	26.42	1559	143	+55 E	3	20	1	35	2992 70	4	12.51	1560	277	-85 E	1	10	1	10
2953 70	3	26.42	1559	143	+23 E	4	12	2	30	2993 70	4	12.51	1560	97	-54 W	2	70	2	90
2954 70	3	26.42	1559	143	+3 E	9	30	2	110	2994 70	4	12.51	1560	97	-19 W	10	50	1	55
2955 70	3	26.42	1559	143	-16 E	2	45	1	55	2995 70	4	12.51	1560	97	+57 W	1	30	2	30
2956 70	3	26.42	1559	143	-44 E	15	102	2	550	2996 70	4	16.32	1560	227	+68 E	9	45	3	210
2957 70	3	26.42	1559	143	-85 E	8	65	2	85	2997 70	4	16.32	1560	227	+57 E	2	20	1	20
2958 70	3	26.42	1559	323	-48 W	4	30	2	65	2998 70	4	16.32	1560	227	+47 E	2	15	1	35
2959 70	3	26.42	1559	323	+19 W	8	30	1	45	2999 70	4	16.32	1560	227	+32 E	1	20	1	20
2960 70	3	26.42	1559	323	+63 W	3	25	2	30	3000 70	4	16.32	1560	227	+13 E	5	60	3	135
2961 70	3	27.31	1559	131	+54 E	2	25	1	20	3001 70	4	16.32	1560	227	-3 E	3	50	1	60
2962 70	3	27.31	1559	131	+21 E	4	10	2	30	3002 70	4	16.32	1560	227	-27 E	2	30	3	30
2963 70	3	27.31	1559	131	+8 E	9	45	3	255	3003 70	4	16.32	1560	227	-43 E	6	80	3	210
2964 70	3	27.31	1559	131	-6 E	3	40	2	45	3004 70	4	16.32	1560	227	-56 E	3	15	2	30
2965 70	3	27.31	1559	131	-50 E	18	80	2	290	3005 70	4	16.32	1560	47	-85 W	30	60	1	360
2966 70	3	27.31	1559	311	-18 W	5	55	1	75	3006 70	4	16.32	1560	47	-37 W	4	20	3	45
2967 70	3	27.31	1559	311	+10 W	9	20	2	65	3007 70	4	16.32	1560	47	+5 W	37	90	2	570
2968 70	3	27.31	1559	311	+24 W	3	15	1	25	3008 70	4	16.32	1560	47	+40 W	4	35	3	60
2969 70	4	6.54	1560	356	+78 E	6	20	2	100	3009 70	5	1.26	1561	30	+63 E	2	20	2	45
2970 70	4	6.54	1560	356	+38 E	2	20	3	35	3010 70	5	1.26	1561	30	+33 E	2	15	2	30
2971 70	4	6.54	1560	356	-18 E	1	45	1	35	3011 70	5	1.26	1561	30	+27 E	4	20	2	70
2972 70	4	6.54	1560	356	-31 E	12	20	2	220	3012 70	5	1.26	1561	30	+16 E	3	20	2	30
2973 70	4	6.54	1560	356	-77 E	6	20	2	70	3013 70	5	1.26	1561	30	+10 E	3	20	2	20
2974 70	4	6.54	1560	176	-1 W	16	90	3	420	3014 70	5	1.26	1561	30	-28 E	2	20	1	20
2975 70	4	6.54	1560	176	+22 W	13	40	3	290	3015 70	5	1.26	1561	30	-52 E	3	30	1	50
2976 70	4	6.54	1560	176	+51 W	1	30	2	25	3016 70	5	1.26	1561	210	-49 W	4	30	2	70
2977 70	4	10.38	1560	305	+62 E	5	40	2	85	3017 70	5	1.26	1561	210	-38 W	5	10	1	20
2978 70	4	10.38	1560	305	+25 E	7	30	3	80	3018 70	5	1.26	1561	210	-29 W	5	50	3	120
2979 70	4	10.38	1560	305	-13 E	3	10	2	20	3019 70	5	1.26	1561	210	-19 W	6	40	2	130
2980 70	4	10.38	1560	125	-68 W	3	15	2	30	3020 70	5	1.26	1561	210	+31 W	3	20	2	20
2981 70	4	10.38	1560	125	-42 W	10	50	2	120	3021 70	5	1.26	1561	210	+42 W	5	20	1	50
2982 70	4	10.38	1560	125	-30 W	2	10	2	20	3022 70	5	1.26	1561	210	+53 W	5	40	2	110
2983 70	4	10.38	1560	125	-23 W	5	30	2	85	3023 70	5	3.32	1561	3	+58 E	9	40	2	270
2984 70	4	10.38	1560	125	+29 W	10	30	3	260	3024 70	5	3.32	1561	3	+34 E	7	60	1	40
2985 70	4	10.38	1560	125	+63 W	10	25	2	195	3025 70	5	3.32	1561	3	+23 E	2	20	1	30
2986 70	4	12.51	1560	277	+60 E	4	30	2	75	3026 70	5	3.32	1561	3	+5 E	12	60	1	70
2987 70	4	12.51	1560	277	+38 E	11	110	2	285	3027 70	5	3.32	1561	3	-9 E	8	50	2	150
2988 70	4	12.51	1560	277	+9 E	17	20	3	165	3028 70	5	3.32	1561	3	-30 E	1	10	2	10
2989 70	4	12.51	1560	277	-18 E	4	15	3	40	3029 70	5	3.32	1561	3	-82 E	5	30	2	70
2990 70	4	12.51	1560	277	-33 E	15	95	2	230	3030 70	5	3.32	1561	183	-72 W	1	20	1	20

TABLE 1 CONTINUED

TABLE 1 CONTINUED

3031 70	5	3.32	1561	183	-64 W	1	10	1	10	1	10	3071 70	5	20.37	1561	318	-36 W	5	90	2	160
3032 70	5	3.32	1561	183	-52 W	8	30	1	100			3072 70	5	20.37	1561	318	+9 W	6	40	1	120
3033 70	5	3.32	1561	183	-30 W	9	30	2	120			3073 70	5	20.37	1561	318	+28 W	6	30	2	90
3034 70	5	3.32	1561	183	+29 W	11	70	2	360			3074 70	5	29.62	1562	16	+32 E	23	80	3	760
3035 70	5	3.32	1561	183	+68 W	2	30	2	30			3075 70	5	29.62	1562	16	+8 E	4	30	1	55
3036 70	5	4.27	1561	350	+57 F	9	20	2	110			3076 70	5	29.62	1562	16	+1 E	4	20	1	55
3037 70	5	4.27	1561	350	+31 E	9	20	2	50			3077 70	5	29.62	1562	16	-11 E	1	30	1	25
3038 70	5	4.27	1561	350	+7 E	4	20	1	70			3078 70	5	29.62	1562	16	-37 E	2	30	2	35
3039 70	5	4.27	1561	350	-10 E	3	30	2	50			3079 70	5	29.62	1562	16	-85 E	9	30	1	70
3040 70	5	4.27	1561	350	-35 E	2	20	1	20			3080 70	5	29.62	1562	196	-77 W	2	15	1	25
3041 70	5	4.27	1561	350	-50 E	1	10	1	10			3081 70	5	29.62	1562	196	-53 W	4	30	2	55
3042 70	5	4.27	1561	350	-76 E	11	20	1	30			3082 70	5	29.62	1562	196	-47 W	6	70	1	95
3043 70	5	4.27	1561	170	-51 W	2	20	1	20			3083 70	5	29.62	1562	196	-28 W	4	15	1	30
3044 70	5	4.27	1561	170	-29 W	2	20	2	20			3084 70	5	29.62	1562	196	-2 W	6	20	1	35
3045 70	5	4.27	1561	170	-15 W	3	10	1	10			3085 70	5	29.62	1562	196	+21 W	14	30	2	120
3046 70	5	4.27	1561	170	-3 W	4	10	1	30			3086 70	5	29.62	1562	196	+53 W	2	30	2	45
3047 70	5	4.27	1561	170	+20 W	10	60	2	180			3087 70	5	29.62	1562	196	+68 W	4	40	2	100
3048 70	5	4.27	1561	170	+33 W	5	20	2	60			3088 70	5	30.42	1562	5	+62 E	8	20	2	70
3049 70	5	4.27	1561	170	+46 W	1	10	1	10			3089 70	5	30.42	1562	5	+28 E	35	130	2	610
3050 70	5	4.27	1561	170	+62 W	16	20	2	110			3090 70	5	30.42	1562	5	-30 E	1	30	1	15
3051 70	5	15.38	1561	203	+52 E	4	20	2	60			3091 70	5	30.42	1562	5	-41 E	6	10	2	55
3052 70	5	15.38	1561	203	+33 E	2	20	2	30			3092 70	5	30.42	1562	5	-80 E	3	50	1	70
3053 70	5	15.38	1561	203	+22 E	2	20	2	30			3093 70	5	30.42	1562	185	-76 W	11	20	2	70
3054 70	5	15.38	1561	203	-7 E	4	40	1	30			3094 70	5	30.42	1562	185	-55 W	2	20	1	20
3055 70	5	15.38	1561	203	-30 E	33	50	2	660			3095 70	5	30.42	1562	185	-28 W	3	10	1	35
3056 70	5	15.38	1561	203	-57 E	1	20	2	20			3096 70	5	30.42	1562	185	+68 W	7	30	2	110
3057 70	5	15.38	1561	203	-74 E	3	70	2	130			3097 70	6	1.31	1562	340	+80 E	1	20	1	15
3058 70	5	15.38	1561	203	-53 W	3	10	1	20			3098 70	6	1.31	1562	340	+62 E	15	30	2	90
3059 70	5	15.38	1561	203	-29 W	3	20	2	20			3099 70	6	1.31	1562	340	+44 E	1	30	1	30
3060 70	5	15.38	1561	203	-6 W	7	50	2	130			3100 70	6	1.31	1562	340	+39 E	2	20	1	15
3061 70	5	15.38	1561	203	+3 W	3	20	1	40			3101 70	6	1.31	1562	340	+29 E	3	20	2	40
3062 70	5	15.38	1561	203	+20 W	19	30	2	410			3102 70	6	1.31	1562	340	+18 E	1	10	2	10
3063 70	5	15.38	1561	203	+50 W	2	5	2	5			3103 70	6	1.31	1562	340	+2 E	10	70	1	90
3064 70	5	15.38	1561	203	+68 W	1	20	2	20			3104 70	6	1.31	1562	340	-20 E	22	50	2	550
3065 70	5	20.37	1561	138	-5 E	20	60	1	120			3105 70	6	1.31	1562	340	-50 E	2	20	1	30
3066 70	5	20.37	1561	138	-32 E	5	10	2	45			3106 70	6	1.31	1562	340	-82 E	4	90	2	180
3067 70	5	20.37	1561	138	-77 E	6	30	2	55			3107 70	6	1.31	1562	160	-71 W	3	30	1	50
3068 70	5	20.37	1561	318	-81 W	4	20	1	70			3108 70	6	1.31	1562	160	-42 W	2	30	2	20
3069 70	5	20.37	1561	318	-74 W	3	40	2	80			3109 70	6	1.31	1562	160	-33 W	1	10	1	10
3070 70	5	20.37	1561	318	-43 W	7	50	3	240			3110 70	6	1.31	1562	160	-21 W	4	10	2	20

TABLE 1 CONTINUED

3111 70	6	1.31	1562	160	-10 W	6	30	1	80	3151 70	6	7.73	1562	75	+53 W	1	30	1	30	
3112 70	6	1.31	1562	160	+14 W	7	40	2	90	3152 70	6	7.73	1562	75	+61 W	1	30	1	25	
3113 70	6	1.31	1562	160	+26 W	10	50	2	110	3153 70	6	7.73	1562	75	+70 W	2	25	1	35	
3114 70	6	1.31	1562	160	+63 W	14	160	2	280	3154 70	6	8.20	1562	249	+63 E	7	20	1	75	
3115 70	6	2.64	1562	322	+61 E	1	30	1	25	3155 70	6	8.20	1562	249	+22 E	4	105	2	240	
3116 70	6	2.64	1562	322	+41 E	2	20	1	30	3156 70	6	8.20	1562	249	+11 E	3	30	2	65	
3117 70	6	2.64	1562	322	+25 E	4	30	2	60	3157 70	6	8.20	1562	249	- 8 E	6	20	1	30	
3118 70	6	2.64	1562	322	-30 E	8	30	2	180	3158 70	6	8.20	1562	249	-44 E	8	35	2	110	
3119 70	6	2.64	1562	322	-42 E	5	30	1	90	3159 70	6	8.20	1562	249	-79 E	3	15	1	25	
3120 70	6	2.64	1562	142	-43 W	6	40	1	120	3160 70	6	8.20	1562	69	-78 W	11	200	2	520	
3121 70	6	2.64	1562	142	-26 W	2	10	1	20	3161 70	6	8.20	1562	69	-43 W	4	65	3	110	
3122 70	6	2.64	1562	142	- 5 W	7	100	1	310	3162 70	6	8.20	1562	69	-25 W	20	60	2	270	
3123 70	6	2.64	1562	142	+21 W	12	80	1	180	3163 70	6	8.20	1562	69	-10 W	1	20	2	20	
3124 70	6	2.64	1562	142	+61 W	7	30	1	70	3164 70	6	8.20	1562	69	+ 6 W	9	30	2	220	
3125 70	6	3.20	1562	315	+41 E	3	25	1	40	3165 70	6	8.20	1562	69	+36 W	12	40	2	350	
3126 70	6	3.20	1562	315	+24 E	4	25	2	70	3166 70	6	8.20	1562	69	+54 W	1	15	1	15	
3127 70	6	3.20	1562	315	+15 E	1	10	1	10	3167 70	6	8.20	1562	69	+61 W	1	20	1	25	
3128 70	6	3.20	1562	315	-30 E	2	20	1	40	3168 70	6	8.20	1562	69	+68 W	4	40	2	85	
3129 70	6	3.20	1562	315	-41 E	3	30	1	70	3169 70	6	9.21	1562	236	+63 E	12	35	2	150	
3130 70	6	3.20	1562	315	-88 E	1	5	40	1	110	3170 70	6	9.21	1562	236	+37 E	2	10	1	20
3131 70	6	3.20	1562	135	-74 W	1	50	1	20	3171 70	6	9.21	1562	236	+ 7 E	15	165	2	770	
3132 70	6	3.20	1562	135	-46 W	1	5	30	1	110	3172 70	6	9.21	1562	236	-43 E	4	50	2	90
3133 70	6	3.20	1562	135	-38 W	3	30	1	60	3173 70	6	9.21	1562	56	-73 W	3	30	1	40	
3134 70	6	3.20	1562	135	+ 4 W	19	40	2	130	3174 70	6	9.21	1562	56	-43 W	4	40	2	85	
3135 70	6	3.20	1562	135	+22 W	10	30	1	60	3175 70	6	9.21	1562	56	-32 W	3	50	2	180	
3136 70	6	3.20	1562	135	+58 W	5	30	1	70	3176 70	6	9.21	1562	56	- 8 W	3	50	1	65	
3137 70	6	7.73	1562	255	+60 E	4	30	3	60	3177 70	6	9.21	1562	56	+38 W	4	20	2	55	
3138 70	6	7.73	1562	255	+25 E	22	50	1	230	3178 70	6	9.21	1562	56	+61 W	1	40	1	30	
3139 70	6	7.73	1562	255	+10 E	1	30	1	30	3179 70	6	9.21	1562	56	+72 W	7	50	2	150	
3140 70	6	7.73	1562	255	- 4 E	4	30	1	30	3180 70	6	13.36	1562	181	+63 E	7	20	2	80	
3141 70	6	7.73	1562	255	-43 E	4	40	2	80	3181 70	6	13.36	1562	181	+51 E	1	15	1	10	
3142 70	6	7.73	1562	255	-56 E	2	10	1	20	3182 70	6	13.36	1562	181	+13 E	9	40	2	270	
3143 70	6	7.73	1562	255	-78 E	6	50	1	30	3183 70	6	13.36	1562	181	0 E	3	30	1	60	
3144 70	6	7.73	1562	75	-77 W	9	80	1	190	3184 70	6	13.36	1562	181	-14 E	9	30	1	40	
3145 70	6	7.73	1562	75	-32 W	22	80	2	650	3185 70	6	13.36	1562	181	-29 E	6	30	1	120	
3146 70	6	7.73	1562	75	-13 W	4	30	1	40	3186 70	6	13.36	1562	181	-39 E	4	10	1	35	
3147 70	6	7.73	1562	75	- 6 W	5	30	2	120	3187 70	6	13.36	1562	181	-56 E	1	10	1	10	
3148 70	6	7.73	1562	75	+ 2 W	7	30	2	130	3188 70	6	13.36	1562	181	-73 E	4	120	1	100	
3149 70	6	7.73	1562	75	+16 W	3	40	1	40	3189 70	6	13.36	1562	1	-78 W	4	30	2	85	
3150 70	6	7.73	1562	75	+33 W	12	40	3	270	3190 70	6	13.36	1562	1	-52 W	8	30	2	60	

TABLE 1 CONTINUED

3191 70	6	13.36	1562	1	+ 8 W	6	90	2	240	3231 70	6	18.19	1562	297	+28 W	2	15	1	20
3192 70	6	13.36	1562	1	+32 W	30	105	3	1550	3232 70	6	18.19	1562	297	+34 W	4	20	1	60
3193 70	6	13.36	1562	1	+70 W	5	30	2	120	3233 70	6	18.19	1562	297	+81 W	11	50	2	220
3194 70	6	15.63	1562	151	+46 E	1	10	1	10	3234 70	6	19.18	1562	104	+86 E	2	20	1	20
3195 70	6	15.63	1562	151	+24 E	1	10	1	10	3235 70	6	19.18	1562	104	+63 E	6	40	1	150
3196 70	6	15.63	1562	151	+10 E	6	110	1	140	3236 70	6	19.18	1562	104	+55 E	4	30	2	50
3197 70	6	15.63	1562	151	- 7 E	7	50	1	150	3237 70	6	19.18	1562	104	+37 E	2	20	1	40
3198 70	6	15.63	1562	151	-21 E	1	130	1	110	3238 70	6	19.18	1562	104	+20 E	11	30	1	200
3199 70	6	15.63	1562	151	-30 E	1	10	1	10	3239 70	6	19.18	1562	104	+ 4 E	16	60	2	280
3200 70	6	15.63	1562	151	-52 E	5	30	2	85	3240 70	6	19.18	1562	104	-11 E	2	40	1	40
3201 70	6	15.63	1562	151	-73 E	3	20	1	45	3241 70	6	19.18	1562	104	-17 E	2	20	1	30
3202 70	6	15.63	1562	331	-85 W	1	10	1	10	3242 70	6	19.18	1562	104	-43 E	5	25	1	60
3203 70	6	15.63	1562	331	-79 W	1	15	1	15	3243 70	6	19.18	1562	104	-78 E	4	30	1	40
3204 70	6	15.63	1562	331	-70 W	1	20	1	15	3244 70	6	19.18	1562	284	-78 W	10	40	2	250
3205 70	6	15.63	1562	331	-17 W	13	30	2	200	3245 70	6	19.18	1562	284	-45 W	3	20	2	30
3206 70	6	15.63	1562	331	+32 W	11	41	2	170	3246 70	6	19.18	1562	284	-37 W	9	20	2	120
3207 70	6	15.63	1562	331	+73 W	8	20	2	90	3247 70	6	19.18	1562	284	-27 W	1	20	2	20
3208 70	6	16.18	1562	144	+49 E	6	20	2	100	3248 70	6	19.18	1562	284	-20 W	2	20	2	35
3209 70	6	16.18	1562	144	+11 E	3	30	1	40	3249 70	6	19.18	1562	284	- 4 W	20	30	3	460
3210 70	6	16.18	1562	144	- 5 E	9	50	1	120	3250 70	6	19.18	1562	284	+26 W	14	140	2	260
3211 70	6	16.18	1562	144	-26 E	3	150	1	70	3251 70	6	19.18	1562	284	+42 W	5	20	2	30
3212 70	6	16.18	1562	144	-35 E	9	30	2	90	3252 70	6	19.18	1562	284	+67 W	9	30	1	140
3213 70	6	16.18	1562	324	-80 W	1	30	1	30	3253 70	6	20.20	1563	91	+70 E	2	30	1	40
3214 70	6	16.18	1562	324	-68 W	6	50	1	140	3254 70	6	20.20	1563	91	+55 E	8	70	2	310
3215 70	6	16.18	1562	324	-45 W	1	10	1	15	3255 70	6	20.20	1563	91	+24 E	6	30	2	90
3216 70	6	16.18	1562	324	-24 W	10	30	1	150	3256 70	6	20.20	1563	91	+11 E	5	20	1	40
3217 70	6	16.18	1562	324	+36 W	5	20	2	60	3257 70	6	20.20	1563	91	- 5 E	13	30	2	170
3218 70	6	16.18	1562	324	+75 W	8	40	2	220	3258 70	6	20.20	1563	91	-20 E	5	30	2	110
3219 70	6	18.19	1562	117	+66 E	1	10	1	15	3259 70	6	20.20	1563	91	-44 E	16	60	2	370
3220 70	6	18.19	1562	117	+53 E	1	15	2	20	3260 70	6	20.20	1563	91	-80 E	1	20	1	15
3221 70	6	18.19	1562	117	+33 E	6	30	2	120	3261 70	6	20.20	1563	91	-88 E	1	50	1	15
3222 70	6	18.19	1562	117	+14 E	10	40	2	90	3262 70	6	20.20	1563	271	-78 W	9	50	2	260
3223 70	6	18.19	1562	117	- 6 E	3	20	2	40	3263 70	6	20.20	1563	271	-36 W	24	20	2	250
3224 70	6	18.19	1562	117	-41 E	6	20	1	80	3264 70	6	20.20	1563	271	-12 W	4	10	1	30
3225 70	6	18.19	1562	117	-55 E	3	10	1	30	3265 70	6	20.20	1563	271	+16 W	9	60	1	80
3226 70	6	18.19	1562	117	-81 E	6	20	1	60	3266 70	6	20.20	1563	271	+35 W	11	80	1	150
3227 70	6	18.19	1562	297	-75 W	7	40	2	180	3267 70	6	20.20	1563	271	+68 W	6	30	2	130
3228 70	6	18.19	1562	297	-11 W	3	20	1	30	3268 70	6	21.23	1563	77	+55 E	3	20	2	40
3229 70	6	18.19	1562	297	- 6 W	2	20	1	30	3269 70	6	21.23	1563	77	+43 E	2	15	2	20
3230 70	6	18.19	1562	297	+19 W	5	20	1	90	3270 70	6	21.23	1563	77	+28 E	8	20	1	60

TABLE 1 CONTINUED

TABLE 1 CONTINUED

3271 70	6	21.23	1563	77	- 2 E	9	25	2	140	3311 70	6	29.21	1563	332	+36 E	9	30	2	120
3272 70	6	21.23	1563	77	-12 E	3	10	1	30	3312 70	6	29.21	1563	332	+21 E	9	80	2	90
3273 70	6	21.23	1563	77	-20 E	5	20	2	60	3313 70	6	29.21	1563	332	+11 E	1	20	1	10
3274 70	6	21.23	1563	77	-38 E	26	110	2	1450	3314 70	6	29.21	1563	332	+ 6 E	3	60	1	40
3275 70	6	21.23	1563	77	-84 E	1	30	1	20	3315 70	6	29.21	1563	332	-28 E	11	70	3	430
3276 70	6	21.23	1563	257	-81 W	10	45	2	240	3316 70	6	29.21	1563	332	-60 E	4	40	2	10
3277 70	6	21.23	1563	257	-49 W	6	20	2	70	3317 70	6	29.21	1563	152	-71 W	2	15	1	15
3278 70	6	21.23	1563	257	-38 W	9	40	2	220	3318 70	6	29.21	1563	152	+26 W	7	20	2	60
3279 70	6	21.23	1563	257	+28 W	29	70	2	780	3319 70	6	29.21	1563	152	-17 W	6	30	2	10
3280 70	6	21.23	1563	257	+67 W	6	40	2	170	3320 70	6	29.21	1563	152	- 7 W	6	30	2	60
3281 70	6	22.19	1563	64	+87 E	1	10	1	10	3321 70	6	29.21	1563	152	+ 2 W	2	30	2	40
3282 70	6	22.19	1563	64	+54 E	3	40	1	70	3322 70	6	29.21	1563	152	+10 W	2	60	2	40
3283 70	6	22.19	1563	64	+48 E	2	30	1	30	3323 70	6	29.21	1563	152	+20 W	7	40	1	50
3284 70	6	22.19	1563	64	+33 E	8	45	2	240	3324 70	6	29.21	1563	152	+71 W	7	50	2	310
3285 70	6	22.19	1563	64	+10 E	33	55	2	780	3325 70	7	2.16	1563	293	+32 E	1	90	2	145
3286 70	6	22.19	1563	64	-32 E	14	150	2	570	3326 70	7	2.16	1563	293	+16 E	8	15	2	85
3287 70	6	22.19	1563	64	-48 E	6	50	2	140	3327 70	7	2.16	1563	293	-39 E	4	20	2	45
3288 70	6	22.19	1563	64	-70 E	3	10	1	20	3328 70	7	2.16	1563	293	-83 E	2	15	1	20
3289 70	6	22.19	1563	64	-82 E	4	40	1	100	3329 70	7	2.16	1563	113	-69 W	3	30	2	40
3290 70	6	22.19	1563	64	-88 E	2	25	1	20	3330 70	7	2.16	1563	113	-36 W	2	15	3	20
3291 70	6	22.19	1563	244	-82 W	10	50	2	330	3331 70	7	2.16	1563	113	- 4 W	1	20	2	10
3292 70	6	22.19	1563	244	-50 W	3	40	2	90	3332 70	7	2.16	1563	113	+ 7 W	1	50	1	25
3293 70	6	22.19	1563	244	-37 W	8	90	2	430	3333 70	7	2.16	1563	113	+58 W	7	20	2	90
3294 70	6	22.19	1563	244	+ 4 W	3	15	1	20	3334 70	7	7.17	1563	227	+42 E	2	15	2	20
3295 70	6	22.19	1563	244	+16 W	14	100	2	230	3335 70	7	7.17	1563	227	+21 E	5	20	2	55
3296 70	6	22.19	1563	244	+33 W	6	20	2	50	3336 70	7	7.17	1563	227	+11 E	1	40	2	65
3297 70	6	22.19	1563	244	+47 W	13	60	2	210	3337 70	7	7.17	1563	227	-23 E	1	10	2	10
3298 70	6	22.19	1563	244	+67 W	7	20	2	50	3338 70	7	7.17	1563	227	-42 E	1	10	2	10
3299 70	6	28.22	1563	345	+33 E	11	520	1	55	3339 70	7	7.17	1563	227	-57 E	3	20	2	25
3300 70	6	28.22	1563	345	+ 2 E	13	90	1	310	3340 70	7	7.17	1563	47	-79 W	2	50	1	85
3301 70	6	28.22	1563	345	- 9 E	3	20	1	20	3341 70	7	7.17	1563	47	-68 W	5	30	1	55
3302 70	6	28.22	1563	345	-27 E	11	30	1	220	3342 70	7	7.17	1563	47	-32 W	23	50	2	890
3303 70	6	28.22	1563	345	-62 E	5	60	2	180	3343 70	7	7.17	1563	47	- 3 W	6	40	1	55
3304 70	6	28.22	1563	165	-44 W	9	40	1	60	3344 70	7	7.17	1563	47	+ 5 W	4	20	1	40
3305 70	6	28.22	1563	165	-18 W	7	20	2	80	3345 70	7	7.17	1563	47	+22 W	23	90	3	420
3306 70	6	28.22	1563	165	- 6 W	5	30	1	45	3346 70	7	7.17	1563	47	+47 W	2	20	3	30
3307 70	6	28.22	1563	165	+17 W	2	40	1	50	3347 70	7	7.17	1563	47	+73 W	7	50	1	70
3308 70	6	28.22	1563	165	+31 W	8	20	1	60	3348 70	7	8.18	1563	213	+43 E	2	20	2	25
3309 70	6	28.22	1563	165	+54 W	2	20	1	30	3349 70	7	8.18	1563	213	+25 E	2	10	2	20
3310 70	6	28.22	1563	165	+71 W	7	50	3	190	3350 70	7	8.18	1563	213	+12 E	5	15	2	70

TABLE 1 CONTINUED

3351 70	7	8.18	1563	213	+ 3 E	1	20	1	20	1	20	3391 70	7	10.21	1563	7	- 5 W	3	90	1	40	
3352 70	7	8.18	1563	213	-11 E	1	10	1	10	1	10	3392 70	7	10.21	1563	7	+11 W	1	10	2	10	
3353 70	7	8.18	1563	213	-20 E	6	25	2	30	2	30	3393 70	7	10.21	1563	7	+20 W	1	15	2	10	
3354 70	7	8.18	1563	213	-42 E	3	30	3	45	3	45	3394 70	7	10.21	1563	7	+34 W	1	20	2	15	
3355 70	7	8.18	1563	213	-57 E	1	30	3	20	3	20	3395 70	7	10.21	1563	7	+39 W	2	10	2	20	
3356 70	7	8.18	1563	213	-89 E	1	100	2	85	1	100	3396 70	7	10.21	1563	7	+73 W	4	90	3	200	
3357 70	7	8.18	1563	33	-75 W	1	30	2	30	1	30	3397 70	7	13.18	1563	147	+11 E	1	80	1	25	
3358 70	7	8.18	1563	33	-43 W	15	60	2	350	15	60	3398 70	7	13.18	1563	147	- 3 E	8	10	2	40	
3359 70	7	8.18	1563	33	+26 W	2	60	1	40	2	60	3399 70	7	13.18	1563	147	-34 E	13	30	3	260	
3360 70	7	8.18	1563	33	+38 W	4	30	2	35	4	30	3400 70	7	13.18	1563	147	-77 E	3	40	2	55	
3361 70	7	8.18	1563	33	+71 W	8	50	2	95	8	50	3401 70	7	13.18	1563	327	-89 W	3	35	2	60	
3362 70	7	9.20	1563	200	+44 E	2	20	2	30	2	20	3402 70	7	13.18	1563	327	-71 W	1	30	1	30	
3363 70	7	9.20	1563	200	+24 E	1	10	2	10	1	10	3403 70	7	13.18	1563	327	-49 W	1	50	1	30	
3364 70	7	9.20	1563	200	+ 9 E	4	20	2	65	4	20	3404 70	7	13.18	1563	327	-37 W	6	20	2	40	
3365 70	7	9.20	1563	200	-23 E	1	20	2	15	1	20	3405 70	7	13.18	1563	327	-22 W	5	30	2	60	
3366 70	7	9.20	1563	200	-44 E	2	30	3	35	2	30	3406 70	7	13.18	1563	327	-11 W	1	20	1	10	
3367 70	7	9.20	1563	200	-58 E	4	45	3	95	4	45	3407 70	7	13.18	1563	327	- 7 W	3	20	2	25	
3368 70	7	9.20	1563	200	-80 E	2	20	1	35	2	20	3408 70	7	13.18	1563	327	+39 W	3	10	1	15	
3369 70	7	9.20	1563	200	-89 E	1	5	20	1	20	5	20	3409 70	7	13.18	1563	327	+71 W	3	30	1	30
3370 70	7	9.20	1563	20	-67 W	3	30	2	25	3	30	3410 70	7	14.18	1563	134	+58 E	4	40	2	50	
3371 70	7	9.20	1563	20	-43 W	1	40	1	20	1	40	3411 70	7	14.18	1563	134	+23 E	6	20	3	70	
3372 70	7	9.20	1563	20	-19 W	1	30	2	25	1	30	3412 70	7	14.18	1563	134	+13 E	2	20	2	25	
3373 70	7	9.20	1563	20	- 6 W	5	10	2	45	5	10	3413 70	7	14.18	1563	134	- 2 E	7	20	3	85	
3374 70	7	9.20	1563	20	+ 3 W	2	80	1	70	2	80	3414 70	7	14.18	1563	134	-13 E	2	20	2	20	
3375 70	7	9.20	1563	20	+24 W	1	30	1	35	1	30	3415 70	7	14.18	1563	134	-33 E	16	50	3	370	
3376 70	7	9.20	1563	20	+38 W	7	20	2	85	7	20	3416 70	7	14.18	1563	134	-72 E	3	40	1	45	
3377 70	7	9.20	1563	20	+74 W	3	70	2	90	3	70	3417 70	7	14.18	1563	314	-89 W	8	50	1	55	
3378 70	7	10.21	1563	187	+61 E	1	30	2	25	1	30	3418 70	7	14.18	1563	314	-74 W	2	50	1	45	
3379 70	7	10.21	1563	187	+44 E	2	10	2	20	2	10	3419 70	7	14.18	1563	314	-49 W	1	10	2	10	
3380 70	7	10.21	1563	187	+ 8 E	5	30	3	60	5	30	3420 70	7	14.18	1563	314	-44 W	1	10	2	10	
3381 70	7	10.21	1563	187	-19 E	2	20	2	25	2	20	3421 70	7	14.18	1563	314	-38 W	10	50	3	220	
3382 70	7	10.21	1563	187	-36 E	1	20	2	15	1	20	3422 70	7	14.18	1563	314	-27 W	4	30	2	35	
3383 70	7	10.21	1563	187	-46 E	1	30	2	25	1	30	3423 70	7	14.18	1563	314	-13 W	6	50	3	80	
3384 70	7	10.21	1563	187	-52 E	1	20	2	15	1	20	3424 70	7	14.18	1563	314	+ 7 W	2	170	1	50	
3385 70	7	10.21	1563	187	-57 E	1	20	2	20	1	20	3425 70	7	14.18	1563	314	+14 W	4	40	1	35	
3386 70	7	10.21	1563	187	-61 E	2	50	2	50	2	50	3426 70	7	14.18	1563	314	+38 W	7	30	2	130	
3387 70	7	10.21	1563	187	-80 E	7	35	1	80	7	35	3427 70	7	14.18	1563	314	+68 W	1	20	2	20	
3388 70	7	10.21	1563	7	-67 W	2	30	2	40	2	30	3428 70	7	14.18	1563	314	+76 W	9	40	1	75	
3389 70	7	10.21	1563	7	-39 W	1	10	2	15	1	10	3429 70	7	21.30	1564	40	+86 E	4	25	1	40	
3390 70	7	10.21	1563	7	-21 W	6	30	1	40	6	30	3430 70	7	21.30	1564	40	+69 E	5	45	1	60	

TABLE 1 CONTINUED

TABLE 1 CONTINUED

TABLE 1 CONTINUED

3431 70	7	21.30	1564	40	+39 E	3	50	3	70	3471 70	7	28.56	1564	304	-34 E	4	50	3	90
3432 70	7	21.30	1564	40	+15 E	5	70	1	100	3472 70	7	28.56	1564	304	-76 E	2	40	3	60
3433 70	7	21.30	1564	40	-22 E	6	30	2	90	3473 70	7	28.56	1564	124	-36 W	18	80	3	730
3434 70	7	21.30	1564	40	-34 E	2	40	2	40	3474 70	7	28.56	1564	124	+6 W	5	10	3	50
3435 70	7	21.30	1564	40	-49 E	3	45	3	100	3475 70	7	28.56	1564	124	+33 W	1	10	2	10
3436 70	7	21.30	1564	40	-74 E	4	20	2	50	3476 70	7	28.56	1564	124	-70 J	2	10	2	20
3437 70	7	21.30	1564	220	-39 W	9	60	3	270	3477 70	7	29.20	1564	296	+71 E	2	40	1	50
3438 70	7	21.30	1564	220	-20 W	1	20	2	25	3478 70	7	29.20	1564	296	+35 E	9	50	3	180
3439 70	7	21.30	1564	220	-15 W	3	20	2	40	3479 70	7	29.20	1564	296	+25 E	4	30	2	45
3440 70	7	21.30	1564	220	+39 W	12	50	2	180	3480 70	7	29.20	1564	296	-11 E	4	20	2	10
3441 70	7	21.30	1564	220	+70 W	9	30	2	150	3481 70	7	29.20	1564	296	-17 E	7	15	2	90
3442 70	7	23.33	1564	13	+36 E	9	60	3	200	3482 70	7	29.20	1564	296	-37 E	4	50	3	80
3443 70	7	23.33	1564	13	+3 E	9	65	2	80	3483 70	7	29.20	1564	296	-55 E	6	35	2	120
3444 70	7	23.33	1564	13	-22 E	4	35	3	120	3484 70	7	29.20	1564	296	-87 E	1	41	1	20
3445 70	7	23.33	1564	13	-50 E	10	30	3	170	3485 70	7	29.20	1564	116	-80 W	11	20	2	90
3446 70	7	23.33	1564	13	-75 E	3	30	2	70	3486 70	7	29.20	1564	116	-36 W	14	65	3	390
3447 70	7	23.33	1564	193	-56 W	2	20	3	35	3487 70	7	29.20	1564	116	-15 W	2	40	1	20
3448 70	7	23.33	1564	193	-42 W	2	20	2	30	3488 70	7	29.20	1564	116	+5 W	8	25	1	100
3449 70	7	23.33	1564	193	-24 W	3	50	2	100	3489 70	7	29.20	1564	116	+15 W	1	30	1	30
3450 70	7	23.33	1564	193	-2 W	10	50	1	90	3490 70	7	29.20	1564	116	+66 W	4	20	3	55
3451 70	7	23.33	1564	193	+18 W	13	50	2	100	3491 70	7	30.20	1564	283	+70 E	4	70	1	110
3452 70	7	23.33	1564	193	+45 W	2	30	3	50	3492 70	7	30.20	1564	283	+62 E	2	10	1	15
3453 70	7	23.33	1564	193	+76 W	8	30	2	60	3493 70	7	30.20	1564	283	+31 E	14	80	1	200
3454 70	7	25.23	1564	348	+84 E	6	30	2	70	3494 70	7	30.20	1564	283	+19 E	4	20	1	40
3455 70	7	25.23	1564	348	+73 E	2	70	3	80	3495 70	7	30.20	1564	283	+1 E	2	20	2	40
3456 70	7	25.23	1564	348	+22 E	16	35	3	320	3496 70	7	30.20	1564	283	-11 E	7	30	2	120
3457 70	7	25.23	1564	348	+1 E	13	70	1	75	3497 70	7	30.20	1564	283	-21 E	2	30	2	40
3458 70	7	25.23	1564	348	-15 E	5	40	1	50	3498 70	7	30.20	1564	283	-40 E	2	25	2	35
3459 70	7	25.23	1564	348	-25 E	2	10	1	20	3499 70	7	30.20	1564	283	-54 E	6	35	1	60
3460 70	7	25.23	1564	348	-74 E	1	30	1	25	3500 70	7	30.20	1564	283	-81 E	2	15	2	30
3461 70	7	25.23	1564	168	-73 W	8	40	1	45	3501 70	7	30.20	1564	103	-77 W	11	50	2	190
3462 70	7	25.23	1564	168	-95 W	1	10	1	10	3502 70	7	30.20	1564	103	-39 W	5	50	3	170
3463 70	7	25.23	1564	168	-52 W	4	15	1	30	3503 70	7	30.20	1564	103	+3	4	8	1	120
3464 70	7	25.23	1564	168	-20 W	10	30	1	100	3504 70	7	30.20	1564	103	+16 W	5	15	3	55
3465 70	7	25.23	1564	168	-10 W	2	15	1	15	3505 70	7	30.20	1564	103	+55 W	3	30	1	60
3466 70	7	25.23	1564	168	+49 W	3	20	2	35	3506 70	7	30.20	1564	103	+71 W	2	10	1	20
3467 70	7	25.23	1564	168	+67 W	6	20	2	80	3507 70	8	2.22	1564	243	+70 W	7	80	3	310
3468 70	7	28.56	1564	304	+72 E	4	40	2	120	3508 70	8	2.22	1564	243	+43 E	9	50	3	230
3469 70	7	28.56	1564	304	+37 E	7	60	3	260	3509 70	8	2.22	1564	243	+15 E	7	30	3	150
3470 70	7	28.56	1564	304	-16 E	2	15	3	15	3510 70	8	2.22	1564	243	-49 E	11	50	1	60

TABLE 1 CONTINUED

TABLE 1 CONTINUED

3511 70	8	2.22	1564	243	-84 E	4	25	2	40	3551 70	8	6.20	1564	190	+66 E	2	20	1	25
3512 70	8	2.22	1564	63	-86 W	1	10	1	15	3552 70	8	6.20	1564	190	+11 E	12	80	1	90
3513 70	8	2.22	1564	63	-74 W	6	40	1	50	3553 70	8	6.20	1564	190	-1 E	1	30	1	20
3514 70	8	2.22	1564	63	-50 W	8	30	2	145	3554 70	8	6.20	1564	190	-19 E	2	30	1	25
3515 70	8	2.22	1564	63	-17 W	8	30	1	40	3555 70	8	6.20	1564	190	-31 E	2	20	2	30
3516 70	8	2.22	1564	63	+11 W	13	50	3	350	3556 70	8	6.20	1564	190	-43 E	2	10	2	20
3517 70	8	2.22	1564	63	+60 W	7	40	1	70	3557 70	8	6.20	1564	10	-86 W	6	30	2	120
3518 70	8	3.22	1564	230	+94 E	1	20	1	15	3558 70	8	6.20	1564	10	-80 W	2	15	1	20
3519 70	8	3.22	1564	230	+73 E	1	20	1	20	3559 70	8	6.20	1564	10	-73 W	3	20	1	25
3520 70	8	3.22	1564	230	+68 E	4	50	3	100	3560 70	8	6.20	1564	10	-19 W	3	30	3	50
3521 70	8	3.22	1564	230	+40 E	6	50	2	130	3561 70	8	6.20	1564	10	-25 W	30	80	2	450
3522 70	8	3.22	1564	230	-7 E	7	20	1	35	3562 70	8	6.20	1564	10	-53 W	6	20	2	50
3523 70	8	3.22	1564	230	-20 E	1	20	1	20	3563 70	8	9.34	1564	149	+63 E	1	10	2	10
3524 70	8	3.22	1564	230	-45 E	10	110	1	80	3564 70	8	9.34	1564	149	+48 E	2	30	3	45
3525 70	8	3.22	1564	230	-90 E	2	30	1	35	3565 70	8	9.34	1564	149	-37 E	3	20	1	40
3526 70	8	3.22	1564	50	-75 W	1	30	1	20	3566 70	8	9.34	1564	149	-86 E	2	40	1	50
3527 70	8	3.22	1564	50	-48 W	11	50	3	195	3567 70	8	9.34	1564	329	-83 W	14	85	2	260
3528 70	8	3.22	1564	50	-14 W	1	15	2	15	3568 70	8	9.34	1564	329	-45 W	5	30	2	110
3529 70	8	3.22	1564	50	+21 W	20	50	3	250	3569 70	8	9.34	1564	329	-32 W	2	10	2	20
3530 70	8	3.22	1564	50	+61 W	2	10	2	20	3570 70	8	9.34	1564	329	-25 W	5	20	3	75
3531 70	8	3.22	1564	50	+66 W	1	20	1	15	3571 70	8	9.34	1564	329	-9 W	6	20	1	35
3532 70	8	3.22	1564	50	+69 W	1	10	1	10	3572 70	8	9.34	1564	329	+73 W	1	10	1	10
3533 70	8	5.21	1564	203	+66 E	3	10	2	30	3573 70	8	14.21	1565	85	+67 E	1	10	1	10
3534 70	8	5.21	1564	203	+42 E	1	40	2	25	3574 70	8	14.21	1565	85	+11 E	4	30	3	85
3535 70	8	5.21	1564	203	+17 E	10	50	1	65	3575 70	8	14.21	1565	85	-11 E	9	60	3	100
3536 70	8	5.21	1564	203	+6 E	1	10	1	10	3576 70	8	14.21	1565	85	-49 E	10	130	3	570
3537 70	8	5.21	1564	203	+1 E	1	15	1	15	3577 70	8	14.21	1565	265	-79 W	1	10	1	15
3538 70	8	5.21	1564	203	-2 E	2	10	1	15	3578 70	8	14.21	1565	265	-48 W	1	20	1	10
3539 70	8	5.21	1564	203	-20 E	1	45	2	55	3579 70	8	14.21	1565	265	-17 W	5	30	3	95
3540 70	8	5.21	1564	203	-31 E	3	40	3	105	3580 70	8	14.21	1565	265	+2 W	1	30	1	20
3541 70	8	5.21	1564	203	-45 E	1	10	2	10	3581 70	8	14.21	1565	265	+37 W	14	30	2	80
3542 70	8	5.21	1564	203	-54 E	1	10	2	10	3582 70	8	14.21	1565	265	+74 W	3	60	2	70
3543 70	8	5.21	1564	23	-87 W	6	20	3	75	3583 70	8	15.23	1565	71	+10 E	22	60	3	550
3544 70	8	5.21	1564	23	-71 W	1	20	1	15	3584 70	8	15.23	1565	71	-16 E	3	115	2	100
3545 70	8	5.21	1564	23	-19 W	5	35	3	90	3585 70	8	15.23	1565	251	-14 W	5	15	3	40
3546 70	8	5.21	1564	23	+9 W	1	50	1	35	3586 70	8	15.23	1565	251	+16 W	13	140	2	190
3547 70	8	5.21	1564	23	+13 W	2	20	3	30	3587 70	8	15.23	1565	251	+74 W	6	50	2	80
3548 70	8	5.21	1564	23	+23 W	6	30	1	45	3588 70	8	19.38	1565	16	+75 E	4	30	1	75
3549 70	8	5.21	1564	23	+62 W	1	20	2	20	3589 70	8	19.38	1565	16	+54 E	10	65	2	210
3550 70	8	6.20	1564	190	+85 E	1	10	1	10	3590 70	8	19.38	1565	16	+22 E	2	10	2	15

TABLE 1 CONTINUED

TABLE 1 CONTINUED

3591 70	8	19.38	1565	16	-26 E	1	10	2	10	3631 70	8	21.20	1565	172	+19 W	3	60	2	35
3592 70	8	19.38	1565	16	-58 E	10	40	2	215	3632 70	8	21.20	1565	172	+53 W	5	50	3	120
3593 70	8	19.38	1565	196	-40 W	2	20	2	20	3633 70	8	21.20	1565	172	+82 W	8	30	2	60
3594 70	8	19.38	1565	196	-26 W	14	70	1	310	3634 70	8	28.25	1565	259	+72 E	22	65	2	225
3595 70	8	19.38	1565	196	-8 W	3	30	1	25	3635 70	8	28.25	1565	259	+30 E	20	230	1	420
3596 70	8	19.38	1565	196	+9 W	4	45	2	45	3636 70	8	28.25	1565	259	+1 E	7	30	2	60
3597 70	8	19.38	1565	196	+36 W	19	70	2	335	3637 70	8	28.25	1565	259	-6 E	2	30	2	35
3598 70	8	19.38	1565	196	+50 W	5	50	2	125	3638 70	8	28.25	1565	259	-30 E	15	40	2	230
3599 70	8	19.38	1565	196	+78 W	14	60	1	110	3639 70	8	28.25	1565	259	-80 E	11	40	1	90
3600 70	8	20.21	1565	5	+85 E	2	20	2	30	3640 70	8	28.25	1565	79	-38 W	8	30	2	85
3601 70	8	20.21	1565	5	+75 E	6	40	1	40	3641 70	8	28.25	1565	79	-11 W	1	10	2	10
3602 70	8	20.21	1565	5	+65 E	2	50	2	40	3642 70	8	28.25	1565	79	-13 W	7	25	2	80
3603 70	8	20.21	1565	5	+51 E	5	30	2	90	3643 70	8	28.25	1565	79	+20 W	2	20	1	25
3604 70	8	20.21	1565	5	+21 E	3	10	2	25	3644 70	8	28.25	1565	79	+56 W	6	30	3	85
3605 70	8	20.21	1565	5	-56 E	10	25	2	175	3645 70	8	29.24	1565	246	+85 E	4	30	1	45
3606 70	8	20.21	1565	185	-36 W	6	20	2	45	3646 70	8	29.24	1565	246	+71 E	3	90	2	105
3607 70	8	20.21	1565	185	-30 W	1	35	1	20	3647 70	8	29.24	1565	246	+34 E	6	25	3	70
3608 70	8	20.21	1565	185	-27 W	3	30	1	20	3648 70	8	29.24	1565	246	+22 E	5	60	3	110
3609 70	8	20.21	1565	185	-9 W	14	50	2	130	3649 70	8	29.24	1565	246	+17 E	6	30	1	30
3610 70	8	20.21	1565	185	+5 W	3	30	1	20	3650 70	8	29.24	1565	246	+2 E	11	70	1	160
3611 70	8	20.21	1565	185	+11 W	2	20	1	45	3651 70	8	29.24	1565	246	-23 E	3	10	2	30
3612 70	8	20.21	1565	185	+19 W	14	65	2	115	3652 70	8	29.24	1565	246	-37 E	2	30	2	40
3613 70	8	20.21	1565	185	+51 W	7	40	2	110	3653 70	8	29.24	1565	246	-45 E	2	10	2	15
3614 70	8	20.21	1565	185	+80 W	6	40	1	55	3654 70	8	29.24	1565	246	-82 E	5	60	1	150
3615 70	8	21.20	1565	352	+80 E	1	30	1	20	3655 70	8	29.24	1565	66	-80 W	5	35	1	40
3616 70	8	21.20	1565	352	+70 E	6	40	2	35	3656 70	8	29.24	1565	66	-58 W	2	20	2	15
3617 70	8	21.20	1565	352	+65 E	1	50	2	50	3657 70	8	29.24	1565	66	-14 W	10	50	3	210
3618 70	8	21.20	1565	352	+59 E	2	15	1	10	3658 70	8	29.24	1565	66	+16 W	10	45	2	310
3619 70	8	21.20	1565	352	+49 E	3	50	2	120	3659 70	8	29.24	1565	66	+28 W	9	40	1	75
3620 70	8	21.20	1565	352	+35 E	3	10	2	15	3660 70	8	29.24	1565	66	+56 W	7	30	2	105
3621 70	8	21.20	1565	352	+24 E	5	20	1	25	3661 70	9	1.43	1565	204	+42 E	6	51	3	130
3622 70	8	21.20	1565	352	+14 E	1	15	1	10	3662 70	9	1.43	1565	204	+24 E	13	65	2	160
3623 70	8	21.20	1565	352	+8 E	1	10	1	5	3663 70	9	1.43	1565	204	+13 E	4	40	1	80
3624 70	8	21.20	1565	352	-22 E	8	40	3	230	3664 70	9	1.43	1565	204	+3 E	4	41	3	130
3625 70	8	21.20	1565	352	-87 E	1	10	1	10	3665 70	9	1.43	1565	204	-22 E	11	32	3	260
3626 70	8	21.20	1565	172	-42 W	8	55	1	45	3666 70	9	1.43	1565	24	-52 W	5	32	3	110
3627 70	8	21.20	1565	172	-12 W	2	30	2	25	3667 70	9	1.43	1565	24	-36 W	9	116	2	500
3628 70	8	21.20	1565	172	-6 W	3	30	1	30	3668 70	9	1.43	1565	24	+23 W	4	21	2	60
3629 70	8	21.20	1565	172	+1 W	4	20	2	25	3669 70	9	1.43	1565	24	+58 W	3	29	2	57
3630 70	8	21.20	1565	172	+9 W	6	50	2	50	3670 70	9	1.43	1565	24	+78 W	7	68	2	180

TABLE 1 CONTINUED

TABLE 1 CONTINUED

3671 70	9	7.54	1565	124	+70 E	2	20	3	38	3711 70	9	11.29	1566	74	-11 E	3	31	1	34
3672 70	9	7.54	1565	124	+47 E	2	52	2	50	3712 70	9	11.29	1566	74	-16 E	1	30	1	28
3673 70	9	7.54	1565	124	-36 E	1	41	2	40	3713 70	9	11.29	1566	74	-21 E	2	16	2	30
3674 70	9	7.54	1565	124	-57 E	3	50	1	60	3714 70	9	11.29	1566	74	-56 E	17	53	1	180
3675 70	9	7.54	1565	304	-44 W	3	21	2	60	3715 70	9	11.29	1566	74	-72 E	1	20	1	10
3676 70	9	7.54	1565	304	-13 W	18	111	3	650	3716 70	9	11.29	1566	74	-85 E	1	25	1	20
3677 70	9	7.54	1565	304	+19 W	4	100	3	170	3717 70	9	11.29	1566	254	-85 E	2	42	2	44
3678 70	9	7.54	1565	304	+45 W	11	71	2	360	3718 70	9	11.29	1566	254	+30 W	11	141	2	230
3679 70	9	7.54	1565	304	+59 W	3	40	1	56	3719 70	9	11.29	1566	254	+69 W	2	18	3	33
3680 70	9	7.54	1565	304	+78 W	6	18	2	90	3720 70	9	14.30	1566	34	+65 E	1	32	1	29
3681 70	9	8.23	1565	114	+73 E	4	19	1	45	3721 70	9	14.30	1566	34	+58 E	1	50	1	32
3682 70	9	8.23	1565	114	+67 E	4	30	2	86	3722 70	9	14.30	1566	34	+46 E	2	30	1	46
3683 70	9	8.23	1565	114	+50 E	2	25	1	28	3723 70	9	14.30	1566	34	-9 E	4	41	1	60
3684 70	9	8.23	1565	114	+18 E	9	32	2	102	3724 70	9	14.30	1566	34	-29 E	3	50	2	56
3685 70	9	8.23	1565	114	0 E	3	32	1	30	3725 70	9	14.30	1566	34	-55 F	5	30	3	112
3686 70	9	8.23	1565	114	-16 E	15	41	2	232	3726 70	9	14.30	1566	214	-89 W	6	56	1	120
3687 70	9	8.23	1565	114	-36 E	4	40	1	45	3727 70	9	14.30	1566	214	-3 W	3	40	1	34
3688 70	9	8.23	1565	114	-62 E	2	35	1	40	3728 70	9	14.30	1566	214	+12 W	13	40	3	350
3689 70	9	8.23	1565	294	-41 W	4	45	3	130	3729 70	9	14.30	1566	214	+43 W	5	50	3	135
3690 70	9	8.23	1565	294	-15 W	6	44	3	190	3730 70	9	14.30	1566	214	+72 W	5	52	2	182
3691 70	9	8.23	1565	294	-8 W	2	27	1	28	3731 70	9	15.30	1566	21	+45 E	2	31	3	57
3692 70	9	8.23	1565	294	+1 W	1	20	1	20	3732 70	9	15.30	1566	21	+22 E	6	44	1	65
3693 70	9	8.23	1565	294	+4 W	2	31	1	44	3733 70	9	15.30	1566	21	-7 E	2	20	3	39
3694 70	9	8.23	1565	294	+30 W	20	41	3	560	3734 70	9	15.30	1566	21	-37 E	2	19	3	30
3695 70	9	8.23	1565	294	+45 W	5	59	3	230	3735 70	9	15.30	1566	21	-52 E	2	20	1	16
3696 70	9	8.23	1565	294	+65 W	7	50	1	108	3736 70	9	15.30	1566	201	-38 W	6	18	2	65
3697 70	9	8.23	1565	294	+80 W	3	26	1	40	3737 70	9	15.30	1566	201	-27 W	2	42	1	26
3698 70	9	9.40	1565	99	+51 E	2	21	2	30	3738 70	9	15.30	1566	201	+18 W	8	26	3	120
3699 70	9	9.40	1565	99	+22 E	8	40	2	192	3739 70	9	15.30	1566	201	+46 W	3	36	3	198
3700 70	9	9.40	1565	99	-8 E	1	20	1	20	3740 70	9	15.30	1566	201	+73 W	8	50	3	195
3701 70	9	9.40	1565	99	-19 E	3	40	2	56	3741 70	9	16.25	1566	9	+79 E	2	50	2	50
3702 70	9	9.40	1565	99	-42 E	9	30	2	118	3742 70	9	16.25	1566	9	+41 E	3	20	2	30
3703 70	9	9.40	1565	99	-57 E	3	71	1	55	3743 70	9	16.25	1566	9	+29 E	1	10	1	10
3704 70	9	9.40	1565	99	-87 E	1	40	1	20	3744 70	9	16.25	1566	9	+3 E	3	30	2	40
3705 70	9	9.40	1565	279	-34 W	16	56	3	500	3745 70	9	16.25	1566	9	-7 E	3	10	1	20
3706 70	9	9.40	1565	279	+5 W	5	12	2	52	3746 70	9	16.25	1566	9	-45 E	8	30	3	110
3707 70	9	9.40	1565	279	+12 W	2	62	1	47	3747 70	9	16.25	1566	9	-59 E	9	30	2	130
3708 70	9	9.40	1565	279	+32 W	16	35	3	470	3748 70	9	16.25	1566	189	-29 W	2	20	2	20
3709 70	9	9.40	1565	279	+47 W	3	35	2	92	3749 70	9	16.25	1566	189	-51 W	1	15	2	15
3710 70	9	11.29	1566	74	+11 E	10	55	3	370	3750 70	9	16.25	1566	189	-31 W	11	60	3	340

TABLE 1 CONTINUED

3751 70	9	16.25	1566	189	- 5 W	33	30	2	150	3791 70	9	21.26	1566	122	+73 W	11	30	1	110
3752 70	9	16.25	1566	189	+21 W	9	90	3	280	3792 70	9	21.26	1566	122	+85 W	2	30	2	40
3753 70	9	16.25	1566	189	+49 W	5	30	2	90	3793 70	9	28.27	1566	210	+67 E	7	30	2	70
3754 70	9	16.25	1566	189	+78 W	5	40	2	90	3794 70	9	28.27	1566	210	+37 E	4	25	2	40
3755 70	9	18.27	1566	342	+20 E	2	30	3	50	3795 70	9	28.27	1566	210	+ 2 E	14	25	2	185
3756 70	9	18.27	1566	342	- 4 E	3	10	1	20	3796 70	9	28.27	1566	210	-26 E	12	60	2	310
3757 70	9	18.27	1566	342	-13 E	1	5	1	5	3797 70	9	28.27	1566	210	-78 E	7	35	1	110
3758 70	9	18.27	1566	342	-26 E	9	40	3	270	3798 70	9	28.27	1566	30	-45 W	1	35	1	35
3759 70	9	18.27	1566	342	-54 E	5	35	2	90	3799 70	9	28.27	1566	30	-26 W	4	30	1	80
3760 70	9	18.27	1566	342	-87 E	2	10	1	20	3800 70	9	28.27	1566	30	- 4 W	4	50	1	150
3761 70	9	18.27	1566	162	-71 W	16	50	2	460	3801 70	9	28.27	1566	30	+26 W	4	30	1	70
3762 70	9	18.27	1566	162	-47 W	1	10	1	10	3802 70	9	28.27	1566	30	+61 W	70	20	2	70
3763 70	9	18.27	1566	162	-12 W	5	30	1	40	3803 70	9	29.26	1566	197	+67 E	5	50	2	110
3764 70	9	18.27	1566	162	- 5 W	23	70	1	210	3804 70	9	29.26	1566	197	+37 E	4	50	2	90
3765 70	9	18.27	1566	162	+22 W	3	10	1	20	3805 70	9	29.26	1566	197	+18 E	2	10	2	20
3766 70	9	18.27	1566	162	+41 W	1	5	1	5	3806 70	9	29.26	1566	197	- 9 E	7	25	1	40
3767 70	9	18.27	1566	162	+44 W	1	5	1	5	3807 70	9	29.26	1566	197	-25 E	4	10	2	40
3768 70	9	18.27	1566	162	+51 W	2	10	1	20	3808 70	9	29.26	1566	197	-37 E	1	10	1	10
3769 70	9	18.27	1566	162	+65 W	2	10	1	20	3809 70	9	29.26	1566	197	-82 E	2	20	2	25
3770 70	9	18.27	1566	162	+73 W	5	40	2	120	3810 70	9	29.26	1566	17	-84 W	1	50	2	50
3771 70	9	18.27	1566	162	+83 W	3	30	2	40	3811 70	9	29.26	1566	17	-40 W	1	10	1	10
3772 70	9	21.26	1566	302	+88 E	4	30	2	71	3812 70	9	29.26	1566	17	-33 W	1	10	1	15
3773 70	9	21.26	1566	302	+40 E	1	40	1	35	3813 70	9	29.26	1566	17	-12 W	15	20	1	80
3774 70	9	21.26	1566	302	+36 E	2	30	2	50	3814 70	9	29.26	1566	17	+ 1 W	3	10	1	30
3775 70	9	21.26	1566	302	+10 E	7	40	3	20	3815 70	9	29.26	1566	17	+13 W	1	10	1	10
3776 70	9	21.26	1566	302	+ 6 E	2	10	1	20	3816 70	9	29.26	1566	17	+26 W	14	50	1	100
3777 70	9	21.26	1566	302	+ 1 E	3	10	1	15	3817 70	9	29.26	1566	17	+48 W	18	50	2	320
3778 70	9	21.26	1566	302	-33 E	6	50	2	120	3818 70	9	29.26	1566	17	+65 W	3	20	1	20
3779 70	9	21.26	1566	302	-41 E	4	20	1	40	3819 70	9	29.26	1566	17	+73 W	2	25	1	30
3780 70	9	21.26	1566	302	-48 E	2	20	1	20	3820 70	9	29.26	1566	17	+82 W	1	25	1	20
3781 70	9	21.26	1566	302	-53 E	1	10	1	10	3821 70	9	30.57	1566	180	+74 E	1	10	2	15
3782 70	9	21.26	1566	302	-74 E	8	70 ⁺	2	210	3822 70	9	30.57	1566	180	+64 E	1	25	2	25
3783 70	9	21.26	1566	302	- 8 E	8	110	1	180	3823 70	9	30.57	1566	180	+38 E	10	50	3	140
3784 70	9	21.26	1566	122	-85 W	1	15	1	15	3824 70	9	30.57	1566	180	+ 8 E	10	60	1	105
3785 70	9	21.26	1566	122	-51 W	6	60	2	50	3825 70	9	30.57	1566	180	- 2 E	7	85	1	185
3786 70	9	21.26	1566	122	-42 W	4	40	3	110	3826 70	9	30.57	1566	180	+22 E	12	50	1	155
3787 70	9	21.26	1566	122	-31 W	12	40	3	200	3827 70	9	30.57	1566	180	-43 E	4	40	2	75
3788 70	9	21.26	1566	122	- 1 W	17	60	2	240	3828 70	9	30.57	1566	180	-55 E	7	20	2	80
3789 70	9	21.26	1566	122	+16 W	1	60	2	10	3829 70	9	30.57	1566	180	-84 E	6	45	2	185
3790 70	9	21.26	1566	122	+64 W	1	10	1	10	3830 70	9	30.57	1566	0	-39 W	1	20	2	5

TABLE 1 CONTINUED

3831 70 9	30.57	1566	0	-31 W	1 10	2 10	3871 70 10	8.40	1567	76	-56 E	5 30	1 40
3832 70 9	30.57	1566	0	-10 W	10 70	3 360	3872 70 10	8.40	1567	76	-87 E	2 40	1 30
3833 70 9	30.57	1566	0	+28 W	1 15	2 10	3873 70 10	8.40	1567	256	-89 W	1 20	1 15
3834 70 9	30.57	1566	0	+37 W	2 15	2 15	3874 70 10	8.40	1567	256	-30 W	5 30	3 90
3835 70 9	30.57	1566	0	+50 W	2 20	2 25	3875 70 10	8.40	1567	256	+10 W	3 20	1 35
3836 70 9	30.57	1566	0	+74 W	7 40	2 110	3876 70 10	8.40	1567	256	+17 W	4 40	1 80
3837 70 10	6.46	1566	102	+77 E	1 10	2 15	3877 70 10	8.40	1567	256	+62 W	8 50	2 190
3838 70 10	6.46	1566	102	+61 E	3 20	2 25	3878 70 10	8.40	1567	256	+73 W	6 40	2 140
3839 70 10	6.46	1566	102	+56 E	2 10	2 20	3879 70 10	8.40	1567	256	+88 W	1 20	1 80
3840 70 10	6.46	1566	102	+53 E	1 40	2 40	3880 70 10	9.29	1567	-64	+57 E	12 90	1 360
3841 70 10	6.46	1566	102	+29 E	6 35	2 65	3881 70 10	9.29	1567	64	+24 E	3 45	1 40
3842 70 10	6.46	1566	102	+17 E	7 35	2 200	3882 70 10	9.29	1567	64	+17 E	1 35	1 10
3843 70 10	6.46	1566	102	-3 E	16 45	1 270	3883 70 10	9.29	1567	64	+9 E	1 25	1 15
3844 70 10	6.46	1566	102	-19 E	2 40	1 40	3884 70 10	9.29	1567	64	-6 E	21 60	2 360
3845 70 10	6.46	1566	102	-43 E	11 40	2 170	3885 70 10	9.29	1567	64	-60 E	4 50	2 120
3846 70 10	6.46	1566	282	-33 W	10 30	2 90	3886 70 10	9.29	1567	244	-87 W	9 20	1 60
3847 70 10	6.46	1566	282	-24 W	17 40	2 410	3887 70 10	9.29	1567	244	-31 W	5 30	2 85
3848 70 10	6.46	1566	282	+18 W	1 60	1 30	3888 70 10	9.29	1567	244	-7 W	15 80	2 360
3849 70 10	6.46	1566	282	+21 W	1 20	1 5	3889 70 10	9.29	1567	244	+17 W	29 80	1 235
3850 70 10	6.46	1566	282	+28 W	1 30	1 25	3890 70 10	9.29	1567	244	+53 W	1 10	1 10
3851 70 10	6.46	1566	282	+63 W	25 100	2 680	3891 70 10	9.29	1567	244	+64 W	1 10	1 10
3852 70 10	7.29	1567	91	+80 E	1 10	1 10	3892 70 10	9.29	1567	244	+73 W	6 60	2 225
3853 70 10	7.29	1567	91	+75 E	1 10	1 10	3893 70 10	10.26	1567	52	+68 E	4 30	1 30
3854 70 10	7.29	1567	91	+61 E	6 30	2 100	3894 70 10	10.26	1567	52	+59 E	1 10	2 15
3855 70 10	7.29	1567	91	+51 E	2 15	1 25	3895 70 10	10.26	1567	52	+43 E	1 10	2 10
3856 70 10	7.29	1567	91	-5 E	11 50	1 120	3896 70 10	10.26	1567	52	+27 E	6 30	1 45
3857 70 10	7.29	1567	91	-24 E	7 30	1 60	3897 70 10	10.26	1567	52	+19 E	2 25	2 35
3858 70 10	7.29	1567	91	-44 E	6 30	1 70	3898 70 10	10.26	1567	52	-2 E	4 30	2 60
3859 70 10	7.29	1567	271	-40 W	2 30	2 50	3899 70 10	10.26	1567	52	-10 E	3 40	1 20
3860 70 10	7.29	1567	271	-25 W	11 50	3 330	3900 70 10	10.26	1567	52	-17 E	3 10	2 20
3861 70 10	7.29	1567	271	+10 W	1 70	1 5	3901 70 10	10.26	1567	52	-32 E	14 60	1 70
3862 70 10	7.29	1567	271	+65 W	23 70	2 410	3902 70 10	10.26	1567	52	-62 E	5 30	2 90
3863 70 10	8.40	1567	76	+73 E	2 30	1 60	3903 70 10	10.26	1567	232	-85 W	7 15	2 50
3864 70 10	8.40	1567	76	+68 E	5 40	2 120	3904 70 10	10.26	1567	232	-9 W	35 110	2 1340
3865 70 10	8.40	1567	76	+56 E	7 50	3 20	3905 70 10	10.26	1567	232	+44 W	9 30	1 90
3866 70 10	8.40	1567	76	+23 E	10 50	1 130	3906 70 10	10.26	1567	232	+61 W	1 10	1 10
3867 70 10	8.40	1567	76	+10 E	2 60	1 25	3907 70 10	10.26	1567	232	+70 W	5 80	2 210
3868 70 10	8.40	1567	76	-13 E	23 50	2 470	3908 70 10	11.32	1567	38	+78 E	2 20	2 20
3869 70 10	8.40	1567	76	-44 E	2 10	1 15	3909 70 10	11.32	1567	38	+58 E	4 50	2 120
3870 70 10	8.40	1567	76	-49 E	3 10	1 30	3910 70 10	11.32	1567	38	+30 E	1 45	2 35

TABLE 1 CONTINUED

TABLE 1 CONTINUED

TABLE 1 CONTINUED

3911	70	10	11.32	1567	38	+16	E	1	10	1	10	3951	70	10	13.28	1567	192	-72	W	2	30	2	40
3912	70	10	11.32	1567	38	+7	E	4	15	2	30	3952	70	10	13.28	1567	192	-18	W	18	80	1	160
3913	70	10	11.32	1567	38	-11	E	1	85	1	30	3953	70	10	13.28	1567	192	+5	W	15	40	2	260
3914	70	10	11.32	1567	38	-21	E	1	15	1	10	3954	70	10	13.28	1567	192	+21	W	18	50	1	160
3915	70	10	11.32	1567	38	-25	E	1	10	1	10	3955	70	10	13.28	1567	192	+48	W	5	40	3	210
3916	70	10	11.32	1567	38	-45	E	10	50	2	150	3956	70	10	13.28	1567	192	+75	W	2	40	2	70
3917	70	10	11.32	1567	38	-60	E	1	10	1	10	3957	70	10	15.42	1567	344	+40	E	5	40	2	70
3918	70	10	11.32	1567	38	-64	E	1	10	1	10	3958	70	10	15.42	1567	344	+6	E	1	40	1	25
3919	70	10	11.32	1567	218	-89	W	1	50	1	35	3959	70	10	15.42	1567	164	-69	W	2	10	2	20
3920	70	10	11.32	1567	218	-80	W	12	40	2	240	3960	70	10	15.42	1567	164	-41	W	1	10	1	15
3921	70	10	11.32	1567	218	-30	W	1	40	1	35	3961	70	10	15.42	1567	164	-39	W	1	15	1	15
3922	70	10	11.32	1567	218	-10	W	26	65	3	870	3962	70	10	15.42	1567	164	-19	W	5	20	2	70
3923	70	10	11.32	1567	218	+46	W	2	30	2	35	3963	70	10	15.42	1567	164	-8	W	2	20	2	40
3924	70	10	11.32	1567	218	+72	W	8	70	3	310	3964	70	10	15.42	1567	164	+11	W	15	60	2	370
3925	70	10	12.28	1567	25	+54	E	1	10	1	15	3965	70	10	15.42	1567	164	+52	W	8	60	2	150
3926	70	10	12.28	1567	25	+44	E	4	10	2	40	3966	70	10	15.42	1567	164	+82	W	2	15	1	20
3927	70	10	12.28	1567	25	+34	E	1	10	1	10	3967	70	10	16.27	1567	332	+88	E	1	10	1	10
3928	70	10	12.28	1567	25	+22	E	6	80	1	50	3968	70	10	16.27	1567	332	+45	E	6	50	2	150
3929	70	10	12.28	1567	25	+3	E	2	10	2	20	3969	70	10	16.27	1567	332	+31	E	6	35	3	120
3930	70	10	12.28	1567	25	-4	E	3	30	2	55	3970	70	10	16.27	1567	332	+11	E	7	45	3	90
3931	70	10	12.28	1567	25	-15	E	2	15	1	15	3971	70	10	16.27	1567	332	-4	E	13	50	3	220
3932	70	10	12.28	1567	25	-35	E	1	10	1	10	3972	70	10	16.27	1567	332	-16	E	6	80	2	60
3933	70	10	12.28	1567	25	-55	E	5	20	2	50	3973	70	10	16.27	1567	152	-78	W	17	45	1	135
3934	70	10	12.28	1567	25	-62	E	3	10	2	30	3974	70	10	16.27	1567	152	-38	W	1	15	1	10
3935	70	10	12.28	1567	205	-79	W	1	10	1	10	3975	70	10	16.27	1567	152	-20	W	10	18	2	10
3936	70	10	12.28	1567	205	-73	W	1	10	1	10	3976	70	10	16.27	1567	152	+12	W	8	70	1	190
3937	70	10	12.28	1567	205	-50	W	1	10	1	10	3977	70	10	16.27	1567	152	+29	W	3	20	3	40
3938	70	10	12.28	1567	205	-24	W	11	80	3	530	3978	70	10	16.27	1567	152	+55	W	8	60	2	110
3939	70	10	12.28	1567	205	-5	W	1	10	2	10	3979	70	10	16.27	1567	152	+84	W	2	10	1	15
3940	70	10	12.28	1567	205	+1	W	3	20	1	50	3980	70	10	17.27	1567	319	+65	E	3	20	2	25
3941	70	10	12.28	1567	205	+46	W	5	60	2	150	3981	70	10	17.27	1567	319	+33	E	5	35	3	50
3942	70	10	12.28	1567	205	+70	W	7	60	3	250	3982	70	10	17.27	1567	319	+20	E	1	35	1	20
3943	70	10	13.28	1567	12	+53	E	1	25	2	20	3983	70	10	17.27	1567	319	+5	E	13	50	3	550
3944	70	10	13.28	1567	12	+42	E	10	25	2	130	3984	70	10	17.27	1567	319	-18	E	3	40	2	65
3945	70	10	13.28	1567	12	+27	E	2	30	2	35	3985	70	10	17.27	1567	139	-70	W	2	40	1	30
3946	70	10	13.28	1567	12	+6	E	3	20	2	50	3986	70	10	17.27	1567	139	-41	W	10	35	2	110
3947	70	10	13.28	1567	12	-11	E	7	30	3	115	3987	70	10	17.27	1567	139	+49	W	4	25	1	35
3948	70	10	13.28	1567	12	-22	E	5	10	2	50	3988	70	10	17.27	1567	139	+76	W	1	10	1	10
3949	70	10	13.28	1567	12	-39	E	2	10	2	20	3989	70	10	13.30	1568	322	+75	E	10	20	2	50
3950	70	10	13.28	1567	12	-58	E	9	30	2	120	3990	70	10	13.30	1568	322	+15	E	26	70	3	960

TABLE 1 CONTINUED

3991 70 11	13.30	1568	322	-20 E	8	30	2	50	4031 70 11	27.38	1568	317	-44 E	5	50	2	90
3992 70 11	13.30	1568	142	-38 W	5	40	2	60	4032 70 11	27.38	1568	317	-54 W	4	40	2	60
3993 70 11	13.30	1568	142	+51 W	2	40	2	40	4033 70 11	27.38	1568	317	-41 W	4	50	2	70
3994 70 11	13.30	1568	142	+67 W	3	40	2	40	4034 70 11	27.38	1568	317	+37 W	23	180	3	370
3995 70 11	25.36	1568	163	+43 E	1	50	1	40	4035 70 11	27.38	1568	317	+70 W	3	30	2	40
3996 70 11	25.36	1568	163	+18 E	3	10	2	15	4036 70 12	5.40	1569	31	+72 E	6	20	2	30
3997 70 11	25.36	1568	163	-23 E	2	40	2	10	4037 70 12	5.40	1569	31	+49 E	3	11	2	35
3998 70 11	25.36	1568	163	-35 E	3	180	1	120	4038 70 12	5.40	1569	31	+21 E	12	50	3	330
3999 70 11	25.36	1568	163	-54 E	1	20	1	20	4039 70 12	5.40	1569	31	+7 E	9	80	1	150
4000 70 11	25.36	1568	343	-31 W	3	70	1	100	4040 70 12	5.40	1569	31	-26 E	10	40	2	150
4001 70 11	25.36	1568	343	-22 W	3	30	2	25	4041 70 12	5.40	1569	31	-55 E	2	10	1	15
4002 70 11	25.36	1568	343	+9 W	3	10	1	25	4042 70 12	5.40	1569	211	-23 W	5	40	3	105
4003 70 11	25.36	1568	343	+22 W	12	60	3	200	4043 70 12	5.40	1569	211	+23 W	15	50	1	165
4004 70 11	25.36	1568	343	+37 W	9	40	2	65	4044 70 12	5.40	1569	211	+50 W	6	50	1	60
4005 70 11	25.36	1568	343	+47 W	1	20	2	20	4045 70 12	5.40	1569	211	+63 W	5	40	1	90
4006 70 11	25.36	1568	343	+54 W	8	30	1	190	4046 70 12	5.40	1569	211	+77 W	2	11	1	15
4007 70 11	25.36	1568	343	+68 W	2	20	1	35	4047 70 12	7.42	1569	4	+66 E	3	30	2	35
4008 70 11	26.38	1568	150	+43 E	7	60	1	65	4048 70 12	7.42	1569	4	+8 E	8	90	1	85
4009 70 11	26.38	1568	150	+20 E	3	30	3	60	4049 70 12	7.42	1569	4	-3 E	5	75	2	45
4010 70 11	26.38	1568	150	-11 E	14	115	2	125	4050 70 12	7.42	1569	4	-28 E	2	15	3	15
4011 70 11	26.38	1568	150	-48 E	5	40	1	70	4051 70 12	7.42	1569	4	-45 E	2	20	2	20
4012 70 11	26.38	1568	150	-63 E	2	40	2	55	4052 70 12	7.42	1569	4	-55 E	1	20	2	15
4013 70 11	26.38	1568	150	-69 E	4	30	3	80	4053 70 12	7.42	1569	184	-16 W	11	45	2	260
4014 70 11	26.38	1568	330	-52 W	6	50	2	70	4054 70 12	7.42	1569	184	+9 W	1	10	2	10
4015 70 11	26.38	1568	330	-32 W	4	50	2	100	4055 70 12	7.42	1569	184	+27 W	11	60	2	40
4016 70 11	26.38	1568	330	-25 W	2	20	1	20	4056 70 12	7.42	1569	184	+60 W	11	75	2	490
4017 70 11	26.38	1568	330	+4 W	2	70	2	45	4057 70 12	11.45	1569	311	+70 E	10	40	2	145
4018 70 11	26.38	1568	330	+11 W	1	65	2	80	4058 70 12	11.45	1569	311	+56 E	5	30	2	80
4019 70 11	26.38	1568	330	+17 W	7	30	1	100	4059 70 12	11.45	1569	311	+3 E	7	160	1	410
4020 70 11	26.38	1568	330	+34 W	14	100	2	90	4060 70 12	11.45	1569	311	-10 E	6	25	2	55
4021 70 11	26.38	1568	330	+57 W	12	70	2	140	4061 70 12	11.45	1569	311	-49 E	2	20	2	35
4022 70 11	26.38	1568	330	+69 W	3	30	1	40	4062 70 12	11.45	1569	311	-58 E	4	20	2	40
4023 70 11	27.38	1568	137	+69 E	3	50	2	65	4063 70 12	11.45	1569	131	-28 W	13	50	3	130
4024 70 11	27.38	1568	137	+47 E	5	50	3	110	4064 70 12	11.45	1569	131	+10 W	1	15	2	15
4025 70 11	27.38	1568	137	+20 E	2	50	3	60	4065 70 12	11.45	1569	131	+26 W	1	15	2	10
4026 70 11	27.38	1568	137	+13 E	1	50	1	30	4066 70 12	11.45	1569	131	+37 W	9	25	3	55
4027 70 11	27.38	1568	137	+7 E	1	15	1	15	4067 70 12	11.45	1569	131	+55 W	1	10	2	10
4028 70 11	27.38	1568	137	+1 E	1	21	1	15	4068 70 12	11.45	1569	131	+76 W	4	75	3	90
4029 70 11	27.38	1568	137	-19 E	5	50	2	55	4069 70 12	12.42	1569	298	+68 E	9	30	2	120
4030 70 11	27.38	1568	137	-31 E	7	60	3	130	4070 70 12	12.42	1569	298	+38 E	5	15	2	25

TABLE 1 CONTINUED

TABLE 1 CONTINUED

4071	70	12	12.42	1569	298	+9 E	10	140	2	240	4111	71	1	7.36	1570	316	+32 E	11	40	3	160
4072	70	12	12.42	1569	298	-31 E	14	30	2	130	4112	71	1	7.36	1570	316	+10 E	4	30	1	40
4073	70	12	12.42	1569	298	-66 E	2	15	1	15	4113	71	1	7.36	1570	316	-89 E	1	10	3	10
4074	70	12	12.42	1569	118	-35 W	13	60	2	250	4114	71	1	7.36	1570	316	-27 W	2	30	2	35
4075	70	12	12.42	1569	118	-9 W	16	30	3	90	4115	71	1	7.36	1570	136	-20 W	2	40	2	50
4076	70	12	12.42	1569	118	+26 W	14	20	3	95	4116	71	1	7.36	1570	136	+86 W	1	20	1	15
4077	70	12	12.42	1569	118	+74 W	5	60	1	120	4117	71	1	8.33	1570	303	+87 E	3	50	1	20
4078	70	12	12.42	1569	118	+84 W	2	20	1	20	4118	71	1	8.33	1570	303	+79 E	5	30	1	40
4079	70	12	13.40	1569	285	+67 E	10	30	2	75	4119	71	1	8.33	1570	303	+53 E	1	10	3	10
4080	70	12	13.40	1569	285	+26 E	17	30	1	105	4120	71	1	8.33	1570	303	+34 E	11	60	3	180
4081	70	12	13.40	1569	285	+13 E	6	50	2	80	4121	71	1	8.33	1570	303	+15 E	1	30	1	20
4082	70	12	13.40	1569	285	-32 E	3	30	2	25	4122	71	1	8.33	1570	303	-15 E	3	40	1	45
4083	70	12	13.40	1569	105	-37 W	4	105	2	115	4123	71	1	8.33	1570	303	-27 E	1	10	2	10
4084	70	12	13.40	1569	105	-23 W	2	20	3	25	4124	71	1	8.33	1570	303	-39 E	2	10	1	20
4085	70	12	13.40	1569	105	+51 W	1	10	3	15	4125	71	1	8.33	1570	303	-43 E	2	10	2	20
4086	70	12	13.40	1569	105	+75 W	6	60	3	120	4126	71	1	8.33	1570	123	-21 W	10	50	3	140
4087	70	12	17.34	1569	233	+65 E	1	20	1	20	4127	71	1	8.33	1570	123	+24 W	1	40	1	20
4088	70	12	17.34	1569	233	+11 E	1	20	2	15	4128	71	1	8.33	1570	123	+72 W	1	20	1	15
4089	70	12	17.34	1569	233	-20 E	1	10	2	10	4129	71	1	8.33	1570	123	+81 W	7	40	1	40
4090	70	12	17.34	1569	53	-41 W	2	10	2	15	4130	71	1	9.34	1570	290	+73 E	1	20	2	20
4091	70	12	17.34	1569	53	+28 W	7	15	1	60	4131	71	1	9.34	1570	290	+56 E	1	20	2	20
4092	70	12	17.34	1569	53	+41 W	6	40	2	110	4132	71	1	9.34	1570	290	+36 E	11	50	3	250
4093	70	12	18.34	1569	220	+64 E	7	35	1	80	4133	71	1	9.34	1570	290	+8 E	11	90	1	85
4094	70	12	18.34	1569	220	-11 E	10	75	1	95	4134	71	1	9.34	1570	290	-17 E	11	20	2	65
4095	70	12	18.34	1569	220	-37 E	3	40	2	40	4135	71	1	9.34	1570	290	-26 E	1	10	2	10
4096	70	12	18.34	1569	40	-21 W	8	45	3	200	4136	71	1	9.34	1570	110	-31 W	3	20	3	30
4097	70	12	18.34	1569	40	+34 W	35	60	3	1020	4137	71	1	9.34	1570	110	-23 W	4	40	3	130
4098	70	12	18.34	1569	40	+58 W	4	45	2	60	4138	71	1	9.34	1570	110	+1 W	2	40	1	30
4099	71	1	6.31	1570	330	+81 E	1	20	1	15	4139	71	1	9.34	1570	110	+17 W	8	70	1	50
4100	71	1	6.31	1570	330	+72 E	7	40	2	80	4140	71	1	9.34	1570	110	+31 W	3	30	1	25
4101	71	1	6.31	1570	330	+54 E	4	20	3	35	4141	71	1	9.34	1570	110	+55 W	2	20	3	25
4102	71	1	6.31	1570	330	+41 E	1	40	1	35	4142	71	1	9.34	1570	110	+79 W	1	40	1	30
4103	71	1	6.31	1570	330	+26 E	2	20	2	25	4143	71	1	12.33	1570	250	+41 E	2	10	2	20
4104	71	1	6.31	1570	330	-56 E	7	20	2	55	4144	71	1	12.33	1570	250	+34 E	1	10	2	10
4105	71	1	6.31	1570	150	-38 W	1	20	3	20	4145	71	1	12.33	1570	250	+26 E	6	40	2	50
4106	71	1	6.31	1570	150	-15 W	25	30	3	320	4146	71	1	12.33	1570	250	+12 E	9	40	1	60
4107	71	1	6.31	1570	150	+19 W	6	20	1	50	4147	71	1	12.33	1570	250	-9 E	13	70	3	280
4108	71	1	6.31	1570	150	+66 W	3	50	1	25	4148	71	1	12.33	1570	250	-41 E	1	20	1	20
4109	71	1	6.31	1570	150	+87 W	1	30	1	20	4149	71	1	12.33	1570	250	-46 F	1	20	1	20
4110	71	1	7.36	1570	316	+69 E	2	110	3	130	4150	71	1	12.33	1570	250	-86 E	1	10	1	15

TABLE 1 CONTINUED

TABLE 1 CONTINUED

4151 71	1	12.33	1570	70	-52 W	2	20	3	50	4191 71	1	18.46	1570	349	-26 W	11	40	2	75
4152 71	1	12.33	1570	70	-43 W	7	60	3	110	4192 71	1	18.46	1570	349	-9 W	4	30	1	35
4153 71	1	12.33	1570	70	-19 W	20	20	3	245	4193 71	1	18.46	1570	349	+4 W	4	30	1	40
4154 71	1	12.33	1570	70	+9 W	8	10	2	80	4194 71	1	18.46	1570	349	+30 W	3	10	2	25
4155 71	1	12.33	1570	70	+37 W	13	20	2	60	4195 71	1	18.46	1570	349	+36 W	1	30	2	25
4156 71	1	12.33	1570	70	+59 W	16	40	3	130	4196 71	1	18.46	1570	349	+56 W	2	60	2	70
4157 71	1	14.32	1570	224	+72 E	2	20	2	30	4197 71	1	18.46	1570	349	+76 W	2	20	2	25
4158 71	1	14.32	1570	224	+59 E	1	30	1	20	4198 71	1	19.36	1570	157	+25 E	3	10	3	20
4159 71	1	14.32	1570	224	+42 E	2	10	1	20	4199 71	1	19.36	1570	157	+15 E	2	20	1	15
4160 71	1	14.32	1570	224	+9 E	15	50	1	70	4200 71	1	19.36	1570	157	+9 E	1	20	2	20
4161 71	1	14.32	1570	224	-24 E	8	40	1	80	4201 71	1	19.36	1570	157	+3 E	5	10	3	40
4162 71	1	14.32	1570	224	-38 E	5	20	1	30	4202 71	1	19.36	1570	157	-20 E	30	60	3	540
4163 71	1	14.32	1570	224	-64 E	3	10	1	25	4203 71	1	19.36	1570	337	-47 W	2	10	2	20
4164 71	1	14.32	1570	224	-76 E	1	10	1	10	4204 71	1	19.36	1570	337	-31 W	4	70	2	70
4165 71	1	14.32	1570	224	-84 E	1	10	1	10	4205 71	1	19.36	1570	337	-22 W	1	30	2	25
4166 71	1	14.32	1570	44	-47 W	5	50	2	70	4206 71	1	19.36	1570	337	+59 W	2	30	2	30
4167 71	1	14.32	1570	44	-19 W	3	40	3	50	4207 71	1	19.36	1570	337	+78 W	2	20	2	40
4168 71	1	14.32	1570	44	-8 W	11	20	3	170	4208 71	1	25.49	1571	76	+61 E	5	20	1	45
4169 71	1	14.32	1570	44	+12 W	2	20	1	25	4209 71	1	25.49	1571	76	+10 E	1	40	2	20
4170 71	1	14.32	1570	44	+38 W	8	30	2	55	4210 71	1	25.49	1571	76	-11 E	3	20	2	35
4171 71	1	14.32	1570	44	+66 W	3	10	2	20	4211 71	1	25.49	1571	76	-22 E	6	40	3	85
4172 71	1	14.32	1570	44	+81 W	2	40	2	35	4212 71	1	25.49	1571	256	-30 W	1	25	2	15
4173 71	1	15.32	1570	211	+70 E	6	20	2	60	4213 71	1	25.49	1571	256	-14 W	13	60	3	440
4174 71	1	15.32	1570	211	+58 E	3	20	2	35	4214 71	1	25.49	1571	256	+33 W	11	40	3	200
4175 71	1	15.32	1570	211	+17 E	1	90	1	45	4215 71	1	25.49	1571	256	+80 W	2	10	1	20
4176 71	1	15.32	1570	211	+5 E	4	40	1	40	4216 71	1	25.49	1571	64	+59 E	5	50	1	60
4177 71	1	15.32	1570	211	-10 E	5	20	2	30	4217 71	1	26.46	1571	64	+24 E	2	30	2	30
4178 71	1	15.32	1570	211	-37 E	9	70	3	210	4218 71	1	26.46	1571	64	+4 E	15	40	1	50
4179 71	1	15.32	1570	31	-55 W	2	100	2	75	4219 71	1	26.46	1571	64	-23 E	11	50	3	160
4180 71	1	15.32	1570	31	-22 W	4	20	3	35	4220 71	1	26.46	1571	64	-52 E	6	30	3	55
4181 71	1	15.32	1570	31	-10 W	10	40	3	90	4221 71	1	26.46	1571	244	-48 W	1	20	1	15
4182 71	1	15.32	1570	31	+20 W	7	10	3	65	4222 71	1	26.46	1571	244	-34 W	1	50	1	35
4183 71	1	15.32	1570	31	+61 W	2	30	3	20	4223 71	1	26.46	1571	244	-9 W	17	40	3	280
4184 71	1	15.32	1570	31	+79 W	1	60	1	30	4224 71	1	26.46	1571	244	+19 W	4	10	1	40
4185 71	1	18.46	1570	169	+64 E	1	10	2	10	4225 71	1	26.46	1571	244	+37 W	2	40	2	45
4186 71	1	18.46	1570	169	+16 E	7	40	2	30	4226 71	1	26.46	1571	244	+56 W	1	30	1	20
4187 71	1	18.46	1570	169	+2 E	2	20	3	35	4227 71	1	26.46	1571	244	+80 W	4	30	1	35
4188 71	1	18.46	1570	169	-19 E	32	40	3	620	4228 71	1	29.56	1571	23	+65 E	1	30	1	30
4189 71	1	18.46	1570	169	-41 E	4	60	3	190	4229 71	1	29.56	1571	23	+22 E	8	40	3	260
4190 71	1	18.46	1570	349	-59 W	3	10	2	20	4230 71	1	29.56	1571	23	-2 E	8	40	3	115

TABLE 1 CONTINUED

TABLE 1 CONTINUED

4231 71	1	29.56	1571	23	-13 E	1	20	1	15	4271 71	2	12.29	1571	201	+13 E	7	10	3	70
4232 71	1	29.56	1571	23	-24 E	1	40	1	15	4272 71	2	12.29	1571	201	-5 E	1	60	1	40
4233 71	1	29.56	1571	23	-35 E	5	20	1	40	4273 71	2	12.29	1571	201	-25 E	7	80	2	90
4234 71	1	29.56	1571	23	-52 E	4	20	2	40	4274 71	2	12.29	1571	201	-45 E	3	20	1	50
4235 71	1	29.56	1571	203	-41 W	13	80	3	240	4275 71	2	12.29	1571	21	-45 W	3	50	3	90
4236 71	1	29.56	1571	203	-6 W	12	50	3	180	4276 71	2	12.29	1571	21	-8 W	1	10	2	10
4237 71	1	30.35	1571	12	+67 E	11	30	2	60	4277 71	2	12.29	1571	21	+56 W	1	20	1	10
4238 71	1	30.35	1571	12	+27 E	3	60	3	80	4278 71	2	12.29	1571	21	+74 W	1	20	1	15
4239 71	1	30.35	1571	12	-7 E	1	10	3	10	4279 71	2	12.29	1571	21	+87 W	2	50	2	70
4240 71	1	30.35	1571	12	-22 E	1	20	1	10	4280 71	2	18.54	1571	119	+77 E	3	15	2	20
4241 71	1	30.35	1571	12	-28 E	1	10	1	10	4281 71	2	18.54	1571	119	+61 E	1	40	1	25
4242 71	1	30.35	1571	12	-36 E	1	10	2	15	4282 71	2	18.54	1571	119	+17 E	12	25	2	65
4243 71	1	30.35	1571	12	-51 E	1	20	2	15	4283 71	2	18.54	1571	119	+4 E	16	30	2	100
4244 71	1	30.35	1571	192	-42 W	15	60	3	210	4284 71	2	18.54	1571	119	-38 E	11	30	2	105
4245 71	1	30.35	1571	192	-6 W	7	40	1	50	4285 71	2	18.54	1571	299	-51 W	11	20	1	15
4246 71	1	30.35	1571	192	+17 W	1	30	1	15	4286 71	2	18.54	1571	299	-40 W	3	10	1	20
4247 71	1	30.35	1571	192	+74 W	3	10	2	20	4287 71	2	18.54	1571	299	-21 W	7	50	3	170
4248 71	2	5.33	1571	293	+75 E	1	20	1	15	4288 71	2	18.54	1571	299	-9 W	2	45	2	55
4249 71	2	5.33	1571	293	+57 E	2	20	2	30	4289 71	2	18.54	1571	299	+32 W	33	130	2	1800
4250 71	2	5.33	1571	293	+75 E	1	20	1	15	4290 71	2	18.54	1571	299	+65 W	9	60	2	120
4251 71	2	5.33	1571	293	-16 E	3	40	3	85	4291 71	2	18.54	1571	299	+87 W	6	45	1	75
4252 71	2	5.33	1571	293	-26 E	1	20	2	15	4292 71	2	19.45	1571	107	+63 E	2	25	2	30
4253 71	2	5.33	1571	293	-45 E	2	30	1	30	4293 71	2	19.45	1571	107	+19 E	17	70	2	610
4254 71	2	5.33	1571	113	-55 W	1	10	2	10	4294 71	2	19.45	1571	287	-42 W	3	75	2	120
4255 71	2	5.33	1571	113	-27 W	4	10	2	40	4295 71	2	19.45	1571	287	-17 W	10	45	1	70
4256 71	2	5.33	1571	113	+17 W	6	30	2	70	4296 71	2	19.45	1571	287	+33 W	29	100	2	1050
4257 71	2	5.33	1571	113	+24 W	12	40	3	380	4297 71	2	19.45	1571	287	+61 W	6	60	2	145
4258 71	2	11.30	1571	214	+81 E	23	50	1	160	4298 71	2	19.45	1571	287	+80 W	8	45	2	120
4259 71	2	11.30	1571	214	+32 E	18	50	2	130	4299 71	2	21.41	1572	81	+60 E	2	45	2	40
4260 71	2	11.30	1571	214	+7 E	8	20	2	90	4300 71	2	21.41	1572	81	+25 E	5	75	2	195
4261 71	2	11.30	1571	214	-6 E	9	20	3	130	4301 71	2	21.41	1572	81	+1 E	13	90	1	90
4262 71	2	11.30	1571	214	-40 E	21	30	1	110	4302 71	2	21.41	1572	81	-15 E	5	10	2	30
4263 71	2	11.30	1571	34	-39 W	1	100	2	180	4303 71	2	21.41	1572	81	-44 E	17	45	1	310
4264 71	2	11.30	1571	34	-12 W	19	50	3	440	4304 71	2	21.41	1572	261	+1 W	6	30	1	55
4265 71	2	11.30	1571	34	+7 W	6	20	2	50	4305 71	2	21.41	1572	261	+10 W	1	10	1	10
4266 71	2	11.30	1571	34	+58 W	1	20	2	20	4306 71	2	21.41	1572	261	+33 W	36	105	2	850
4267 71	2	11.30	1571	34	+75 W	1	20	2	20	4307 71	2	21.41	1572	261	+60 W	3	105	3	170
4268 71	2	12.29	1571	201	+82 E	8	20	2	110	4308 71	2	21.41	1572	261	+80 W	6	60	2	130
4269 71	2	12.29	1571	201	+71 E	4	40	3	95	4309 71	2	22.34	1572	69	+75 E	1	2	2	15
4270 71	2	12.29	1571	201	+39 E	2	50	2	75	4310 71	2	22.34	1572	69	+29 E	2	45	2	65

TABLE 1 CONTINUED

4311 71	2	22.34	1572	69	0 E	3	60	1	60	4351 71	3	24.60	1573	29	-55 E	7	110	1	150
4312 71	2	22.34	1572	69	-40 E	22	80	2	950	4352 71	3	24.60	1573	209	-35 W	6	50	1	110
4313 71	2	22.34	1572	249	-11 W	16	30	2	160	4353 71	3	24.60	1573	209	+14 W	13	30	3	110
4314 71	2	22.34	1572	249	+26 W	32	45	3	1300	4354 71	3	24.60	1573	269	+25 V	6	20	1	30
4315 71	2	22.34	1572	249	+79 W	6	45	2	135	4355 71	3	24.60	1573	209	+32 W	3	50	1	70
4316 71	2	24.52	1572	40	+34 E	1	10	2	10	4356 71	3	24.60	1573	209	+63 W	1	20	2	20
4317 71	2	24.52	1572	40	-12 E	26	115	2	260	4357 71	3	25.35	1573	19	+88 E	1	20	2	20
4318 71	2	24.52	1572	40	-42 E	20	50	3	300	4358 71	3	25.35	1573	19	+32 E	4	10	2	45
4319 71	2	24.52	1572	220	-48 W	6	70	1	140	4359 71	3	25.35	1573	19	+23 E	1	30	2	20
4320 71	2	24.52	1572	220	+32 W	13	45	3	465	4360 71	3	25.35	1573	19	+20 E	2	10	2	20
4321 71	2	24.52	1572	220	+60 W	7	50	1	80	4361 71	3	25.35	1573	19	+12 E	3	10	2	30
4322 71	2	24.52	1572	220	+80 W	7	90	2	110	4362 71	3	25.35	1573	19	-47 E	8	40	1	65
4323 71	3	2.37	1572	323	+3 E	12	130	2	140	4363 71	3	25.35	1573	199	-38 W	6	100	1	130
4324 71	3	2.37	1572	323	-3 E	4	40	3	80	4364 71	3	25.35	1573	199	-23 W	6	30	3	90
4325 71	3	2.37	1572	143	-61 W	1	50	1	25	4365 71	3	25.35	1573	199	+14 W	12	50	1	110
4326 71	3	2.37	1572	143	-8 W	5	80	2	75	4366 71	3	25.35	1573	199	+61 W	3	50	2	30
4327 71	3	8.48	1572	242	+75 E	4	20	2	55	4367 71	3	29.62	1573	323	+13 E	1	30	1	20
4328 71	3	8.48	1572	242	+56 E	1	20	1	15	4368 71	3	29.62	1573	323	+4 E	1	50	1	25
4329 71	3	8.48	1572	62	-15 W	1	20	1	15	4369 71	3	29.62	1573	143	-25 W	5	10	3	50
4330 71	3	8.48	1572	62	+6 W	10	120	2	110	4370 71	3	29.62	1573	143	-15 W	1	40	2	20
4331 71	3	9.29	1572	231	+74 E	4	60	1	100	4371 71	3	29.62	1573	143	+59 W	3	30	2	80
4332 71	3	9.29	1572	231	+57 E	3	40	3	70	4372 71	3	29.62	1573	143	+83 W	2	30	2	50
4333 71	3	9.29	1572	231	+32 E	1	10	2	10	4373 71	4	11.25	1573	156	+73 E	2	120	1	240
4334 71	3	9.29	1572	231	+21 E	2	10	2	20	4374 71	4	11.25	1573	156	+17 E	6	30	1	50
4335 71	3	9.29	1572	231	-3 E	1	10	2	10	4375 71	4	11.25	1573	156	+2 E	5	20	1	50
4336 71	3	9.29	1572	231	-13 E	1	10	2	10	4376 71	4	11.25	1573	156	-30 E	15	30	1	120
4337 71	3	9.29	1572	51	-36 W	4	30	2	45	4377 71	4	11.25	1573	156	-49 E	2	40	2	40
4338 71	3	9.29	1572	51	-27 W	5	30	2	125	4378 71	4	11.25	1573	156	-75 E	1	30	2	30
4339 71	3	9.29	1572	51	-17 W	8	30	2	110	4379 71	4	11.25	1573	156	-1 E	2	50	1	60
4340 71	3	9.29	1572	51	+2 W	1	20	2	20	4380 71	4	11.25	1573	336	+13 W	5	20	2	70
4341 71	3	9.29	1572	51	+21 W	1	20	1	15	4381 71	4	11.25	1573	336	+34 W	6	30	3	130
4342 71	3	14.36	1572	165	+76 E	2	30	1	30	4382 71	4	12.46	1573	140	+30 E	7	30	1	110
4343 71	3	14.36	1572	165	-9 E	3	30	2	50	4383 71	4	12.46	1573	140	+3 E	2	40	2	50
4344 71	3	14.36	1572	165	-24 E	14	20	2	130	4384 71	4	12.46	1573	320	-2 W	2	30	1	50
4345 71	3	14.36	1572	165	-34 E	2	20	1	30	4385 71	4	14.41	1573	115	+61 E	10	40	1	120
4346 71	3	14.36	1572	345	-49 W	5	30	2	75	4386 71	4	14.41	1573	115	+15 E	28	70	2	490
4347 71	3	14.36	1572	345	+5 W	3	30	2	40	4387 71	4	14.41	1573	115	-7 E	6	40	2	100
4348 71	3	14.36	1572	345	+29 W	2	10	2	20	4388 71	4	14.41	1573	115	-30 E	15	50	2	270
4349 71	3	14.36	1572	345	+34 W	3	10	2	30	4389 71	4	14.41	1573	295	-49 W	2	50	1	70
4350 71	3	24.60	1573	29	+69 E	3	30	1	40	4390 71	4	14.41	1573	295	-32 W	7	30	1	90

TABLE 1 CONTINUED

TABLE 1 CONTINUED

6391 71	4	14.41	1573	295	+ 1 W	1	30	1	30	1	30	1	431 71	5	12.24	1574	287	+ 6 W	3	30	1	40
6392 71	4	14.41	1573	295	+32 W	3	20	2	40	2	60	2	432 71	5	12.24	1574	287	+14 W	8	50	2	180
6393 71	4	15.41	1573	102	+58 E	2	40	2	70				433 71	5	12.24	1574	287	+32 W	4	20	3	60
6394 71	4	15.41	1573	102	+15 E	27	80	2	520				434 71	5	17.27	1575	41	+32 E	2	30	1	30
6395 71	4	15.41	1573	102	- 4 E	2	40	2	110				435 71	5	17.27	1575	41	+18 E	10	33	2	210
6396 71	4	15.41	1573	102	-34 E	5	40	2	130				436 71	5	17.27	1575	221	+55 W	5	60		190
6397 71	4	15.41	1573	282	+40 W	3	50	1	70				437 71	5	17.27	1575	221	+13 W	7	20		100
6398 71	4	15.41	1573	282	-31 W	4	50	1	110				438 71	5	17.27	1575	221	+30 W	1	40		40
6399 71	4	15.41	1573	282	- 5 W	8	90	3	340				439 71	5	17.27	1575	221	+50 W	12	79		740
6400 71	4	22.24	1574	11	+66 E	9	40	2	180				440 71	5	17.27	1575	221	+45 W	7	40		170
6401 71	4	22.24	1574	11	+57 E	1	30	2	50				441 71	5	18.24	1575	208	-52 W	2	20	1	30
6402 71	4	22.24	1574	11	+58 E	4	20	3	40				442 71	5	18.24	1575	208	-18 W	4	20		40
6403 71	4	22.24	1574	11	+12 E	9	60	3	150				443 71	5	18.24	1575	208	+ 3 W	6	30		130
6404 71	4	22.24	1574	11	+45 E	10	70	2	370				444 71	5	21.20	1575	349	+65 E	4	42	2	130
6405 71	4	22.24	1574	191	+43 W	3	30	1	70				445 71	5	21.20	1575	349	+ 9 E	8	30	2	160
6406 71	4	22.24	1574	191	-19 W	8	35	3	60				446 71	5	21.20	1575	349	0 E	6	38	1	200
6407 71	4	22.24	1574	191	0 W	13	40	2	210				447 71	5	21.20	1575	349	+48 E	6	50	2	180
6408 71	4	22.24	1574	191	+34 W	7	80	1	240				448 71	5	21.20	1575	169	+40 W	2	20		40
6409 71	4	22.24	1574	191	+46 W	4	30	2	90				449 71	5	21.20	1575	169	+26 W	3	30	1	40
6410 71	4	22.24	1574	191	+64 W	3	35	1	70				450 71	5	21.20	1575	169	+16 W	5	30	3	100
6411 71	4	23.34	1574	357	+67 E	2	35	1	50				451 71	5	21.20	1575	169	+ 4 W	6	20		80
6412 71	4	23.34	1574	357	+32 E	8	40	2	190				452 71	5	21.20	1575	169	+ 7 W	2	51	1	160
6413 71	4	23.34	1574	357	-33 E	10	40	2	210				453 71	5	21.20	1575	169	+23 W	7	30	1	180
6414 71	4	23.34	1574	357	+47 E	5	60	2	200				454 71	5	25.21	1575	296	+34 E	3	26	2	60
6415 71	4	23.34	1574	177	+ 6 W	23	100	3	610				455 71	5	25.21	1575	296	+22 E	14	40	2	330
6416 71	4	29.61	1574	274	+26 E	15	40	2	230				456 71	5	25.21	1575	296	+ 2 E	1	23	2	25
6417 71	4	29.61	1574	274	- 6 E	15	25	2	140				457 71	5	25.21	1575	296	+53 E	6	41	1	60
6418 71	4	29.61	1574	274	-23 E	2	20	1	30				458 71	5	26.30	1575	282	+26 E	3	32	2	80
6419 71	4	29.61	1574	274	-39 E	2	20	1	23				459 71	5	26.30	1575	282	+ 8 E	4	30	2	70
6420 71	4	29.61	1574	274	-57 E	5	30	1	100				460 71	5	26.30	1575	282	+38 E	7	40	2	140
6421 71	4	29.61	1574	94	+30 W	28	80	2	940				461 71	5	26.30	1575	102	+27 W	6	20	1	60
6422 71	5	3.37	1574	224	+51 E	1	60	1	50				462 71	5	26.30	1575	102	+38 W	2	15	1	20
6423 71	5	3.37	1574	224	0 E	3	40	1	110				463 71	6	1.24	1575	203	+42 E	5	50	3	130
6424 71	5	3.37	1574	224	-13 E	14	70	2	430				464 71	6	1.24	1575	203	+10 E	9	60	1	70
6425 71	5	3.37	1574	44	-24 W	46	360	1	3720				465 71	6	1.24	1575	203	+40 E	1	10	2	10
6426 71	5	3.37	1574	44	+22 W	15	90	2	770				466 71	6	1.24	1575	203	+56 E	2	50	2	70
6427 71	5	12.24	1574	107	+21 E	3	30	2	98				467 71	6	1.24	1575	23	+54 W	1	10	2	10
6428 71	5	12.24	1574	107	- 9 E	10	30	1	110				468 71	6	1.24	1575	23	+41 W	1	20	2	15
6429 71	5	12.24	1574	107	-27 E	2	20	1	50				469 71	6	1.24	1575	23	+36 W	3	30	3	65
6430 71	5	12.24	1574	287	-33 W	8	40	2	220				470 71	6	1.24	1575	23	+30 W	4	30	3	80

TABLE 1 CONTINUED

TABLE 1 CONTINUED

4471	71	6	1.24	1575	23	-18	W	1	20	1	15	4511	71	6	27.18	1576	221	+52	E	7	46	2	133
4472	71	6	1.24	1575	23	-10	W	1	10	2	10	4512	71	6	27.18	1576	41	-52	W	4	38	2	91
4473	71	6	1.24	1575	23	-6	W	1	10	2	10	4513	71	6	27.18	1576	41	-44	W	7	20	2	88
4474	71	6	1.24	1575	23	+6	W	1	10	2	10	4514	71	6	27.18	1576	41	-35	W	8	61	2	272
4475	71	6	4.28	1575	163	+30	E	1	10	2	10	4515	71	6	27.18	1576	41	-19	W	3	50	3	91
4476	71	6	4.28	1575	163	-2	E	10	40	1	45	4516	71	6	27.18	1576	41	+12	W	4	31	3	77
4477	71	6	4.28	1575	163	-23	E	3	60	2	80	4517	71	7	7.41	1577	86	+22	E	18	42	2	510
4478	71	6	4.28	1575	163	-33	E	1	20	2	15	4518	71	7	7.41	1577	86	-18	E	3	20	2	42
4479	71	6	4.28	1575	343	+15	W	14	40	2	160	4519	71	7	7.41	1577	266	-25	W	2	31	2	33
4480	71	6	11.54	1576	67	+32	E	6	30	2	45	4520	71	7	7.41	1577	266	+19	W	13	81	2	356
4481	71	6	11.54	1576	67	+14	E	20	30	2	450	4521	71	7	8.21	1577	75	+20	E	29	43	2	589
4482	71	6	11.54	1576	247	-26	W	2	30	2	50	4522	71	7	8.21	1577	75	-13	E	5	20	2	74
4483	71	6	11.54	1576	247	+23	W	6	30	2	90	4523	71	7	8.21	1577	255	+30	W	11	31	1	113
4484	71	6	14.39	1576	30	+26	E	4	20	1	20	4524	71	7	8.21	1577	255	+6	W	14	39	1	30
4485	71	6	14.39	1576	30	-19	E	2	10	2	25	4525	71	7	9.46	1577	59	+19	E	16	48	1	472
4486	71	6	14.39	1576	30	-32	E	15	30	3	270	4526	71	7	9.46	1577	59	-22	E	20	49	2	411
4487	71	6	14.39	1576	210	-22	W	1	40	2	40	4527	71	7	9.46	1577	239	-35	W	6	18	1	63
4488	71	6	14.39	1576	210	-16	W	2	20	2	20	4528	71	7	9.46	1577	239	-22	W	9	21	1	84
4489	71	6	14.39	1576	210	+23	W	2	30	2	50	4529	71	7	9.46	1577	239	-4	W	11	30	1	160
4490	71	6	14.39	1576	210	+29	W	1	30	2	30	4530	71	7	16.18	1577	330	+28	E	2	17	1	29
4491	71	6	17.27	1576	352	+13	E	13	45	1	371	4531	71	7	16.18	1577	330	-13	E	2	23	1	45
4492	71	6	17.27	1576	352	-23	E	1	50	1	60	4532	71	7	16.18	1577	330	-53	E	7	170	2	560
4493	71	6	17.27	1576	352	-44	E	2	32	1	53	4533	71	7	16.18	1577	150	-53	W	5	31	1	113
4494	71	6	17.27	1576	172	-62	W	1	30	1	40	4534	71	7	16.18	1577	150	-39	W	3	19	1	67
4495	71	6	17.27	1576	172	-53	W	5	41	1	142	4535	71	7	16.18	1577	150	+32	W	2	15	1	51
4496	71	6	17.27	1576	172	-20	W	15	120	2	463	4536	71	7	21.29	1577	263	-2	E	5	41	1	142
4497	71	6	17.27	1576	172	+24	W	5	31	1	107	4537	71	7	21.29	1577	263	-29	E	14	82	1	938
4498	71	6	17.27	1576	172	+45	W	6	32	2	170	4538	71	7	21.29	1577	83	-10	W	4	43	1	119
4499	71	6	24.17	1576	261	+18	E	6	41	2	125	4539	71	7	21.29	1577	83	+31	W	7	81	2	330
4500	71	6	24.17	1576	261	-3	E	7	59	2	258	4540	71	7	22.19	1577	251	+7	E	3	32	2	80
4501	71	6	24.17	1576	261	-28	E	1	48	2	37	4541	71	7	22.19	1577	251	-2	E	3	21	2	46
4502	71	6	24.17	1576	261	-44	E	3	29	1	32	4542	71	7	22.19	1577	251	-31	E	8	40	2	122
4503	71	6	24.17	1576	81	-16	W	12	64	1	298	4543	71	7	22.19	1577	71	-10	W	2	61	2	93
4504	71	6	24.17	1576	81	-4	W	3	20	2	45	4544	71	7	22.19	1577	71	+16	W	6	20	2	84
4505	71	6	24.17	1576	81	+12	W	16	52	3	521	4545	71	7	22.19	1577	71	+27	W	3	30	2	65
4506	71	6	24.17	1576	81	+35	W	6	90	3	202	4546	71	7	22.19	1577	71	+32	W	6	79	3	243
4507	71	6	27.18	1576	221	+37	E	9	42	2	240	4547	71	7	25.17	1577	212	+41	E	11	32	1	234
4508	71	6	27.18	1576	221	+23	E	8	29	2	132	4548	71	7	25.17	1577	212	+15	E	2	50	1	50
4509	71	6	27.18	1576	221	-14	E	4	20	2	43	4549	71	7	25.17	1577	212	-40	E	7	29	1	41
4510	71	6	27.18	1576	221	-23	E	5	21	2	56	4550	71	7	25.17	1577	32	-30	W	8	38	2	186

TABLE 1 CONTINUED

TABLE 1 CONTINUED

4551	71	7	25.17	1577	32	-8	W	11	33	2	22	4591	71	8	2.24	1577	285	+12	W	2	30	2	40
4552	71	7	26.18	1577	198	+62	E	4	30	1	48	4592	71	8	2.24	1577	285	+33	W	3	45	2	80
4553	71	7	26.18	1577	198	+40	E	11	68	3	564	4593	71	8	5.36	1578	64	-18	E	7	35	2	140
4554	71	7	26.18	1577	198	-24	E	6	11	1	50	4594	71	8	5.36	1578	64	-61	E	7	20	2	145
4555	71	7	26.18	1577	198	-38	E	10	62	1	544	4595	71	8	5.36	1578	244	-9	W	1	90	2	55
4556	71	7	26.18	1577	198	-53	E	6	41	1	144	4596	71	8	5.36	1578	244	-28	W	6	25	3	60
4557	71	7	26.18	1577	18	-30	W	2	14	2	43	4597	71	8	5.36	1578	244	-44	W	4	30	2	65
4558	71	7	26.18	1577	18	-16	W	9	20	1	149	4598	71	8	5.36	1578	244	+10	W	6	55	2	160
4559	71	7	26.18	1577	18	+10	W	2	30	3	40	4599	71	8	7.19	1578	40	+29	E	12	70	1	230
4560	71	7	26.18	1577	18	+19	W	8	35	1	181	4600	71	8	7.19	1578	40	-8	E	14	30	1	190
4561	71	7	27.17	1577	185	+39	E	8	80	3	478	4601	71	8	7.19	1578	40	-26	E	5	30	2	120
4562	71	7	27.17	1577	185	+10	E	9	51	1	236	4602	71	8	7.19	1578	220	-11	W	13	15	2	130
4563	71	7	27.17	1577	185	-13	E	3	32	1	50	4603	71	8	7.19	1578	220	+39	W	18	65	3	460
4564	71	7	27.17	1577	185	-22	E	6	50	1	227	4604	71	8	7.19	1578	220	+9	W	2	20	2	20
4565	71	7	27.17	1577	185	-35	E	12	60	2	379	4605	71	8	7.19	1578	220	+13	W	1	15	1	15
4566	71	7	27.17	1577	5	-40	W	6	19	2	88	4606	71	8	10.20	1578	0	+17	E	8	20	2	95
4567	71	7	27.17	1577	5	-10	W	6	18	2	13	4607	71	8	10.20	1578	0	-32	E	20	35	2	360
4568	71	7	27.17	1577	5	+7	W	5	40	2	124	4608	71	8	10.20	1578	180	-38	W	23	110	1	610
4569	71	7	27.17	1577	5	+25	W	16	92	1	477	4609	71	8	10.20	1578	180	+43	W	6	50	3	160
4570	71	7	28.17	1577	172	+40	E	7	64	2	289	4610	71	8	11.19	1578	347	-28	E	8	40	3	195
4571	71	7	28.17	1577	172	+19	E	5	102	1	347	4611	71	8	11.19	1578	167	-37	W	23	45	2	280
4572	71	7	28.17	1577	172	-22	E	3	13	1	38	4612	71	8	11.19	1578	167	+43	W	5	50	3	130
4573	71	7	28.17	1577	172	-33	E	4	28	1	46	4613	71	8	14.23	1578	307	+13	E	7	70	1	150
4574	71	7	28.17	1577	352	-53	W	6	30	1	80	4614	71	8	14.23	1578	307	-32	E	4	25	2	50
4575	71	7	28.17	1577	352	-31	W	4	21	1	62	4615	71	8	14.23	1578	307	+53	E	6	50	1	140
4576	71	7	28.17	1577	352	-11	W	13	17	2	111	4616	71	8	14.23	1578	127	-12	W	12	20	1	130
4577	71	7	28.17	1577	352	+20	W	11	44	1	317	4617	71	8	14.23	1578	127	-26	W	2	30	2	40
4578	71	7	29.25	1577	158	+42	E	18	60	2	544	4618	71	8	14.23	1578	127	-47	W	2	30	2	40
4579	71	7	29.25	1577	158	+9	E	3	100	1	229	4619	71	8	14.23	1578	127	+15	W	2	25	2	70
4580	71	7	29.25	1577	338	-52	W	3	29	1	38	4620	71	8	14.23	1578	127	+37	W	3	20	2	40
4581	71	7	29.25	1577	338	-29	W	4	40	3	134	4621	71	8	15.21	1578	294	+29	E	8	30	3	110
4582	71	7	29.25	1577	338	+16	W	1	51	1	52	4622	71	8	15.21	1578	294	+35	E	5	35	2	110
4583	71	7	29.25	1577	338	+28	W	7	28	1	106	4623	71	8	15.21	1578	294	+55	E	3	60	2	120
4584	71	8	2.24	1577	105	-17	E	6	30	2	120	4624	71	8	15.21	1578	114	-3	W	2	20	3	20
4585	71	8	2.24	1577	105	-34	E	7	40	2	140	4625	71	8	15.21	1578	114	-7	W	6	30	3	120
4586	71	8	2.24	1577	105	-60	E	3	20	2	40	4626	71	8	15.21	1578	114	-24	W	1	130	1	210
4587	71	8	2.24	1577	285	-11	W	3	20	2	60	4627	71	8	17.59	1578	262	+46	E	3	20	1	20
4588	71	8	2.24	1577	285	-18	W	4	15	2	30	4628	71	8	17.59	1578	262	+16	E	1	10	1	5
4589	71	8	2.24	1577	285	-26	W	2	20	2	15	4629	71	8	17.59	1578	262	+13	E	2	20	1	25
4590	71	8	2.24	1577	285	-36	W	2	20	2	25	4630	71	8	17.59	1578	262	-14	E	8	50	1	110

TABLE 1 CONTINUED

TABLE 1 CONTINUED

4631 71	8	17.59	1578	82	-14 W	3	20	1	30	4671 71	9	3.29	1579	42	-28 E	7	50	2	180
4632 71	8	17.59	1578	82	-64 W	5	40	1	65	4672 71	9	3.29	1579	222	-42 W	3	30	2	55
4633 71	8	17.59	1578	82	+28 W	2	20	1	25	4673 71	9	3.29	1579	222	+43 W	4	40	2	90
4634 71	8	18.25	1578	254	+40 E	6	20	1	25	4674 71	9	4.22	1579	30	+36 E	3	20	1	30
4635 71	8	18.25	1578	254	+11 E	8	50	2	210	4675 71	9	4.22	1579	30	+12 E	13	20	2	220
4636 71	8	18.25	1578	254	-22 E	5	40	1	50	4676 71	9	4.22	1579	30	-6 E	4	20	1	50
4637 71	8	18.25	1578	254	-29 E	3	20	1	30	4677 71	9	4.22	1579	30	-16 E	4	20	1	45
4638 71	8	18.25	1578	254	-35 E	1	30	1	35	4678 71	9	4.22	1579	30	-31 E	5	25	3	100
4639 71	8	18.25	1578	74	-7 W	2	30	1	85	4679 71	9	4.22	1579	210	-15 W	7	30	3	130
4640 71	8	18.25	1578	74	-17 W	13	55	2	435	4680 71	9	5.66	1579	11	+6 E	9	40	1	190
4641 71	8	18.25	1578	74	-59 W	1	15	1	10	4681 71	9	5.66	1579	11	-7 E	3	25	2	50
4642 71	8	18.25	1578	74	+13 W	2	25	1	30	4682 71	9	5.66	1579	11	-18 E	8	20	2	90
4643 71	8	18.25	1578	74	+19 W	1	10	1	15	4683 71	9	5.66	1579	191	-12 W	9	20	2	110
4644 71	8	18.25	1578	74	+35 W	1	20	1	15	4684 71	9	5.66	1579	191	-2 W	8	25	2	130
4645 71	8	19.30	1578	240	+9 E	12	65	1	330	4685 71	9	5.66	1579	191	+22 W	3	40	1	120
4646 71	8	19.30	1578	240	-22 E	10	35	2	220	4686 71	9	5.66	1579	191	+73 W	2	15	3	30
4647 71	8	19.30	1578	60	-16 W	12	45	1	360	4687 71	9	16.28	1579	231	-23 E	6	10	2	108
4648 71	8	19.30	1578	60	-57 W	3	30	2	70	4688 71	9	16.28	1579	231	-40 E	7	27	3	106
4649 71	8	19.30	1578	60	+1 W	10	40	2	235	4689 71	9	16.28	1579	231	-55 E	12	39	3	204
4650 71	8	21.24	1578	34	-31 W	10	85	2	620	4690 71	9	16.28	1579	51	-10 W	6	54	3	199
4651 71	8	25.30	1578	161	+42 E	6	50	3	220	4691 71	9	16.28	1579	51	+11 W	3	50	3	88
4652 71	8	25.30	1578	161	+26 E	11	60	1	170	4692 71	9	20.38	1579	176	+3 E	2	11	1	15
4653 71	8	25.30	1578	161	-44 E	24	130	2	1360	4693 71	9	20.38	1579	176	-41 E	4	41	2	89
4654 71	8	25.30	1578	341	-21 W	3	20	2	30	4694 71	9	20.38	1579	356	-39 W	5	82	2	212
4655 71	8	25.30	1578	341	-34 W	4	110	2	170	4695 71	9	20.38	1579	356	-16 W	5	43	1	39
4656 71	8	25.30	1578	341	+18 W	8	20	2	95	4696 71	9	20.38	1579	356	+22 W	5	12	2	41
4657 71	8	26.24	1578	148	+42 E	4	30	2	90	4697 71	9	20.38	1579	356	+33 W	1	8	2	8
4658 71	8	26.24	1578	148	-21 E	5	50	1	155	4698 71	9	21.26	1579	165	+44 E	2	12	2	15
4659 71	8	26.24	1578	148	-49 E	17	130	1	930	4699 71	9	21.26	1579	165	+22 E	8	19	3	99
4660 71	8	26.24	1578	328	-30 W	3	40	1	70	4700 71	9	21.26	1579	165	+3 E	3	30	3	68
4661 71	8	26.24	1578	328	-44 W	9	30	1	125	4701 71	9	21.26	1579	165	-40 E	3	39	1	47
4662 71	8	26.24	1578	328	+19 W	11	70	1	210	4702 71	9	21.26	1579	165	-50 E	2	15	1	28
4663 71	8	29.27	1578	108	+25 E	18	25	1	40	4703 71	9	21.26	1579	345	-42 W	1	39	1	29
4664 71	8	29.27	1578	108	-7 E	21	70	2	770	4704 71	9	21.26	1579	345	-38 W	1	38	1	29
4665 71	8	29.27	1578	108	-32 E	9	90	1	670	4705 71	9	21.26	1579	345	-29 W	3	19	2	21
4666 71	8	29.27	1578	108	-52 E	5	40	1	120	4706 71	9	21.26	1579	345	-18 W	4	21	2	56
4667 71	8	29.27	1578	288	-7 W	14	70	1	490	4707 71	9	21.26	1579	345	+13 W	5	22	3	98
4668 71	8	29.27	1578	288	-60 W	8	80	1	120	4708 71	9	21.26	1579	345	+35 W	3	40	1	61
4669 71	8	29.27	1578	288	+29 W	6	30	2	150	4709 71	9	22.38	1579	150	+41 E	3	21	2	38
4670 71	9	3.29	1579	42	-16 E	5	30	2	90	4710 71	9	22.38	1579	150	+20 E	18	63	3	427

TABLE 1 CONTINUED

TABLE 1 CONTINUED

4711 71 9	22.38	1579	150	-43 E	3	75	2	84	4751 71 10	10.33	1580	273	+40 E	3	20	1	23
4712 71 9	22.38	1579	330	-33 W	3	17	3	49	4752 71 10	10.33	1580	273	+21 E	2	11	2	21
4713 71 9	22.38	1579	330	-27 W	3	49	3	81	4753 71 10	10.33	1580	273	-5 E	7	19	2	70
4714 71 9	22.38	1579	330	-19 W	3	14	2	24	4754 71 10	10.33	1580	273	-51 E	4	28	2	78
4715 71 9	22.38	1579	330	+9 W	2	11	2	11	4755 71 10	10.33	1580	93	-31 W	1	12	1	11
4716 71 9	22.38	1579	330	+18 W	5	14	2	49	4756 71 10	10.33	1580	93	-27 W	2	6	1	19
4717 71 9	23.30	1579	138	+22 E	13	41	3	251	4757 71 10	11.31	1580	260	+43 E	1	11	2	12
4718 71 9	23.30	1579	138	-1 E	21	70	3	129	4758 71 10	11.31	1580	260	+18 E	4	11	2	30
4719 71 9	23.30	1579	138	-31 E	1	22	2	29	4759 71 10	11.31	1580	260	+10 E	7	39	3	109
4720 71 9	23.30	1579	318	-60 W	2	21	1	19	4760 71 10	11.31	1580	260	-9 E	16	29	3	342
4721 71 9	23.30	1579	318	-48 W	2	27	1	21	4761 71 10	11.31	1580	260	-52 E	15	41	2	194
4722 71 9	23.30	1579	318	-33 W	4	39	3	92	4762 71 10	11.31	1580	80	-64 W	1	9	1	10
4723 71 9	23.30	1579	318	-8 W	3	21	2	43	4763 71 10	11.31	1580	80	-39 W	1	22	1	18
4724 71 9	23.30	1579	318	+12 W	2	15	2	29	4764 71 10	11.31	1580	80	-32 W	1	8	2	9
4725 71 9	24.27	1579	125	+30 E	2	50	1	35	4765 71 10	11.31	1580	80	+4 W	1	12	2	12
4726 71 9	24.27	1579	125	-12 E	25	82	1	181	4766 71 10	12.30	1580	247	+63 E	3	12	3	24
4727 71 9	24.27	1579	125	-52 E	6	31	2	29	4767 71 10	12.30	1580	247	-18 E	3	21	2	29
4728 71 9	24.27	1579	305	-43 W	3	50	2	112	4768 71 10	12.30	1380	247	-35 E	6	28	3	78
4729 71 10	1.26	1580	33	+38 E	1	12	1	15	4769 71 10	12.30	1580	247	-48 E	8	53	3	162
4730 71 10	1.26	1580	33	+27 E	4	21	1	38	4770 71 10	12.30	1580	67	-49 W	7	21	1	49
4731 71 10	1.26	1580	33	+5 E	6	19	2	69	4771 71 10	12.30	1580	67	-3 W	1	18	2	19
4732 71 10	1.26	1580	33	-30 E	4	118	3	172	4772 71 10	12.30	1580	67	+6 W	6	13	2	52
4733 71 10	1.26	1580	213	-15 W	18	54	3	511	4773 71 10	17.29	1580	181	+41 E	12	29	1	112
4734 71 10	1.26	1580	213	+2 W	9	50	3	88	4774 71 10	17.29	1580	181	-23 E	3	11	2	33
4735 71 10	1.26	1580	213	+45 W	1	27	1	8	4775 71 10	17.29	1580	181	-37 E	4	16	2	52
4736 71 10	2.27	1580	20	-1 E	1	9	2	8	4776 71 10	17.29	1580	1	-18 W	3	10	2	21
4737 71 10	2.27	1580	20	-31 E	2	16	2	18	4777 71 10	17.29	1580	1	+19 W	3	23	3	63
4738 71 10	2.27	1580	20	-50 E	8	50	3	251	4778 71 10	28.33	1581	36	+32 E	6	19	1	71
4739 71 10	2.27	1580	20	-62 E	3	41	3	124	4779 71 10	28.33	1581	36	-29 E	6	38	1	125
4740 71 10	2.27	1580	200	+1 W	5	52	3	149	4780 71 10	28.33	1581	36	-57 E	2	12	2	22
4741 71 10	2.27	1580	200	+13 W	5	59	3	167	4781 71 10	28.33	1581	216	-14 W	6	69	2	161
4742 71 10	3.26	1580	6	-35 E	1	39	1	9	4782 71 10	29.50	1581	20	-76 E	4	38	2	111
4743 71 10	3.26	1580	186	+6 W	3	10	2	31	4783 71 10	29.50	1581	200	+27 W	2	62	2	109
4744 71 10	3.26	1580	186	+24 W	13	29	2	179	4784 71 10	29.50	1581	200	+62 W	9	19	2	49
4745 71 10	4.27	1580	353	-31 E	3	23	1	25	4785 71 11	1.31	1581	343	+67 E	1	10	1	11
4746 71 10	4.27	1580	353	-42 E	2	21	2	36	4786 71 11	1.31	1581	343	-10 E	7	22	1	88
4747 71 10	4.27	1580	173	-40 W	12	22	1	82	4787 71 11	1.31	1581	343	-70 E	4	49	3	121
4748 71 10	4.27	1580	173	+25 W	12	69	3	143	4788 71 11	1.31	1581	343	-79 E	2	21	3	27
4749 71 10	9.35	1580	286	+40 E	4	29	1	58	4789 71 11	1.31	1581	163	+10 W	18	50	2	334
4750 71 10	9.35	1580	286	-2 E	3	11	2	25	4790 71 11	1.31	1581	163	+58 W	1	6	2	8

TABLE 1 CONTINUED

TABLE 1 CONTINUED

4791	71	11	1.31	1581	163	+64	W	2	30	2	68	4831	71	11	28.34	1582	166	-24	W	12	32	3	162
4792	71	11	1.31	1581	163	+81	W	2	35	1	34	4832	71	11	28.34	1582	166	+32	W	15	50	2	235
4793	71	11	6.30	1581	277	+18	E	14	129	2	318	4833	71	11	30.46	1582	318	+11	E	7	29	1	99
4794	71	11	6.30	1581	277	+21	E	2	11	3	26	4834	71	11	30.46	1582	138	+17	W	7	27	1	98
4795	71	11	6.30	1581	277	+42	E	6	49	3	131	4835	71	11	30.46	1582	138	+44	W	22	72	1	725
4796	71	11	6.30	1581	97	+21	W	2	11	1	16	4836	71	12	7.40	1582	227	+5	E	23	68	3	541
4797	71	11	6.30	1581	97	+15	W	2	11	1	19	4837	71	12	7.40	1582	227	+40	E	1	32	1	32
4798	71	11	6.30	1581	97	+10	W	1	11	1	11	4838	71	12	7.40	1582	47	+23	W	12	67	2	183
4799	71	11	6.30	1581	97	+6	W	1	11	1	11	4839	71	12	7.40	1582	47	+12	W	15	55	2	199
4800	71	11	6.30	1581	97	+1	W	3	11	1	26	4840	71	12	9.52	1582	199	+26	E	9	21	2	97
4801	71	11	14.31	1581	171	+23	E	4	29	3	46	4841	71	12	9.52	1582	199	+5	E	2	21	2	28
4802	71	11	14.31	1581	171	+9	E	10	14	3	74	4842	71	12	9.52	1582	199	+21	E	17	50	2	161
4803	71	11	14.31	1581	171	+30	E	2	41	3	63	4843	71	12	9.52	1582	19	+2	W	3	41	1	39
4804	71	11	14.31	1581	171	+35	E	1	29	2	28	4844	71	12	9.52	1582	19	+20	W	10	49	2	159
4805	71	11	14.31	1581	351	+35	W	8	28	2	38	4845	71	12	13.38	1582	148	+22	E	1	22	1	25
4806	71	11	14.31	1581	351	+14	W	8	31	3	83	4846	71	12	13.38	1582	328	+33	W	8	25	1	52
4807	71	11	14.31	1581	351	+28	W	6	39	2	99	4847	71	12	13.38	1582	328	+2	W	4	30	3	51
4808	71	11	14.31	1581	351	+38	W	7	27	1	64	4848	71	12	13.38	1582	328	+12	W	1	21	1	18
4809	71	11	15.28	1581	159	+29	E	1	29	1	29	4849	71	12	15.39	1582	121	+42	E	11	73	1	271
4810	71	11	15.28	1581	159	+29	E	2	34	2	28	4850	71	12	15.39	1582	121	+42	E	3	31	1	59
4811	71	11	15.28	1581	159	+33	E	2	28	2	47	4851	71	12	15.39	1582	301	+21	W	5	29	1	99
4812	71	11	15.28	1581	159	+38	E	1	19	2	18	4852	71	12	15.39	1582	301	+3	W	9	49	1	138
4813	71	11	15.28	1581	339	+8	W	2	20	2	22	4853	71	12	15.39	1582	301	+18	W	5	19	1	66
4814	71	11	15.28	1581	339	+24	W	8	14	2	58	4854	71	12	16.38	1582	108	+20	E	3	30	2	62
4815	71	11	15.28	1581	339	+41	W	1	21	2	18	4855	71	12	16.38	1582	288	+19	W	4	69	2	143
4816	71	11	21.36	1582	78	+30	E	9	23	1	62	4856	71	12	16.39	1583	82	+2	E	3	21	2	46
4817	71	11	21.36	1582	78	+33	E	1	21	1	22	4857	71	12	16.39	1583	82	+26	E	5	19	1	58
4818	71	11	21.36	1582	258	+42	W	2	16	2	29	4858	71	12	16.39	1583	262	+41	W	7	42	1	148
4819	71	11	21.36	1582	258	+26	W	3	21	1	44	4859	71	12	16.39	1583	262	+23	W	4	24	2	49
4820	71	11	25.33	1582	26	+18	E	6	27	1	109	4860	71	12	16.39	1583	262	+44	W	4	23	2	68
4821	71	11	25.33	1582	26	+11	E	3	22	2	57	4861	71	12	24.36	1583	3	+11	E	7	19	2	81
4822	71	11	25.33	1582	26	+38	E	7	31	2	152	4862	71	12	24.36	1583	183	+36	W	3	20	2	34
4823	71	11	25.33	1582	206	+11	W	18	39	2	224	4863	71	12	26.54	1583	334	+33	E	2	40	1	81
4824	71	11	27.40	1582	359	+21	E	9	29	2	242	4864	71	12	26.54	1583	334	+43	E	2	32	1	38
4825	71	11	27.40	1582	359	+42	E	4	31	1	83	4865	71	12	26.54	1583	154	+23	W	12	39	2	297
4826	71	11	27.40	1582	179	+20	W	4	22	2	61	4866	71	12	26.54	1583	154	+11	W	12	32	2	209
4827	71	11	27.40	1582	179	+0	W	4	30	2	98	4867	71	12	26.54	1583	154	+26	W	2	21	1	35
4828	71	11	27.40	1582	179	+37	W	3	28	1	52	4868	71	12	26.54	1583	154	+39	W	2	13	1	31
4829	71	11	27.40	1582	179	+33	W	3	21	3	41	4869	71	12	27.32	1583	324	+25	E	5	14	2	51
4830	71	11	28.34	1582	346	+36	E	9	18	1	68	4870	71	12	27.32	1583	324	+4	E	21	69	1	548

TABLE 1 CONTINUED

TABLE 1 CONTINUED

4871	71	12	27.32	1583	324	-87	E	2	50	1	58	4911	72	1	3.35	1583	51	+44	W	10	29	2	191
4872	71	12	27.32	1583	144	-21	W	18	74	1	613	4912	72	1	6.38	1583	191	+25	E	15	71	2	533
4873	71	12	31.37	1583	270	+33	E	9	39	1	94	4913	72	1	6.38	1583	191	+3	E	3	79	2	169
4874	71	12	31.37	1583	270	+21	E	9	30	2	182	4914	72	1	6.38	1583	191	-14	E	3	21	1	24
4875	71	12	31.37	1583	270	-3	E	8	41	2	189	4915	72	1	6.38	1583	11	-40	W	2	31	1	38
4876	71	12	31.37	1583	270	-6	E	5	79	2	181	4916	72	1	12.39	1583	112	+47	E	3	29	2	49
4877	71	12	31.37	1583	270	-48	E	5	31	1	92	4917	72	1	12.39	1583	292	-25	W	4	31	1	76
4878	71	12	31.37	1583	90	-41	W	5	29	1	111	4918	72	1	13.40	1583	98	-35	E	26	21	1	332
4879	71	12	31.37	1583	90	-18	W	4	69	2	148	4919	72	1	13.40	1583	278	-24	W	6	49	2	199
4880	71	12	31.37	1583	90	+13	W	5	40	2	101	4920	72	1	13.40	1583	278	-11	W	3	22	2	49
4881	71	12	31.37	1583	90	+30	W	20	54	2	892	4921	72	1	13.40	1583	278	+17	W	4	39	1	93
4882	71	12	31.37	1583	90	+52	W	12	75	2	418	4922	72	1	13.40	1583	278	+33	W	8	41	2	194
4883	72	1	1.43	1583	256	+39	E	9	29	1	168	4923	72	1	13.40	1583	278	+66	W	1	19	1	12
4884	72	1	1.43	1583	256	+20	E	11	49	2	261	4924	72	1	15.43	1584	72	+40	E	4	29	1	48
4885	72	1	1.43	1583	256	-1	E	8	40	2	161	4925	72	1	15.43	1584	72	+2	E	4	49	1	88
4886	72	1	1.43	1588	256	-15	E	4	108	2	174	4926	72	1	15.43	1584	72	-13	E	8	27	2	133
4887	72	1	1.43	1583	256	-48	E	4	16	2	44	4927	72	1	15.43	1584	72	-48	E	6	21	1	62
4888	72	1	1.43	1583	76	-40	W	5	23	1	56	4928	72	1	15.43	1584	252	-43	W	5	21	1	79
4889	72	1	1.43	1583	76	-23	W	5	19	1	57	4929	72	1	15.43	1584	252	-16	W	4	30	1	67
4890	72	1	1.43	1583	76	+14	W	7	27	2	101	4930	72	1	15.43	1584	252	+13	W	6	41	1	125
4891	72	1	1.43	1583	76	+33	W	6	22	2	97	4931	72	1	15.43	1584	252	+40	W	15	28	2	248
4892	72	1	1.43	1583	76	+48	W	10	62	3	342	4932	72	1	16.38	1584	59	+42	E	10	43	1	203
4893	72	1	2.36	1583	244	+41	E	6	58	3	153	4933	72	1	16.38	1584	59	-3	E	12	22	1	111
4894	72	1	2.36	1583	244	+23	E	15	71	2	313	4934	72	1	16.38	1584	239	-8	W	16	54	2	587
4895	72	1	2.36	1583	244	+4	E	10	29	2	148	4935	72	1	16.38	1584	239	+12	W	9	59	3	171
4896	72	1	2.36	1583	244	-9	E	2	31	2	41	4936	72	1	16.38	1584	239	+35	W	6	50	2	162
4897	72	1	2.36	1583	244	-20	E	7	34	2	112	4937	72	1	21.39	1584	353	+8	E	4	22	1	68
4898	72	1	2.36	1583	64	-39	W	4	31	3	111	4938	72	1	21.39	1584	353	-5	E	5	39	2	101
4899	72	1	2.36	1583	64	-23	W	8	35	1	107	4939	72	1	21.39	1584	353	-17	E	15	30	1	276
4900	72	1	2.36	1583	64	+14	W	4	58	2	119	4940	72	1	21.39	1584	353	-58	E	13	14	1	93
4901	72	1	2.36	1583	64	+48	W	14	51	2	383	4941	72	1	21.39	1584	173	-87	W	4	21	1	58
4902	72	1	3.35	1583	231	+40	E	8	61	3	286	4942	72	1	21.39	1584	173	-55	W	11	51	3	371
4903	72	1	3.35	1583	231	+27	E	8	53	2	113	4943	72	1	21.39	1584	173	+64	W	3	31	3	54
4904	72	1	3.35	1583	231	+17	E	6	42	1	111	4944	72	1	21.39	1584	173	+73	W	3	22	1	36
4905	72	1	3.35	1583	231	+2	E	7	22	1	42	4945	72	1	24.36	1584	314	+38	E	3	78	1	71
4906	72	1	3.35	1583	231	-12	E	6	21	2	99	4946	72	1	24.36	1584	314	+29	E	3	21	1	28
4907	72	1	3.35	1583	231	-23	E	1	14	1	17	4947	72	1	24.36	1584	314	+9	E	3	26	2	32
4908	72	1	3.35	1583	231	-62	E	4	41	2	88	4948	72	1	24.36	1584	314	-17	E	6	59	1	39
4909	72	1	3.35	1583	51	-25	W	10	41	1	254	4949	72	1	24.36	1584	314	-28	E	4	22	1	40
4910	72	1	3.35	1583	51	+15	W	2	29	1	52	4950	72	1	24.36	1584	134	-16	W	9	131	2	127

TABLE 1 CONTINUED

TABLE 1 CONTINUED

4951 72	1	25.50	1584	299	+41 E	1	12	2	18	4951 72	2	8.43	1584	295	+38 W	11	73	1	101
4952 72	1	25.50	1584	299	+12 E	2	27	1	34	4952 72	2	16.41	1585	9	-5 E	7	40	2	120
4953 72	1	25.50	1584	299	-29 E	10	23	1	156	4953 72	2	16.41	1585	9	-21 E	7	20	1	120
4954 72	1	25.50	1584	299	-48 E	5	41	2	141	4954 72	2	16.41	1585	9	-40 E	3	30	1	50
4955 72	1	25.50	1584	119	-17 W	10	32	2	85	4955 72	2	16.41	1585	9	-47 E	2	20	1	30
4956 72	1	25.50	1584	119	+19 W	9	19	1	32	4956 72	2	16.41	1585	189	-21 W	9	60	2	170
4957 72	1	25.50	1584	119	+43 W	6	20	1	59	4957 72	2	16.41	1585	189	+29 W	14	30	1	190
4958 72	1	25.50	1584	119	+58 W	6	21	1	87	4958 72	2	16.41	1585	189	+52 W	6	35	2	90
4959 72	1	26.43	1584	286	-36 E	11	41	1	148	4959 72	2	17.31	1585	358	-12 E	5	28	1	75
4960 72	1	26.43	1584	286	-51 E	11	48	2	173	5000 72	2	17.31	1585	178	-30 W	2	50	2	60
4961 72	1	26.43	1584	106	-21 W	7	39	1	168	5001 72	2	17.31	1585	178	-20 W	3	40	2	40
4962 72	1	26.43	1584	106	+11 W	2	21	1	27	5002 72	2	17.31	1585	178	-11 W	2	30	2	45
4963 72	1	26.43	1584	106	+42 W	2	12	3	21	5003 72	2	17.31	1585	178	-1 W	9	30	2	160
4964 72	1	26.43	1584	106	+54 W	5	29	2	69	5004 72	2	17.31	1585	178	+33 W	4	25	2	70
4965 72	2	3.36	1584	182	+46 E	9	43	2	181	5005 72	2	17.31	1585	178	+43 W	3	20	1	30
4966 72	2	3.36	1584	182	+27 E	15	59	2	454	5006 72	2	17.31	1585	178	+55 W	2	25	1	30
4967 72	2	3.36	1584	182	-15 E	3	27	1	39	5007 72	2	19.37	1585	330	+3 E	15	30	2	250
4968 72	2	3.36	1584	182	-12 W	6	29	1	104	5008 72	2	19.37	1585	330	-21 E	8	50	2	140
4969 72	2	3.36	1584	2	+21 W	4	12	2	39	5009 72	2	19.37	1585	330	-38 E	5	40	1	70
4970 72	2	3.36	1584	2	+24 W	3	42	2	86	5010 72	2	19.37	1585	150	+37 W	9	40	1	100
4971 72	2	3.36	1584	2	+44 W	8	21	1	46	5011 72	2	19.37	1585	330	+31 E	1	20	1	20
4972 72	2	4.34	1584	169	+47 E	7	21	1	82	5012 72	2	25.34	1585	252	+34 E	12	70	2	300
4973 72	2	4.34	1584	169	+33 E	4	62	2	161	5013 72	2	25.34	1585	252	-20 E	6	20	2	80
4974 72	2	4.34	1584	169	+25 E	11	53	3	222	5014 72	2	25.34	1585	252	-48 E	4	30	1	80
4975 72	2	4.34	1584	169	+6 E	7	19	3	68	5015 72	2	25.34	1585	72	-38 W	7	50	1	180
4976 72	2	4.34	1584	349	+18 W	5	47	2	95	5016 72	2	25.34	1585	72	+16 W	7	20	1	110
4977 72	2	5.36	1584	155	+33 E	6	49	2	135	5017 72	3	3.34	1585	159	+44 E	5	20	2	50
4978 72	2	5.36	1584	155	-42 E	4	21	2	44	5018 72	3	3.34	1585	159	+30 E	5	10	2	50
4979 72	2	5.36	1584	335	-22 W	3	17	1	21	5019 72	3	3.34	1585	159	+10 E	2	10	2	20
4980 72	2	6.34	1584	142	+32 E	3	11	1	27	5020 72	3	3.34	1585	339	-41 W	8	20	1	65
4981 72	2	6.34	1584	142	+15 E	3	29	2	58	5021 72	3	3.34	1585	339	-27 W	4	10	1	35
4982 72	2	6.34	1584	142	+8 E	2	8	2	19	5022 72	3	3.34	1585	339	0 W	2	20	1	30
4983 72	2	6.34	1584	142	+3 E	2	7	2	8	5023 72	3	3.34	1585	339	+16 W	6	20	2	70
4984 72	2	6.34	1584	142	-25 E	11	51	1	124	5024 72	3	3.34	1585	339	+24 W	6	10	2	40
4985 72	2	6.34	1584	322	-47 W	1	32	3	27	5025 72	3	3.34	1585	339	+36 W	11	30	1	170
4986 72	2	6.34	1584	322	-25 W	3	21	1	48	5026 72	3	4.29	1585	147	+8 E	5	40	1	75
4987 72	2	6.34	1584	322	+42 W	15	11	2	117	5027 72	3	4.29	1585	147	-27 E	2	20	1	25
4988 72	2	8.43	1584	115	+47 E	3	11	1	30	5028 72	3	4.29	1585	147	-33 E	4	10	1	35
4989 72	2	8.43	1584	115	-21 E	10	58	2	313	5029 72	3	4.29	1585	327	-29 W	6	30	3	115
4990 72	2	8.43	1584	295	+18 W	4	20	2	49	5030 72	3	12.36	1586	40	+46 E	5	30	3	95

TABLE 1 CONTINUED

TABLE 1 CONTINUED

5031	72	3	12.36	1586	40	+13	E	4	10	1	40	5071	72	3	29.51	1586	354	-45	W	4	30	2	80
5032	72	3	12.36	1586	40	-39	E	2	20	2	35	5072	72	3	29.51	1586	354	-33	W	6	40	2	140
5033	72	3	12.36	1586	40	-51	E	2	10	1	25	5073	72	3	29.51	1586	354	-18	W	8	20	2	100
5034	72	3	12.36	1586	220	-42	W	6	30	2	110	5074	72	3	29.51	1586	354	-1	W	2	45	2	40
5035	72	3	12.36	1586	220	-3	W	3	20	2	30	5075	72	3	31.48	1586	148	+43	E	3	30	2	60
5036	72	3	12.36	1586	220	+16	W	6	20	3	110	5076	72	3	31.48	1586	148	+31	E	7	55	2	160
5037	72	3	12.36	1586	220	+39	W	9	30	2	180	5077	72	3	31.48	1586	148	+15	E	3	40	1	60
5038	72	3	12.36	1586	220	+51	W	2	10	1	20	5078	72	3	31.48	1586	148	+55	E	4	10	2	40
5039	72	3	13.31	1586	28	+69	E	2	10	2	15	5079	72	3	31.48	1586	328	-44	W	6	25	3	110
5040	72	3	13.31	1586	28	+23	E	3	20	2	30	5080	72	3	31.48	1586	328	-33	W	3	20	1	50
5041	72	3	13.31	1586	28	-10	E	3	50	2	120	5081	72	3	31.48	1586	328	-28	W	3	20	2	50
5042	72	3	13.31	1586	28	-37	E	6	15	1	40	5082	72	3	31.48	1586	328	-4	W	1	30	1	30
5043	72	3	13.31	1586	28	-51	E	3	10	1	20	5083	72	4	5.41	1587	83	+30	E	2	50	2	70
5044	72	3	13.31	1586	208	-45	W	8	25	1	100	5084	72	4	5.41	1587	83	+21	E	4	20	2	65
5045	72	3	14.35	1586	14	+43	E	2	10	1	20	5085	72	4	5.41	1587	83	+16	E	3	20	2	45
5046	72	3	14.35	1586	14	+31	E	6	10	1	35	5086	72	4	5.41	1587	83	-27	E	10	50	2	290
5047	72	3	14.35	1586	14	-8	E	2	45	2	70	5087	72	4	5.41	1587	83	+50	E	7	60	2	190
5048	72	3	14.35	1586	14	-19	E	4	10	1	40	5088	72	4	5.41	1587	263	+1	W	2	20	2	35
5049	72	3	14.35	1586	14	-33	E	5	10	1	50	5089	72	4	7.35	1587	57	+36	E	8	45	2	140
5050	72	3	14.35	1586	14	-41	E	2	10	1	20	5090	72	4	7.35	1587	57	+13	E	17	70	3	600
5051	72	3	14.35	1586	14	-48	E	1	20	1	20	5091	72	4	7.35	1587	57	+1	E	3	20	2	35
5052	72	3	14.35	1586	14	-53	E	1	20	1	15	5092	72	4	7.35	1587	57	-3	E	2	10	2	20
5053	72	3	14.35	1586	194	-44	W	1	10	1	10	5093	72	4	7.35	1587	57	-10	E	3	90	2	70
5054	72	3	18.42	1586	320	+39	E	4	20	1	55	5094	72	4	7.35	1587	57	+9	E	4	30	2	70
5055	72	3	18.42	1586	320	+32	E	3	10	1	30	5095	72	4	7.35	1587	237	-46	W	5	40	2	70
5056	72	3	18.42	1586	320	-14	E	3	20	1	40	5096	72	4	7.35	1587	237	+35	W	40	2	2	55
5057	72	3	18.42	1586	320	-48	E	2	30	1	75	5097	72	4	10.34	1587	18	+48	E	9	25	2	160
5058	72	3	18.42	1586	140	-29	W	4	70	1	170	5098	72	4	10.34	1587	18	+22	E	6	15	2	55
5059	72	3	18.42	1586	140	+10	W	2	50	1	50	5099	72	4	10.34	1587	18	-2	E	11	25	2	110
5060	72	3	18.42	1586	140	+17	W	1	20	1	25	5100	72	4	10.34	1587	18	-41	E	4	15	2	40
5061	72	3	18.42	1586	140	+23	W	6	75	1	150	5101	72	4	10.34	1587	18	-48	E	4	10	2	30
5062	72	3	18.42	1586	140	+42	W	3	20	1	45	5102	72	4	10.34	1587	198	-50	W	5	20	2	55
5063	72	3	19.37	1586	308	+22	E	3	10	2	30	5103	72	4	10.34	1587	198	+45	W	3	10	2	55
5064	72	3	19.37	1586	128	-35	W	1	110	1	130	5104	72	4	20.57	1587	243	+44	E	2	30	2	55
5065	72	3	19.37	1586	128	-23	W	2	30	1	45	5105	72	4	20.57	1587	243	+39	E	2	20	2	30
5066	72	3	19.37	1586	128	+20	W	2	30	1	60	5106	72	4	20.57	1587	63	-41	W	3	40	2	65
5067	72	3	19.37	1586	128	+37	W	3	20	1	40	5107	72	4	20.57	1587	63	-11	W	2	80	2	70
5068	72	3	29.51	1586	174	+40	E	2	20	2	30	5108	72	4	20.57	1587	63	+27	W	21	100	2	770
5069	72	3	29.51	1586	174	+24	E	5	40	2	90	5109	72	4	20.57	1587	63	+45	W	3	40	2	70
5070	72	3	29.51	1586	174	-1	E	4	20	1	50	5110	72	4	29.25	1587	128	+9	E	3	85	2	180

TABLE 1 CONTINUED

TABLE 1 CONTINUED

5111	72	4	29.23	1587	308	-47	W	8	45	2	150	5151	72	5	29.19	1589	273	+57	W	7	25	1	120
5112	72	4	29.23	1587	308	-7	W	2	10	1	15	5152	72	5	30.15	1589	80	+39	E	1	25	2	35
5113	72	4	29.23	1587	308	+29	W	2	10	2	20	5153	72	5	30.15	1589	80	+35	E	3	20	2	50
5114	72	4	29.23	1587	308	+52	W	5	30	1	100	5154	72	5	30.15	1589	80	+20	E	14	20	1	160
5115	72	4	30.22	1587	115	+25	E	8	20	2	90	5155	72	5	30.15	1589	80	+2	E	6	125	2	280
5116	72	4	30.22	1587	115	+11	E	2	43	2	60	5156	72	5	30.15	1589	80	-22	E	9	20	2	100
5117	72	4	30.22	1587	295	-44	W	6	23	2	85	5157	72	5	30.15	1589	260	-21	W	3	20	2	50
5118	72	4	30.22	1587	295	-5	W	6	60	1	65	5158	72	5	30.15	1589	260	+5	W	2	20	1	30
5119	72	4	30.22	1587	295	+6	W	3	10	2	25	5159	72	5	30.15	1589	260	+33	W	5	30	2	130
5120	72	4	30.22	1587	295	+52	W	5	25	2	80	5160	72	6	4.28	1589	13	+33	E	5	20	2	50
5121	72	5	2.45	1588	86	-27	E	5	40	2	130	5161	72	6	4.28	1589	13	+17	E	5	45	2	110
5122	72	5	2.45	1588	266	-18	W	2	30	2	45	5162	72	6	4.28	1589	13	-22	E	6	50	1	260
5123	72	5	5.27	1588	49	-53	E	2	70	2	130	5163	72	6	4.28	1589	13	-53	E	4	60	3	180
5124	72	5	6.28	1588	35	+43	E	2	10	2	20	5164	72	6	4.28	1589	193	+18	W	23	50	2	1100
5125	72	5	6.28	1588	35	+59	E	3	10	2	30	5165	72	6	6.17	1589	348	+14	E	16	40	2	370
5126	72	5	6.28	1588	35	-20	E	6	20	1	90	5166	72	6	6.17	1589	348	-30	E	9	25	1	120
5127	72	5	6.28	1588	35	-35	E	3	25	3	50	5167	72	6	6.17	1589	348	-53	E	7	45	2	170
5128	72	5	6.28	1588	35	-51	E	3	65	3	130	5168	72	6	6.17	1589	168	-48	W	10	30	1	170
5129	72	5	10.34	1588	342	-39	E	21	40	3	450	5169	72	6	7.17	1589	334	+46	E	5	35	2	100
5130	72	5	10.34	1588	162	-68	W	7	55	2	210	5170	72	6	7.17	1589	334	-26	E	3	20	1	30
5131	72	5	10.34	1588	162	-33	W	1	20	2	20	5171	72	6	7.17	1589	334	-48	E	4	25	1	70
5132	72	5	10.34	1588	162	+18	W	3	20	1	60	5172	72	6	7.17	1589	334	-53	E	3	35	2	120
5133	72	5	23.31	1588	171	+43	E	8	55	1	170	5173	72	6	7.17	1589	334	-57	E	3	20	1	50
5134	72	5	23.31	1588	171	+7	E	7	35	2	130	5174	72	6	7.17	1589	154	-49	W	3	25	1	40
5135	72	5	23.31	1588	171	-17	E	3	30	3	60	5175	72	6	9.41	1589	305	+47	E	5	40	2	170
5136	72	5	23.31	1588	351	-18	W	6	30	2	90	5176	72	6	9.41	1589	305	+24	E	2	50	1	60
5137	72	5	23.31	1588	351	+23	W	16	30	3	240	5177	72	6	9.41	1589	305	+15	E	7	25	1	130
5138	72	5	23.31	1588	351	+41	W	3	30	3	60	5178	72	6	9.41	1589	305	-12	E	12	100	2	640
5139	72	5	23.31	1588	351	+55	W	7	25	3	120	5179	72	6	9.41	1589	305	-21	E	4	20	1	50
5140	72	5	24.19	1588	159	+28	E	2	45	1	110	5180	72	6	9.41	1589	305	-40	E	6	35	2	120
5141	72	5	24.19	1588	159	-56	E	3	20	1	30	5181	72	6	9.41	1589	305	-55	E	4	50	2	130
5142	72	5	24.19	1588	339	-29	W	3	15	1	20	5182	72	6	9.41	1589	125	-45	W	10	50	3	220
5143	72	5	24.19	1588	339	-6	W	2	10	2	15	5183	72	6	9.41	1589	125	-28	W	2	40	2	60
5144	72	5	24.19	1588	339	+12	W	2	10	2	30	5184	72	6	9.41	1589	125	+1	W	8	25	2	100
5145	72	5	24.19	1588	339	+30	W	1	25	2	50	5185	72	6	9.41	1589	125	+38	W	11	60	1	290
5146	72	5	24.19	1588	339	+45	W	1	40	2	25	5186	72	6	10.25	1589	294	+87	E	2	30	1	50
5147	72	5	24.19	1588	339	+53	W	4	20	2	40	5187	72	6	10.25	1589	294	+47	E	11	30	2	160
5148	72	5	29.19	1589	93	+45	E	3	40	2	70	5188	72	6	10.25	1589	294	+25	E	2	65	2	150
5149	72	5	29.19	1589	93	+27	E	25	60	2	500	5189	72	6	10.25	1589	294	-12	E	22	50	3	640
5150	72	5	29.19	1589	93	+6	E	13	100	2	470	5190	72	6	10.25	1589	294	-42	E	4	40	1	100

TABLE 1 CONTINUED

TABLE 1 CONTINUED

5191 72	6	10.25	1589	294	-54 E 1 3	40	1	70	5231 72	6	28.16	1590	57	+32 E 10	55	2	360
5192 72	6	10.25	1589	114	-43 W 15	55	2	490	5232 72	6	28.16	1590	237	+54 W 9	50	2	268
5193 72	6	10.25	1589	114	-5 W 18	50	2	460	5233 72	7	8.55	1590	279	+49 E 9	50	3	40
5194 72	6	10.25	1589	114	+41 W 4	50	2	100	5234 72	7	8.55	1590	279	+7 E 9	50	3	290
5195 72	6	11.24	1589	281	-3 E 16	40	1	410	5235 72	7	8.55	1590	279	+13 E 3	60	2	180
5196 72	6	11.24	1589	281	-53 E 2	50	1	70	5236 72	7	8.55	1590	99	-13 W 3	40	3	80
5197 72	6	11.24	1589	101	-10 W 19	45	3	520	5237 72	7	8.55	1590	99	-2 W 1	30	2	40
5198 72	6	11.24	1589	101	+39 W 16	55	2	580	5238 72	7	8.55	1590	99	+21 W 4	30	3	50
5199 72	6	16.39	1589	213	+50 E 5	50	2	120	5239 72	7	8.55	1590	99	+42 W 3	60	3	110
5200 72	6	16.39	1589	213	+30 E 8	110	2	410	5240 72	7	11.57	1590	240	+53 E 6	50	2	180
5201 72	6	16.39	1589	213	-8 E 9	30	3	160	5241 72	7	11.57	1590	240	+28 E 13	50	2	190
5202 72	6	16.39	1589	213	-19 E 5	50	2	130	5242 72	7	11.57	1590	240	+20 E 11	40	2	260
5203 72	6	16.39	1589	33	-44 W 17	130	3	920	5243 72	7	11.57	1590	240	+35 E 5	50	3	160
5204 72	6	16.39	1589	33	-17 W 19	60	1	440	5244 72	7	11.57	1590	60	+39 W 13	65	1	320
5205 72	6	16.39	1589	33	+42 W 6	60	1	240	5245 72	7	11.57	1590	60	-1 W 5	40	2	160
5206 72	6	19.19	1589	176	+13 E 2	20	1	20	5246 72	7	11.57	1590	60	+31 W 10	70	3	360
5207 72	6	19.19	1589	176	+5 E 9	30	1	120	5247 72	7	20.28	1590	125	+38 E 3	10	2	30
5208 72	6	19.19	1589	176	-18 E 6	35	2	120	5248 72	7	20.28	1590	125	+13 E 17	90	3	2700
5209 72	6	19.19	1589	176	-26 E 4	40	1	110	5249 72	7	20.28	1590	125	+56 E 5	50	3	130
5210 72	6	19.19	1589	176	-33 E 8	45	2	150	5250 72	7	20.28	1590	305	-13 W 10	60	3	160
5211 72	6	19.19	1589	176	-54 E 5	30	1	90	5251 72	7	20.28	1590	305	+45 W 4	40	3	110
5212 72	6	19.19	1589	356	-48 W 7	60	2	200	5252 72	7	24.36	1591	72	+29 E 5	35	2	90
5213 72	6	19.19	1589	356	+24 W 13	130	1	140	5253 72	7	24.36	1591	252	+26 W 2	50	2	60
5214 72	6	19.19	1589	356	+43 W 9	50	2	220	5254 72	7	24.36	1591	252	+36 W 8	60	2	280
5215 72	6	21.25	1589	329	-44 W 12	40	1	220	5255 72	7	25.27	1591	60	+74 E 1	20	1	20
5216 72	6	21.25	1589	329	+18 W 4	60	2	230	5256 72	7	25.27	1591	60	+31 E 9	90	3	640
5217 72	6	22.25	1589	135	-58 E 3	40	2	40	5257 72	7	25.27	1591	60	+40 E 7	55	2	140
5218 72	6	22.25	1589	315	+43 W 2	40	1	30	5258 72	7	25.27	1591	240	-23 W 2	30	2	40
5219 72	6	22.25	1589	315	-10 W 6	25	2	80	5259 72	7	25.27	1591	240	-15 W 1	40	1	20
5220 72	6	22.25	1589	315	+2 W 4	20	1	40	5260 72	7	25.27	1591	240	+5 W 1	20	2	15
5221 72	6	22.25	1589	315	+19 W 5	60	3	160	5261 72	7	25.27	1591	240	+30 W 7	30	2	150
5222 72	6	22.25	1589	315	+53 W 8	50	2	190	5262 72	7	25.27	1591	240	+41 W 3	30	2	50
5223 72	6	23.23	1589	122	+30 E 7	60	2	260	5263 72	7	26.26	1591	46	+27 E 7	100	3	400
5224 72	6	23.23	1589	122	-14 E 8	40	2	180	5264 72	7	26.26	1591	46	+13 E 8	30	2	80
5225 72	6	23.23	1589	122	-56 E 4	30	2	70	5265 72	7	26.26	1591	46	+41 E 8	70	2	280
5226 72	6	23.23	1589	302	+54 W 8	60	2	300	5266 72	7	26.26	1591	226	+34 W 1	20	2	20
5227 72	6	26.61	1590	78	-39 E 18	40	2	570	5267 72	7	30.57	1591	350	+19 E 17	50	3	410
5228 72	6	26.61	1590	258	-28 W 6	50	2	180	5268 72	7	30.57	1591	350	-4 E 8	25	3	120
5229 72	6	26.61	1590	258	-15 W 8	75	1	210	5269 72	7	30.57	1591	350	+20 E 9	60	2	100
5230 72	6	26.61	1590	258	+57 W 10	50	3	190	5270 72	7	30.57	1591	350	-55 E 6	80	2	120

TABLE 1 CONTINUED

TABLE 1 CONTINUED

5271 72	7	30.57	1591	170	+18 W	2	20	2	30	5311 72	8	15.24	1591	143	+35 E	1	40	1	20
5272 72	7	30.57	1591	170	+28 W	2	20	2	30	5312 72	8	15.24	1591	323	+49 W	1	20	1	20
5273 72	8	5.37	1591	273	-10 E	3	35	2	70	5313 72	8	15.24	1591	323	+44 W	1	10	1	10
5274 72	8	5.37	1591	93	-7 W	2	40	2	50	5314 72	8	15.24	1591	323	+14 W	5	20	2	70
5275 72	8	5.37	1591	93	+44 W	9	70	2	270	5315 72	8	15.24	1591	323	+25 W	5	60	1	50
5276 72	8	6.19	1591	262	+23 E	9	40	2	190	5316 72	8	16.22	1591	130	+40 E	4	10	3	35
5277 72	8	6.19	1591	262	-12 E	2	40	3	60	5317 72	8	16.22	1591	130	-57 E	3	10	3	25
5278 72	8	6.19	1591	82	+18 W	10	35	1	180	5318 72	8	16.22	1591	310	+54 W	2	20	1	35
5279 72	8	6.19	1591	82	+42 W	9	60	2	250	5319 72	8	16.22	1591	310	+18 W	3	10	3	25
5280 72	8	8.27	1591	55	-5 W	20	30	1	290	5320 72	8	16.22	1591	310	-9 W	4	10	3	20
5281 72	8	8.27	1591	55	+23 W	3	30	3	80	5321 72	8	16.22	1591	310	-1 W	2	10	3	19
5282 72	8	9.19	1591	223	+55 E	9	70	2	140	5322 72	8	19.41	1592	88	+41 E	1	30	1	20
5283 72	8	9.19	1591	223	+4 E	3	25	2	40	5323 72	8	19.41	1592	88	+36 E	1	50	1	40
5284 72	8	9.19	1591	223	0 E	3	20	2	30	5324 72	8	19.41	1592	88	+30 E	5	25	1	45
5285 72	8	9.19	1591	43	-39 W	4	80	1	220	5325 72	8	19.41	1592	88	+21 E	1	20	1	15
5286 72	8	9.19	1591	43	-23 W	2	20	1	30	5326 72	8	19.41	1592	268	+19 W	2	25	1	35
5287 72	8	9.19	1591	43	-8 W	6	20	2	100	5327 72	8	19.41	1592	268	+2 W	1	20	2	20
5288 72	8	9.19	1591	43	+16 W	4	20	2	40	5328 72	8	19.41	1592	268	+29 W	1	30	1	25
5289 72	8	11.23	1591	196	+52 E	4	60	2	110	5329 72	9	6.23	1592	212	+37 E	1	20	1	15
5290 72	8	11.23	1591	196	+18 E	23	70	3	680	5330 72	9	6.23	1592	32	+41 W	7	140	1	220
5291 72	8	11.23	1591	196	-35 E	25	80	3	1010	5331 72	9	6.23	1592	32	+12 W	2	10	3	25
5292 72	8	11.23	1591	16	-16 W	4	20	2	80	5332 72	9	6.23	1592	32	+25 W	1	10	2	10
5293 72	8	11.23	1591	16	-10 W	2	20	1	30	5333 72	9	7.25	1592	199	+36 E	2	20	1	30
5294 72	8	11.23	1591	16	+2 W	2	20	3	40	5334 72	9	7.25	1592	19	+43 W	9	60	1	110
5295 72	8	11.23	1591	16	+13 W	5	40	1	130	5335 72	9	7.25	1592	19	-5 W	2	10	3	25
5296 72	8	11.23	1591	16	+22 W	6	30	3	130	5336 72	9	7.25	1592	19	+14 W	2	10	3	20
5297 72	8	12.29	1591	182	+51 E	3	30	2	80	5337 72	9	7.25	1592	19	+23 W	7	15	3	70
5298 72	8	12.29	1591	182	+28 E	4	30	2	70	5338 72	9	7.25	1592	19	+34 W	2	10	2	20
5299 72	8	12.29	1591	182	+10 E	14	50	2	230	5339 72	9	15.32	1593	93	+38 E	3	20	2	60
5300 72	8	12.29	1591	182	-21 E	3	30	2	70	5340 72	9	15.32	1593	93	+20 E	1	20	1	20
5301 72	8	12.29	1591	182	-44 E	15	50	1	290	5341 72	9	15.32	1593	93	-8 E	4	20	3	70
5302 72	8	12.29	1591	2	-53 W	13	45	1	310	5342 72	9	15.32	1593	93	+21 E	3	30	3	50
5303 72	8	12.29	1591	2	-11 W	7	30	1	110	5343 72	9	15.32	1593	93	-59 E	3	40	2	90
5304 72	8	12.29	1591	2	+23 W	10	30	2	220	5344 72	9	15.32	1593	273	+49 W	2	20	2	30
5305 72	8	14.26	1591	156	+46 E	2	25	1	40	5345 72	9	15.32	1593	273	+7 W	3	30	3	60
5306 72	8	14.26	1591	156	+28 E	3	30	1	50	5346 72	9	16.53	1593	77	+44 E	17	50	1	330
5307 72	8	14.26	1591	156	+11 E	3	20	1	40	5347 72	9	16.53	1593	77	+47 E	3	20	2	40
5308 72	8	14.26	1591	336	-50 W	9	40	2	200	5348 72	9	16.53	1593	77	-59 E	4	30	2	95
5309 72	8	14.26	1591	336	-25 W	3	25	1	40	5349 72	9	16.53	1593	257	+6 W	3	20	3	65
5310 72	8	14.26	1591	336	-5 W	13	25	3	190	5350 72	9	17.23	1593	67	+44 E	19	70	1	270

TABLE 1 CONTINUED

TABLE 1 CONTINUED

5351 72	9	17.23	1593	67	+6 E	3	30	2	55	5391 72	10	5.31	1593	9	+33 W	21	70	2	150
5352 72	9	17.23	1593	67	-42 E	6	30	2	100	5392 72	10	5.31	1593	9	+8 W	1	25	2	25
5353 72	9	17.23	1593	247	+7 W	2	15	2	50	5393 72	10	5.31	1593	9	+38 W	1	20	1	20
5354 72	9	18.37	1593	52	+36 E	3	70	1	55	5394 72	10	7.37	1593	341	-74 W	2	30	2	40
5355 72	9	18.37	1593	52	+21 E	1	20	2	20	5395 72	10	7.37	1593	341	-65 W	2	20	2	30
5356 72	9	18.37	1593	52	+11 E	1	20	2	20	5396 72	10	7.37	1593	341	-21 W	1	20	1	40
5357 72	9	18.37	1593	52	-17 E	1	20	2	15	5397 72	10	7.37	1593	341	+19 W	3	30	1	50
5358 72	9	19.32	1593	40	+31 E	3	20	1	30	5398 72	10	8.42	1593	148	+49 E	3	30	2	75
5359 72	9	19.32	1593	40	+20 E	3	25	1	15	5399 72	10	8.42	1593	148	-18 E	8	80	2	330
5360 72	9	19.32	1593	220	-6 W	1	10	2	10	5400 72	10	8.42	1593	148	-46 E	2	30	2	35
5361 72	9	22.25	1593	1	+24 E	8	10	3	70	5401 72	10	8.42	1593	328	-51 W	3	50	2	95
5362 72	9	22.25	1593	1	-17 E	11	40	3	280	5402 72	10	8.42	1593	328	-24 W	1	40	2	40
5363 72	9	22.25	1593	1	-32 E	8	50	1	100	5403 72	10	8.42	1593	328	-2 W	1	100	1	65
5364 72	9	22.25	1593	1	-39 E	2	10	1	20	5404 72	10	8.42	1593	328	+31 W	2	50	2	45
5365 72	9	22.25	1593	1	-43 E	1	10	1	10	5405 72	10	12.36	1593	96	+40 E	5	20	1	35
5366 72	9	22.25	1593	181	-49 W	3	20	2	50	5406 72	10	12.36	1593	96	-7 E	90	1	90	
5367 72	9	22.25	1593	181	-32 W	10	60	2	320	5407 72	10	12.36	1593	276	-50 W	2	20	1	25
5368 72	9	22.25	1593	181	-1 W	1	20	2	25	5408 72	10	12.36	1593	276	-38 W	7	40	2	55
5369 72	9	22.25	1593	181	+8 W	6	40	2	100	5409 72	10	12.36	1593	276	-20 W	12	50	2	250
5370 72	9	22.25	1593	181	+16 W	1	20	2	20	5410 72	10	12.36	1593	276	+1 W	3	50	1	35
5371 72	9	27.23	1593	295	+41 E	1	20	2	20	5411 72	10	13.23	1594	84	+52 E	1	20	1	20
5372 72	9	27.23	1593	295	+14 E	4	40	1	70	5412 72	10	13.23	1594	84	+40 E	6	20	1	70
5373 72	9	27.23	1593	295	-39 E	7	60	1	110	5413 72	10	13.23	1594	264	-35 W	4	20	2	25
5374 72	9	27.23	1593	295	-58 E	3	20	1	55	5414 72	10	13.23	1594	264	-18 W	9	40	3	190
5375 72	9	27.23	1593	115	-47 W	1	20	2	15	5415 72	10	13.23	1594	264	+32 W	5	30	2	100
5376 72	9	27.23	1593	115	-23 W	3	20	1	15	5416 72	10	14.45	1594	68	+47 E	1	10	1	10
5377 72	9	27.23	1593	115	-7 W	5	70	1	80	5417 72	10	14.45	1594	68	+40 E	1	10	1	10
5378 72	9	27.23	1593	115	+25 W	1	20	2	15	5418 72	10	14.45	1594	68	-23 E	6	25	3	90
5379 72	9	27.23	1593	115	+35 W	2	30	1	30	5419 72	10	14.45	1594	248	-37 W	7	40	2	70
5380 72	9	27.23	1593	115	+56 W	2	40	1	35	5420 72	10	14.45	1594	248	-9 W	6	10	2	55
5381 72	9	29.24	1593	269	-1 E	1	40	1	40	5421 72	10	15.39	1594	56	-17 E	3	20	3	35
5382 72	9	29.24	1593	89	-5 W	2	40	1	60	5422 72	10	15.39	1594	56	-51 E	1	10	2	10
5383 72	9	29.24	1593	89	+28 W	2	50	1	40	5423 72	10	15.39	1594	236	-33 W	2	25	2	25
5384 72	9	29.24	1593	89	+43 W	2	30	1	50	5424 72	10	15.39	1594	236	-9 W	4	20	2	70
5385 72	10	2.52	1593	225	-9 E	3	30	2	55	5425 72	10	16.38	1594	43	+7 E	2	30	1	40
5386 72	10	2.52	1593	225	-33 E	3	25	1	45	5426 72	10	16.38	1594	43	-6 E	1	20	1	20
5387 72	10	2.52	1593	45	+25 W	1	50	2	25	5427 72	10	16.38	1594	43	-23 E	2	30	2	50
5388 72	10	5.31	1593	189	+9 E	2	30	2	50	5428 72	10	16.38	1594	223	+9 W	2	20	1	30
5389 72	10	5.31	1593	189	-35 E	1	40	1	35	5429 72	10	17.29	1594	31	+51 E	4	40	2	80
5390 72	10	5.31	1593	189	-73 E	1	20	1	15	5430 72	10	17.29	1594	31	-24 E	2	50	1	60

TABLE 1 CONTINUED

5431	72 10	17.29	1594	211	+ 1 W	10	60	2	370	5471	72 10	30.34	1594	38	- 1 W	2	10	2	20
5432	72 10	18.30	1594	17	+46 E	2	40	1	70	5472	72 10	30.34	1594	38	+23 W	1	30	1	30
5433	72 10	18.30	1594	17	+40 E	3	50	1	80	5473	72 10	30.34	1594	38	+39 W	2	50	2	40
5434	72 10	18.30	1594	17	+34 E	4	30	1	90	5474	72 10	31.32	1594	205	-21 E	3	35	2	60
5435	72 10	18.30	1594	17	+10 E	2	20	1	30	5475	72 10	31.32	1594	25	-25 W	4	20	2	70
5436	72 10	18.30	1594	17	-10 E	2	25	2	40	5476	72 10	31.32	1594	25	- 1 W	2	20	2	30
5437	72 10	18.30	1594	17	-13 E	2	30	2	50	5477	72 10	31.32	1594	25	+24 W	1	20	3	50
5438	72 10	18.30	1594	17	-29 E	8	50	2	230	5478	72 10	31.32	1594	25	+40 W	5	50	3	80
5439	72 10	18.30	1594	197	+ 8 W	11	50	2	370	5479	72 11	10.34	1595	73	+53 E	5	40	2	100
5440	72 10	20.32	1594	351	+15 E	4	25	1	90	5480	72 11	10.34	1595	73	+46 E	3	30	2	50
5441	72 10	20.32	1594	351	+ 1 E	3	50	1	70	5481	72 11	10.34	1595	253	-53 W	9	40	2	190
5442	72 10	20.32	1594	351	-11 E	4	30	2	70	5482	72 11	10.34	1595	253	-15 W	4	20	3	50
5443	72 10	20.32	1594	351	-37 E	8	50	2	220	5483	72 11	10.34	1595	253	+50 W	6	90	1	350
5444	72 10	20.32	1594	171	-32 W	3	30	1	90	5484	72 11	11.34	1595	60	+49 E	10	60	2	230
5445	72 10	20.32	1594	171	-27 W	7	30	2	110	5485	72 11	11.34	1595	60	+39 E	6	40	2	90
5446	72 10	20.32	1594	171	-17 W	6	100	2	310	5486	72 11	11.34	1595	60	+ 4 E	2	20	2	30
5447	72 10	20.32	1594	171	+ 6 W	2	90	2	150	5487	72 11	11.34	1595	60	-50 E	5	60	1	110
5448	72 10	22.55	1594	321	+28 E	3	30	3	60	5488	72 11	11.34	1595	240	-54 W	4	50	2	100
5449	72 10	22.55	1594	321	- 9 E	2	25	2	50	5489	72 11	11.34	1595	240	+26 W	6	30	2	110
5450	72 10	22.55	1594	321	-18 E	2	40	2	60	5490	72 11	11.34	1595	240	+30 W	7	60	1	260
5451	72 10	22.55	1594	141	-40 W	5	30	2	100	5491	72 11	12.59	1595	43	+46 E	5	60	2	140
5452	72 10	22.55	1594	141	-27 W	16	40	3	260	5492	72 11	12.59	1595	223	-54 W	5	40	2	90
5453	72 10	22.55	1594	141	+41 W	1	50	2	50	5493	72 11	16.52	1595	352	+11 E	6	90	2	200
5454	72 10	25.36	1594	284	-41 E	2	40	3	50	5494	72 11	16.52	1595	172	+26 W	10	60	1	170
5455	72 10	25.36	1594	104	+ 4 W	2	20	2	30	5495	72 11	16.52	1595	172	+37 W	4	60	2	200
5456	72 10	25.36	1594	104	+ 3 W	6	20	3	90	5496	72 11	17.57	1595	338	+10 E	4	80	2	110
5457	72 10	26.59	1594	268	-26 E	4	40	2	80	5497	72 11	17.57	1595	338	+20 E	10	30	2	180
5458	72 10	26.59	1594	88	- 7 W	5	60	2	140	5498	72 11	22.43	1595	274	+ 4 E	5	40	2	90
5459	72 10	26.59	1594	88	+16 W	6	30	2	110	5499	72 11	22.43	1595	274	-17 E	3	20	3	30
5460	72 10	27.30	1594	258	-27 E	4	50	2	100	5500	72 11	22.43	1595	274	-54 E	2	40	1	50
5461	72 10	27.30	1594	258	-60 E	3	45	2	80	5501	72 11	22.43	1595	94	+ 7 W	7	40	2	100
5462	72 10	27.30	1594	78	+38 W	3	40	2	50	5502	72 11	22.43	1595	94	+27 W	6	170	1	530
5463	72 10	27.30	1594	78	+ 5 W	4	50	3	110	5503	72 11	29.43	1595	181	+28 E	2	110	1	180
5464	72 10	27.30	1594	78	+18 W	4	30	2	90	5504	72 11	29.43	1595	181	+ 2 E	15	60	1	310
5465	72 10	27.30	1594	78	+26 W	1	30	1	40	5505	72 11	29.43	1595	1	-23 W	15	40	2	310
5466	72 10	29.29	1594	232	-61 E	4	45	2	80	5506	72 12	2.62	1595	139	+33 E	5	30	1	60
5467	72 10	29.29	1594	52	+ 2 E	3	30	2	30	5507	72 12	2.62	1595	139	+11 E	6	20	1	70
5468	72 10	29.29	1594	52	+12 W	3	30	2	60	5508	72 12	2.62	1595	139	-23 E	4	50	2	130
5469	72 10	30.34	1594	218	+20 E	3	35	2	60	5509	72 12	2.62	1595	319	-30 W	2	50	2	70
5470	72 10	30.34	1594	38	-10 W	5	10	2	50	5510	72 12	2.62	1595	319	+32 W	3	75	1	230

TABLE 1 CONTINUED

TABLE 1 CONTINUED

5511	72 12	2.62	1595	319	+56 W	30	30	1	60	5551	72 12	15.37	1596	151	+58 W	2	30	1	40
5512	72 12	6.42	1596	89	-8 E	6	25	3	90	5552	72 12	16.33	1596	318	+52 E	4	30	2	65
5513	72 12	6.42	1596	89	-36 E	3	1	60		5553	72 12	16.33	1596	318	+28 E	7	20	2	60
5514	72 12	6.42	1596	269	-35 W	3	30	1	30	5554	72 12	16.33	1596	318	+11 E	9	30	2	80
5515	72 12	7.35	1596	257	-48 W	5	50	3	90	5555	72 12	16.33	1596	318	+27 E	7	40	2	80
5516	72 12	7.35	1596	257	-14 W	2	15	2	20	5556	72 12	16.33	1596	138	-35 W	3	15	2	25
5517	72 12	7.35	1596	257	+20 W	2	30	2	40	5557	72 12	16.33	1596	138	-15 W	1	40	2	20
5518	72 12	10.36	1596	37	-52 E	3	30	1	40	5558	72 12	16.33	1596	138	+18 W	5	20	3	45
5519	72 12	10.36	1596	217	-52 W	2	10	2	20	5559	72 12	16.33	1596	138	+39 W	4	20	1	30
5520	72 12	10.36	1596	217	-54 W	2	15	2	30	5560	72 12	17.34	1596	305	+52 E	1	15	1	15
5521	72 12	10.36	1596	217	+21 W	3	30	2	40	5561	72 12	17.34	1596	305	+47 E	2	30	1	35
5522	72 12	12.36	1596	10	+50 E	2	20	2	30	5562	72 12	17.34	1596	305	+39 E	1	20	1	20
5523	72 12	12.36	1596	10	+46 E	5	20	1	80	5563	72 12	17.34	1596	305	+34 E	1	10	1	10
5524	72 12	12.36	1596	10	-25 E	11	30	2	240	5564	72 12	17.34	1596	305	+29 E	3	20	1	40
5525	72 12	12.36	1596	190	-51 W	4	30	3	60	5565	72 12	17.34	1596	305	+24 E	1	25	1	15
5526	72 12	12.36	1596	190	+7 W	3	20	3	60	5566	72 12	17.34	1596	305	+21 E	1	30	1	30
5527	72 12	12.36	1596	190	+13 W	5	40	1	110	5567	72 12	17.34	1596	305	+18 E	1	30	1	35
5528	72 12	12.36	1596	190	+17 W	2	30	2	50	5568	72 12	17.34	1596	305	+15 E	1	20	1	10
5529	72 12	12.36	1596	190	+20 W	2	30	1	40	5569	72 12	17.34	1596	305	-31 E	3	30	2	55
5530	72 12	13.43	1596	356	+50 E	9	60	2	210	5570	72 12	17.34	1596	125	+37 W	5	40	2	70
5531	72 12	13.43	1596	356	+12 E	5	50	2	180	5571	72 12	17.34	1596	125	+41 W	3	30	2	60
5532	72 12	13.43	1596	356	-3 E	5	20	3	60	5572	72 12	20.42	1596	264	+42 E	3	30	1	60
5533	72 12	13.43	1596	356	-17 E	6	50	2	270	5573	72 12	20.42	1596	84	+39 W	4	20	2	40
5534	72 12	13.43	1596	356	-29 E	10	50	1	330	5574	72 12	20.42	1596	84	+25 W	2	20	3	30
5535	72 12	13.43	1596	176	+4 W	4	20	2	50	5575	72 12	21.32	1596	252	+46 E	1	30	1	25
5536	72 12	13.43	1596	176	+3 W	18	30	1	230	5576	72 12	21.32	1596	252	+53 E	2	35	1	45
5537	72 12	14.42	1596	343	+51 E	3	35	2	90	5577	72 12	21.32	1596	72	+25 W	1	40	1	35
5538	72 12	14.42	1596	343	+19 E	6	40	2	150	5578	72 12	21.32	1596	72	+30 W	1	20	1	20
5539	72 12	14.42	1596	343	+11 E	4	60	3	160	5579	72 12	22.43	1596	238	+9 E	2	25	2	40
5540	72 12	14.42	1596	343	-5 E	8	85	2	300	5580	72 12	22.43	1596	238	+54 E	2	30	2	45
5541	72 12	14.42	1596	343	-33 E	6	70	1	170	5581	72 12	23.34	1596	226	+10 E	1	10	1	10
5542	72 12	14.42	1596	163	+2 W	7	45	2	140	5582	72 12	23.34	1596	226	+55 E	2	20	1	25
5543	72 12	14.42	1596	163	+32 W	3	35	3	60	5583	72 12	23.34	1596	46	+8 W	4	20	3	50
5544	72 12	15.37	1596	331	+52 E	5	40	2	140	5584	72 12	23.34	1596	46	+29 W	4	15	2	30
5545	72 12	15.37	1596	331	+25 E	2	10	2	20	5585	72 12	23.34	1596	46	+54 W	1	20	1	15
5546	72 12	15.37	1596	331	+11 E	1	30	1	20	5586	72 12	24.39	1596	212	+14 E	4	25	1	45
5547	72 12	15.37	1596	331	-28 E	1	30	1	20	5587	72 12	24.39	1596	212	+12 E	3	25	2	45
5548	72 12	15.37	1596	151	-52 W	4	30	2	80	5588	72 12	24.39	1596	32	+52 W	1	10	2	10
5549	72 12	15.37	1596	151	-26 W	4	25	1	60	5589	72 12	24.39	1596	32	+41 W	1	10	2	10
5550	72 12	15.37	1596	151	-33 W	3	25	2	70	5590	72 12	24.39	1596	32	+14 W	2	10	1	20

TABLE 1 CONTINUED

TABLE 1 CONTINUED

TABLE 1 CONTINUED

5591	72 12	24.39	1596	32	+29 W	2	20	1	40	5631 73	1	8.34	1597	14	+52 E	2	15	1	25
5592	72 12	25.35	1596	199	+15 E	6	80	1	150	5632 73	1	8.34	1597	14	+25 E	1	20	1	15
5593	72 12	25.35	1596	199	-8 E	1	25	2	25	5633 73	1	8.34	1597	14	+24 E	4	15	2	35
5594	72 12	25.35	1596	19	-16 W	2	50	2	60	5634 73	1	8.34	1597	194	+80 W	2	50	1	80
5595	72 12	25.35	1596	19	+52 W	5	45	1	160	5635 73	1	8.34	1597	194	+8 W	11	40	3	140
5596	72 12	26.32	1596	186	+14 E	7	80	1	130	5636 73	1	8.34	1597	194	+28 W	1	20	2	20
5597	72 12	26.32	1596	6	-17 W	3	30	3	60	5637 73	1	9.36	1597	1	+51 E	4	40	1	70
5598	72 12	26.32	1596	6	-4 W	4	20	3	50	5638 73	1	9.36	1597	1	-28 E	7	15	2	80
5599	72 12	26.32	1596	6	+19 W	1	20	2	20	5639 73	1	9.36	1597	181	+6 W	2	15	2	15
5600	72 12	26.32	1596	6	+53 W	4	55	1	130	5640 73	1	9.36	1597	181	+27 W	4	30	2	50
5601	72 12	27.34	1596	173	+15 E	6	60	1	300	5641 73	1	10.46	1597	346	+45 E	8	70	2	230
5602	72 12	27.34	1596	173	-7 E	2	20	2	30	5642 73	1	10.46	1597	166	-14 W	1	10	2	10
5603	72 12	27.34	1596	173	-17 E	2	10	1	20	5643 73	1	10.46	1597	166	-10 W	1	10	2	15
5604	72 12	27.34	1596	173	-70 E	6	50	2	135	5644 73	1	10.46	1597	166	+2 W	4	10	2	40
5605	72 12	28.39	1596	159	+4 E	2	30	1	50	5645 73	1	10.46	1597	166	+38 W	3	10	2	25
5606	72 12	28.39	1596	339	-24 W	2	45	1	40	5646 73	1	11.41	1597	334	+50 E	5	100	2	240
5607	72 12	29.36	1596	146	-25 E	3	60	2	120	5647 73	1	11.41	1597	334	-15 E	1	45	1	35
5608	72 12	29.36	1596	326	+58 W	6	30	2	55	5648 73	1	11.41	1597	154	-17 W	7	70	3	270
5609	72 12	30.37	1596	133	+37 E	2	20	1	40	5649 73	1	11.41	1597	154	+6 W	7	50	3	85
5610	72 12	30.37	1596	133	-28 E	5	40	1	100	5650 73	1	12.39	1597	321	+51 E	2	20	2	25
5611	72 12	30.37	1596	133	-35 E	1	20	1	15	5651 73	1	12.39	1597	321	+14 E	3	55	3	80
5612	72 12	30.37	1596	313	+39 W	4	40	1	65	5652 73	1	12.39	1597	321	+30 E	9	30	2	120
5613	72 12	31.40	1596	119	+38 E	5	50	1	60	5653 73	1	12.39	1597	141	+22 W	3	70	3	110
5614	72 12	31.40	1596	119	+25 E	1	50	1	40	5654 73	1	13.45	1597	307	+51 E	4	20	1	65
5615	72 12	31.40	1596	119	-28 E	5	20	2	70	5655 73	1	13.45	1597	307	+29 E	2	15	1	25
5616	72 12	31.40	1596	299	+52 W	1	20	1	20	5656 73	1	13.45	1597	307	+8 E	2	20	2	35
5617	72 12	31.40	1596	299	+58 W	4	25	1	60	5657 73	1	13.45	1597	307	-13 E	1	20	2	15
5618	73 1	5.34	1597	54	+41 E	2	65	1	45	5658 73	1	13.45	1597	307	+31 E	4	30	2	90
5619	73 1	5.34	1597	54	-14 E	4	40	1	90	5659 73	1	13.45	1597	127	+22 W	4	100	3	220
5620	73 1	5.34	1597	54	-34 E	1	10	2	10	5660 73	1	14.39	1597	295	+50 E	3	25	2	40
5621	73 1	5.34	1597	234	-40 W	9	70	2	270	5661 73	1	14.39	1597	295	-12 E	8	35	2	130
5622	73 1	5.34	1597	234	-38 W	3	15	2	35	5662 73	1	14.39	1597	115	+33 W	3	20	2	30
5623	73 1	5.34	1597	234	-20 W	2	10	2	15	5663 73	1	14.39	1597	115	+27 W	3	60	2	70
5624	73 1	5.34	1597	234	-16 W	1	10	2	10	5664 73	1	14.39	1597	115	+42 W	1	30	2	15
5625	73 1	6.34	1597	41	+40 E	3	70	1	90	5665 73	1	14.39	1597	115	+48 W	1	20	1	10
5626	73 1	6.34	1597	41	-13 E	3	10	2	30	5666 73	1	15.36	1597	282	+6 E	6	40	1	60
5627	73 1	6.34	1597	41	-17 E	3	20	2	55	5667 73	1	15.36	1597	282	-21 E	3	20	2	45
5628	73 1	6.34	1597	221	-44 W	3	40	2	50	5668 73	1	15.36	1597	102	-34 W	5	20	2	45
5629	73 1	6.34	1597	221	-19 W	8	20	1	80	5669 73	1	17.35	1597	255	+32 E	6	10	1	60
5630	73 1	6.34	1597	221	+31 W	2	25	1	30	5670 73	1	17.35	1597	255	-18 E	7	20	2	95

TABLE 1 CONTINUED

TABLE 1 CONTINUED

5671 73	1	17.35	1597	75	+3 W	5	50	2	65	5711 73	2	5.24	1598	5	+32 E	2	20	2	20
5672 73	1	17.35	1597	75	+11 W	4	50	1	80	5712 73	2	5.24	1598	5	-24 E	2	30	2	35
5673 73	1	17.35	1597	75	+26 W	3	40	1	40	5713 73	2	5.24	1598	185	+29 W	6	30	2	100
5674 73	1	17.35	1597	75	+51 W	1	40	1	45	5714 73	2	18.54	1598	191	-21 E	7	30	2	110
5675 73	1	21.54	1597	200	-13 E	1	50	1	25	5715 73	2	18.54	1598	11	+14 W	5	35	2	90
5676 73	1	21.54	1597	20	-17 W	3	10	2	30	5716 73	3	4.28	1599	5	-28 E	4	20	2	55
5677 73	1	21.54	1597	20	+23 W	1	30	2	25	5717 73	3	22.48	1599	129	-14 E	1	50	1	20
5678 73	1	21.54	1597	20	+39 W	1	30	1	30	5718 73	3	22.48	1599	309	+20 W	2	20	2	35
5679 73	1	22.41	1597	189	+20 E	2	20	2	25	5719 73	3	22.48	1599	309	+8 W	1	45	1	20
5680 73	1	25.33	1597	150	+30 E	3	25	1	55	5720 73	3	23.40	1599	117	+22 E	6	20	1	45
5681 73	1	25.33	1597	150	+7 E	1	40	2	55	5721 73	3	23.40	1599	117	+14 E	1	90	1	55
5682 73	1	25.33	1597	150	-19 E	3	25	2	30	5722 73	3	23.40	1599	297	-21 W	2	20	2	30
5683 73	1	25.33	1597	150	-29 E	2	20	1	25	5723 73	3	23.40	1599	297	+6 W	1	30	1	20
5684 73	1	25.33	1597	330	-27 W	2	10	2	15	5724 73	3	23.40	1599	297	+40 W	2	15	1	25
5685 73	1	25.33	1597	330	+33 W	4	20	2	45	5725 73	3	23.40	1599	297	+54 W	2	20	1	20
5686 73	1	25.33	1597	330	+56 W	3	30	1	35	5726 73	3	24.41	1599	104	-8 E	1	30	1	20
5687 73	1	26.37	1597	136	+31 E	2	20	1	25	5727 73	3	24.41	1599	284	-36 W	1	30	1	20
5688 73	1	26.37	1597	136	+18 E	3	10	1	30	5728 73	3	24.41	1599	284	+10 W	2	30	1	40
5689 73	1	26.37	1597	136	-29 E	6	40	2	75	5729 73	3	24.41	1599	284	+37 W	3	30	2	60
5690 73	1	26.37	1597	316	-1 W	3	20	2	35	5730 73	3	24.41	1599	284	+53 W	2	50	1	35
5691 73	1	26.37	1597	316	+14 W	1	15	2	15	5731 73	4	5.28	1600	307	+30 E	4	80	1	150
5692 73	1	26.37	1597	316	+52 W	4	50	2	90	5732 73	4	5.28	1600	307	-4 E	1	20	3	20
5693 73	1	26.37	1597	316	+58 W	1	10	1	10	5733 73	4	5.28	1600	307	-33 E	2	30	1	40
5694 73	1	27.36	1597	123	+11 E	3	30	2	45	5734 73	4	5.28	1600	127	+21 W	1	80	1	35
5695 73	1	27.36	1597	303	-70 W	2	20	2	30	5735 73	4	5.28	1600	127	+31 W	1	60	1	30
5696 73	1	27.36	1597	303	-4 W	11	60	3	350	5736 73	4	11.44	1600	46	+4 W	4	60	3	160
5697 73	1	27.36	1597	303	+31 W	2	50	2	40	5737 73	4	26.44	1601	28	-13 E	3	40	2	70
5698 73	1	27.36	1597	303	+58 W	3	20	2	40	5738 73	5	1.31	1601	143	+15 W	2	65	2	120
5699 73	1	29.40	1597	96	+53 E	1	20	2	20	5739 73	5	1.31	1601	143	+53 W	5	90	1	170
5700 73	1	29.40	1597	276	-64 W	3	35	1	50	5740 73	5	2.36	1601	309	-24 E	11	20	2	110
5701 73	1	29.40	1597	276	+28 W	2	30	1	30	5741 73	5	2.36	1601	129	+17 W	2	65	2	70
5702 73	1	31.40	1598	70	+36 E	3	40	1	75	5742 73	5	4.34	1601	283	-15 E	4	30	1	60
5703 73	1	31.40	1598	70	+16 E	1	50	2	45	5743 73	5	4.34	1601	103	-29 W	1	50	1	50
5704 73	1	31.40	1598	70	-36 E	3	20	2	40	5744 73	5	7.58	1601	241	+39 E	2	50	2	50
5705 73	1	31.40	1598	70	-53 E	2	20	2	30	5745 73	5	7.58	1601	61	+40 W	2	45	1	40
5706 73	1	31.40	1598	250	+22 W	1	40	2	45	5746 73	5	7.58	1601	61	-10 W	1	40	3	40
5707 73	1	31.40	1598	250	+21 W	1	20	1	15	5747 73	5	7.58	1601	61	+25 W	1	40	2	30
5708 73	2	3.47	1598	30	+10 E	1	20	1	15	5748 73	5	14.24	1601	153	0 E	1	20	3	15
5709 73	2	3.47	1598	30	-14 E	2	20	2	40	5749 73	5	14.24	1601	153	+9 E	2	130	1	80
5710 73	2	5.34	1598	5	+44 E	3	10	2	25	5750 73	5	14.24	1601	153	+18 E	6	30	3	70

TABLE 1 CONTINUED

TABLE 1 CONTINUED

5751 73	5	14.24	1601	333	+45 W	3	50	1	90	5791 73	6	26.23	1603	125	+28 W	6	30	1	120	
5752 73	5	29.29	1602	314	+47 E	2	30	2	50	5792 73	6	27.21	1603	292	+32 E	2	20	2	20	
5753 73	5	29.29	1602	314	-21 E	12	55	2	380	5793 73	6	27.21	1603	292	+5 E	3	30	2	60	
5754 73	5	29.29	1602	314	-40 E	15	60	2	570	5794 73	6	27.21	1603	292	-46 E	2	40	3	70	
5755 73	5	29.29	1602	314	-62 E	7	50	2	120	5795 73	6	27.21	1603	112	+29 W	9	55	3	240	
5756 73	5	29.29	1602	314	-79 E	4	20	3	60	5796 73	6	29.24	1603	266	+27 E	5	30	2	90	
5757 73	5	31.22	1602	289	-28 E	1	20	2	20	5797 73	6	29.24	1603	266	+17 E	6	20	2	70	
5758 73	5	31.22	1602	109	-29 W	4	30	2	50	5798 73	6	29.24	1603	86	+23 W	6	30	3	100	
5759 73	5	31.22	1602	109	+23 W	9	50	2	350	5799 73	7	8.22	1603	147	-11 E	2	20	1	30	
5760 73	5	31.22	1602	109	+41 W	3	30	2	40	5800 73	7	8.22	1603	147	-31 E	2	20	1	20	
5761 73	6	1.25	1602	275	+2 E	2	20	1	30	5801 73	7	8.22	1603	327	-24 W	1	30	1	30	
5762 73	6	5.45	1602	220	+46 E	6	40	1	120	5802 73	7	8.22	1603	327	-21 W	1	50	1	50	
5763 73	6	5.45	1602	220	+20 E	3	30	1	40	5803 73	7	9.56	1603	129	+37 E	6	40	2	140	
5764 73	6	5.45	1602	40	-4 W	9	55	2	200	5804 73	7	9.56	1603	129	+33 E	10	90	2	480	
5765 73	6	9.20	1602	170	+27 E	7	60	3	150	5805 73	7	9.56	1603	309	-42 W	4	40	2	90	
5766 73	6	9.20	1602	350	-32 W	4	30	2	40	5806 73	7	9.56	1603	309	-29 W	2	50	2	50	
5767 73	6	9.20	1602	350	+15 W	14	30	3	250	5807 73	7	10.58	1603	116	-34 E	4	160	1	300	
5768 73	6	9.20	1602	350	+54 W	1	3	20	2	30	5808 73	7	11.19	1603	108	+56 E	7	40	3	160
5769 73	6	10.26	1602	156	+10 E	20	60	3	670	5809 73	7	11.19	1603	108	+44 E	3	20	3	40	
5770 73	6	10.26	1602	336	+15 W	2	25	2	30	5810 73	7	11.19	1603	108	+29 E	2	50	3	60	
5771 73	6	10.26	1602	336	+46 W	2	40	2	50	5811 73	7	11.19	1603	108	+22 E	5	30	3	110	
5772 73	6	12.20	1602	130	+54 E	4	30	2	70	5812 73	7	11.19	1603	108	+4 E	3	30	3	80	
5773 73	6	12.20	1602	130	+21 E	43	80	3	1450	5813 73	7	11.19	1603	108	-13 E	6	10	3	50	
5774 73	6	12.20	1602	130	-35 E	9	20	2	120	5814 73	7	11.19	1603	108	-35 E	6	120	2	370	
5775 73	6	12.20	1602	310	+12 W	4	60	2	170	5815 73	7	11.19	1603	288	+35 W	2	30	3	40	
5776 73	6	13.27	1602	116	+54 E	6	40	3	130	5816 73	7	11.19	1603	288	+44 W	4	40	3	70	
5777 73	6	13.27	1602	116	+26 E	45	70	2	1430	5817 73	7	20.27	1604	348	+14 E	4	30	2	70	
5778 73	6	13.27	1602	116	-36 E	7	40	2	200	5818 73	7	20.27	1604	348	0 E	4	40	2	60	
5779 73	6	13.27	1602	296	-36 W	3	30	2	50	5819 73	7	20.27	1604	168	-36 W	2	40	2	45	
5780 73	6	13.27	1602	296	-22 W	9	20	3	120	5820 73	7	20.27	1604	168	-21 W	5	30	2	90	
5781 73	6	13.27	1602	296	-48 W	6	50	3	120	5821 73	8	2.22	1604	177	+32 E	1	20	2	20	
5782 73	6	14.22	1602	104	+26 E	32	85	2	950	5822 73	8	2.22	1604	177	+14 E	1	30	2	30	
5783 73	6	14.22	1602	104	-38 E	5	30	2	90	5823 73	8	2.22	1604	177	-1 E	1	25	2	25	
5784 73	6	14.22	1602	284	-23 W	3	30	1	40	5824 73	8	2.22	1604	177	-28 E	2	15	2	20	
5785 73	6	14.22	1602	284	+29 W	6	30	1	90	5825 73	8	2.22	1604	357	-6 W	2	30	2	25	
5786 73	6	26.23	1603	305	+51 E	6	50	2	180	5826 73	8	2.22	1604	357	-3 W	1	30	2	15	
5787 73	6	26.23	1603	305	-24 E	2	60	1	80	5827 73	8	2.22	1604	357	+33 W	1	20	2	15	
5788 73	6	26.23	1603	305	-31 E	4	40	2	80	5828 73	8	4.20	1604	151	+58 E	4	25	2	45	
5789 73	6	26.23	1603	305	-45 E	3	40	2	60	5829 73	8	4.20	1604	151	+34 E	3	30	2	65	
5790 73	6	26.23	1603	125	-32 W	6	50	2	150	5830 73	8	4.20	1604	151	-1 E	1	15	1	10	

TABLE 1 CONTINUED

TABLE 1 CONTINUED

5831	73	8	4.20	1604	331	-49	W	1	30	1	20	5871	73	8	10.29	1605	251	+72	W	2	20	1	30
5832	73	8	4.20	1604	331	-29	W	3	30	2	60	5872	73	8	11.32	1605	57	+31	E	1	15	2	20
5833	73	8	5.27	1604	137	+57	E	3	20	1	20	5873	73	8	11.32	1605	57	-1	E	6	50	3	160
5834	73	8	5.27	1604	137	+38	E	3	20	1	35	5874	73	8	11.32	1605	57	-8	E	3	15	3	49
5835	73	8	5.27	1604	137	+13	E	1	15	2	25	5875	73	8	11.32	1605	57	-26	E	5	10	2	50
5836	73	8	5.27	1604	137	-29	E	3	10	2	25	5876	73	8	11.32	1605	237	-54	W	2	20	2	38
5837	73	8	5.27	1604	137	-31	W	3	10	2	25	5877	73	8	11.32	1605	237	+12	W	4	20	2	20
5838	73	8	5.27	1604	317	-20	W	1	10	1	10	5878	73	8	11.32	1605	237	+32	W	1	20	2	20
5839	73	8	5.27	1604	317	+1	W	1	20	2	15	5879	73	8	11.32	1605	237	+51	W	2	60	2	80
5840	73	8	5.27	1604	317	+4	W	1	20	2	15	5880	73	8	14.39	1605	16	-19	E	5	20	3	70
5841	73	8	5.27	1604	317	+76	W	1	15	2	15	5881	73	8	14.39	1605	16	-42	E	4	20	2	35
5842	73	8	6.20	1604	124	+56	E	3	15	2	40	5882	73	8	14.39	1605	196	-31	W	3	80	2	50
5843	73	8	6.20	1604	124	+39	E	1	20	2	20	5883	73	8	14.39	1605	196	-23	W	10	30	3	180
5844	73	8	6.20	1604	124	+21	E	1	10	2	10	5884	73	8	14.39	1605	196	+38	W	8	40	1	80
5845	73	8	6.20	1604	124	-32	E	2	30	3	40	5885	73	8	16.34	1605	351	-20	E	4	15	3	50
5846	73	8	6.20	1604	304	-61	W	2	20	2	30	5886	73	8	16.34	1605	351	-29	E	8	30	3	165
5847	73	8	6.20	1604	304	-22	W	13	25	2	120	5887	73	8	16.34	1605	351	-57	E	4	40	3	110
5848	73	8	6.20	1604	304	+4	W	1	20	1	15	5888	73	8	17.52	1605	335	-8	E	2	30	2	30
5849	73	8	6.20	1604	304	+10	W	1	30	1	20	5889	73	8	17.52	1605	335	-28	E	3	15	3	40
5850	73	8	6.20	1604	304	+29	W	1	15	1	15	5890	73	8	17.52	1605	155	+38	W	10	90	3	310
5851	73	8	7.19	1604	111	+17	E	1	20	1	15	5891	73	8	19.27	1605	312	+29	E	1	20	2	20
5852	73	8	7.19	1604	111	+12	E	1	20	1	15	5892	73	8	19.27	1605	312	-13	E	6	50	3	120
5853	73	8	7.19	1604	111	+7	E	7	25	2	65	5893	73	8	19.27	1605	312	-32	E	3	45	3	85
5854	73	8	7.19	1604	111	-32	E	1	50	1	40	5894	73	8	19.27	1605	132	+29	W	1	25	2	20
5855	73	8	7.19	1604	291	-12	W	3	20	2	50	5895	73	8	19.27	1605	132	+40	W	10	90	2	540
5856	73	8	8.47	1604	95	+25	E	3	20	3	30	5896	73	8	22.24	1605	273	-7	E	7	30	2	120
5857	73	8	8.47	1604	95	-35	E	3	20	2	30	5897	73	8	22.24	1605	93	-8	W	3	10	2	30
5858	73	8	8.47	1604	275	-2	W	8	60	3	270	5898	73	8	22.24	1605	93	+25	W	1	10	2	10
5859	73	8	8.47	1604	275	+7	W	2	25	3	40	5899	73	8	22.24	1605	93	+29	W	2	20	2	25
5860	73	8	8.47	1604	275	+21	W	2	25	3	30	5900	73	8	22.24	1605	93	+47	W	3	30	2	50
5861	73	8	8.47	1604	275	+38	W	5	20	3	50	5901	73	8	22.24	1605	93	+54	W	2	25	2	50
5862	73	8	10.29	1605	71	+26	E	3	15	2	35	5902	73	8	23.38	1605	258	+26	E	2	20	3	30
5863	73	8	10.29	1605	71	-25	E	3	25	3	70	5903	73	8	23.38	1605	258	-41	E	2	35	2	50
5864	73	8	10.29	1605	251	-37	E	3	20	2	20	5904	73	8	23.38	1605	78	-81	W	2	20	2	25
5865	73	8	10.29	1605	251	-49	W	3	40	3	70	5905	73	8	23.38	1605	78	-35	W	2	15	2	25
5866	73	8	10.29	1605	251	-46	W	2	30	3	30	5906	73	8	23.38	1605	78	-7	W	8	30	2	90
5867	73	8	10.29	1605	251	+12	W	3	50	2	40	5907	73	8	23.38	1605	78	+2	W	2	15	2	25
5868	73	8	10.29	1605	251	+31	W	2	40	3	80	5908	73	8	23.38	1605	78	+27	W	3	30	3	80
5869	73	8	10.29	1605	251	+49	W	2	90	2	150	5909	73	8	23.38	1605	78	+50	W	1	25	2	20
5870	73	8	10.29	1605	251	+52	W	1	30	2	50	5910	73	8	23.38	1605	78	+56	W	3	20	2	35

TABLE 1 CONTINUED

TABLE 1 CONTINUED

5911 73	8	24.31	1605	245	+18 E	1	10	2	10	5951 73	9	5.22	1606	88	+39 E	1	40	1	30
5912 73	8	24.31	1605	245	+15 E	1	10	2	10	5952 73	9	5.22	1606	88	0 E	1	20	1	15
5913 73	8	24.31	1605	245	-2 E	1	15	2	15	5953 73	9	5.22	1606	88	-4 E	1	20	1	15
5914 73	8	24.31	1605	245	-4 E	4	20	2	45	5954 73	9	5.22	1606	88	-21 E	1	50	2	40
5915 73	8	24.31	1605	245	-53 E	2	10	2	20	5955 73	9	5.22	1606	268	-22 W	2	40	1	30
5916 73	8	24.31	1605	65	-5 W	7	80	2	350	5956 73	9	5.22	1606	268	-15 W	1	40	1	25
5917 73	8	24.31	1605	65	+31 W	2	15	2	20	5957 73	9	5.22	1606	268	+16 W	4	20	2	45
5918 73	8	24.31	1605	65	+33 W	2	10	2	25	5958 73	9	5.22	1606	268	+34 W	2	20	1	20
5919 73	8	25.32	1605	232	-69 E	1	40	2	35	5959 73	9	6.25	1606	75	+89 E	1	20	1	20
5920 73	8	25.32	1605	52	-4 W	12	110	2	690	5960 73	9	6.25	1606	75	+57 E	1	30	2	25
5921 73	8	26.50	1605	217	+87 E	16	80	1	110	5961 73	9	6.25	1606	75	+48 E	1	10	2	20
5922 73	8	26.50	1605	217	+25 E	3	20	2	55	5962 73	9	6.25	1606	75	+33 E	6	10	2	50
5923 73	8	26.50	1605	37	+21 W	2	10	2	15	5963 73	9	6.25	1606	75	+19 E	1	60	2	40
5924 73	8	26.50	1605	37	+2 W	16	45	2	190	5964 73	9	6.25	1606	75	-68 E	4	30	1	35
5925 73	8	26.50	1605	37	+21 W	2	30	2	50	5965 73	9	6.25	1606	75	-83 E	5	30	1	35
5926 73	8	27.27	1605	206	+60 E	1	20	2	20	5966 73	9	6.25	1606	255	-14 W	1	10	2	10
5927 73	8	27.27	1605	206	+33 E	1	40	2	30	5967 73	9	6.25	1606	255	+6 W	4	30	2	30
5928 73	8	27.27	1605	206	+23 E	1	20	1	15	5968 73	9	6.25	1606	255	+18 W	3	10	2	25
5929 73	8	27.27	1605	206	+62 E	1	30	2	20	5969 73	9	7.30	1606	61	+53 E	1	10	2	10
5930 73	8	27.27	1605	26	-20 W	1	40	2	20	5970 73	9	7.30	1606	61	-4 E	4	40	2	40
5931 73	8	27.27	1605	26	+23 W	1	25	2	20	5971 73	9	7.30	1606	61	+16 E	6	50	3	130
5932 73	8	27.27	1605	26	+27 W	2	20	2	35	5972 73	9	7.30	1606	61	-29 E	5	20	2	35
5933 73	8	28.24	1605	194	-18 E	3	20	2	35	5973 73	9	7.30	1606	241	-42 W	5	50	2	80
5934 73	8	28.24	1605	194	-56 E	3	15	2	35	5974 73	9	7.30	1606	241	-56 W	4	30	2	90
5935 73	8	28.24	1605	14	-43 W	2	20	3	30	5975 73	9	7.30	1606	241	-18 W	1	50	1	50
5936 73	9	4.58	1605	97	+74 E	1	10	1	10	5976 73	9	7.30	1606	241	-11 W	1	30	2	20
5937 73	9	4.58	1605	97	+87 E	1	10	1	10	5977 73	9	7.30	1606	241	+37 W	2	40	1	60
5938 73	9	4.58	1605	97	+55 E	2	20	1	15	5978 73	9	7.30	1606	241	+51 W	1	10	2	10
5939 73	9	4.58	1605	97	+27 E	1	20	2	20	5979 73	9	8.39	1606	226	+7 W	1	20	2	10
5940 73	9	4.58	1605	97	+15 E	1	20	2	20	5980 73	9	8.39	1606	226	+12 W	4	20	2	36
5941 73	9	4.58	1605	97	-17 E	2	50	3	80	5981 73	9	8.39	1606	226	+29 W	1	10	2	10
5942 73	9	4.58	1605	97	-57 E	1	50	1	35	5982 73	9	9.27	1606	35	+19 E	2	15	2	25
5943 73	9	4.58	1605	277	-48 W	2	30	1	50	5983 73	9	9.27	1606	215	-32 W	2	60	2	70
5944 73	9	4.58	1605	277	-33 W	2	30	2	40	5984 73	9	9.27	1606	215	+22 W	4	20	3	50
5945 73	9	4.58	1605	277	-13 W	4	50	3	90	5985 73	9	9.27	1606	215	+41 W	2	30	3	40
5946 73	9	4.58	1605	277	-6 W	4	20	2	25	5986 73	9	11.29	1606	188	+31 W	1	15	2	15
5947 73	9	4.58	1605	277	+13 W	8	20	2	60	5987 73	9	13.60	1606	338	-1 E	5	30	2	40
5948 73	9	4.58	1605	277	+27 W	2	10	2	15	5988 73	9	13.60	1606	338	+5 E	2	25	2	30
5949 73	9	4.58	1605	277	+32 W	2	10	2	15	5989 73	9	13.60	1606	158	-1 W	4	40	2	65
5950 73	9	5.22	1606	88	+58 E	2	30	2	40	5990 73	9	15.28	1606	315	+29 E	5	50	3	130

TABLE 1 CONTINUED

TABLE 1 CONTINUED

5991 73	9	15.28	1606	135	-19 W	3	40	3	55	6031 73	12	4.49	1609	337	+39 E	3	25	1	40
5992 73	9	15.28	1606	135	+12 W	4	40	2	55	6032 73	12	4.49	1609	337	+31 E	1	30	1	30
5993 73	9	15.28	1606	135	+18 W	1	20	2	15	6033 73	12	4.49	1609	337	-15 E	2	60	1	80
5994 73	9	15.28	1606	135	+28 W	1	10	2	10	6034 73	12	4.49	1609	157	-40 W	1	10	2	10
5995 73	9	16.25	1606	303	+23 E	4	30	1	45	6035 73	12	4.49	1609	157	-32 W	2	10	1	15
5996 73	9	16.25	1606	303	+26 E	2	25	2	30	6036 73	12	4.49	1609	157	-14 W	1	10	1	10
5997 73	9	16.25	1606	303	+9 E	3	50	2	75	6037 73	12	4.49	1609	157	+12 W	4	30	2	40
5998 73	9	16.25	1606	303	-7 E	2	20	2	25	6038 73	12	4.49	1609	157	+24 W	2	35	2	50
5999 73	9	16.25	1606	123	-18 W	5	15	2	55	6039 73	12	4.49	1609	157	+46 W	1	10	2	10
6000 73	9	16.25	1606	123	+15 W	6	75	2	220	6040 73	12	10.34	1609	260	+10 E	1	10	1	10
6001 73	9	16.25	1606	123	+36 W	1	30	2	20	6041 73	12	10.34	1609	260	-36 E	2	10	2	20
6002 73	9	18.26	1606	276	+33 E	5	20	3	80	6042 73	12	23.46	1610	86	+48 E	2	10	2	20
6003 73	9	18.26	1606	276	-8 E	1	50	2	40	6043 73	12	23.46	1610	86	+14 E	2	50	2	70
6004 73	9	18.26	1606	276	-23 E	5	40	2	50	6044 73	12	23.46	1610	86	-13 E	2	85	1	60
6005 73	9	18.26	1606	276	-55 E	1	40	2	50	6045 73	12	23.46	1610	86	-24 E	2	20	2	30
6006 73	9	18.26	1606	276	-87 E	1	40	2	40	6046 73	12	23.46	1610	266	+10 W	3	20	2	30
6007 73	9	18.26	1606	96	-69 W	1	10	2	10	6047 73	12	24.36	1610	75	+17 E	4	40	2	70
6008 73	9	18.26	1606	96	-32 W	4	30	2	70	6048 73	12	24.36	1610	75	-23 E	1	60	2	50
6009 73	9	18.26	1606	96	-16 W	4	20	2	40	6049 73	12	24.36	1610	255	+39 W	2	15	2	30
6010 73	9	18.26	1606	96	-4 W	1	25	2	35	6050 73	12	24.36	1610	255	+26 W	3	10	2	30
6011 73	9	19.24	1606	263	+33 E	3	10	2	25	6051 73	12	24.36	1610	255	+35 W	2	10	2	20
6012 73	9	19.24	1606	263	-13 E	3	15	2	30	6052 73	12	24.36	1610	255	+41 W	2	10	2	20
6013 73	9	19.24	1606	263	-19 E	3	15	2	35	6053 73	12	28.36	1610	22	+14 E	5	20	2	70
6014 73	9	19.24	1606	263	-23 E	1	20	2	20	6054 73	12	28.36	1610	22	-57 E	5	30	3	120
6015 73	9	19.24	1606	263	+33 E	1	70	2	35	6055 73	12	31.47	1610	161	-87 W	1	50	2	30
6016 73	9	19.24	1606	263	-51 E	2	20	2	20	6056 73	12	31.47	1610	161	-31 W	4	30	2	70
6017 73	9	19.24	1606	83	+1 W	1	15	2	15	6057 73	12	31.47	1610	161	+23 W	1	80	1	80
6018 73	9	19.24	1606	83	+33 W	6	30	2	70	6058 74	1	7.36	1610	250	+29 E	3	20	3	50
6019 73	9	21.38	1606	235	+35 E	3	20	2	60	6059 74	1	7.36	1610	250	+1 E	3	10	1	30
6020 73	9	21.38	1606	235	+28 E	4	20	2	70	6060 74	1	7.36	1610	250	-5 E	1	10	2	15
6021 73	9	21.38	1606	55	+4 W	3	30	2	50	6061 74	1	7.36	1610	250	-30 E	3	20	1	30
6022 73	9	23.32	1606	209	+33 E	3	30	2	50	6062 74	1	7.36	1610	250	-37 E	3	20	1	35
6023 73	9	23.32	1606	29	+59 W	2	10	2	20	6063 74	1	7.36	1610	70	-45 W	9	30	2	90
6024 73	9	29.56	1606	127	+5 E	2	35	2	40	6064 74	1	7.36	1610	70	-9 W	1	20	2	20
6025 73	9	29.56	1606	127	-23 E	1	20	1	20	6065 74	1	7.36	1610	70	+2 W	2	20	2	15
6026 73	9	29.56	1606	307	+12 W	2	30	1	50	6066 74	1	7.36	1610	70	+17 W	5	60	3	90
6027 73	9	29.56	1606	307	+31 W	2	30	1	30	6067 74	1	7.36	1610	70	+41 W	2	10	2	20
6028 73	9	30.31	1606	117	+8 E	9	50	1	50	6068 74	1	9.36	1610	223	+4 E	1	20	1	20
6029 73	9	30.31	1606	117	-23 E	2	10	3	20	6069 74	1	9.36	1610	223	-24 E	3	20	2	35
6030 73	9	30.31	1606	297	-25 W	4	30	1	35	6070 74	1	9.36	1610	223	-49 E	2	10	3	20

TABLE 1 CONTINUED

TABLE 1 CONTINUED

6071	74	1	9.36	1610	43	-44	W	12	20	2	130	6111	74	2	2.32	1611	267	+35	E	3	30	2	40
6072	74	1	9.36	1610	43	+44	W	7	30	3	120	6112	74	2	2.32	1611	267	+24	E	2	25	2	30
6073	74	1	10.50	1610	208	+28	E	3	20	3	30	6113	74	2	2.32	1611	267	-12	E	3	15	2	40
6074	74	1	10.50	1610	208	-46	E	3	20	3	30	6114	74	2	2.32	1611	267	-36	E	15	60	1	250
6075	74	1	10.50	1610	28	+41	W	8	20	2	100	6115	74	2	2.32	1611	87	-33	W	6	30	1	100
6076	74	1	11.34	1610	197	+34	E	17	60	2	180	6116	74	2	2.32	1611	87	-5	W	5	40	1	140
6077	74	1	11.34	1610	197	-14	E	3	50	1	50	6117	74	2	7.45	1611	199	+42	E	1	20	1	20
6078	74	1	11.34	1610	197	-25	E	1	30	3	50	6118	74	2	7.45	1611	199	-7	E	1	50	1	50
6079	74	1	11.34	1610	197	-46	E	2	15	3	30	6119	74	2	7.45	1611	199	-30	E	4	15	1	40
6080	74	1	11.34	1610	17	-40	W	3	10	3	25	6120	74	2	7.45	1611	199	-60	E	7	30	1	80
6081	74	1	11.34	1610	17	+43	W	6	20	2	40	6121	74	2	7.45	1611	19	-88	W	1	25	1	30
6082	74	1	13.35	1610	171	+39	E	17	70	2	260	6122	74	2	7.45	1611	19	-75	W	1	20	1	20
6083	74	1	13.35	1610	171	+11	E	2	20	3	25	6123	74	2	7.45	1611	19	-46	W	12	40	2	280
6084	74	1	13.35	1610	171	+1	E	5	15	2	30	6124	74	2	7.45	1611	19	+48	W	5	30	1	70
6085	74	1	13.35	1610	171	-10	E	4	15	2	45	6125	74	2	10.55	1611	158	+60	E	11	50	2	240
6086	74	1	13.35	1610	171	-16	E	1	20	1	20	6126	74	2	10.55	1611	158	+1	E	1	60	2	60
6087	74	1	13.35	1610	171	-32	E	1	60	2	35	6127	74	2	10.55	1611	158	-7	E	8	45	2	170
6088	74	1	13.35	1610	171	-40	E	5	30	2	70	6128	74	2	10.55	1611	338	-40	W	3	20	2	40
6089	74	1	13.35	1610	351	+27	W	1	30	1	30	6129	74	2	10.55	1611	338	-35	W	3	20	2	40
6090	74	1	22.35	1611	52	+42	E	3	50	1	60	6130	74	2	10.55	1611	338	+26	W	1	20	2	20
6091	74	1	22.35	1611	52	+75	E	4	20	1	40	6131	74	2	10.55	1611	338	+33	W	3	50	2	70
6092	74	1	22.35	1611	52	+3	E	4	30	3	70	6132	74	2	12.36	1611	135	+48	E	3	30	2	50
6093	74	1	22.35	1611	52	-19	E	2	20	1	30	6133	74	2	12.36	1611	135	-36	E	5	30	1	120
6094	74	1	22.35	1611	52	-85	E	7	25	3	95	6134	74	2	12.36	1611	135	-41	E	2	40	1	120
6095	74	1	22.35	1611	232	-3	W	1	35	1	30	6135	74	2	12.36	1611	315	+21	W	2	30	1	30
6096	74	1	22.35	1611	232	+31	W	7	20	3	45	6136	74	3	4.51	1612	229	+58	E	1	30	2	10
6097	74	1	22.35	1611	232	+58	W	1	20	2	20	6137	74	3	4.51	1612	229	+53	E	1	10	2	10
6098	74	1	22.35	1611	232	+69	W	3	15	2	30	6138	74	3	4.51	1612	229	+43	E	6	30	2	110
6099	74	1	22.35	1611	232	+79	W	3	45	2	60	6139	74	3	4.51	1612	229	+12	E	1	60	1	60
6100	74	1	22.35	1611	232	+86	W	1	25	2	25	6140	74	3	4.51	1612	229	-5	E	6	20	2	70
6101	74	1	27.45	1611	345	-13	E	1	15	1	15	6141	74	3	4.51	1612	229	-16	E	6	20	3	60
6102	74	1	27.45	1611	165	-76	W	1	20	2	20	6142	74	3	4.51	1612	229	-24	E	1	20	3	20
6103	74	1	27.45	1611	165	-44	W	7	35	1	55	6143	74	3	4.51	1612	229	-43	E	2	20	3	20
6104	74	1	27.45	1611	165	-36	W	100	2	100	6144	74	3	4.51	1612	49	-16	W	2	15	2	30	
6105	74	1	27.45	1611	165	+7	W	2	15	3	35	6145	74	3	4.51	1612	49	-7	W	1	50	1	35
6106	74	1	27.45	1611	165	+66	W	4	20	2	65	6146	74	3	4.51	1612	49	+34	W	3	20	3	40
6107	74	1	27.45	1611	165	+75	W	1	20	2	15	6147	74	3	4.51	1612	49	+46	W	3	20	2	30
6108	74	1	29.32	1611	320	+12	E	3	50	2	40	6148	74	3	6.37	1612	204	+47	E	3	20	2	50
6109	74	1	29.32	1611	320	-25	E	1	50	1	45	6149	74	3	6.37	1612	204	-26	E	2	20	2	35
6110	74	1	29.32	1611	320	-39	E	3	15	2	30	6150	74	3	6.37	1612	204	-33	E	1	10	2	10

TABLE 1 CONTINUED

TABLE 1 CONTINUED

6151	74	3	6.37	1612	204	-43	E	1	30	1	25	6191	74	4	3.44	1613	14	+38	W	4	20	2	50
6152	74	3	6.37	1612	24	+15	W	1	40	1	20	6192	74	4	3.44	1613	14	+84	W	1	15	3	15
6153	74	3	6.37	1612	24	+29	W	1	20	1	20	6193	74	4	4.24	1613	183	+78	E	1	20	3	10
6154	74	3	9.44	1612	164	+37	E	10	30	3	130	6194	74	4	4.24	1613	183	+28	E	1	50	1	70
6155	74	3	9.44	1612	164	-10	E	1	30	2	20	6195	74	4	4.24	1613	183	-16	E	5	20	3	70
6156	74	3	9.44	1612	164	-20	E	5	70	3	100	6196	74	4	4.24	1613	183	+29	E	2	20	1	35
6157	74	3	9.44	1612	164	-28	E	5	40	3	130	6197	74	4	4.24	1613	3	-41	W	2	20	2	30
6158	74	3	14.28	1612	100	+51	E	3	20	2	40	6198	74	4	4.24	1613	3	-11	W	2	20	1	25
6159	74	3	14.28	1612	100	-42	E	1	35	2	25	6199	74	4	4.24	1613	3	+25	W	2	25	3	30
6160	74	3	14.28	1612	280	-42	W	3	15	2	40	6200	74	4	4.24	1613	3	+37	W	5	30	3	60
6161	74	3	14.28	1612	280	-37	W	3	20	2	30	6201	74	4	4.24	1613	3	+72	W	1	15	3	15
6162	74	3	14.28	1612	280	+32	W	4	30	2	50	6202	74	4	5.25	1613	170	-12	E	8	20	3	120
6163	74	3	14.28	1612	280	+42	W	6	50	2	130	6203	74	4	5.25	1613	170	-23	E	3	50	3	70
6164	74	3	16.48	1613	71	+31	E	1	40	1	35	6204	74	4	5.25	1613	170	-33	E	2	60	3	110
6165	74	3	16.48	1613	71	+19	E	4	40	1	70	6205	74	4	5.25	1613	350	-40	W	2	20	2	30
6166	74	3	16.48	1613	251	-36	W	11	50	2	140	6206	74	4	5.25	1613	350	+16	W	5	20	2	65
6167	74	3	16.48	1613	251	-1	W	10	50	2	170	6207	74	4	5.25	1613	350	+26	W	7	20	2	50
6168	74	3	16.48	1613	251	+21	W	1	15	2	15	6208	74	4	6.25	1613	157	+39	E	3	30	1	30
6169	74	3	16.48	1613	251	+58	W	8	60	2	150	6209	74	4	6.25	1613	157	0	E	1	30	2	25
6170	74	3	17.49	1613	57	+3	E	3	40	2	65	6210	74	4	6.25	1613	157	-9	E	2	20	2	25
6171	74	3	17.49	1613	57	-29	E	3	25	3	50	6211	74	4	6.25	1613	157	-18	E	5	20	2	60
6172	74	3	17.49	1613	237	-10	W	3	20	2	40	6212	74	4	6.25	1613	157	-36	E	2	30	3	220
6173	74	3	17.49	1613	237	+49	W	1	30	3	25	6213	74	4	6.25	1613	337	-19	W	2	30	1	40
6174	74	3	21.27	1613	7	+65	E	5	30	3	80	6214	74	4	6.25	1613	337	+13	W	1	20	1	15
6175	74	3	21.27	1613	7	+26	E	4	20	2	60	6215	74	4	6.25	1613	337	+21	W	7	30	1	50
6176	74	3	21.27	1613	7	-9	E	1	20	3	20	6216	74	4	6.25	1613	337	+66	W	7	30	3	70
6177	74	3	21.27	1613	187	-42	W	1	30	3	30	6217	74	4	9.51	1613	113	+21	E	1	40	2	40
6178	74	3	21.27	1613	187	+29	W	2	20	2	20	6218	74	4	9.51	1613	113	+12	E	5	20	2	60
6179	74	3	28.31	1613	275	+44	E	1	30	3	35	6219	74	4	9.51	1613	113	+4	E	1	30	1	25
6180	74	3	28.31	1613	275	+33	E	1	40	1	35	6220	74	4	9.51	1613	293	-45	W	5	30	3	90
6181	74	3	28.31	1613	275	-42	E	7	20	3	80	6221	74	4	9.51	1613	293	-31	W	1	45	1	35
6182	74	3	28.31	1613	95	-19	W	1	25	2	30	6222	74	4	9.51	1613	293	+22	W	1	20	2	20
6183	74	3	28.31	1613	95	-11	W	1	60	1	45	6223	74	4	9.51	1613	293	+35	W	1	20	2	20
6184	74	3	28.31	1613	95	+12	W	1	20	1	20	6224	74	4	9.51	1613	293	+42	W	1	25	1	25
6185	74	3	28.31	1613	95	+16	W	1	50	1	20	6225	74	4	10.25	1613	104	+21	E	2	75	3	90
6186	74	3	28.31	1613	95	+47	W	4	60	3	90	6226	74	4	10.25	1613	104	-9	E	2	20	1	30
6187	74	4	3.44	1613	194	-35	E	4	30	2	60	6227	74	4	10.25	1613	104	-22	E	1	10	1	20
6188	74	4	3.44	1613	194	-68	E	7	20	2	90	6228	74	4	10.25	1613	104	-43	E	1	10	1	15
6189	74	4	3.44	1613	14	-21	W	1	10	2	10	6229	74	4	10.25	1613	104	-50	E	1	10	1	10
6190	74	4	3.44	1613	14	+19	W	4	30	2	60	6230	74	4	10.25	1613	284	-45	W	5	50	3	120

TABLE 1 CONTINUED

TABLE 1 CONTINUED

6231 74	4	10.25	1613	284	+10 W	7	50	2	80	6271 74	5	19.25	1615	129	+2 W	3	20	2	40
6232 74	4	10.25	1613	284	+10 W	1	15	1	15	6272 74	5	19.25	1615	129	+16 W	2	10	1	20
6233 74	4	10.25	1613	284	+19 W	1	20	1	10	6273 74	5	19.25	1615	129	+37 W	5	35	3	100
6234 74	4	10.25	1613	284	+28 W	2	10	2	15	6274 74	5	20.25	1615	296	+42 E	1	20	2	30
6235 74	4	10.25	1613	284	+34 W	1	45	1	40	6275 74	5	20.25	1615	296	+43 E	5	30	3	65
6236 74	4	10.25	1613	284	+39 W	1	45	2	40	6276 74	5	20.25	1615	116	+16 W	5	40	2	50
6237 74	4	11.26	1614	90	+45 E	2	10	2	20	6277 74	5	20.25	1615	116	+47 W	2	10	2	20
6238 74	4	11.26	1614	90	+24 E	19	75	2	340	6278 74	5	28.50	1615	187	+26 E	4	90	2	240
6239 74	4	11.26	1614	90	+4 E	10	30	2	140	6279 74	5	28.50	1615	187	+9 E	3	20	2	65
6240 74	4	11.26	1614	270	+87 W	2	20	2	30	6280 74	5	28.50	1615	187	+15 E	7	80	3	190
6241 74	4	11.26	1614	270	+36 W	4	50	2	130	6281 74	5	28.50	1615	7	+25 W	1	45	2	45
6242 74	4	11.26	1614	270	+50 W	2	35	2	55	6282 74	5	28.50	1615	7	+35 W	10	90	2	510
6243 74	4	11.26	1614	270	-2 W	4	45	2	80	6283 74	5	30.53	1615	160	+32 E	6	50	3	145
6244 74	4	14.28	1614	51	+89 E	1	20	2	15	6284 74	5	30.53	1615	160	+12 E	7	55	1	110
6245 74	4	14.28	1614	51	+80 E	1	60	1	40	6285 74	5	30.53	1615	160	+92 E	1	20	2	20
6246 74	4	14.28	1614	51	+59 E	1	30	1	30	6286 74	5	30.53	1615	340	+75 W	2	20	2	30
6247 74	4	14.28	1614	51	+38 E	1	25	1	25	6287 74	5	30.53	1615	340	+24 W	7	20	2	65
6248 74	4	14.28	1614	51	+3 E	4	45	3	130	6288 74	6	3.18	1615	112	+41 E	5	20	2	70
6249 74	4	14.28	1614	51	+11 E	1	30	2	30	6289 74	6	3.18	1615	112	+16 E	10	60	2	230
6250 74	4	14.28	1614	231	+46 W	5	50	2	80	6290 74	6	3.18	1615	292	+44 W	2	20	1	30
6251 74	5	9.37	1615	79	+3 E	1	30	2	35	6291 74	6	3.18	1615	292	+5 W	1	20	1	15
6252 74	5	9.37	1615	79	+11 E	1	20	2	35	6292 74	6	3.18	1615	292	+40 W	1	20	2	15
6253 74	5	9.37	1615	79	+18 E	6	50	2	110	6293 74	6	5.17	1616	86	+55 E	1	15	1	30
6254 74	5	9.37	1615	79	+27 E	3	30	2	70	6294 74	6	5.17	1616	266	+46 W	14	40	2	190
6255 74	5	9.37	1615	259	+45 W	1	10	1	15	6295 74	6	5.17	1616	266	+26 W	1	20	2	15
6256 74	5	18.52	1615	319	+15 E	1	35	1	30	6296 74	6	6.30	1616	251	+40 W	2	20	2	50
6257 74	5	18.52	1615	319	-6 E	1	55	1	55	6297 74	6	6.30	1616	251	+30 W	1	10	2	10
6258 74	5	18.52	1615	319	+21 E	1	50	1	45	6298 74	6	16.26	1616	299	+43 E	3	20	2	60
6259 74	5	18.52	1615	319	+43 E	5	50	3	160	6299 74	6	16.26	1616	119	+13 W	8	40	3	160
6260 74	5	18.52	1615	139	+17 W	1	20	2	20	6300 74	6	16.26	1616	119	+39 W	5	45	3	130
6261 74	5	18.52	1615	139	+37 W	4	30	3	60	6301 74	6	18.58	1616	269	+38 E	4	55	2	90
6262 74	5	18.52	1615	139	+42 W	1	20	1	30	6302 74	6	18.58	1616	269	+29 E	5	50	2	200
6263 74	5	19.25	1615	309	+40 E	5	30	2	50	6303 74	6	18.58	1616	269	+10 E	2	60	2	100
6264 74	5	19.25	1615	309	+18 E	1	30	1	30	6304 74	6	18.58	1616	269	+47 E	11	40	2	160
6265 74	5	19.25	1615	309	+9 E	1	30	1	30	6305 74	6	18.58	1616	89	+22 W	5	20	2	60
6266 74	5	19.25	1615	309	-4 E	1	35	1	30	6306 74	6	18.58	1616	89	+15 W	2	30	2	60
6267 74	5	19.25	1615	309	+44 E	4	30	3	100	6307 74	6	18.58	1616	89	+41 W	2	20	2	30
6268 74	5	19.25	1615	129	+39 W	1	25	1	15	6308 74	6	20.54	1616	243	+35 E	1	35	2	30
6269 74	5	19.25	1615	129	+35 W	1	20	2	20	6309 74	6	20.54	1616	243	+42 E	4	15	2	40
6270 74	5	19.25	1615	129	+16 W	6	25	3	90	6310 74	6	20.54	1616	63	+48 W	6	20	1	50

TABLE 1 CONTINUED

6311 74	6	26.21	1616	168	+40 E	1	25	1	15	6351 74	7	31.23	1618	66	+43 E	5	60	2	160
6312 74	6	26.21	1616	168	+35 E	1	40	1	30	6352 74	7	31.23	1618	66	+25 E	3	30	2	50
6313 74	6	26.21	1616	168	+20 E	1	20	1	15	6353 74	7	31.23	1618	66	+11 E	2	30	1	60
6314 74	6	26.21	1616	168	+17 E	1	80	2	150	6354 74	7	31.23	1618	66	+23 E	3	20	3	40
6315 74	6	26.21	1616	348	-38 W	1	30	2	30	6355 74	7	31.23	1618	246	-41 W	20	40	3	330
6316 74	6	26.21	1616	348	-21 W	8	20	3	60	6356 74	7	31.23	1618	246	-18 W	13	40	3	320
6317 74	6	26.21	1616	348	-7 W	3	10	3	30	6357 74	7	31.23	1618	246	+43 W	3	30	1	50
6318 74	6	26.21	1616	348	+43 W	2	20	1	35	6358 74	8	1.20	1618	53	+47 E	5	20	2	80
6319 74	7	3.19	1617	76	+50 E	2	20	1	40	6359 74	8	1.20	1618	53	+22 E	2	30	2	50
6320 74	7	3.19	1617	76	-4 E	1	20	1	15	6360 74	8	1.20	1618	53	+11 E	1	25	1	25
6321 74	7	3.19	1617	76	-14 E	6	40	2	150	6361 74	8	1.20	1618	53	-29 E	3	50	1	45
6322 74	7	3.19	1617	256	-47 W	2	40	1	70	6362 74	8	1.20	1618	233	+17 W	5	20	2	80
6323 74	7	6.24	1617	36	+50 E	3	30	3	75	6363 74	8	1.20	1618	233	+36 W	1	25	1	20
6324 74	7	13.27	1617	303	-39 E	3	30	2	75	6364 74	8	4.22	1618	13	+37 E	4	35	2	90
6325 74	7	13.27	1617	123	-60 W	1	20	2	15	6365 74	8	4.22	1618	13	+8 E	3	50	1	60
6326 74	7	13.27	1617	123	-50 W	2	40	2	60	6366 74	8	4.22	1618	13	-14 E	7	30	2	75
6327 74	7	13.27	1617	123	-4 W	2	10	2	15	6367 74	8	4.22	1618	13	-32 E	1	20	2	20
6328 74	7	13.27	1617	123	+10 W	7	20	2	40	6368 74	8	4.22	1618	193	-14 W	1	120	2	90
6329 74	7	13.27	1617	123	+38 W	4	30	2	75	6369 74	8	4.22	1618	193	+22 W	11	120	2	190
6330 74	7	14.20	1617	291	+43 E	2	40	2	70	6370 74	8	4.22	1618	193	+48 W	1	15	2	15
6331 74	7	14.20	1617	291	+14 E	1	50	2	40	6371 74	8	8.25	1618	320	-32 E	2	50	1	40
6332 74	7	14.20	1617	291	-15 E	1	10	2	10	6372 74	8	8.25	1618	140	-39 W	2	20	1	20
6333 74	7	14.20	1617	291	-42 E	2	50	2	45	6373 74	8	8.25	1618	140	+3 W	1	15	2	15
6334 74	7	14.20	1617	111	-12 W	2	15	1	25	6374 74	8	8.25	1618	140	+33 W	4	15	1	40
6335 74	7	14.20	1617	111	+15 W	2	20	1	35	6375 74	8	13.28	1618	253	+8 E	2	10	2	15
6336 74	7	14.20	1617	111	+39 W	4	30	1	75	6376 74	8	13.28	1618	253	-14 E	2	10	2	20
6337 74	7	16.20	1617	264	+38 E	20	70	2	500	6377 74	8	13.28	1618	73	-27 W	3	40	2	60
6338 74	7	16.20	1617	84	-20 W	5	10	2	50	6378 74	8	13.28	1618	73	+39 W	50	1	40	
6339 74	7	16.20	1617	84	+5 W	8	50	1	160	6379 74	8	18.35	1618	187	+47 E	2	70	1	80
6340 74	7	16.20	1617	84	+42 W	5	20	2	60	6380 74	8	18.35	1618	187	+34 E	3	20	1	40
6341 74	7	30.25	1618	79	+41 E	3	30	2	90	6381 74	8	18.35	1618	187	+7 E	2	20	2	30
6342 74	7	30.25	1618	79	+29 E	4	20	1	60	6382 74	8	18.35	1618	187	-17 E	22	100	3	560
6343 74	7	30.25	1618	79	+5 E	5	20	1	90	6383 74	8	18.35	1618	187	-31 E	2	40	1	60
6344 74	7	30.25	1618	79	-12 E	4	30	1	50	6384 74	8	18.35	1618	187	-55 E	4	20	1	60
6345 74	7	30.25	1618	79	-23 E	9	30	2	160	6385 74	8	18.35	1618	7	-36 W	10	30	2	190
6346 74	7	30.25	1618	259	-70 W	1	20	1	20	6386 74	8	18.35	1618	7	-14 W	6	40	1	100
6347 74	7	30.25	1618	259	-45 W	9	30	1	110	6387 74	8	18.35	1618	7	+1 W	3	30	2	50
6348 74	7	30.25	1618	259	-16 W	8	20	1	90	6388 74	8	18.35	1618	7	+29 W	3	20	1	40
6349 74	7	30.25	1618	259	+42 W	5	20	1	70	6389 74	8	18.35	1618	7	+33 W	2	10	1	20
6350 74	7	30.25	1618	259	+53 W	2	10	2	10	6390 74	8	18.35	1618	7	+39 W	5	30	1	30

TABLE 1 CONTINUED

TABLE 1 CONTINUED

6391 74	8	24.38	1618	107	+36 E	6	20	1	70	6431 74	9	7.30	1619	103	+53 W	1	10	1	10	1	10	
6392 74	8	24.38	1618	107	+18 E	12	30	2	180	6432 74	9	8.29	1619	270	+23 E	1	20	2	30	1	30	
6393 74	8	24.38	1618	107	-12 E	3	20	1	40	6433 74	9	8.29	1619	270	+12 E	3	10	1	30	1	30	
6394 74	8	24.38	1618	287	+38 W	5	80	2	220	6434 74	9	8.29	1619	270	+ 8 E	2	10	1	20	1	20	
6395 74	8	26.32	1619	81	+49 E	2	60	1	80	6435 74	9	8.29	1619	270	+ 5 E	2	10	1	20	1	20	
6396 74	9	3.30	1619	336	+43 E	6	30	1	100	6436 74	9	8.29	1619	270	0 E	5	20	1	60	1	60	
6397 74	9	3.30	1619	336	+23 E	5	80	1	140	6437 74	9	8.29	1619	90	-41 W	3	10	2	30	1	30	
6398 74	9	3.30	1619	336	-28 E	35	90	1	870	6438 74	9	8.29	1619	90	-27 W	1	10	2	10	2	10	
6399 74	9	3.30	1619	156	-31 W	13	100	2	490	6439 74	9	8.29	1619	90	+15 W	1	20	1	20	1	20	
6400 74	9	3.30	1619	156	- 5 W	2	20	1	30	6440 74	9	8.29	1619	90	+23 W	4	50	1	120	1	120	
6401 74	9	3.30	1619	156	+28 W	3	50	1	140	6441 74	9	9.26	1619	257	+23 E	2	20	1	30	1	30	
6402 74	9	5.26	1619	310	+43 E	9	60	2	230	6442 74	9	9.26	1619	257	+11 E	7	20	2	100	2	100	
6403 74	9	5.26	1619	310	+32 E	2	20	2	30	6443 74	9	9.26	1619	77	-27 W	3	20	2	40	2	40	
6404 74	9	5.26	1619	310	+ 3 E	2	30	2	50	6444 74	9	11.28	1619	231	+84 E	1	10	2	10	2	10	
6405 74	9	5.26	1619	310	0 E	1	20	2	30	6445 74	9	11.28	1619	231	-46 E	3	10	1	30	1	30	
6406 74	9	5.26	1619	310	- 3 E	2	20	2	30	6446 74	9	11.28	1619	231	-70 E	2	15	1	20	1	20	
6407 74	9	5.26	1619	310	-22 E	6	50	2	220	6447 74	9	11.28	1619	51	+20 W	1	30	1	30	1	30	
6408 74	9	5.26	1619	310	-36 E	2	10	2	20	6448 74	9	12.25	1619	218	+14 E	4	20	3	50	2	50	
6409 74	9	5.26	1619	310	-44 E	5	20	2	80	6449 74	9	12.25	1619	218	- 3 E	12	40	3	260	3	260	
6410 74	9	5.26	1619	130	- 3 W	2	10	2	20	6450 74	9	12.25	1619	38	-35 W	1	4	30	1	90	1	90
6411 74	9	5.26	1619	130	- 1 W	2	10	2	20	6451 74	9	12.25	1619	38	-16 W	2	20	3	30	2	30	
6412 74	9	5.26	1619	130	+12 W	1	10	1	10	6452 74	9	12.25	1619	38	+38 W	2	10	1	20	1	20	
6413 74	9	5.26	1619	130	+34 W	1	20	2	30	6453 74	9	12.25	1619	38	+41 W	1	20	1	20	1	20	
6414 74	9	6.32	1619	296	+30 E	7	45	2	200	6454 74	9	12.25	1619	38	+45 W	2	20	1	30	1	30	
6415 74	9	6.32	1619	296	-20 E	12	90	1	470	6455 74	9	12.25	1619	205	+34 E	2	20	1	30	1	30	
6416 74	9	6.32	1619	296	-73 E	4	20	2	50	6456 74	9	13.26	1619	205	+30 E	2	10	1	20	1	20	
6417 74	9	6.32	1619	116	-48 W	2	20	1	40	6457 74	9	13.26	1619	205	- 5 E	9	30	3	110	3	110	
6418 74	9	6.32	1619	116	- 9 W	2	20	1	30	6458 74	9	13.26	1619	205	-15 E	2	10	2	20	2	20	
6419 74	9	6.32	1619	116	+15 W	1	10	1	10	6459 74	9	13.26	1619	205	-18 E	2	20	2	40	2	40	
6420 74	9	6.32	1619	116	+21 W	1	30	1	30	6460 74	9	13.26	1619	25	-33 W	7	60	1	200	1	200	
6421 74	9	6.32	1619	116	+33 W	1	30	1	30	6461 74	9	13.26	1619	25	-25 W	1	20	1	20	1	20	
6422 74	9	6.32	1619	116	+36 W	1	30	1	30	6462 74	9	13.26	1619	25	-23 W	1	30	1	30	1	30	
6423 74	9	6.32	1619	116	+44 W	2	20	2	30	6463 74	9	13.26	1619	25	+44 W	5	30	2	140	2	140	
6424 74	9	7.30	1619	283	+26 E	5	10	1	50	6464 74	9	16.32	1619	164	-24 E	3	20	2	30	2	30	
6425 74	9	7.30	1619	283	+21 E	1	20	1	20	6465 74	9	16.32	1619	164	-31 E	2	30	2	40	2	40	
6426 74	9	7.30	1619	283	-23 E	6	40	2	140	6466 74	9	16.32	1619	344	-41 W	2	30	2	75	2	75	
6427 74	9	7.30	1619	283	-38 E	7	10	2	70	6467 74	9	16.32	1619	344	-25 W	2	70	2	75	2	75	
6428 74	9	7.30	1619	103	+11 W	1	20	2	30	6468 74	9	16.32	1619	344	-20 W	1	50	1	40	1	40	
6429 74	9	7.30	1619	103	+13 W	1	10	2	10	6469 74	9	16.32	1619	344	+ 5 W	1	10	2	10	2	10	
6430 74	9	7.30	1619	103	+20 W	2	70	2	160	6470 74	9	16.32	1619	344	+12 W	1	10	2	10	2	10	

TABLE 1 CONTINUED

TABLE 1 CONTINUED

TABLE 1 CONTINUED

6551	74	11	16.37	1622	258	+89 W	1	10	2	10	6591	75	1	15.42	1624	6	+28 E	6	60	3	150
6552	74	11	16.37	1622	258	+42 W	3	30	2	70	6592	75	1	15.42	1624	186	+46 W	9	20	3	100
6553	74	11	16.37	1622	258	+5 W	1	15	2	15	6593	75	1	15.42	1624	186	+8 W	7	10	2	70
6554	74	11	16.37	1622	258	+1 W	6	55	2	80	6594	75	1	15.42	1624	186	+22 W	1	20	2	20
6555	74	11	16.37	1622	258	+31 W	3	15	2	30	6595	75	1	15.42	1624	186	+24 W	1	10	2	10
6556	74	11	16.37	1622	258	+39 W	1	30	2	50	6596	75	1	15.42	1624	186	+31 W	4	10	2	40
6557	74	11	16.37	1622	258	+48 W	1	50	2	50	6597	75	1	19.57	1624	311	+48 W	6	45	2	130
6558	74	11	17.36	1622	65	+83 E	1	10	2	10	6598	75	1	19.57	1624	311	+19 E	1	20	1	20
6559	74	11	17.36	1622	65	+43 E	3	20	3	35	6599	75	1	19.57	1624	131	+51 W	2	10	1	20
6560	74	11	17.36	1622	65	+39 E	1	20	3	15	6600	75	1	19.57	1624	131	+21 W	1	10	2	10
6561	74	11	17.36	1622	65	+20 E	1	55	1	30	6601	75	1	19.57	1624	131	+35 W	2	40	2	60
6562	74	11	17.36	1622	65	+16 E	2	60	2	110	6602	75	1	19.57	1624	131	+43 W	3	25	2	50
6563	74	11	24.30	1622	334	+35 E	11	40	2	200	6603	75	1	20.42	1624	300	+49 E	9	70	3	190
6564	74	11	24.30	1622	334	+60 E	1	15	1	10	6604	75	1	20.42	1624	300	+27 E	5	30	1	80
6565	74	11	24.30	1622	334	+82 E	1	80	1	60	6605	75	1	20.42	1624	120	+38 W	1	20	1	15
6566	74	11	24.30	1622	154	+31 W	3	10	1	30	6606	75	1	20.42	1624	120	+36 W	1	15	1	15
6567	74	11	24.30	1622	154	+46 W	3	20	3	40	6607	75	1	20.42	1624	120	+23 W	1	50	1	40
6568	75	1	2.40	1623	178	+23 E	4	20	1	50	6608	75	1	20.42	1624	120	+41 W	2	40	2	50
6569	75	1	2.40	1623	178	+18 E	2	10	2	20	6609	75	1	21.45	1624	286	+48 E	2	50	2	130
6570	75	1	2.40	1623	178	+5 E	1	10	1	10	6610	75	1	21.45	1624	286	+29 E	9	45	2	100
6571	75	1	2.40	1623	178	+1 E	1	20	1	20	6611	75	1	21.45	1624	106	+5 W	4	40	1	50
6572	75	1	2.40	1623	178	+24 E	7	20	1	90	6612	75	1	21.45	1624	106	+24 W	13	30	3	250
6573	75	1	2.40	1623	358	+33 W	6	30	1	70	6613	75	1	21.45	1624	106	+39 W	3	60	3	80
6574	75	1	2.40	1623	358	+3 W	3	20	2	40	6614	75	1	22.59	1624	271	+48 E	6	40	1	85
6575	75	1	2.40	1623	358	+25 W	2	70	1	70	6615	75	1	22.59	1624	271	+42 E	1	20	1	15
6576	75	1	2.40	1623	358	+39 W	13	20	1	130	6616	75	1	22.59	1624	271	+34 E	2	20	1	30
6577	75	1	13.50	1624	31	+56 E	12	60	2	340	6617	75	1	22.59	1624	271	+12 E	1	20	1	20
6578	75	1	13.50	1624	31	+12 E	9	30	2	160	6618	75	1	22.59	1624	91	+25 W	9	30	2	120
6579	75	1	13.50	1624	31	+7 E	2	20	2	30	6619	75	1	27.36	1624	208	+17 E	1	10	2	10
6580	75	1	13.50	1624	31	+1 E	2	20	2	30	6620	75	1	27.36	1624	208	-7 E	2	10	2	25
6581	75	1	13.50	1624	31	-25 E	2	20	2	30	6621	75	1	27.36	1624	208	+17 E	1	45	1	45
6582	75	1	13.50	1624	31	+31 E	7	50	2	210	6622	75	1	27.36	1624	28	+17 W	1	40	2	40
6583	75	1	13.50	1624	211	+12 W	2	10	1	20	6623	75	1	27.36	1624	28	+42 W	2	30	2	50
6584	75	1	13.50	1624	211	+25 W	4	40	1	80	6624	75	1	30.37	1624	168	+23 E	2	20	3	30
6585	75	1	14.33	1624	20	+46 E	12	40	1	240	6625	75	1	30.37	1624	168	+32 E	3	55	2	60
6586	75	1	14.33	1624	20	+24 E	4	30	1	70	6626	75	1	30.37	1624	348	-6 W	1	15	1	15
6587	75	1	14.33	1624	20	+18 E	5	50	1	140	6627	75	1	30.37	1624	348	-2 W	1	10	1	10
6588	75	1	14.33	1624	20	+33 E	7	70	2	230	6628	75	1	30.37	1624	348	+7 W	1	10	1	10
6589	75	1	14.33	1624	200	+33 W	4	20	2	60	6629	75	1	30.37	1624	348	+16 W	1	10	1	10
6590	75	1	15.42	1624	6	+51 E	4	20	2	60	6630	75	1	30.37	1624	348	+29 W	1	20	1	15

TABLE 1 CONTINUED

TABLE 1 CONTINUED

6631	75	1	30.37	1624	348	+39	W	2	10	1	20	6671	75	2	9.36	1625	37	+20	E	3	50	2	90
6632	75	1	31.38	1624	335	+41	W	1	50	1	35	6672	75	2	9.36	1625	217	-41	W	60	1	40	
6633	75	2	1.44	1624	141	+13	E	4	30	2	60	6673	75	2	9.36	1625	217	-8	W	7	20	2	90
6634	75	2	1.44	1624	141	-9	E	2	10	2	20	6674	75	2	9.36	1625	217	+11	W	7	30	2	70
6635	75	2	1.44	1624	141	-33	E	1	30	2	35	6675	75	2	9.36	1625	217	+19	W	1	30	2	30
6636	75	2	1.44	1624	141	-38	E	5	30	2	30	6676	75	2	10.44	1625	22	+44	E	1	40	2	40
6637	75	2	1.44	1624	141	-44	E	1	10	2	10	6677	75	2	10.44	1625	22	+41	E	1	35	2	30
6638	75	2	1.44	1624	321	-18	W	3	90	1	80	6678	75	2	10.44	1625	22	+18	E	9	45	2	120
6639	75	2	1.44	1624	321	+21	W	1	50	1	30	6679	75	2	10.44	1625	22	-33	E	8	50	2	100
6640	75	2	1.44	1624	321	+24	W	40	1	20	6680	75	2	10.44	1625	202	-43	W	70	1	35		
6641	75	2	1.44	1624	321	+47	W	1	10	2	15	6681	75	2	10.44	1625	202	-15	W	2	30	2	50
6642	75	2	1.44	1624	321	+51	W	2	20	2	30	6682	75	2	10.44	1625	202	-11	W	3	30	2	75
6643	75	2	4.35	1624	103	+6	E	8	60	3	20	6683	75	2	10.44	1625	202	+16	W	3	25	2	55
6644	75	2	4.35	1624	103	-1	E	3	50	3	80	6684	75	2	11.32	1625	11	+20	E	9	60	1	90
6645	75	2	4.35	1624	103	-14	E	8	30	3	70	6685	75	2	11.32	1625	11	+20	E	1	40	1	40
6646	75	2	4.35	1624	103	-47	E	3	35	3	85	6686	75	2	11.32	1625	11	-23	E	1	15	1	15
6647	75	2	4.35	1624	283	-28	W	1	50	1	45	6687	75	2	11.32	1625	11	-31	E	5	50	1	65
6648	75	2	4.35	1624	283	-16	W	1	30	2	25	6688	75	2	11.32	1625	191	-44	W	2	40	1	40
6649	75	2	4.35	1624	283	+9	W	1	10	1	10	6689	75	2	11.32	1625	191	-20	W	2	25	2	30
6650	75	2	4.35	1624	283	+15	W	1	10	1	10	6690	75	2	11.32	1625	191	-16	W	1	25	2	25
6651	75	2	4.35	1624	283	+32	W	1	20	1	15	6691	75	2	11.32	1625	191	-11	W	3	20	2	40
6652	75	2	4.35	1624	283	+35	W	1	10	1	10	6692	75	2	11.32	1625	191	+15	W	5	25	2	90
6653	75	2	4.35	1624	283	+47	W	7	60	2	230	6693	75	2	11.32	1625	191	+37	W	7	20	2	50
6654	75	2	5.37	1625	89	+36	E	11	65	2	90	6694	75	2	13.42	1625	343	-12	E	1	75	2	90
6655	75	2	5.37	1625	89	+8	E	7	80	3	220	6695	75	2	13.42	1625	343	-33	E	1	50	1	25
6656	75	2	5.37	1625	89	-11	E	1	20	2	15	6696	75	2	13.42	1625	343	-44	E	80	1	110	
6657	75	2	5.37	1625	89	-22	E	1	15	2	15	6697	75	2	13.42	1625	163	-23	W	6	20	3	100
6658	75	2	5.37	1625	269	-58	W	1	20	2	15	6698	75	2	13.42	1625	163	-10	W	5	20	2	50
6659	75	2	5.37	1625	269	-20	W	1	15	2	15	6699	75	2	13.42	1625	163	+48	W	1	30	2	30
6660	75	2	5.37	1625	269	+7	W	2	35	2	50	6700	75	2	13.42	1625	163	+59	W	30	1	20	
6661	75	2	5.37	1625	269	+45	W	9	50	2	130	6701	75	2	17.34	1625	291	+79	E	1	25	2	30
6662	75	2	6.36	1625	76	+35	E	1	20	2	15	6702	75	2	17.34	1625	291	+66	E	3	40	2	85
6663	75	2	6.36	1625	76	+31	E	1	20	2	15	6703	75	2	17.34	1625	291	+26	E	1	20	2	20
6664	75	2	6.36	1625	76	+18	E	2	95	2	260	6704	75	2	17.34	1625	291	+19	E	3	30	2	40
6665	75	2	6.36	1625	76	+4	E	4	30	2	100	6705	75	2	17.34	1625	291	+13	E	1	40	2	40
6666	75	2	6.36	1625	76	-4	E	2	20	2	30	6706	75	2	17.34	1625	291	+1	E	1	10	1	10
6667	75	2	6.36	1625	256	-40	W	1	20	1	15	6707	75	2	17.34	1625	111	-8	W	1	20	2	15
6668	75	2	6.36	1625	256	-37	W	2	20	1	20	6708	75	2	17.34	1625	111	-3	W	3	35	2	35
6669	75	2	6.36	1625	256	-4	W	1	10	1	15	6709	75	2	21.41	1625	238	+47	E	8	85	2	290
6670	75	2	6.36	1625	256	+40	W	1	15	1	15	6710	75	2	21.41	1625	238	+29	E	2	30	1	45

TABLE 1 CONTINUED

TABLE 1 CONTINUED

6711 75	2	21.41	1625	238	+37 E	1	30	1	40	6751 75	4	2.46	1627	69	+30 E	3	40	1	70
6712 75	2	21.41	1625	58	-23 W	4	40	3	80	6752 75	4	2.46	1627	69	-20 E	6	50	3	180
6713 75	2	21.41	1625	58	+14 W	2	20	2	30	6753 75	4	2.46	1627	249	+6 W	2	30	1	40
6714 75	2	22.36	1625	225	+49 E	9	60	1	300	6754 75	4	2.46	1627	249	+16 W	5	30	2	90
6715 75	2	22.36	1625	225	+31 E	1	35	1	30	6755 75	4	2.46	1627	249	+21 W	4	20	2	50
6716 75	2	22.36	1625	225	+17 E	6	30	2	130	6756 75	4	2.46	1627	249	+48 W	5	30	3	80
6717 75	2	22.36	1625	225	-40 E	1	30	1	20	6757 75	4	9.33	1627	338	-27 E	3	50	2	140
6718 75	2	22.36	1625	225	-63 E	2	10	2	20	6758 75	4	9.33	1627	338	+45 E	2	40	2	50
6719 75	2	22.36	1625	45	+24 W	3	15	2	25	6759 75	4	9.33	1627	158	+31 W	2	30	3	40
6720 75	2	22.36	1625	45	+20 W	1	15	2	15	6760 75	4	9.33	1627	158	-20 W	5	40	3	110
6721 75	2	22.36	1625	45	+43 W	1	30	3	40	6761 75	4	9.33	1627	158	+30 W	5	60	2	170
6722 75	2	23.33	1625	212	+22 E	9	40	2	120	6762 75	4	19.44	1627	205	+50 E	3	25	2	40
6723 75	2	23.33	1625	212	+11 E	5	15	2	55	6763 75	4	19.44	1627	205	+36 E	5	10	2	50
6724 75	2	23.33	1625	212	-11 E	6	55	1	60	6764 75	4	19.44	1627	25	-26 W	2	10	2	20
6725 75	2	23.33	1625	32	+44 W	3	40	2	55	6765 75	4	19.44	1627	25	+29 W	4	20	1	30
6726 75	2	23.33	1625	32	+31 W	4	20	2	30	6766 75	4	19.44	1627	25	+50 W	3	28	2	40
6727 75	2	27.56	1625	156	+40 E	1	40	2	20	6767 75	4	21.45	1627	178	+43 E	2	15	2	30
6728 75	2	27.56	1625	156	+27 E	3	40	3	80	6768 75	4	21.45	1627	178	+24 E	1	50	1	40
6729 75	2	27.56	1625	156	-31 E	5	1	20	20	6769 75	4	21.45	1627	358	+36 W	4	20	2	40
6730 75	2	27.56	1625	156	-48 E	3	40	3	70	6770 75	4	21.45	1627	358	+18 W	2	10	1	20
6731 75	3	1.54	1625	130	+6 E	5	50	1	70	6771 75	4	21.45	1627	358	+26 W	2	20	1	25
6732 75	3	1.54	1625	130	-4 E	1	10	1	10	6772 75	4	21.45	1627	358	+48 W	6	60	2	210
6733 75	3	1.54	1625	130	+4 E	4	20	2	50	6773 75	4	22.26	1627	168	+43 E	1	60	1	30
6734 75	3	1.54	1625	310	-25 W	3	30	1	70	6774 75	4	22.26	1627	168	+27 E	1	60	1	30
6735 75	3	1.54	1625	310	+24 W	1	50	3	50	6775 75	4	22.26	1627	348	+41 W	5	40	2	50
6736 75	3	1.54	1625	310	+44 W	5	30	2	40	6776 75	4	22.26	1627	348	+3 W	2	15	1	15
6737 75	3	2.34	1625	120	+9 E	9	30	3	170	6777 75	4	22.26	1627	348	+16 W	5	20	1	30
6738 75	3	2.34	1625	300	-23 W	2	45	2	50	6778 75	4	22.26	1627	348	+44 W	7	50	3	160
6739 75	3	2.34	1625	300	+22 W	1	40	2	40	6779 75	4	22.26	1627	348	+86 W	1	10	1	10
6740 75	3	2.34	1625	300	+42 W	4	10	2	35	6780 75	4	24.58	1627	137	+23 E	2	30	2	30
6741 75	3	3.46	1625	105	+41 E	100	1	60	1	6781 75	4	24.58	1627	137	-81 E	2	20	2	20
6742 75	3	3.46	1625	105	+35 E	5	20	2	70	6782 75	4	24.58	1627	317	+45 W	3	40	2	40
6743 75	3	3.46	1625	105	+7 E	1	20	2	20	6783 75	4	27.51	1627	98	+10 E	1	10	1	10
6744 75	3	3.46	1625	105	-47 E	2	20	2	30	6784 75	4	27.51	1627	98	+4 E	6	60	1	40
6745 75	3	3.46	1625	285	-23 W	2	30	2	35	6785 75	4	27.51	1627	98	-19 E	30	15	1	20
6746 75	3	3.46	1625	285	+44 W	4	30	2	110	6786 75	4	27.51	1627	278	+40 W	5	20	1	80
6747 75	3	4.45	1626	92	+40 E	1	30	2	25	6787 75	4	28.31	1628	88	+45 E	5	25	2	40
6748 75	3	4.45	1626	92	+33 E	1	30	2	40	6788 75	4	28.31	1628	88	+34 E	1	20	2	20
6749 75	3	4.45	1626	92	+27 E	2	20	2	20	6789 75	4	28.31	1628	88	+13 E	1	35	1	25
6750 75	3	4.45	1626	272	-24 W	1	35	1	20	6790 75	4	28.31	1628	88	+7 E	3	10	1	35

TABLE 1 CONTINUED

TABLE 1 CONTINUED

6791	75	4	28.31	1628	88	-45	E	1	30	1	20	6831	75	5	26.26	1629	79	-28	E	5	30	2	60
6792	75	4	29.28	1628	75	+48	E	1	10	2	10	6832	75	5	26.26	1629	259	-33	W	1	30	2	23
6793	75	4	29.28	1628	75	+44	E	2	20	2	35	6833	75	5	26.26	1629	259	-11	W	3	15	2	25
6794	75	4	29.28	1628	75	+35	E	1	20	2	20	6834	75	5	28.24	1629	53	+45	E	2	15	2	25
6795	75	4	29.28	1628	75	+17	E	1	10	2	10	6835	75	5	28.24	1629	53	+36	E	2	50	2	55
6796	75	4	29.28	1628	75	-51	E	2	10	2	15	6836	75	5	28.24	1629	53	+31	E	1	30	2	30
6797	75	4	29.28	1628	255	+70	W	30	2	20	20	6837	75	5	28.24	1629	233	-70	W	1	30	2	25
6798	75	4	30.30	1628	62	+16	E	80	1	30	30	6838	75	5	28.24	1629	233	-37	W	5	15	2	55
6799	75	5	5.36	1628	355	-38	E	5	60	1	55	6839	75	5	28.24	1629	233	-19	W	1	20	2	20
6800	75	5	5.36	1628	175	-32	W	5	70	2	210	6840	75	5	28.24	1629	233	+41	W	1	10	2	15
6801	75	5	5.36	1628	175	+47	W	4	50	1	120	6841	75	5	29.30	1629	39	+38	E	1	40	2	30
6802	75	5	6.31	1628	342	+48	E	2	20	1	30	6842	75	5	29.30	1629	39	-32	E	3	25	1	75
6803	75	5	6.31	1628	342	-41	E	2	10	1	20	6843	75	5	29.30	1629	219	+5	W	4	40	2	80
6804	75	5	6.31	1628	162	-39	W	2	40	1	40	6844	75	6	3.27	1629	333	-29	E	3	50	2	100
6805	75	5	6.31	1628	162	+46	W	3	25	1	50	6845	75	6	3.27	1629	333	-32	E	1	10	2	10
6806	75	5	12.31	1628	263	+57	E	1	35	1	25	6846	75	6	3.27	1629	153	-39	W	1	20	2	15
6807	75	5	12.31	1628	263	+31	E	1	40	1	20	6847	75	6	3.27	1629	153	-20	W	9	40	2	115
6808	75	5	12.31	1628	83	+39	W	9	55	2	330	6848	75	6	3.27	1629	153	+9	W	1	20	2	15
6809	75	5	21.44	1628	143	+46	E	3	30	2	55	6849	75	6	3.27	1629	153	+26	W	2	20	1	15
6810	75	5	21.44	1628	143	+1	E	1	10	2	10	6850	75	6	3.27	1629	153	+36	W	2	20	2	40
6811	75	5	21.44	1628	143	-16	E	1	10	2	10	6851	75	6	3.27	1629	153	+43	W	1	40	1	40
6812	75	5	21.44	1628	143	-22	E	1	10	2	10	6852	75	6	3.27	1629	153	+50	W	4	20	3	50
6813	75	5	21.44	1628	143	-39	E	2	10	2	15	6853	75	6	13.27	1629	201	+29	E	1	50	1	50
6814	75	5	21.44	1628	143	-34	E	1	20	2	15	6854	75	6	13.27	1629	201	-13	E	1	10	2	10
6815	75	5	21.44	1628	143	-49	E	1	10	1	15	6855	75	6	13.27	1629	21	+18	W	3	10	2	30
6816	75	5	21.44	1628	323	-39	W	5	30	2	80	6856	75	6	13.27	1629	21	+38	W	4	20	2	50
6817	75	5	21.44	1628	323	-10	W	1	10	1	10	6857	75	6	15.49	1629	172	+48	E	1	20	1	25
6818	75	5	21.44	1628	323	+21	W	1	20	1	20	6858	75	6	15.49	1629	172	+27	E	1	10	2	15
6819	75	5	21.44	1628	323	+46	W	3	20	2	50	6859	75	6	15.49	1629	172	+25	E	1	50	2	40
6820	75	5	22.32	1628	131	+45	E	3	20	2	45	6860	75	6	15.49	1629	172	-15	E	1	50	2	50
6821	75	5	22.32	1628	131	+34	E	2	20	2	30	6861	75	6	15.49	1629	172	-26	E	1	20	2	15
6822	75	5	22.32	1628	131	-19	E	1	50	1	40	6862	75	6	15.49	1629	172	-40	E	6	30	2	80
6823	75	5	22.32	1628	131	-37	E	1	30	1	20	6863	75	6	15.49	1629	352	-25	W	1	50	1	35
6824	75	5	22.32	1628	131	-48	E	4	40	2	40	6864	75	6	15.49	1629	352	+19	W	1	30	1	20
6825	75	5	22.32	1628	311	-37	W	6	50	3	130	6865	75	6	15.49	1629	352	+40	W	2	30	2	30
6826	75	5	22.32	1628	311	+47	W	3	10	2	25	6866	75	6	15.49	1629	352	+46	W	3	10	2	30
6827	75	5	26.26	1629	79	+43	E	5	25	3	70	6867	75	6	16.28	1629	161	+21	E	1	30	1	25
6828	75	5	26.26	1629	79	+21	E	1	50	2	30	6868	75	6	16.28	1629	161	+15	E	1	60	1	55
6829	75	5	26.26	1629	79	+12	E	6	40	2	100	6869	75	6	16.28	1629	161	-14	E	1	10	1	10
6830	75	5	26.26	1629	79	-19	E	6	25	2	60	6870	75	6	16.28	1629	161	-36	E	5	70	2	160

TABLE 1 CONTINUED

TABLE 1 CONTINUED

6871 75	6	16.28	1629	341	-33 W	1	50	2	50	6911 75	8	9.24	1631	169	+18 E	1	70	1	100
6872 75	6	16.28	1629	341	+43 W	1	30	2	30	6912 75	8	9.24	1631	169	+12 E	2	30	1	40
6873 75	6	19.24	1629	122	+45 E	5	50	1	110	6913 75	8	9.24	1631	169	-32 E	14	80	2	790
6874 75	6	19.24	1629	122	-37 E	3	20	1	50	6914 75	8	9.24	1631	349	+53 W	2	20	2	30
6875 75	6	19.24	1629	302	+34 W	1	20	1	20	6915 75	8	9.24	1631	349	-25 W	4	30	2	100
6876 75	6	19.24	1629	302	+36 W	1	50	1	45	6916 75	8	9.24	1631	349	+40 W	7	40	2	190
6877 75	6	19.24	1629	302	+41 W	1	20	1	20	6917 75	8	9.24	1631	349	+49 W	4	20	2	60
6878 75	6	19.24	1629	302	+47 W	1	10	1	20	6918 75	8	11.26	1631	143	+41 E	7	120	1	350
6879 75	6	22.36	1630	81	+48 E	4	10	1	40	6919 75	8	11.26	1631	143	-28 E	3	10	2	20
6880 75	6	22.36	1630	81	+25 E	1	20	1	30	6920 75	8	11.26	1631	143	-36 E	10	30	2	230
6881 75	6	22.36	1630	81	-25 E	2	10	1	15	6921 75	8	11.26	1631	323	+47 W	4	20	3	40
6882 75	6	22.36	1630	81	-43 E	1	10	2	15	6922 75	8	11.26	1631	323	-18 W	10	30	2	210
6883 75	6	22.36	1630	81	-47 E	2	20	2	30	6923 75	8	11.26	1631	323	-4 W	4	80	2	120
6884 75	6	22.36	1630	261	-34 W	2	20	1	20	6924 75	8	11.26	1631	323	-12 W	17	60	3	330
6885 75	6	23.26	1630	69	+47 E	2	10	2	20	6925 75	8	11.26	1631	323	+42 W	5	30	2	80
6886 75	6	23.26	1630	69	+12 E	3	10	1	30	6926 75	8	11.26	1631	323	+51 W	3	20	2	40
6887 75	6	23.26	1630	69	+2 E	1	10	1	10	6927 75	8	14.40	1631	101	+46 E	3	40	1	60
6888 75	6	23.26	1630	69	+47 E	2	20	2	30	6928 75	8	14.40	1631	101	+20 E	4	30	1	90
6889 75	6	26.15	1630	31	+48 E	2	20	2	30	6929 75	8	14.40	1631	101	-39 E	2	60	1	70
6890 75	6	26.15	1630	31	-1 E	1	10	2	10	6930 75	8	14.40	1631	101	-45 E	3	10	2	30
6891 75	6	26.15	1630	31	-12 E	1	10	2	10	6931 75	8	14.40	1631	281	-11 W	2	60	1	80
6892 75	6	26.15	1630	31	-31 E	3	30	2	70	6932 75	8	14.40	1631	281	+4 W	9	60	1	160
6893 75	6	26.15	1630	211	-40 W	4	30	1	70	6933 75	8	14.40	1631	281	+20 W	5	50	1	100
6894 75	6	26.15	1630	211	+15 W	2	30	1	40	6934 75	8	14.40	1631	281	+37 W	2	50	1	90
6895 75	6	26.15	1630	211	+30 W	1	50	1	30	6935 75	8	15.25	1632	90	+50 E	1	20	1	30
6896 75	6	27.20	1630	17	-16 E	1	10	2	15	6936 75	8	15.25	1632	90	+46 E	2	30	1	40
6897 75	6	27.20	1630	17	-34 E	3	10	2	30	6937 75	8	15.25	1632	90	+26 E	3	20	1	40
6898 75	6	27.20	1630	197	-37 W	3	70	2	120	6938 75	8	15.25	1632	90	+20 E	3	20	2	40
6899 75	6	27.20	1630	197	+33 W	1	50	1	45	6939 75	8	15.25	1632	90	-45 E	7	30	2	100
6900 75	6	28.20	1630	184	-50 W	2	10	2	20	6940 75	8	15.25	1632	270	-44 W	2	30	2	40
6901 75	6	29.58	1630	346	-31 E	2	20	2	15	6941 75	8	15.25	1632	270	-8 W	2	20	1	30
6902 75	6	29.58	1630	346	-84 E	2	20	2	15	6942 75	8	15.25	1632	270	-4 W	1	20	1	20
6903 75	6	29.58	1630	166	-52 W	1	15	2	15	6943 75	8	15.25	1632	270	0 W	2	20	1	30
6904 75	6	29.58	1630	166	-45 W	2	30	1	35	6944 75	8	15.25	1632	270	+6 W	3	10	1	30
6905 75	6	29.58	1630	166	-1 W	1	20	1	15	6945 75	8	15.25	1632	270	+14 W	5	30	2	60
6906 75	6	29.58	1630	166	+36 W	1	10	2	10	6946 75	8	15.25	1632	270	+30 W	19	90	1	340
6907 75	6	29.58	1630	166	+58 W	1	20	2	15	6947 75	9	2.31	1632	212	+27 E	4	30	2	90
6908 75	6	29.58	1630	166	+65 W	1	50	1	50	6948 75	9	2.31	1632	212	+15 E	3	30	2	80
6909 75	6	29.58	1630	166	+79 W	1	30	1	30	6949 75	9	2.31	1632	212	-18 E	13	25	2	220
6910 75	8	9.24	1631	169	+39 E	6	120	1	300	6950 75	9	2.31	1632	212	+45 E	13	50	2	370

TABLE 1 CONTINUED

TABLE 1 CONTINUED

6951 75	9	2.31	1632	32	-34 W	9	60	2	230	6991 75	9	18.26	1633	181	-19 W	1	20	2	20
6952 75	9	2.31	1632	32	-8 W	1	30	2	40	6992 75	9	18.26	1633	181	+9 W	2	18	1	20
6953 75	9	2.31	1632	32	-2 W	4	20	3	60	6993 75	9	18.26	1633	181	+25 W	12	50	2	300
6954 75	9	2.31	1632	32	+16 W	2	30	1	40	6994 75	9	19.35	1633	347	+49 E	9	80	2	490
6955 75	9	2.31	1632	32	+28 W	4	30	1	100	6995 75	9	19.35	1633	347	-31 E	3	45	1	80
6956 75	9	2.31	1632	32	+48 W	6	30	1	80	6996 75	9	19.35	1633	347	-36 E	5	70	2	120
6957 75	9	8.50	1632	310	+32 W	3	100	2	150	6997 75	9	19.35	1633	167	-35 W	8	75	2	370
6958 75	9	8.50	1632	310	+49 W	3	20	1	40	6998 75	9	19.35	1633	167	-18 W	7	40	3	105
6959 75	9	9.23	1632	120	+53 E	2	20	1	40	6999 75	9	19.35	1633	167	+21 W	5	72	3	230
6960 75	9	9.23	1632	120	+38 E	1	30	1	30	7000 75	9	19.35	1633	167	+35 W	11	55	2	160
6961 75	9	9.23	1632	120	-6 E	2	20	1	30	7001 75	9	20.29	1633	334	+45 E	12	60	3	410
6962 75	9	9.23	1632	300	-47 W	2	20	1	30	7002 75	9	20.29	1633	334	-33 E	6	85	3	300
6963 75	9	9.23	1632	300	-45 W	1	30	1	30	7003 75	9	20.29	1633	334	-41 E	6	42	3	110
6964 75	9	9.23	1632	300	-39 W	1	30	1	30	7004 75	9	20.29	1633	154	-30 W	2	50	3	100
6965 75	9	9.23	1632	300	-32 W	2	70	2	100	7005 75	9	20.29	1633	154	+31 W	9	50	3	200
6966 75	9	9.23	1632	300	-13 W	2	10	1	20	7006 75	9	21.34	1633	320	+48 E	10	25	3	170
6967 75	9	9.23	1632	300	+2 W	2	10	1	20	7007 75	9	21.34	1633	320	+1 E	7	58	2	95
6968 75	9	9.23	1632	300	+26 W	3	30	1	60	7008 75	9	21.34	1633	320	-34 E	1	70	1	50
6969 75	9	9.23	1632	300	+43 W	2	20	3	30	7009 75	9	21.34	1633	320	-39 E	1	62	1	48
6970 75	9	10.25	1632	107	+50 E	7	50	2	150	7010 75	9	23.32	1633	294	+22 E	3	28	3	60
6971 75	9	10.25	1632	107	-4 E	2	30	2	40	7011 75	9	23.32	1633	294	+37 E	8	62	3	280
6972 75	9	10.25	1632	107	-22 E	5	50	1	100	7012 75	9	23.32	1633	114	+10 W	3	10	2	20
6973 75	9	10.25	1632	287	-46 W	6	50	2	170	7013 75	9	23.32	1633	114	+44 W	3	12	2	38
6974 75	9	10.25	1632	287	+1 W	2	10	1	20	7014 75	9	24.27	1633	282	+42 E	4	20	3	80
6975 75	9	10.25	1632	287	+7 W	2	10	1	20	7015 75	9	24.27	1633	282	+32 E	3	20	3	35
6976 75	9	10.25	1632	287	+16 W	3	10	1	30	7016 75	9	24.27	1633	282	+21 E	2	10	2	20
6977 75	9	10.25	1632	287	+21 W	1	40	2	40	7017 75	9	24.27	1633	282	-38 E	5	54	1	135
6978 75	9	10.25	1632	287	+26 W	3	30	1	80	7018 75	9	24.27	1633	102	-29 W	7	44	1	90
6979 75	9	17.32	1633	13	+50 E	2	20	2	30	7019 75	9	24.27	1633	102	+21 W	2	30	2	45
6980 75	9	17.32	1633	13	+27 E	2	25	1	30	7020 75	9	24.27	1633	102	+47 W	4	48	3	100
6981 75	9	17.32	1633	13	-32 E	2	21	1	20	7021 75	9	25.42	1633	267	+40 E	11	75	3	460
6982 75	9	17.32	1633	193	-42 W	5	27	3	110	7022 75	9	25.42	1633	267	-46 E	4	30	3	105
6983 75	9	17.32	1633	193	+15 W	1	48	1	40	7023 75	9	25.42	1633	87	-18 W	14	72	1	280
6984 75	9	17.32	1633	193	+24 W	3	60	2	100	7024 75	9	25.42	1633	87	+5 W	2	30	1	20
6985 75	9	17.32	1633	193	+79 W	2	20	2	30	7025 75	9	25.42	1633	87	+21 W	4	24	3	70
6986 75	9	18.26	1633	1	+50 E	8	50	3	150	7026 75	9	25.42	1633	87	+46 W	1	30	1	25
6987 75	9	18.26	1633	1	+22 E	1	71	1	30	7027 75	9	25.42	1633	87	+51 W	1	32	1	30
6988 75	9	18.26	1633	1	-9 E	1	40	1	25	7028 75	9	27.34	1633	61	-36 W	2	70	2	100
6989 75	9	18.26	1633	181	-40 W	3	52	2	140	7029 75	9	27.34	1633	61	-27 W	5	30	1	75
6990 75	9	18.26	1633	181	-28 W	3	36	1	30	7030 75	9	27.34	1633	61	-2 W	1	10	2	10

TABLE 1 CONTINUED

7031	75	9	27.34	1633	61	+33	W	4	30	1	45	7071	75	10	30.38	1634	165	+22	E	1	10	1	20
7032	75	9	27.34	1633	61	+48	W	5	25	2	70	7072	75	10	30.38	1634	165	+2	E	2	20	1	30
7033	75	9	30.29	1633	202	+65	E	2	45	1	30	7073	75	10	30.38	1634	165	-49	E	13	20	1	180
7034	75	9	30.29	1633	202	+28	E	1	40	1	30	7074	75	10	30.38	1634	345	-34	W	7	60	1	220
7035	75	9	30.29	1633	202	-12	E	12	26	2	105	7075	75	10	30.38	1634	345	-28	W	5	20	1	80
7036	75	9	30.29	1633	202	-30	E	3	38	2	60	7076	75	10	30.38	1634	345	+49	E	14	90	1	690
7037	75	9	30.29	1633	202	-49	E	3	27	1	30	7077	75	11	2.43	1634	125	+49	E	3	10	2	30
7038	75	9	30.29	1633	22	+32	W	1	40	2	35	7078	75	11	2.43	1634	305	-42	W	7	50	2	160
7039	75	9	30.29	1633	22	+48	W	2	30	2	35	7079	75	11	2.43	1634	305	+3	W	4	20	1	60
7040	75	10	16.35	1634	350	+50	E	10	50	2	300	7080	75	11	2.43	1634	305	+31	W	1	10	1	10
7041	75	10	16.35	1634	350	-29	E	10	30	2	180	7081	75	11	4.53	1634	97	+47	E	7	20	2	120
7042	75	10	16.35	1634	170	-38	W	5	50	2	140	7082	75	11	4.53	1634	97	+24	E	5	20	1	80
7043	75	10	16.35	1634	170	+19	W	3	20	2	40	7083	75	11	4.53	1634	97	+4	E	6	20	2	80
7044	75	10	16.35	1634	170	+24	W	2	55	2	60	7084	75	11	4.53	1634	97	-3	E	2	20	1	40
7045	75	10	16.35	1634	170	+32	W	1	30	1	30	7085	75	11	4.53	1634	97	-8	E	7	20	1	80
7046	75	10	16.35	1634	170	+43	W	10	40	1	170	7086	75	11	4.53	1634	277	-41	W	7	50	1	210
7047	75	10	20.32	1634	298	+38	E	2	20	2	30	7087	75	11	4.53	1634	277	+13	W	12	50	3	350
7048	75	10	20.32	1634	298	+18	E	2	10	2	20	7088	75	11	4.53	1634	277	+36	W	17	80	2	680
7049	75	10	20.32	1634	298	+6	E	4	30	2	80	7089	75	11	5.50	1635	84	+45	E	11	40	2	260
7050	75	10	20.32	1634	298	-44	E	5	55	2	180	7090	75	11	5.50	1635	84	+20	E	2	10	1	20
7051	75	10	24.30	1634	245	+37	E	4	90	2	330	7091	75	11	5.50	1635	84	-4	E	4	40	2	100
7052	75	10	24.30	1634	245	+27	E	5	50	3	140	7092	75	11	5.50	1635	84	-13	E	2	30	2	60
7053	75	10	24.30	1634	245	-42	E	6	30	1	90	7093	75	11	5.50	1635	84	-22	E	11	40	2	240
7054	75	10	24.30	1634	65	-33	W	17	80	3	480	7094	75	11	5.50	1635	84	-32	E	3	10	2	30
7055	75	10	24.30	1634	65	-15	W	12	50	2	250	7095	75	11	5.50	1635	264	-40	W	3	30	2	70
7056	75	10	24.30	1634	65	+1	W	5	20	2	50	7096	75	11	5.50	1635	264	-26	W	1	30	1	30
7057	75	10	24.30	1634	65	+24	W	3	50	1	100	7097	75	11	5.50	1635	264	+15	W	5	30	2	90
7058	75	10	24.30	1634	65	+41	W	4	50	1	130	7098	75	11	5.50	1635	264	+37	W	10	80	2	430
7059	75	10	25.35	1634	231	+42	E	8	50	1	210	7099	75	11	9.32	1635	34	+49	E	2	70	1	110
7060	75	10	25.35	1634	231	+10	E	8	20	1	150	7100	75	11	9.32	1635	34	+6	E	8	50	2	210
7061	75	10	25.35	1634	231	-45	E	8	40	1	180	7101	75	11	9.32	1635	214	-43	W	4	20	2	60
7062	75	10	25.35	1634	51	+9	W	2	60	1	80	7102	75	11	9.32	1635	214	-24	W	3	40	1	80
7063	75	10	25.35	1634	51	+29	W	3	30	2	70	7103	75	11	9.32	1635	214	+43	W	5	50	1	250
7064	75	10	25.35	1634	51	+48	W	5	50	2	160	7104	75	11	10.50	1635	18	+51	E	9	40	2	170
7065	75	10	26.31	1634	219	-43	E	11	40	2	220	7105	75	11	10.50	1635	198	-27	W	10	50	2	230
7066	75	10	26.31	1634	39	+31	W	2	50	1	110	7106	75	11	10.50	1635	198	-9	W	3	30	1	60
7067	75	10	26.31	1634	39	+52	W	6	50	2	230	7107	75	11	10.50	1635	198	+8	W	4	40	2	110
7068	75	10	27.44	1634	204	-44	E	13	60	2	410	7108	75	11	10.50	1635	198	+19	W	2	20	1	60
7069	75	10	27.44	1634	24	+51	W	2	60	2	70	7109	75	11	13.38	1635	340	+50	E	6	30	1	110
7070	75	10	30.38	1634	165	+41	E	6	20	1	130	7110	75	11	13.38	1635	340	-8	E	6	40	3	180

TABLE 1 CONTINUED

TABLE 1 CONTINUED

TABLE 1 CONTINUED

7111	75 11	13.38	1635	340	-37 E	2	20	1	40	7151	75 11	29.44	1635	128	-40 E	2	20	2	30
7112	75 11	13.38	1635	160	-52 W	3	10	1	30	7152	75 11	29.44	1635	128	-46 E	4	30	2	90
7113	75 11	13.38	1635	160	-40 W	9	40	2	220	7153	75 11	29.44	1635	308	-35 W	1	50	2	50
7114	75 11	13.38	1635	160	-30 W	2	60	1	60	7154	75 11	29.44	1635	308	+3 W	2	20	2	40
7115	75 11	13.38	1635	160	-20 W	2	60	1	110	7155	75 11	29.44	1635	308	+12 W	2	20	2	30
7116	75 11	13.38	1635	160	-9 W	1	30	1	30	7156	75 11	29.44	1635	308	+18 W	2	20	2	40
7117	75 11	13.38	1635	160	+4 W	12	150	1	870	7157	75 11	29.44	1635	308	+50 W	2	20	2	30
7118	75 11	16.50	1635	299	+68 E	2	30	2	60	7158	75 11	30.47	1635	115	+46 E	12	40	2	300
7119	75 11	16.50	1635	299	+48 E	1	20	1	20	7159	75 11	30.47	1635	115	+29 E	5	70	2	150
7120	75 11	16.50	1635	299	+31 E	1	10	2	10	7160	75 11	30.47	1635	115	+23 E	2	40	2	50
7121	75 11	16.50	1635	299	+19 E	7	20	1	130	7161	75 11	30.47	1635	115	-46 E	8	30	1	150
7122	75 11	16.50	1635	299	-36 E	7	30	1	100	7162	75 11	30.47	1635	295	-36 W	4	70	1	150
7123	75 11	16.50	1635	119	+8 W	6	40	1	130	7163	75 11	30.47	1635	295	+17 W	17	30	3	420
7124	75 11	16.50	1635	119	+23 W	12	80	2	380	7164	75 11	30.47	1635	295	+33 W	4	30	2	70
7125	75 11	16.50	1635	119	+41 W	10	20	1	130	7165	75 12	9.47	1636	356	+47 E	4	20	2	55
7126	75 11	25.40	1635	182	+23 E	2	40	2	50	7166	75 12	9.47	1636	356	+21 E	1	90	2	60
7127	75 11	25.40	1635	182	+17 E	6	60	1	180	7167	75 12	9.47	1636	356	-9 E	2	20	2	40
7128	75 11	25.40	1635	182	-32 E	4	20	2	50	7168	75 12	9.47	1636	356	-30 E	3	40	2	55
7129	75 11	25.40	1635	182	-47 E	13	40	2	290	7169	75 12	9.47	1636	356	-36 E	2	50	2	45
7130	75 11	25.40	1635	2	-29 W	8	30	2	160	7170	75 12	9.47	1636	176	-45 W	1	20	2	15
7131	75 11	25.40	1635	2	+46 W	4	30	1	110	7171	75 12	9.47	1636	176	-35 W	2	30	1	35
7132	75 11	26.38	1635	169	+48 E	2	10	2	20	7172	75 12	9.47	1636	176	+7 W	2	30	1	35
7133	75 11	26.38	1635	169	+41 E	2	10	1	20	7173	75 12	9.47	1636	176	+28 W	4	50	2	100
7134	75 11	26.38	1635	169	+38 E	2	20	1	30	7174	75 12	10.45	1636	343	+43 E	6	30	2	90
7135	75 11	26.38	1635	169	+24 E	2	50	1	90	7175	75 12	10.45	1636	343	-12 E	4	20	2	50
7136	75 11	26.38	1635	169	+11 E	2	20	2	40	7176	75 12	10.45	1636	163	-43 W	8	80	1	120
7137	75 11	26.38	1635	169	-15 E	2	10	1	20	7177	75 12	10.45	1636	163	+30 W	3	50	2	80
7138	75 11	26.38	1635	169	-18 E	1	10	1	10	7178	75 12	11.38	1636	331	+44 E	6	30	2	90
7139	75 11	26.38	1635	169	-22 E	1	30	1	40	7179	75 12	11.38	1636	331	+30 E	3	30	1	35
7140	75 11	26.38	1635	169	-45 E	9	40	1	190	7180	75 12	11.38	1636	331	-11 E	1	20	2	15
7141	75 11	26.38	1635	349	-41 W	3	10	1	30	7181	75 12	11.38	1636	151	-2 W	1	20	1	15
7142	75 11	26.38	1635	349	-31 W	5	40	1	130	7182	75 12	11.38	1636	151	+4 W	1	30	1	10
7143	75 11	26.38	1635	349	-4 W	8	30	3	150	7183	75 12	11.38	1636	151	+8 W	2	30	1	30
7144	75 11	26.38	1635	349	+19 W	3	20	1	30	7184	75 12	11.38	1636	151	+17 W	2	20	1	35
7145	75 11	26.38	1635	349	+24 W	2	20	1	30	7185	75 12	11.38	1636	151	+30 W	1	40	1	40
7146	75 11	26.38	1635	349	+31 W	5	20	2	60	7186	75 12	11.38	1636	151	+32 W	3	20	1	35
7147	75 11	26.38	1635	349	+49 W	11	80	2	530	7187	75 12	12.36	1636	318	+48 E	5	30	2	50
7148	75 11	29.44	1635	128	+47 E	14	30	2	240	7188	75 12	12.36	1636	318	+12 E	3	40	3	95
7149	75 11	29.44	1635	128	+24 E	5	50	1	190	7189	75 12	12.36	1636	318	+7 E	2	10	2	20
7150	75 11	29.44	1635	128	-14 E	2	20	1	40	7190	75 12	12.36	1636	318	-40 E	3	30	2	45

TABLE 1 CONTINUED

TABLE 1 CONTINUED

7191	75 12	12.36	1636	138	-38 W	1	50	2	50	7231	75 12	24.42	1636	339	-31 W	4	10	1	40
7192	75 12	12.36	1636	138	-31 W	1	20	1	25	7232	75 12	24.42	1636	339	-17 W	6	30	2	130
7193	75 12	12.36	1636	138	+44 W	8	40	2	120	7233	75 12	24.42	1636	339	-10 W	3	20	1	40
7194	75 12	14.43	1636	290	+24 E	8	60	3	330	7234	75 12	24.42	1636	339	+48 W	2	20	2	30
7195	75 12	14.43	1636	290	-34 E	1	40	2	50	7235	75 12	28.40	1636	106	+ 3 E	7	50	2	250
7196	75 12	14.43	1636	110	+ 5 W	2	20	2	25	7236	75 12	28.40	1636	286	-35 W	6	40	2	180
7197	75 12	15.36	1636	278	+27 E	2	60	2	100	7237	75 12	28.40	1636	286	+22 W	12	80	2	620
7198	75 12	15.36	1636	278	+17 E	8	20	2	100	7238	75 12	28.40	1636	286	+32 W	2	30	2	100
7199	75 12	15.36	1636	278	-39 E	3	30	2	40	7239	75 12	28.40	1636	286	+50 W	3	30	2	90
7200	75 12	15.36	1636	98	-14 W	10	50	2	190	7240	75 12	29.35	1637	94	+50 E	3	20	1	50
7201	75 12	15.36	1636	98	+ 3 W	1	10	2	10	7241	75 12	29.35	1637	94	+14 E	2	20	1	30
7202	75 12	15.36	1636	98	+27 W	5	30	1	40	7242	75 12	29.35	1637	94	+ 1 E	7	20	2	90
7203	75 12	15.36	1636	98	+41 W	1	20	1	20	7243	75 12	29.35	1637	94	-23 E	16	70	1	260
7204	75 12	15.36	1636	98	+47 W	4	20	1	70	7244	75 12	29.35	1637	274	-38 W	9	30	2	150
7205	75 12	16.35	1636	265	+53 E	3	10	2	30	7245	75 12	29.35	1637	274	+20 W	14	70	2	520
7206	75 12	16.35	1636	265	+41 E	3	10	2	30	7246	75 12	29.35	1637	274	+42 W	2	30	1	40
7207	75 12	16.35	1636	265	+27 E	5	30	3	120	7247	75 12	30.40	1637	80	+51 E	6	30	2	130
7208	75 12	16.35	1636	265	+42 E	5	30	2	100	7248	75 12	30.40	1637	80	-25 E	1	90	1	130
7209	75 12	16.35	1636	85	-41 W	2	10	1	20	7249	75 12	30.40	1637	260	-49 W	2	20	1	30
7210	75 12	16.35	1636	85	-45 W	2	10	1	10	7250	75 12	30.40	1637	260	-42 W	5	50	2	160
7211	75 12	16.35	1636	85	-22 W	4	30	2	110	7251	75 12	30.40	1637	260	+27 W	4	30	2	100
7212	75 12	16.35	1636	85	-13 W	6	20	2	100	7252	75 12	30.40	1637	260	+41 W	2	10	2	20
7213	75 12	16.35	1636	85	+39 W	2	40	1	30	7253	75 12	30.40	1637	260	+45 W	1	30	2	50
7214	75 12	19.43	1636	224	+47 E	4	30	1	60	7254	75 12	31.38	1637	67	+60 E	8	30	1	160
7215	75 12	19.43	1636	44	- 5 W	4	30	1	70	7255	75 12	31.38	1637	67	+29 E	2	40	2	50
7216	75 12	23.48	1636	171	+50 E	1	10	1	10	7256	75 12	31.38	1637	67	-31 E	5	70	1	150
7217	75 12	23.48	1636	171	+42 E	1	30	2	30	7257	75 12	31.38	1637	247	+ 9 W	11	50	1	230
7218	75 12	23.48	1636	171	+32 E	3	30	2	70	7258	75 12	31.38	1637	247	+46 W	4	50	1	150
7219	75 12	23.48	1636	171	- 3 E	4	20	3	50	7259	76 1	7.49	1637	333	+50 E	7	40	2	130
7220	75 12	23.48	1636	171	-45 E	3	50	1	80	7260	76 1	7.49	1637	333	+44 E	1	25	1	20
7221	75 12	23.48	1636	171	-40 E	12	60	2	470	7261	76 1	7.49	1637	333	+41 E	1	10	1	10
7222	75 12	23.48	1636	351	-35 W	7	60	2	240	7262	76 1	7.49	1637	333	+35 E	1	25	1	25
7223	75 12	23.48	1636	351	-14 W	13	50	3	440	7263	76 1	7.49	1637	333	-11 E	3	40	2	75
7224	75 12	23.48	1636	351	+25 W	4	50	1	110	7264	76 1	7.49	1637	333	-33 E	3	20	1	35
7225	75 12	23.48	1636	351	+47 W	9	30	3	150	7265	76 1	7.49	1637	333	-40 E	3	20	1	35
7226	75 12	24.42	1636	159	+42 E	4	30	2	80	7266	76 1	7.49	1637	153	+42 W	5	70	1	180
7227	75 12	24.42	1636	159	+32 E	6	90	2	220	7267	76 1	7.49	1637	153	+30 W	5	50	2	90
7228	75 12	24.42	1636	159	-19 E	3	30	1	50	7268	76 1	25.41	1637	96	+13 E	5	30	2	90
7229	75 12	24.42	1636	159	-30 E	2	40	1	50	7269	76 1	25.41	1637	96	-22 E	1	20	1	20
7230	75 12	24.42	1636	159	-43 E	10	70	2	450	7270	76 1	25.41	1637	96	-32 E	2	20	1	35

TABLE 1 CONTINUED

TABLE 1 CONTINUED

7271 76	1	25.41	1637	276	-37 W	11	50	2	220	7311 76	2	8.46	1638	91	-15 W	1	40	1	25
7272 76	1	26.41	1638	83	-30 E	2	60	2	100	7312 76	2	8.46	1638	91	-9 W	2	20	1	25
7273 76	1	26.41	1638	263	-36 W	8	75	2	150	7313 76	2	9.42	1638	258	-41 E	5	110	2	220
7274 76	1	26.41	1638	263	+50 W	4	25	2	50	7314 76	2	9.42	1638	78	-28 W	6	120	1	150
7275 76	2	2.37	1638	351	+50 E	4	40	2	100	7315 76	2	9.42	1638	78	+12 W	2	80	1	60
7276 76	2	2.37	1638	351	+42 E	3	30	1	70	7316 76	2	9.42	1638	78	+33 W	2	30	1	45
7277 76	2	2.37	1638	351	-16 E	8	50	1	90	7317 76	2	11.32	1638	233	+45 E	4	80	2	100
7278 76	2	2.37	1638	351	-31 E	8	50	1	100	7318 76	2	11.32	1638	233	-39 E	2	30	2	40
7279 76	2	2.37	1638	171	-46 W	1	10	1	10	7319 76	2	11.32	1638	53	-35 W	2	20	1	30
7280 76	2	2.37	1638	171	-28 W	1	60	1	55	7320 76	2	11.32	1638	53	-10 W	6	40	3	70
7281 76	2	2.37	1638	171	-22 W	1	50	1	40	7321 76	2	11.32	1638	53	+12 W	2	30	2	50
7282 76	2	2.37	1638	171	-14 W	1	10	1	10	7322 76	2	17.33	1638	154	+45 E	10	50	2	200
7283 76	2	2.37	1638	171	+2 W	4	20	2	70	7323 76	2	17.33	1638	154	+16 E	4	20	1	50
7284 76	2	3.36	1638	338	+52 E	3	40	2	90	7324 76	2	17.33	1638	154	-45 E	5	30	2	110
7285 76	2	3.36	1638	338	+18 E	6	0	1	80	7325 76	2	17.33	1638	154	-72 E	3	30	1	50
7286 76	2	3.36	1638	338	+1 E	2	25	1	30	7326 76	2	17.33	1638	334	-33 W	5	60	2	130
7287 76	2	3.36	1638	338	-13 E	1	20	1	25	7327 76	2	17.33	1638	334	-14 W	3	30	2	70
7288 76	2	3.36	1638	338	-41 E	3	20	1	45	7328 76	2	17.33	1638	334	+33 W	5	20	3	60
7289 76	2	3.36	1638	158	+7 W	2	20	2	30	7329 76	2	17.33	1638	334	+53 W	10	50	2	220
7290 76	2	3.36	1638	158	+1 W	4	25	2	50	7330 76	2	18.33	1638	141	+45 E	5	100	2	490
7291 76	2	3.36	1638	158	+39 W	3	65	1	130	7331 76	2	18.33	1638	141	-42 E	8	30	2	160
7292 76	2	3.36	1638	158	+48 W	6	30	1	70	7332 76	2	18.33	1638	321	-37 W	1	10	2	10
7293 76	2	3.36	1638	158	+52 W	2	20	1	30	7333 76	2	18.33	1638	321	-18 W	6	60	2	280
7294 76	2	5.40	1638	311	+52 E	8	40	2	140	7334 76	2	18.33	1638	321	+36 W	5	30	2	90
7295 76	2	5.40	1638	311	-21 E	2	35	2	55	7335 76	2	18.33	1638	321	+49 W	8	70	2	300
7296 76	2	5.40	1638	311	-29 E	1	40	1	35	7336 76	2	19.34	1638	127	+46 E	3	20	2	40
7297 76	2	5.40	1638	311	-39 E	1	30	2	30	7337 76	2	19.34	1638	307	-45 W	5	20	2	60
7298 76	2	5.40	1638	311	-47 E	2	20	1	35	7338 76	2	19.34	1638	307	-52 W	2	30	2	50
7299 76	2	5.40	1638	131	+38 W	2	80	1	80	7339 76	2	19.34	1638	307	-19 W	2	20	1	30
7300 76	2	6.38	1638	298	+48 E	3	20	3	60	7340 76	2	19.34	1638	307	+1 W	11	50	1	240
7301 76	2	6.38	1638	298	-43 E	3	20	2	50	7341 76	2	19.34	1638	307	+16 W	14	30	2	250
7302 76	2	6.38	1638	118	-19 W	5	60	2	170	7342 76	2	19.34	1638	307	+28 W	4	20	1	70
7303 76	2	6.38	1638	118	-4 W	1	20	2	20	7343 76	2	19.34	1638	307	+56 W	7	30	1	130
7304 76	2	6.38	1638	118	+2 W	1	30	2	35	7344 76	2	19.34	1638	307	+52 W	4	70	2	240
7305 76	2	8.46	1638	271	-12 E	1	20	2	20	7345 76	2	20.32	1638	114	+52 E	8	30	1	120
7306 76	2	8.46	1638	271	-21 E	1	20	2	20	7346 76	2	20.32	1638	294	-39 W	3	30	2	60
7307 76	2	8.46	1638	271	-42 E	6	70	2	230	7347 76	2	20.32	1638	294	+10 W	2	50	2	100
7308 76	2	8.46	1638	91	-52 W	2	20	1	25	7348 76	2	20.32	1638	294	+22 W	1	30	1	30
7309 76	2	8.46	1638	91	-29 W	3	50	1	70	7349 76	2	20.32	1638	294	+50 W	6	50	3	220
7310 76	2	8.46	1638	91	-23 W	3	80	1	120	7350 76	2	21.32	1638	101	-31 E	7	60	2	170

TABLE 1 CONTINUED

TABLE 1 CONTINUED

7351 76	2	21.32	1638	281	-41 W	4	30	2	100	7391 76	3	23.40	1640	51	-10 E	7	20	2	120
7352 76	2	21.32	1638	281	+8 W	3	20	2	40	7392 76	3	23.40	1640	51	-27 E	1	75	2	90
7353 76	2	21.32	1638	281	+28 W	4	30	2	60	7393 76	3	23.40	1640	231	+38 W	6	40	2	90
7354 76	2	21.32	1638	281	+81 W	1	20	1	20	7394 76	3	31.57	1640	303	+89 E	2	25	2	20
7355 76	2	22.35	1639	88	+41 E	1	60	1	40	7395 76	3	31.57	1640	303	+85 E	1	30	2	38
7356 76	2	22.35	1639	88	-30 E	9	50	2	230	7396 76	3	31.57	1640	303	+79 E	2	23	2	50
7357 76	2	22.35	1639	268	-14 W	2	20	1	40	7397 76	3	31.57	1640	303	+74 E	1	10	2	15
7358 76	2	22.35	1639	268	+6 W	5	60	2	110	7398 76	4	1.32	1640	293	+84 E	10	55	1	130
7359 76	2	22.35	1639	268	+15 W	3	30	2	80	7399 76	4	1.32	1640	293	+76 E	1	15	1	20
7360 76	2	23.36	1639	74	+5 E	5	40	1	110	7400 76	4	1.32	1640	293	+72 E	1	20	1	20
7361 76	2	23.36	1639	74	-28 E	2	40	2	40	7401 76	4	1.32	1640	293	+26 E	1	10	2	10
7362 76	2	23.36	1639	254	-43 W	2	20	2	40	7402 76	4	1.32	1640	293	+14 E	1	10	2	10
7363 76	2	24.35	1639	61	+39 E	11	40	2	210	7403 76	4	1.32	1640	113	-43 W	2	20	1	30
7364 76	2	24.35	1639	241	-42 W	6	40	2	150	7404 76	4	1.32	1640	113	-20 W	1	25	1	25
7365 76	2	24.35	1639	241	+46 W	8	30	2	160	7405 76	4	1.32	1640	113	-14 W	1	30	1	20
7366 76	2	25.30	1639	49	+44 E	5	60	3	140	7406 76	4	1.32	1640	113	-4 W	4	25	2	60
7367 76	2	25.30	1639	229	-42 W	10	30	2	190	7407 76	4	1.32	1640	113	+2 W	1	20	1	15
7368 76	2	25.30	1639	229	+23 W	2	20	1	30	7408 76	4	1.32	1640	113	+50 W	3	20	1	40
7369 76	2	25.30	1639	229	+45 W	10	50	2	220	7409 76	4	2.30	1640	280	+50 E	7	40	3	90
7370 76	2	29.35	1639	355	+30 E	7	20	3	80	7410 76	4	2.30	1640	280	+34 E	4	25	2	60
7371 76	2	29.35	1639	355	+21 E	6	50	3	150	7411 76	4	2.30	1640	280	-34 E	6	15	2	60
7372 76	2	29.35	1639	355	-2 E	2	20	2	30	7412 76	4	2.30	1640	280	-42 E	5	10	2	50
7373 76	2	29.35	1639	355	-5 E	1	20	2	20	7413 76	4	2.30	1640	280	-49 E	2	10	2	15
7374 76	2	29.35	1639	355	-33 E	2	10	3	30	7414 76	4	2.30	1640	100	-18 W	6	30	1	50
7375 76	2	29.35	1639	175	-37 W	4	30	2	80	7415 76	4	3.38	1640	266	+54 E	5	20	3	80
7376 76	2	29.35	1639	175	-16 W	3	50	1	110	7416 76	4	3.38	1640	266	+35 E	2	15	3	25
7377 76	2	29.35	1639	175	-4 W	4	20	2	70	7417 76	4	3.38	1640	86	-23 W	9	60	3	170
7378 76	2	29.35	1639	175	+48 W	7	50	2	160	7418 76	4	4.34	1640	253	+52 E	8	30	3	130
7379 76	3	7.38	1639	262	-42 E	5	70	3	190	7419 76	4	4.34	1640	253	-40 E	2	50	2	50
7380 76	3	7.38	1639	82	-32 W	2	20	2	40	7420 76	4	4.34	1640	73	-27 W	3	50	2	60
7381 76	3	7.38	1639	82	-29 W	2	60	2	70	7421 76	4	5.33	1640	240	+50 E	3	20	2	50
7382 76	3	7.38	1639	82	+10 W	1	120	1	80	7422 76	4	5.33	1640	240	+40 E	1	30	1	30
7383 76	3	11.38	1639	210	+43 E	4	30	2	70	7423 76	4	5.33	1640	240	-39 E	1	40	2	30
7384 76	3	11.38	1639	210	-42 E	4	30	2	70	7424 76	4	5.33	1640	240	-43 E	2	25	2	25
7385 76	3	12.35	1639	197	+44 E	4	50	2	100	7425 76	4	5.33	1640	60	-28 W	5	20	1	40
7386 76	3	12.35	1639	197	+19 E	1	30	1	30	7426 76	4	5.33	1640	60	+56 W	2	10	2	20
7387 76	3	12.35	1639	197	+43 E	4	30	2	60	7427 76	4	6.35	1640	227	+82 E	1	30	2	28
7388 76	3	12.35	1639	17	-22 W	3	45	2	80	7428 76	4	6.35	1640	227	-31 E	1	20	1	18
7389 76	3	12.35	1639	17	+22 W	5	30	2	110	7429 76	4	6.35	1640	227	-36 E	1	20	1	15
7390 76	3	23.40	1640	51	+36 E	3	50	2	110	7430 76	4	6.35	1640	227	-41 E	2	40	1	60

TABLE 1 CONTINUED

TABLE 1 CONTINUED

7431 76 4	6.35	1640	47	-30 W	4	10	1	40	7471 76 5	9.38	1641	151	+12 E	2	26	2	48
7432 76 4	6.35	1640	47	-14 W	1	30	1	40	7472 76 5	9.38	1641	151	-17 E	18	75	1	270
7433 76 4	6.35	1640	47	+12 W	2	10	1	30	7473 76 5	9.38	1641	151	-50 E	4	10	2	40
7434 76 4	6.35	1640	47	+16 W	2	10	1	20	7474 76 5	9.38	1641	331	-49 W	3	8	1	18
7435 76 4	20.62	1641	39	-40 E	1	20	1	30	7475 76 5	10.35	1641	138	+18 E	3	30	2	50
7436 76 4	20.62	1641	39	-51 E	1	10	1	10	7476 76 5	10.35	1641	138	-16 E	16	80	1	260
7437 76 4	20.62	1641	219	-6 W	6	50	2	140	7477 76 5	11.31	1641	125	+38 E	7	75	2	260
7438 76 4	20.62	1641	219	+1 W	3	50	2	60	7478 76 5	11.31	1641	125	+25 E	3	50	1	70
7439 76 4	20.62	1641	219	+5 W	1	50	1	45	7479 76 5	11.31	1641	125	+16 E	9	60	1	110
7440 76 4	20.62	1641	219	+51 W	1	40	2	30	7480 76 5	11.31	1641	305	-12 W	9	90	2	240
7441 76 4	30.24	1641	272	-62 E	5	50	1	130	7481 76 5	11.31	1641	305	-24 W	2	12	1	20
7442 76 4	30.24	1641	272	-85 E	2	30	2	40	7482 76 5	11.31	1641	305	-33 W	2	20	2	30
7443 76 4	30.24	1641	92	-4 W	1	10	2	10	7483 76 5	11.31	1641	305	-43 W	5	20	1	50
7444 76 4	30.24	1641	92	+18 W	3	30	1	50	7484 76 5	11.31	1641	305	-25 W	6	42	1	80
7445 76 4	30.24	1641	92	+35 W	1	20	1	20	7485 76 5	11.31	1641	305	+12 W	2	28	1	32
7446 76 4	30.24	1641	92	+60 W	1	10	1	10	7486 76 5	11.31	1641	305	+25 W	1	20	1	20
7447 76 5	1.22	1641	259	+6 W	2	28	1	30	7487 76 5	16.57	1642	56	+19 E	2	50	1	60
7448 76 5	1.22	1641	259	+46 E	3	40	3	78	7488 76 5	16.57	1642	56	+13 E	1	70	3	70
7449 76 5	1.22	1641	259	-53 E	3	35	3	78	7489 76 5	16.57	1642	56	+13 E	1	70	3	70
7450 76 5	1.22	1641	79	+17 W	4	12	1	20	7490 76 5	16.57	1642	56	-24 E	8	70	2	320
7451 76 5	1.22	1641	79	+85 W	2	30	1	35	7491 76 5	16.57	1642	236	+9 W	2	70	1	150
7452 76 5	2.24	1641	245	+58 E	3	20	2	35	7492 76 5	16.57	1642	236	+45 W	2	30	1	50
7453 76 5	2.24	1641	245	-46 E	4	34	3	85	7493 76 5	19.20	1642	21	+29 E	13	70	2	330
7454 76 5	2.24	1641	245	-52 E	4	35	3	105	7494 76 5	19.20	1642	21	+13 E	3	30	1	50
7455 76 5	2.24	1641	65	+49 W	1	28	1	25	7495 76 5	19.20	1642	21	-2 E	3	20	1	60
7456 76 5	3.22	1641	232	+52 E	2	22	1	30	7496 76 5	19.20	1642	201	-45 W	4	30	1	80
7457 76 5	3.22	1641	232	+38 E	2	10	1	20	7497 76 5	19.20	1642	201	+9 W	3	40	1	50
7458 76 5	3.22	1641	232	+6 E	3	60	1	50	7498 76 5	19.20	1642	201	+6 W	15	50	2	380
7459 76 5	3.22	1641	232	-47 E	6	50	3	115	7499 76 6	5.22	1642	157	+35 E	5	50	2	90
7460 76 5	3.22	1641	52	-50 W	2	15	1	25	7500 76 6	5.22	1642	157	-42 E	14	60	2	340
7461 76 5	3.22	1641	52	-16 W	9	52	1	84	7501 76 6	5.22	1642	337	-16 W	5	30	2	100
7462 76 5	5.46	1641	203	+52 E	2	18	1	24	7502 76 6	5.22	1642	337	+3 W	2	30	1	50
7463 76 5	5.46	1641	203	-48 E	9	48	3	195	7503 76 6	5.22	1642	337	+10 W	2	30	1	50
7464 76 5	5.46	1641	23	+24 W	2	18	1	20	7504 76 6	5.22	1642	337	+19 W	1	50	2	50
7465 76 5	5.46	1641	23	+35 W	3	25	2	58	7505 76 6	5.22	1642	337	+50 W	2	40	1	50
7466 76 5	6.38	1641	191	-13 E	2	12	1	20	7506 76 6	6.26	1642	143	+43 E	2	40	3	50
7467 76 5	6.38	1641	191	-48 E	7	45	3	165	7507 76 6	6.26	1642	143	+6 E	4	50	2	110
7468 76 5	6.38	1641	11	+10 W	3	40	2	70	7508 76 6	6.26	1642	143	-31 E	3	60	1	90
7469 76 5	9.38	1641	151	+40 E	2	12	1	20	7509 76 6	6.26	1642	143	-43 E	5	30	2	90
7470 76 5	9.38	1641	151	+32 E	6	65	2	190	7510 76 6	6.26	1642	323	-17 W	3	50	2	100

TABLE 1 CONTINUED

TABLE 1 CONTINUED

7511 76 6	7.24	1642	150	+43 E	2	56	2	110	7551 76 7	3.32	1643	146	+50 E	2	10	1	10
7512 76 6	7.24	1642	130	+27 E	6	30	2	120	7552 76 7	3.32	1643	146	+48 E	1	10	1	10
7513 76 6	7.24	1642	130	+18 E	2	10	1	20	7553 76 7	3.32	1643	146	+35 E	1	10	1	10
7514 76 6	7.24	1642	130	-8 E	1	20	2	20	7554 76 7	3.32	1643	146	+20 E	1	10	1	10
7515 76 6	7.24	1642	130	-43 E	5	30	2	100	7555 76 7	3.32	1643	146	+45 E	2	20	2	50
7516 76 6	7.24	1642	310	-23 W	5	40	1	100	7556 76 7	3.32	1643	146	+50 E	1	10	2	10
7517 76 6	7.24	1642	310	+21 W	1	50	1	70	7557 76 7	3.32	1643	326	+19 W	2	20	2	40
7518 76 6	8.23	1642	117	+44 E	4	50	3	180	7558 76 7	4.25	1643	134	+37 E	2	10	2	20
7519 76 6	8.23	1642	117	+1 E	1	30	1	30	7559 76 7	4.25	1643	134	+34 E	2	10	2	20
7520 76 6	8.23	1642	117	-10 E	2	30	3	90	7560 76 7	4.25	1643	134	+35 E	2	10	2	15
7521 76 6	8.23	1642	117	-43 E	3	40	3	70	7561 76 7	4.25	1643	134	+48 E	1	10	2	10
7522 76 6	8.23	1642	297	-20 W	9	50	1	250	7562 76 7	4.25	1643	134	+50 E	1	10	2	10
7523 76 6	9.40	1642	101	+15 E	2	30	1	40	7563 76 7	4.25	1643	314	+25 W	2	10	2	10
7524 76 6	9.40	1642	101	-18 E	8	80	3	140	7564 76 7	30.19	1644	151	-49 E	1	10	1	10
7525 76 6	19.29	1643	331	-12 E	7	60	2	150	7565 76 7	30.19	1644	151	-52 E	2	10	1	10
7526 76 6	19.29	1643	331	-43 E	4	60	2	80	7566 76 7	30.19	1644	331	-15 W	3	40	2	85
7527 76 6	19.29	1643	331	-2 E	3	20	2	50	7567 76 7	30.19	1644	331	-10 W	6	70	2	150
7528 76 6	19.29	1643	151	+39 W	5	30	2	100	7568 76 7	30.19	1644	331	-4 W	4	30	2	60
7529 76 6	19.29	1643	151	+36 W	1	10	2	15	7569 76 7	31.25	1644	137	+41 E	2	10	1	20
7530 76 6	21.59	1643	301	-26 E	7	20	2	100	7570 76 7	31.25	1644	137	+35 E	1	30	2	25
7531 76 6	22.27	1643	292	+16 E	5	80	2	140	7571 76 7	31.25	1644	137	+33 E	3	20	2	45
7532 76 6	23.19	1643	279	-22 E	1	70	2	70	7572 76 7	31.25	1644	137	+26 E	2	20	2	20
7533 76 6	23.19	1643	279	-27 E	1	20	2	15	7573 76 7	31.25	1644	137	+16 E	3	40	2	60
7534 76 6	23.19	1643	99	-36 W	1	40	2	35	7574 76 7	31.25	1644	137	-15 E	1	10	1	10
7535 76 6	23.19	1643	99	-27 W	1	60	2	45	7575 76 7	31.25	1644	137	-37 E	2	80	2	45
7536 76 6	24.38	1643	264	+2 E	3	60	2	90	7576 76 7	31.25	1644	317	-21 W	4	100	2	230
7537 76 6	24.38	1643	264	-14 E	4	40	2	120	7577 76 7	16.27	1644	335	-17 E	5	60	2	120
7538 76 7	1.27	1643	173	+34 E	2	50	2	90	7578 76 7	16.27	1644	335	-22 E	4	30	2	45
7539 76 7	1.27	1643	173	+13 E	2	10	2	20	7579 76 7	16.27	1644	155	-44 W	8	20	2	60
7540 76 7	1.27	1643	173	+9 E	2	10	2	20	7580 76 7	16.27	1644	155	-5 W	2	20	2	20
7541 76 7	1.27	1643	173	+1 E	2	10	2	15	7581 76 7	16.27	1644	155	+39 W	3	20	1	30
7542 76 7	1.27	1643	173	-28 E	2	40	2	60	7582 76 7	16.27	1644	155	+43 W	3	60	1	50
7543 76 7	1.27	1643	173	-45 E	6	60	2	230	7583 76 7	16.27	1644	155	+66 W	2	20	2	20
7544 76 7	1.27	1643	173	-50 E	2	20	2	60	7584 76 7	16.27	1644	155	+73 W	2	20	2	20
7545 76 7	1.27	1643	353	-8 W	3	30	2	50	7585 76 7	17.20	1644	323	+12 E	3	10	1	20
7546 76 7	1.27	1643	353	-9 W	2	40	2	50	7586 76 7	17.20	1644	323	-28 E	4	30	2	70
7547 76 7	2.34	1643	159	+36 E	1	80	1	90	7587 76 7	17.20	1644	143	+66 W	6	60	2	260
7548 76 7	2.34	1643	159	-32 E	4	10	2	50	7588 76 7	17.20	1644	143	+6 W	3	90	2	130
7549 76 7	2.34	1643	159	-51 E	2	10	2	20	7589 76 7	17.20	1644	143	+15 W	6	100	2	340
7550 76 7	2.34	1643	339	-3 W	2	30	2	40	7590 76 7	17.20	1644	143	+22 W	4	60	2	160

TABLE 1 CONTINUED

TABLE 1 CONTINUED

7591 76	7	18.23	1644	309	+39 E	2	30	2	40	7631 76	8	24.36	1645	179	-19 E	2	20	1	20
7592 76	7	18.23	1644	309	-23 E	5	20	2	70	7632 76	8	24.36	1645	179	-27 E	1	30	1	30
7593 76	7	18.23	1644	129	-42 W	2	10	1	20	7633 76	8	24.36	1645	179	-33 E	1	30	1	30
7594 76	7	18.23	1644	129	-40 W	2	10	1	10	7634 76	8	24.36	1645	179	-77 E	3	20	1	40
7595 76	7	18.23	1644	129	-33 W	2	30	2	45	7635 76	8	24.36	1645	359	+39 W	3	10	2	30
7596 76	7	18.23	1644	129	-31 W	2	10	2	15	7636 76	8	28.26	1645	127	+40 E	11	30	1	200
7597 76	7	18.23	1644	129	-27 W	2	50	2	150	7637 76	8	28.26	1645	127	+21 E	8	40	1	100
7598 76	7	18.23	1644	129	+42 W	6	90	2	290	7638 76	8	28.26	1645	127	-46 E	9	60	2	190
7599 76	7	18.23	1644	129	+46 W	3	50	2	100	7639 76	8	28.26	1645	307	-24 W	4	120	2	230
7600 76	8	3.23	1644	98	+47 E	4	20	1	60	7640 76	8	29.32	1645	113	+35 E	14	70	2	630
7601 76	8	9.26	1645	18	+58 E	1	10	2	10	7641 76	8	29.32	1645	113	-51 E	6	60	2	230
7602 76	8	9.26	1645	18	+26 E	1	20	1	15	7642 76	8	29.32	1645	293	-24 W	4	80	2	190
7603 76	8	9.26	1645	18	-19 E	1	30	2	20	7643 76	8	29.32	1645	293	-13 W	3	30	1	60
7604 76	8	9.26	1645	198	-38 W	4	60	2	100	7644 76	8	29.32	1645	293	-8 W	3	20	1	40
7605 76	8	9.26	1645	198	+12 W	3	20	1	40	7645 76	8	30.33	1645	100	+34 E	13	60	2	420
7606 76	8	9.26	1645	198	+19 W	1	10	1	10	7646 76	8	30.33	1645	100	-52 E	4	70	2	130
7607 76	8	13.27	1645	145	-48 W	1	20	2	20	7647 76	8	30.33	1645	100	-21 E	3	40	1	60
7608 76	8	13.27	1645	145	-46 W	1	20	3	30	7648 76	8	27.32	1647	271	-18 W	2	60	2	160
7609 76	8	13.27	1645	145	-31 W	1	20	1	15	7649 76	9	27.32	1647	271	+8 W	3	135	2	130
7610 76	8	13.27	1645	145	-23 W	1	10	1	10	7650 76	10	8.41	1647	304	+77 E	3	10	2	30
7611 76	8	13.27	1645	145	-12 W	2	30	2	40	7651 76	10	8.41	1647	304	+69 E	2	10	2	20
7612 76	8	13.27	1645	145	+21 W	1	20	3	20	7652 76	10	8.41	1647	304	+54 E	2	40	1	50
7613 76	8	13.27	1645	145	+38 W	1	20	1	20	7653 76	10	8.41	1647	304	+4 E	10	40	2	280
7614 76	8	16.22	1645	286	+38 E	3	30	1	50	7654 76	10	8.41	1647	124	-83 W	3	20	2	40
7615 76	8	16.22	1645	286	-33 E	4	50	2	80	7655 76	10	8.41	1647	124	-80 W	1	30	2	30
7616 76	8	16.22	1645	286	-40 E	3	40	2	60	7656 76	10	8.41	1647	124	-49 W	2	90	1	100
7617 76	8	16.22	1645	106	-42 W	7	30	2	140	7657 76	10	8.41	1647	124	+2 W	2	20	2	30
7618 76	8	16.22	1645	106	+8 W	2	10	1	20	7658 76	10	9.42	1647	291	+51 E	5	50	2	90
7619 76	8	16.22	1645	106	+47 W	6	60	2	230	7659 76	10	9.42	1647	291	+4 E	12	70	3	340
7620 76	8	16.38	1645	258	+18 E	2	30	1	30	7660 76	10	9.42	1647	111	-45 W	1	10	2	10
7621 76	8	18.38	1645	258	+5 E	7	40	2	180	7661 76	10	9.42	1647	111	-39 W	2	30	2	40
7622 76	8	18.38	1645	258	-25 E	3	20	2	30	7662 76	10	9.42	1647	111	-33 W	1	30	2	30
7623 76	8	18.38	1645	258	-34 E	3	40	2	80	7663 76	10	9.42	1647	111	-22 W	2	15	1	20
7624 76	8	23.41	1645	191	+19 E	3	30	1	50	7664 76	10	9.42	1647	111	-19 W	1	20	1	20
7625 76	8	23.41	1645	11	+14 W	4	30	1	70	7665 76	10	9.42	1647	111	-12 W	1	25	1	20
7626 76	8	23.41	1645	11	+24 W	2	60	1	70	7666 76	10	9.42	1647	111	-8 W	1	40	1	50
7627 76	8	23.41	1645	11	+54 W	2	20	1	30	7667 76	10	9.42	1647	111	+1 W	1	40	1	50
7628 76	8	24.36	1645	179	-5 E	2	30	1	50	7668 76	10	11.38	1647	265	+1 E	2	40	2	50
7629 76	8	24.36	1645	179	-11 E	2	30	1	60	7669 76	10	11.38	1647	265	-20 E	1	30	1	30
7630 76	8	24.36	1645	179	-15 E	1	50	1	50	7670 76	10	11.38	1647	265	-41 E	5	40	2	100

TABLE 1 CONTINUED

TABLE 1 CONTINUED

7671	76 10	11.38	1647	265	-69 E	14	30	2	220	7711	76 10	26.40	1648	67	-41 E	1	10	1	10
7672	76 10	11.38	1647	85	-64 W	3	15	1	30	7712	76 10	26.40	1648	67	-48 E	1	60	1	60
7673	76 10	11.38	1647	85	-25 W	4	30	1	40	7713	76 10	27.41	1648	54	-29 E	5	60	3	190
7674	76 10	11.38	1647	85	+31 W	1	50	1	50	7714	76 10	27.41	1648	54	-48 E	2	10	2	25
7675	76 10	21.31	1647	134	+45 E	2	10	1	20	7715	76 10	27.41	1648	234	-25 W	1	10	1	10
7676	76 10	21.31	1647	134	+30 E	2	25	2	30	7716	76 10	27.41	1648	234	-16 W	1	25	2	25
7677	76 10	21.31	1647	134	-9 E	2	50	1	50	7717	76 10	27.41	1648	234	-3 W	1	10	2	10
7678	76 10	21.31	1647	134	-15 E	2	25	1	40	7718	76 10	27.41	1648	234	+18 W	7	50	2	150
7679	76 10	21.31	1647	314	+18 W	2	30	2	30	7719	76 10	28.27	1648	42	-43 E	1	20	1	20
7680	76 10	21.31	1647	314	+42 W	1	50	2	50	7720	76 10	28.27	1648	222	+14 W	5	90	2	170
7681	76 10	22.37	1647	120	+46 E	4	50	2	70	7721	76 10	28.27	1648	222	+20 W	2	25	2	35
7682	76 10	22.37	1647	120	+21 E	3	20	2	60	7722	76 11	8.50	1648	254	-38 E	2	40	1	80
7683	76 10	22.37	1647	120	+12 E	1	20	2	20	7723	76 11	28.35	1649	352	+33 E	9	40	2	150
7684	76 10	22.37	1647	120	+7 E	1	50	2	50	7724	76 11	28.35	1649	172	-30 W	1	50	2	20
7685	76 10	22.37	1647	120	-7 E	1	30	1	35	7725	76 11	28.35	1649	172	-26 W	1	20	2	15
7686	76 10	22.37	1647	120	-10 E	2	40	1	50	7726	76 11	28.35	1649	172	-19 W	1	20	2	20
7687	76 10	22.37	1647	120	-31 E	1	10	2	20	7727	76 11	28.35	1649	172	-1 W	1	20	1	10
7688	76 10	22.37	1647	120	-37 E	1	10	2	10	7728	76 11	28.35	1649	172	+4 W	2	40	2	35
7689	76 10	22.37	1647	300	+45 W	1	40	1	60	7729	76 11	28.35	1649	172	+19 W	2	10	2	20
7690	76 10	22.37	1647	300	+3 W	1	10	1	30	7730	76 12	30.47	1650	288	+28 E	5	50	2	140
7691	76 10	22.37	1647	300	+15 W	3	50	1	40	7731	76 12	30.47	1650	288	-31 E	2	140	2	90
7692	76 10	22.37	1647	300	+23 W	1	20	1	20	7732	76 12	31.36	1650	276	+29 E	7	50	2	150
7693	76 10	23.32	1647	108	+43 E	5	50	3	110	7733	76 12	31.36	1650	276	+19 E	3	20	2	50
7694	76 10	23.32	1647	108	+35 E	4	80	1	180	7734	76 12	31.36	1650	276	-5 E	1	10	1	10
7695	76 10	23.32	1647	108	+5 E	2	30	2	35	7735	76 12	31.36	1650	276	-8 E	2	20	1	20
7696	76 10	23.32	1647	108	-11 E	1	40	1	30	7736	76 12	31.36	1650	276	-11 E	1	10	1	10
7697	76 10	23.32	1647	108	-34 E	3	20	2	30	7737	76 12	31.36	1650	276	-33 E	6	30	2	100
7698	76 10	23.32	1647	108	-43 E	5	10	1	35	7738	76 12	31.36	1650	96	-51 W	5	20	2	50
7699	76 10	23.32	1647	288	-42 W	3	30	2	80	7739	76 12	31.36	1650	96	-27 W	4	30	2	80
7700	76 10	23.32	1647	288	-22 W	4	20	2	50	7740	76 12	31.36	1650	96	-22 W	2	10	2	20
7701	76 10	24.43	1648	93	+86 E	4	25	2	70	7741	76 12	31.36	1650	96	-14 W	1	20	2	20
7702	76 10	24.43	1648	93	+57 E	1	30	1	30	7742	76 12	31.36	1650	96	+58 W	1	30	2	20
7703	76 10	24.43	1648	93	+37 E	1	30	1	30	7743	77 1	5.37	1650	210	+40 E	9	70	2	120
7704	76 10	24.43	1648	273	+12 W	10	40	1	110	7744	77 1	6.46	1650	196	+42 E	10	140	2	290
7705	76 10	24.43	1648	273	+20 W	1	10	1	10	7745	77 1	6.46	1650	196	+15 E	1	60	2	50
7706	76 10	24.43	1648	273	+61 W	5	25	1	70	7746	77 1	6.46	1650	16	+1 W	3	20	2	40
7707	76 10	24.43	1648	273	+61 W	5	10	1	55	7747	77 1	6.46	1650	16	+13 W	3	30	1	30
7708	76 10	24.43	1648	273	+76 W	5	10	1	50	7748	77 1	9.38	1650	157	+35 E	2	10	3	30
7709	76 10	26.40	1648	67	+82 E	7	20	1	100	7749	77 1	9.38	1650	157	+9 E	1	30	1	30
7710	76 10	26.40	1648	67	+66 E	7	20	1	100	7750	77 1	9.38	1650	157	-7 E	2	20	2	30

TABLE 1 CONTINUED

TABLE 1 CONTINUED

7751 77 1	9.38	1650	157	-11 E	2	20	2	40	7791 77 2	4.32	1651	355	+28 W	1	20	1	20
7752 77 1	9.38	1650	157	-20 E	3	40	2	70	7792 77 2	4.32	1651	355	+46 W	15	50	2	260
7753 77 1	9.38	1650	157	-42 E	4	30	2	50	7793 77 2	10.36	1651	95	+25 E	6	140	2	120
7754 77 1	9.38	1650	337	-52 W	10	60	2	120	7794 77 2	10.36	1651	95	-17 E	1	60	1	50
7755 77 1	18.36	1651	39	+46 E	5	30	2	90	7795 77 2	10.36	1651	95	+26 E	1	20	1	20
7756 77 1	18.36	1651	39	-19 E	2	20	2	30	7796 77 2	10.36	1651	95	-31 E	1	20	1	20
7757 77 1	18.36	1651	39	-43 E	2	70	2	70	7797 77 2	10.36	1651	275	-39 W	4	50	2	80
7758 77 1	18.36	1651	219	-39 W	1	60	1	40	7798 77 2	10.36	1651	275	+6 W	1	60	1	50
7759 77 1	18.36	1651	219	+40 W	5	60	2	240	7799 77 2	10.36	1651	275	+17 W	12	40	2	250
7760 77 1	19.43	1651	25	+49 E	5	60	2	110	7800 77 2	11.61	1652	259	+8 W	2	20	2	30
7761 77 1	19.43	1651	25	-28 E	5	30	2	55	7801 77 2	11.61	1652	259	+14 W	4	20	2	50
7762 77 1	19.43	1651	25	-37 E	5	40	1	60	7802 77 2	11.61	1652	259	+19 W	3	10	2	30
7763 77 1	19.43	1651	205	-27 W	1	10	1	10	7803 77 2	17.37	1652	183	+2 W	7	30	2	130
7764 77 1	19.43	1651	205	+36 W	8	70	2	290	7804 77 2	17.37	1652	183	+27 W	5	40	1	70
7765 77 1	21.37	1651	359	+49 E	8	80	2	220	7805 77 2	17.37	1652	183	+44 W	1	40	1	40
7766 77 1	21.37	1651	359	-72 E	13	70	2	440	7806 77 2	18.34	1652	350	+45 E	6	50	2	110
7767 77 1	21.37	1651	179	+2 W	2	20	2	40	7807 77 2	18.34	1652	170	+46 W	1	60	2	140
7768 77 1	21.37	1651	179	+10 W	2	20	2	30	7808 77 2	22.34	1652	117	-32 W	1	90	2	110
7769 77 1	21.37	1651	179	+40 W	3	60	1	60	7809 77 2	22.34	1652	117	+16 W	5	50	2	70
7770 77 1	22.34	1651	346	+32 E	6	100	2	270	7810 77 3	2.44	1652	190	+60 E	1	30	2	30
7771 77 1	22.34	1651	346	+24 E	3	20	1	50	7811 77 3	2.44	1652	190	+42 E	5	40	3	110
7772 77 1	22.34	1651	346	+12 E	2	20	1	30	7812 77 3	2.44	1652	190	+15 E	1	50	2	50
7773 77 1	22.34	1651	346	-54 E	6	60	2	230	7813 77 3	2.44	1652	190	+8 E	4	30	2	80
7774 77 1	22.34	1651	166	+13 W	1	30	1	20	7814 77 3	2.44	1652	190	-20 E	1	60	1	60
7775 77 1	22.34	1651	166	+32 W	1	40	1	30	7815 77 3	2.44	1652	190	-34 E	8	30	2	190
7776 77 1	22.34	1651	166	+54 W	8	30	2	130	7816 77 3	7.65	1652	121	+35 E	3	80	3	130
7777 77 1	28.40	1651	266	+25 E	7	70	1	140	7817 77 3	7.65	1652	121	-24 E	6	90	1	110
7778 77 1	28.40	1651	266	-32 E	15	50	2	140	7818 77 3	7.65	1652	301	-36 W	9	60	2	230
7779 77 1	28.40	1651	86	+17 W	4	30	1	50	7819 77 3	7.65	1652	301	+17 W	5	50	1	90
7780 77 1	28.40	1651	86	+44 W	5	30	1	90	7820 77 3	7.65	1652	301	+33 W	1	20	1	20
7781 77 1	31.33	1651	228	+48 E	4	120	1	140	7821 77 3	7.65	1652	301	+55 W	3	20	1	50
7782 77 1	31.33	1651	48	+44 W	3	40	2	60	7822 77 3	10.54	1653	83	+22 E	11	90	2	290
7783 77 2	2.38	1651	20	-47 W	5	20	2	70	7823 77 3	10.54	1653	83	+9 E	1	30	2	30
7784 77 2	3.58	1651	185	+23 E	2	30	2	40	7824 77 3	10.54	1653	83	+1 E	2	30	1	40
7785 77 2	3.58	1651	185	+10 E	2	50	1	110	7825 77 3	10.54	1653	83	-15 E	3	10	1	40
7786 77 2	3.58	1651	5	-29 W	2	10	2	20	7826 77 3	10.54	1653	83	-21 E	4	20	1	60
7787 77 2	3.58	1651	5	-23 W	1	10	1	10	7827 77 3	10.54	1653	83	-43 E	1	20	1	15
7788 77 2	3.58	1651	5	+46 W	2	50	1	130	7828 77 3	10.54	1653	263	-36 W	3	40	2	60
7789 77 2	4.32	1651	175	+11 E	2	90	1	200	7829 77 3	10.54	1653	263	-16 W	1	60	1	50
7790 77 2	4.32	1651	355	-38 W	1	50	2	30	7830 77 3	10.54	1653	263	+10 W	1	30	1	30

TABLE 1 CONTINUED

7831	77	3	10.54	1653	263	+25 W	1	20	1	20	1	20	7871	77	4	21.29	1654	72	+28 W	2	40	2	50
7832	77	3	10.54	1653	263	+45 W	11	20	2	90			7872	77	4	21.29	1654	72	+33 W	2	60	2	90
7833	77	3	11.36	1653	72	+25 E	12	60	2	160			7873	77	4	24.30	1654	212	+ 4 E	6	60	2	240
7834	77	3	11.36	1653	72	-12 E	5	30	2	50			7874	77	4	24.30	1654	32	-39 W	2	40	1	50
7835	77	3	11.36	1653	72	-24 E	10	30	3	190			7875	77	4	24.30	1654	32	-15 W	1	40	1	30
7836	77	3	11.36	1653	72	+40 E	6	20	1	30			7876	77	4	24.30	1654	32	+14 W	1	40	1	30
7837	77	3	11.36	1653	72	-50 E	3	20	2	50			7877	77	4	24.30	1654	32	+48 W	2	60	1	10
7838	77	3	11.36	1653	252	-81 W	1	30	1	30			7878	77	4	26.28	1654	186	+36 E	2	50	2	70
7839	77	3	11.36	1653	252	-39 W	2	50	2	90			7879	77	4	26.28	1654	186	+28 E	1	50	2	40
7840	77	4	1.29	1653	156	+37 E	5	25	2	60			7880	77	4	26.28	1654	186	+20 E	4	40	2	90
7841	77	4	1.29	1653	156	+10 E	2	30	2	60			7881	77	4	26.28	1654	186	-27 E	3	70	2	70
7842	77	4	1.29	1653	156	-34 E	21	110	2	410			7882	77	4	26.28	1654	6	-35 W	30	50	2	760
7843	77	4	1.29	1653	336	-33 W	9	55	3	290			7883	77	4	26.28	1654	6	-18 W	2	50	1	40
7844	77	4	1.29	1653	336	+49 W	8	95	2	350			7884	77	4	26.28	1654	6	+44 W	6	40	1	130
7845	77	4	3.30	1653	130	+40 E	10	120	2	250			7885	77	4	30.49	1654	131	-12 E	7	80	1	360
7846	77	4	3.30	1653	130	+17 E	2	60	2	70			7886	77	4	30.49	1654	311	-13 W	8	60	2	290
7847	77	4	3.30	1653	130	-30 E	7	40	2	190			7887	77	4	30.49	1654	311	+49 W	3	70	2	120
7848	77	4	3.30	1653	310	-38 W	9	55	2	180			7888	77	4	30.49	1654	311	+71 W	7	60	1	140
7849	77	4	11.42	1654	22	-19 E	3	30	2	55			7889	77	5	3.30	1655	94	+54 E	1	20	2	20
7850	77	4	11.42	1654	22	-34 E	4	15	1	50			7890	77	5	3.30	1655	94	+52 E	1	20	2	20
7851	77	4	11.42	1654	22	-66 E	9	20	2	100			7891	77	5	3.30	1655	94	+47 E	4	50	2	170
7852	77	4	11.42	1654	202	+39 W	15	60	2	600			7892	77	5	3.30	1655	94	+24 E	2	10	2	10
7853	77	4	13.59	1654	354	+48 E	2	70	2	120			7893	77	5	3.30	1655	94	+21 E	3	80	1	20
7854	77	4	13.59	1654	354	-36 E	13	60	3	600			7894	77	5	3.30	1655	94	+10 E	1	10	1	20
7855	77	4	13.59	1654	174	+10 W	5	30	2	60			7895	77	5	3.30	1655	94	+ 8 E	1	10	1	20
7856	77	4	13.59	1654	174	+16 W	1	45	2	30			7896	77	5	3.30	1655	94	+ 5 E	1	10	1	10
7857	77	4	13.59	1654	174	+30 W	18	50	2	280			7897	77	5	3.30	1655	94	-26 E	1	40	2	40
7858	77	4	13.59	1654	174	+66 W	5	20	2	90			7898	77	5	3.30	1655	94	-52 E	2	30	1	30
7859	77	4	14.51	1654	342	+47 E	4	45	3	130			7899	77	5	3.30	1655	274	-48 W	9	60	2	250
7860	77	4	14.51	1654	342	-35 E	9	60	3	350			7900	77	5	3.30	1655	274	-13 W	3	50	1	50
7861	77	4	14.51	1654	342	+38 E	6	45	2	140			7901	77	5	3.30	1655	274	+15 W	1	30	2	40
7862	77	4	14.51	1654	342	+43 E	5	50	2	150			7902	77	5	3.30	1655	274	+45 W	5	40	2	170
7863	77	4	19.36	1654	278	+26 E	7	70	2	290			7903	77	5	5.54	1655	64	+31 E	3	50	2	120
7864	77	4	19.36	1654	278	+13 E	1	50	2	70			7904	77	5	5.54	1655	64	+14 E	1	20	2	20
7865	77	4	19.36	1654	278	-34 E	7	80	2	260			7905	77	5	5.54	1655	64	0 E	1	20	1	10
7866	77	4	21.29	1654	252	+42 E	5	50	2	260			7906	77	5	5.54	1655	64	-35 E	3	50	2	80
7867	77	4	21.29	1654	252	+ 9 E	3	60	2	120			7907	77	5	5.54	1655	64	-42 E	5	60	2	180
7868	77	4	21.29	1654	252	- 3 E	1	50	1	50			7908	77	5	5.54	1655	64	-46 E	2	30	2	40
7869	77	4	21.29	1654	252	-23 E	1	40	1	40			7909	77	5	5.54	1655	244	-37 W	1	60	2	80
7870	77	4	21.29	1654	72	-43 W	4	40	2	80			7910	77	5	5.54	1655	244	-35 W	1	60	1	30

TABLE 1 CONTINUED

TABLE 1 CONTINUED

7911	77	5	5.54	1655	244	-33	W	1	20	2	30	7951	77	6	19.22	1656	14	-3	W	7	40	2	100
7912	77	5	5.54	1655	244	-30	W	3	60	2	70	7952	77	6	19.22	1656	14	+3	W	1	30	2	30
7913	77	5	5.54	1655	244	+33	W	12	40	2	260	7953	77	6	19.22	1656	14	+11	W	1	10	2	10
7914	77	5	18.28	1655	256	+34	E	12	50	2	210	7954	77	6	25.21	1656	115	+3	E	8	40	2	90
7915	77	5	18.28	1655	76	-17	W	3	30	2	45	7955	77	6	25.21	1656	115	-5	E	1	40	2	40
7916	77	5	18.28	1655	76	-10	W	5	50	2	130	7956	77	6	25.21	1656	295	-6	W	8	100	3	350
7917	77	5	18.28	1655	76	+41	W	9	80	1	140	7957	77	6	25.21	1656	295	-8	W	2	40	2	100
7918	77	5	27.34	1655	136	-9	E	3	50	1	110	7958	77	6	25.21	1656	295	+27	W	12	50	2	120
7919	77	5	27.34	1655	136	-40	E	6	50	1	90	7959	77	6	26.29	1656	101	+31	E	4	10	3	40
7920	77	5	27.34	1655	136	-80	E	2	30	1	30	7960	77	6	26.29	1656	101	-14	E	6	30	1	90
7921	77	5	27.34	1655	316	-48	W	4	30	1	60	7961	77	6	26.29	1656	281	-40	W	8	90	3	320
7922	77	5	27.34	1655	316	+32	W	8	95	2	250	7962	77	6	26.29	1656	281	-16	W	6	50	2	120
7923	77	6	3.42	1656	43	+28	E	2	50	2	110	7963	77	6	26.29	1656	281	+5	W	3	30	1	40
7924	77	6	3.42	1656	223	+51	W	6	30	1	90	7964	77	6	26.29	1656	281	+24	W	1	10	1	10
7925	77	6	3.42	1656	223	+42	W	2	50	1	60	7965	77	6	28.22	1657	76	-12	E	2	70	2	80
7926	77	6	3.42	1656	223	+35	W	3	30	1	80	7966	77	6	28.22	1657	76	-18	E	4	20	3	60
7927	77	6	3.42	1656	223	+23	W	6	30	1	120	7967	77	6	28.22	1657	256	-45	W	5	60	2	140
7928	77	6	3.42	1656	223	+10	W	2	50	1	40	7968	77	6	28.22	1657	256	+3	W	4	80	1	80
7929	77	6	7.29	1656	352	-50	E	2	20	1	30	7969	77	7	2.17	1657	23	-5	E	3	20	3	40
7930	77	6	7.29	1656	352	-43	E	2	20	1	40	7970	77	7	2.17	1657	23	-16	E	2	100	3	240
7931	77	6	8.31	1656	338	+43	E	7	40	2	160	7971	77	7	2.17	1657	203	-44	W	7	30	3	130
7932	77	6	8.31	1656	338	+25	E	6	40	2	120	7972	77	7	2.17	1657	203	-9	W	3	40	2	30
7933	77	6	8.31	1656	338	-50	E	10	30	2	160	7973	77	7	2.17	1657	203	+26	W	2	20	2	30
7934	77	6	8.31	1656	158	+34	W	3	50	1	80	7974	77	7	2.17	1657	203	+38	W	12	50	2	130
7935	77	6	8.31	1656	158	0	W	2	20	1	30	7975	77	7	2.17	1657	203	+46	W	3	30	2	70
7936	77	6	8.31	1656	158	-5	W	1	30	1	20	7976	77	7	3.17	1657	10	+31	E	2	30	2	40
7937	77	6	9.31	1656	325	+45	E	10	50	2	220	7977	77	7	3.17	1657	10	-8	E	15	160	2	290
7938	77	6	9.31	1656	325	-45	E	12	50	2	380	7978	77	7	3.17	1657	10	-44	E	2	30	2	40
7939	77	6	9.31	1656	145	+17	W	2	30	1	50	7979	77	7	3.17	1657	190	-42	W	4	30	2	60
7940	77	6	9.31	1656	145	-5	W	7	60	1	170	7980	77	7	3.17	1657	190	-38	W	1	10	2	10
7941	77	6	13.33	1656	272	+31	E	5	40	2	100	7981	77	7	3.17	1657	190	-15	W	4	20	1	40
7942	77	6	13.33	1656	272	-45	E	3	20	1	30	7982	77	7	3.17	1657	190	-8	W	3	50	2	50
7943	77	6	13.33	1656	272	-40	E	4	50	1	90	7983	77	7	3.17	1657	190	+23	W	4	30	2	70
7944	77	6	13.33	1656	92	+50	W	10	30	1	170	7984	77	7	3.17	1657	190	+40	W	12	50	2	20
7945	77	6	13.33	1656	92	+35	W	7	30	2	160	7985	77	7	3.17	1657	190	+50	W	1	10	2	10
7946	77	6	13.33	1656	92	-45	W	2	20	1	30	7986	77	7	6.19	1657	330	-49	E	4	50	2	80
7947	77	6	13.33	1656	92	-35	W	2	30	1	50	7987	77	7	6.19	1657	150	-38	W	5	40	2	80
7948	77	6	19.22	1656	194	+46	E	6	60	3	180	7988	77	7	6.19	1657	150	-32	W	1	30	1	25
7949	77	6	19.22	1656	194	-42	E	5	30	3	120	7989	77	7	6.19	1657	150	-23	W	1	60	1	40
7950	77	6	19.22	1656	14	-50	W	2	20	3	30	7990	77	7	6.19	1657	150	-14	W	1	20	1	25

TABLE 1 CONTINUED

7991 77 7	6.19	1657	150	- 8 W	1	70	1	60	8031 77 7	23.22	1657	106	"16 E	5	40	2	110
7992 77 7	6.19	1657	150	- 2 W	1	20	1	20	8032 77 7	23.22	1657	286	"44 W	5	30	2	140
7993 77 7	6.19	1657	150	+47 W	5	50	2	100	8033 77 7	23.22	1657	286	+10 W	6	30	2	90
7994 77 7	12.30	1657	250	+ 4 E	2	30	1	50	8034 77 7	23.22	1657	286	+ 7 E	5	40	2	50
7995 77 7	12.30	1657	250	+ 1 E	1	30	1	30	8035 77 8	8.19	1658	255	" 1 E	4	40	1	80
7996 77 7	12.30	1657	250	- 2 E	1	50	1	40	8036 77 8	8.19	1658	255	"29 E	2	50	2	140
7997 77 7	12.30	1657	250	-47 E	8	60	2	130	8037 77 8	8.19	1658	255	"48 E	3	20	2	40
7998 77 7	12.30	1657	70	+34 W		110	2	160	8038 77 8	8.19	1658	255	"28 W	11	60	2	190
7999 77 7	12.30	1657	70	+51 W	3	10	2	30	8039 77 8	8.19	1658	75	+27 W	5	50	2	100
8000 77 7	13.17	1657	238	+56 E	4	80	1	110	8040 77 8	8.19	1658	75	+59 E	2	20	1	30
8001 77 7	13.17	1657	238	+38 E	4	20	2	30	8041 77 8	9.21	1658	241	+ 8 E	1	40	2	40
8002 77 7	13.17	1657	238	+ 3 E	3	30	2	50	8042 77 8	9.21	1658	241	+ 3 E	3	20	2	40
8003 77 7	13.17	1657	238	-47 E	7	55	2	110	8043 77 8	9.21	1658	241	" 3 E	3	50	2	60
8004 77 7	13.17	1657	58	+50 W	8	35	3	80	8044 77 8	9.21	1658	241	"34 E	1	150	1	100
8005 77 7	16.32	1657	197	+47 E	7	60	2	270	8045 77 8	9.21	1658	241	"48 E	5	50	1	110
8006 77 7	16.32	1657	197	+32 E	14	60	2	290	8046 77 8	9.21	1658	241	"45 W	1	50	1	30
8007 77 7	16.32	1657	197	-45 E	9	40	2	160	8047 77 8	9.21	1658	61	"24 W	2	50	2	40
8008 77 7	16.32	1657	17	-88 W	2	10	2	20	8048 77 8	9.21	1658	61	+33 W	13	80	2	220
8009 77 7	16.32	1657	17	+13 W	1	30	1	15	8049 77 8	9.21	1658	61	+49 E	6	40	2	90
8010 77 7	16.32	1657	17	+19 W	1	50	1	45	8050 77 8	12.20	1658	202	+16 E	3	20	1	30
8011 77 7	16.32	1657	17	+30 W	4	40	1	60	8051 77 8	12.20	1658	202	"21 E	3	20	1	40
8012 77 7	16.32	1657	17	+35 W	1	20	1	20	8052 77 8	12.20	1658	202	"42 E	3	40	1	50
8013 77 7	16.32	1657	17	+54 W	5	40	2	80	8053 77 8	12.20	1658	202	" 9 W	5	40	2	70
8014 77 7	17.19	1657	185	+48 E	7	60	1	190	8054 77 8	12.20	1658	22	+25 W	3	20	1	50
8015 77 7	17.19	1657	185	+27 E	5	70	1	130	8055 77 8	12.20	1658	22	+47 W	12	70	1	220
8016 77 7	17.19	1657	185	-45 E	6	40	2	130	8056 77 8	12.20	1658	22	+45 E	6	50	2	70
8017 77 7	17.19	1657	5	-67 W	5	30	2	70	8057 77 8	17.20	1658	136	+ 2 E	2	50	1	50
8018 77 7	17.19	1657	5	+18 W	1	80	1	60	8058 77 8	17.20	1658	136	-10 E	2	45	1	50
8019 77 7	17.19	1657	5	+33 W	1	50	1	35	8059 77 8	17.20	1658	136	"47 E	8	90	2	230
8020 77 7	17.19	1657	5	+52 W	6	30	2	70	8060 77 8	17.20	1658	136	"44 W	4	30	2	100
8021 77 7	20.19	1657	146	+23 E	7	100	1	180	8061 77 8	17.20	1658	316	+58 W	3	50	2	50
8022 77 7	20.19	1657	146	+ 6 E	3	20	1	30	8062 77 8	17.20	1658	316	+55 E	17	40	2	270
8023 77 7	20.19	1657	146	- 4 E	1	30	1	40	8063 77 8	25.27	1659	29	" 7 E	6	50	1	90
8024 77 7	20.19	1657	146	-40 E	5	20	2	70	8064 77 8	25.27	1659	29	"43 W	18	85	2	450
8025 77 7	20.19	1657	146	-45 E	2	10	2	20	8065 77 8	25.27	1659	209	+ 7 W	3	45	1	90
8026 77 7	20.19	1657	326	-47 W	4	20	2	60	8066 77 8	25.27	1659	209	+30 W	7	50	2	150
8027 77 7	20.19	1657	326	" 5 W	1	30	2	30	8067 77 8	25.27	1659	209	+53 E	12	60	2	230
8028 77 7	20.19	1657	326	+34 W	1	20	1	30	8068 77 8	26.25	1659	16	+21 E	8	50	1	80
8029 77 7	23.22	1657	106	+48 E	13	60	2	390	8069 77 8	26.25	1659	16	"43 W	17	85	2	430
8030 77 7	23.22	1657	106	+38 E	3	30	2	60	8070 77 8	26.25	1659	196					

TABLE 1 CONTINUED

TABLE 1 CONTINUED

8071	77	9	8	26.25	1659	196	+34 W	7	80	2	350	8111	77	9	26.38	1660	326	+27 E	4	20	2	70
8072	77	9	3.27	1659	271	+46 E	2	20	2	40	8112	77	9	26.38	1660	326	+13 E	1	25	1	30	
8073	77	9	3.27	1659	271	+35 E	2	30	1	40	8113	77	9	26.38	1660	326	-26 E	2	15	1	25	
8074	77	9	3.27	1659	271	+4 E	2	40	1	50	8114	77	9	26.38	1660	326	-43 E	3	20	1	20	
8075	77	9	3.27	1659	271	-29 E	3	50	2	50	8115	77	9	26.38	1660	326	-62 E	2	10	1	25	
8076	77	9	3.27	1659	271	-44 E	4	60	2	160	8116	77	9	26.38	1660	146	-51 W	2	10	1	20	
8077	77	9	3.27	1659	271	-51 E	3	30	2	90	8117	77	9	26.38	1660	146	-47 W	1	25	1	25	
8078	77	9	3.27	1659	91	-34 W	20	120	2	810	8118	77	9	26.38	1660	146	-35 W	5	40	2	70	
8079	77	9	3.27	1659	91	+39 W	1	30	1	20	8119	77	9	26.38	1660	146	-30 W	2	20	2	30	
8080	77	9	3.27	1659	91	+42 W	1	20	1	10	8120	77	9	26.38	1660	146	-4 W	3	30	1	50	
8081	77	9	3.27	1659	91	+43 W	1	40	1	20	8121	77	9	26.38	1660	146	+2 W	1	30	1	35	
8082	77	9	3.27	1659	91	+50 W	1	20	1	10	8122	77	9	26.38	1660	146	+22 W	1	10	1	10	
8083	77	9	7.25	1659	218	+30 E	10	40	3	160	8123	77	9	26.38	1660	146	+26 W	1	10	2	10	
8084	77	9	7.25	1659	218	+11 E	2	40	3	60	8124	77	9	26.38	1660	146	+32 W	1	10	1	10	
8085	77	9	7.25	1659	218	-48 E	7	90	2	180	8125	77	9	26.38	1660	146	+36 W	2	10	1	20	
8086	77	9	7.25	1659	38	-34 W	5	10	2	50	8126	77	9	27.33	1660	313	+55 E	4	50	3	100	
8087	77	9	7.25	1659	38	-9 W	2	30	1	30	8127	77	9	27.33	1660	313	-8 E	1	40	1	20	
8088	77	9	14.30	1659	125	+51 E	2	20	2	40	8128	77	9	27.33	1660	313	-12 E	1	30	1	15	
8089	77	9	14.30	1659	125	+31 E	3	20	2	40	8129	77	9	27.33	1660	313	-45 E	5	70	2	110	
8090	77	9	14.30	1659	125	+5 E	2	20	2	40	8130	77	9	27.33	1660	133	+28 W	5	10	3	50	
8091	77	9	14.30	1659	125	-48 E	7	60	2	180	8131	77	9	27.33	1660	133	+34 W	1	30	2	35	
8092	77	9	14.30	1659	305	-42 W	12	20	2	80	8132	77	9	27.33	1660	133	+48 W	3	10	2	30	
8093	77	9	24.36	1660	352	+20 E	3	30	2	35	8133	77	9	28.28	1660	300	+52 E	5	60	3	160	
8094	77	9	24.36	1660	172	-49 W	3	40	2	100	8134	77	9	28.28	1660	300	+47 E	2	30	2	40	
8095	77	9	24.36	1660	172	+20 W	2	40	2	50	8135	77	9	28.28	1660	300	+21 E	1	10	1	15	
8096	77	9	24.36	1660	172	+34 W	2	20	2	30	8136	77	9	28.28	1660	300	+18 E	1	30	1	25	
8097	77	9	25.27	1660	340	+51 E	2	20	2	25	8137	77	9	28.28	1660	300	+15 E	3	10	1	30	
8098	77	9	25.27	1660	340	+59 E	3	10	2	30	8138	77	9	28.28	1660	300	-17 E	3	10	2	35	
8099	77	9	25.27	1660	340	+36 E	2	10	2	20	8139	77	9	28.28	1660	300	-43 E	7	70	2	100	
8100	77	9	25.27	1660	340	+31 E	3	20	2	35	8140	77	9	28.28	1660	300	-50 E	2	30	2	40	
8101	77	9	25.27	1660	340	+11 E	2	30	2	50	8141	77	9	28.28	1660	120	-48 W	3	30	3	60	
8102	77	9	25.27	1660	340	+8 E	1	30	1	20	8142	77	9	28.28	1660	120	-38 W	2	30	3	40	
8103	77	9	25.27	1660	340	-7 E	1	40	1	30	8143	77	9	28.28	1660	120	-26 W	1	10	2	10	
8104	77	9	25.27	1660	160	-48 W	6	30	2	140	8144	77	9	28.28	1660	120	-24 W	1	20	2	20	
8105	77	9	25.27	1660	160	+1 W	5	10	2	50	8145	77	9	28.28	1660	120	-20 W	4	20	2	50	
8106	77	9	25.27	1660	160	+7 W	3	30	2	60	8146	77	9	28.28	1660	120	-8 W	1	20	1	15	
8107	77	9	25.27	1660	160	+25 W	5	30	2	80	8147	77	9	28.28	1660	120	+42 W	17	80	2	150	
8108	77	9	25.27	1660	160	+38 W	1	20	2	20	8148	77	10	2.40	1660	246	+28 E	8	40	2	100	
8109	77	9	26.38	1660	326	+55 E	6	40	2	75	8149	77	10	2.40	1660	246	-14 E	5	30	2	70	
8110	77	9	26.38	1660	326	+38 E	4	30	2	50	8150	77	10	2.40	1660	246	-33 E	12	50	2	130	

TABLE 1 CONTINUED

TABLE 1 CONTINUED

8151	77	10	2.40	1660	66	+34	W	26	60	2	650	8191	77	10	14.35	1661	88	-50	E	10	30	2	170
8152	77	10	2.40	1660	66	+25	W	11	75	2	80	8192	77	10	14.35	1661	268	-50	W	4	30	2	60
8153	77	10	2.40	1660	66	+51	W	17	60	2	340	8193	77	10	14.35	1661	268	-25	W	6	50	2	90
8154	77	10	6.37	1660	194	+21	E	25	140	2	920	8194	77	10	14.35	1661	268	+5	W	4	20	2	50
8155	77	10	6.37	1660	194	-20	E	2	20	2	30	8195	77	10	14.35	1661	268	+30	W	1	40	2	30
8156	77	10	6.37	1660	194	-69	E	2	30	2	40	8196	77	10	14.35	1661	268	+49	W	15	70	2	390
8157	77	10	6.37	1660	14	-8	W	10	50	2	140	8197	77	10	15.55	1661	73	+46	E	16	60	2	220
8158	77	10	6.37	1660	14	+35	W	11	70	2	290	8198	77	10	15.55	1661	73	+20	E	3	30	2	70
8159	77	10	7.32	1660	181	+26	E	20	50	2	490	8199	77	10	15.55	1661	73	-47	E	2	30	2	30
8160	77	10	7.32	1660	181	-37	E	13	30	2	110	8200	77	10	15.55	1661	253	-48	W	3	20	2	40
8161	77	10	7.32	1660	1	+17	W	6	50	2	90	8201	77	10	15.55	1661	253	+32	W	3	30	2	80
8162	77	10	7.32	1660	1	-4	W	7	80	2	120	8202	77	10	15.55	1661	253	-2	W	2	30	2	30
8163	77	10	7.32	1660	1	+54	W	15	100	2	430	8203	77	10	15.55	1661	253	+52	W	12	80	2	460
8164	77	10	8.30	1660	168	+37	E	19	40	2	220	8204	77	10	16.49	1661	60	+52	E	1	20	2	15
8165	77	10	8.30	1660	168	-34	E	8	30	2	120	8205	77	10	16.49	1661	60	+46	E	5	50	2	100
8166	77	10	8.30	1660	348	-13	W	17	40	2	160	8206	77	10	16.49	1661	60	+58	E	4	20	2	45
8167	77	10	8.30	1660	348	+7	W	1	50	2	50	8207	77	10	16.49	1661	60	-37	E	6	20	2	80
8168	77	10	8.30	1660	348	+38	W	15	30	2	140	8208	77	10	16.49	1661	60	-46	E	3	40	2	75
8169	77	10	9.30	1660	155	+22	E	13	50	2	120	8209	77	10	16.49	1661	60	-52	E	3	20	2	45
8170	77	10	9.30	1660	155	+34	E	4	50	2	80	8210	77	10	16.49	1661	240	-51	W	1	50	1	20
8171	77	10	9.30	1660	155	-9	E	5	40	2	130	8211	77	10	16.49	1661	240	-38	W	1	50	2	45
8172	77	10	9.30	1660	335	-29	W	15	30	2	210	8212	77	10	16.49	1661	240	-33	W	1	50	2	50
8173	77	10	9.30	1660	335	+11	W	2	50	2	50	8213	77	10	16.49	1661	240	-2	W	2	25	1	30
8174	77	10	9.30	1660	335	+23	W	2	20	2	20	8214	77	10	16.49	1661	240	+47	W	5	40	2	160
8175	77	10	9.30	1660	335	+33	W	1	20	1	10	8215	77	10	16.49	1661	240	+53	W	5	40	2	65
8176	77	10	9.30	1660	335	+44	W	10	30	2	80	8216	77	10	17.43	1661	48	+37	E	19	70	2	290
8177	77	10	10.35	1660	141	+35	E	8	30	2	70	8217	77	10	17.43	1661	48	+11	E	3	30	2	60
8178	77	10	10.35	1660	141	-50	E	7	50	2	210	8218	77	10	17.43	1661	48	-40	E	19	40	2	330
8179	77	10	10.35	1660	321	-31	W	11	20	2	90	8219	77	10	17.43	1661	228	-34	W	1	30	2	25
8180	77	10	10.35	1660	321	+14	W	10	40	2	100	8220	77	10	17.43	1661	228	+8	W	12	60	2	170
8181	77	10	10.35	1660	321	+34	W	1	10	2	20	8221	77	10	17.43	1661	228	+32	W	8	40	2	220
8182	77	10	10.35	1660	321	+46	W	8	20	2	110	8222	77	10	17.43	1661	228	+51	W	3	30	2	50
8183	77	10	13.41	1660	101	+33	E	10	30	2	90	8223	77	10	18.33	1661	36	+44	E	1	160	1	100
8184	77	10	13.41	1660	101	+27	E	3	20	2	40	8224	77	10	18.33	1661	36	+33	E	1	160	1	210
8185	77	10	13.41	1660	101	-24	E	6	20	2	70	8225	77	10	18.33	1661	36	+42	E	7	40	2	180
8186	77	10	13.41	1660	101	-46	E	15	40	2	290	8226	77	10	18.33	1661	36	+47	E	1	40	2	70
8187	77	10	13.41	1660	281	-49	W	9	30	2	100	8227	77	10	18.33	1661	36	-52	E	3	40	2	50
8188	77	10	13.41	1660	281	-11	W	8	40	2	140	8228	77	10	18.33	1661	216	+4	W	1	20	2	20
8189	77	10	13.41	1660	281	+49	W	13	50	2	280	8229	77	10	18.33	1661	216	+7	W	1	40	2	35
8190	77	10	14.35	1661	88	+52	E	10	50	2	210	8230	77	10	18.33	1661	216	+15	W	6	50	2	110

TABLE 1 CONTINUED

TABLE 1 CONTINUED

8231	77 10	18.33	1661	216	+25 W	13	70	2	210	8271	77 10	21.27	1661	177	-22 W	5	85	1	130
8232	77 10	19.27	1661	23	+38 E	2	10	2	30	8272	77 10	21.27	1661	177	0 W	1	10	1	10
8233	77 10	19.27	1661	23	+33 E	2	30	2	35	8273	77 10	21.27	1661	177	+28 W	17	50	2	230
8234	77 10	19.27	1661	23	-4 E	1	20	1	20	8274	77 10	22.41	1661	342	+40 E	8	20	2	60
8235	77 10	19.27	1661	23	-6 E	1	30	1	25	8275	77 10	22.41	1661	342	+16 E	13	80	2	230
8236	77 10	19.27	1661	23	-29 E	5	30	3	70	8276	77 10	22.41	1661	342	-9 E	1	30	1	25
8237	77 10	19.27	1661	23	-44 E	14	50	3	270	8277	77 10	22.41	1661	342	-24 E	5	30	2	60
8238	77 10	19.27	1661	203	-51 W	1	25	2	25	8278	77 10	22.41	1661	162	-49 W	6	40	2	100
8239	77 10	19.27	1661	203	-47 W	2	15	2	20	8279	77 10	22.41	1661	162	-22 W	6	60	2	120
8240	77 10	19.27	1661	203	-38 W	1	20	2	15	8280	77 10	22.41	1661	162	-3 W	3	20	1	35
8241	77 10	19.27	1661	203	-35 W	1	20	1	15	8281	77 10	22.41	1661	162	+30 W	3	20	2	40
8242	77 10	19.27	1661	203	-25 W	4	10	1	40	8282	77 10	23.28	1661	330	+32 E	4	30	2	100
8243	77 10	19.27	1661	203	-13 W	2	20	2	30	8283	77 10	23.28	1661	330	+27 E	4	25	2	80
8244	77 10	19.27	1661	203	-9 W	1	30	1	40	8284	77 10	23.28	1661	330	+20 E	2	10	2	20
8245	77 10	19.27	1661	203	-15 W	10	50	1	110	8285	77 10	23.28	1661	330	+13 E	3	10	1	30
8246	77 10	19.27	1661	203	+25 W	12	60	1	190	8286	77 10	23.28	1661	330	-25 E	3	20	2	40
8247	77 10	20.30	1661	10	+38 E	3	40	2	70	8287	77 10	23.28	1661	330	-28 E	1	20	1	20
8248	77 10	20.30	1661	10	+25 E	4	30	2	40	8288	77 10	23.28	1661	150	-50 W	8	30	2	130
8249	77 10	20.30	1661	10	-2 E	3	30	1	40	8289	77 10	23.28	1661	150	-12 W	1	30	1	25
8250	77 10	20.30	1661	10	-7 E	1	50	1	40	8290	77 10	23.28	1661	150	-5 W	1	10	1	10
8251	77 10	20.30	1661	10	-12 E	1	20	1	20	8291	77 10	23.28	1661	150	+31 W	2	30	2	40
8252	77 10	20.30	1661	10	-20 E	1	20	1	20	8292	77 10	23.28	1661	150	+39 W	4	20	3	40
8253	77 10	20.30	1661	10	-28 E	7	20	2	70	8293	77 10	27.34	1661	277	+56 E	2	35	2	50
8254	77 10	20.30	1661	10	-48 E	3	20	2	25	8294	77 10	27.34	1661	277	+51 E	3	40	2	60
8255	77 10	20.30	1661	10	-54 E	2	20	1	20	8295	77 10	27.34	1661	277	+30 E	2	10	2	20
8256	77 10	20.30	1661	190	-51 W	1	25	1	25	8296	77 10	27.34	1661	277	-6 E	1	20	1	15
8257	77 10	20.30	1661	190	-38 W	1	10	2	10	8297	77 10	27.34	1661	277	-22 E	2	30	1	35
8258	77 10	20.30	1661	190	-24 W	10	60	2	190	8298	77 10	27.34	1661	277	-46 E	6	60	3	150
8259	77 10	20.30	1661	190	+18 W	5	50	2	100	8299	77 10	27.34	1661	97	-12 W	9	30	2	80
8260	77 10	20.30	1661	190	+22 W	7	30	2	80	8300	77 10	27.34	1661	97	+49 W	6	30	2	130
8261	77 10	21.27	1661	357	+82 E	1	20	2	15	8301	77 10	28.31	1661	264	+55 E	1	30	3	30
8262	77 10	21.27	1661	357	+40 E	1	20	1	25	8302	77 10	28.31	1661	264	+47 E	4	60	2	120
8263	77 10	21.27	1661	357	+36 E	2	20	1	25	8303	77 10	28.31	1661	264	+32 E	5	30	2	70
8264	77 10	21.27	1661	357	+18 E	6	20	2	45	8304	77 10	28.31	1661	264	-46 E	6	60	3	160
8265	77 10	21.27	1661	357	-22 E	2	30	2	30	8305	77 10	28.31	1661	84	-52 W	5	30	3	70
8266	77 10	21.27	1661	177	-52 W	2	10	2	15	8306	77 10	28.31	1661	84	-37 W	15	50	2	250
8267	77 10	21.27	1661	177	-49 W	1	10	2	15	8307	77 10	28.31	1661	84	-15 W	13	50	1	130
8268	77 10	21.27	1661	177	-40 W	3	30	2	60	8308	77 10	28.31	1661	84	+16 W	16	60	2	230
8269	77 10	21.27	1661	177	-33 W	4	50	1	50	8309	77 10	28.31	1661	84	+47 W	6	55	2	140
8270	77 10	21.27	1661	177	-28 W	1	50	1	80	8310	77 10	29.32	1661	251	+46 E	1	90	2	70

TABLE 1. CONTINUED

TABLE 1. CONTINUED

8311	77 10	29.32	1661	251	+32 E	9	30	2	70	8351	77 11	11.32	1662	259	-44 W	16	60	1	330
8312	77 10	29.32	1661	251	+19 E	5	30	2	70	8352	77 11	11.32	1662	259	-21 W	3	20	2	40
8313	77 10	29.32	1661	251	0 E	3	30	1	35	8353	77 11	11.32	1662	259	-2 W	4	40	2	60
8314	77 10	29.32	1661	251	-48 E	6	50	3	120	8354	77 11	11.32	1662	259	+18 W	2	70	2	80
8315	77 10	29.32	1661	71	-51 W	4	30	3	170	8355	77 11	11.32	1662	259	+53 W	5	60	1	200
8316	77 10	29.32	1661	71	-58 W	7	30	3	170	8356	77 11	12.51	1662	63	+55 E	2	30	2	50
8317	77 10	29.32	1661	71	-11 W	11	40	1	110	8357	77 11	12.51	1662	63	+33 E	21	30	2	230
8318	77 10	29.32	1661	71	+22 W	28	40	2	200	8358	77 11	12.51	1662	63	-23 E	5	40	2	90
8319	77 10	29.32	1661	71	+52 W	3	40	3	50	8359	77 11	12.51	1662	63	-52 E	12	20	2	140
8320	77 10	30.33	1661	237	+46 E	2	50	1	55	8360	77 11	12.51	1662	243	-40 W	21	40	2	240
8321	77 10	30.33	1661	237	+35 E	2	50	2	50	8361	77 11	12.51	1662	243	+1 W	2	30	2	40
8322	77 10	30.33	1661	237	-32 E	2	20	2	35	8362	77 11	12.51	1662	243	+29 W	3	50	2	110
8323	77 10	30.33	1661	237	-52 E	5	40	2	120	8363	77 11	12.51	1662	243	+50 W	20	50	1	250
8324	77 10	30.33	1661	57	-48 W	6	45	3	130	8364	77 11	12.51	1662	243	+75 W	2	20	2	30
8325	77 10	30.33	1661	57	-4 W	1	30	1	30	8365	77 11	14.34	1662	39	+41 E	25	60	2	360
8326	77 10	30.33	1661	57	+16 W	18	30	1	130	8366	77 11	14.34	1662	39	+17 E	1	10	3	10
8327	77 10	30.33	1661	57	+43 W	1	30	1	20	8367	77 11	14.34	1662	39	+4 E	5	10	2	50
8328	77 10	30.33	1661	57	+51 W	7	60	3	220	8368	77 11	14.34	1662	39	-20 E	17	50	2	160
8329	77 11	7.35	1661	132	+35 E	10	40	2	230	8369	77 11	14.34	1662	39	-55 E	14	30	2	230
8330	77 11	7.35	1661	132	+19 E	3	40	2	70	8370	77 11	14.34	1662	219	-52 W	4	30	2	60
8331	77 11	7.35	1661	132	-2 E	2	30	2	30	8371	77 11	14.34	1662	219	-19 W	6	30	2	90
8332	77 11	7.35	1661	132	-45 E	10	40	2	140	8372	77 11	14.34	1662	219	+1 W	6	40	2	140
8333	77 11	7.35	1661	312	-58 W	1	50	2	30	8373	77 11	14.34	1662	219	+35 W	5	80	2	260
8334	77 11	7.35	1661	312	-3 W	20	30	1	380	8374	77 11	14.34	1662	219	+64 W	14	20	2	40
8335	77 11	7.35	1661	312	+42 W	2	30	2	20	8375	77 11	25.37	1662	254	+50 E	9	80	2	410
8336	77 11	8.29	1661	119	+57 E	8	10	2	60	8376	77 11	25.37	1662	254	+27 E	5	20	2	50
8337	77 11	8.29	1661	119	+30 E	28	40	1	360	8377	77 11	25.37	1662	254	+14 E	1	50	2	20
8338	77 11	8.29	1661	119	+9 E	2	20	2	40	8378	77 11	25.37	1662	254	-39 E	23	40	2	290
8339	77 11	8.29	1661	119	+11 E	2	30	2	30	8379	77 11	25.37	1662	74	-35 W	10	70	2	180
8340	77 11	8.29	1661	119	-28 E	5	20	2	60	8380	77 11	25.37	1662	74	-20 W	5	20	3	80
8341	77 11	8.29	1661	119	-56 E	3	20	2	30	8381	77 11	25.37	1662	74	+14 W	10	20	2	70
8342	77 11	8.29	1661	119	-62 E	17	20	2	160	8382	77 11	25.37	1662	74	+27 W	6	30	2	100
8343	77 11	8.29	1661	299	-59 W	6	20	2	40	8383	77 11	25.37	1662	74	+44 W	9	40	2	130
8344	77 11	8.29	1661	299	-77 W	14	40	2	170	8384	77 11	25.37	1662	74	+79 W	5	20	3	30
8345	77 11	8.29	1661	299	-14 W	5	30	2	40	8385	77 11	28.41	1662	214	+44 E	19	150	1	870
8346	77 11	8.29	1661	299	+44 W	24	30	1	300	8386	77 11	28.41	1662	214	+29 E	12	30	2	90
8347	77 11	11.32	1662	79	+44 E	18	30	2	180	8387	77 11	28.41	1662	214	-20 E	4	30	2	90
8348	77 11	11.32	1662	79	+19 E	18	40	1	290	8388	77 11	28.41	1662	214	-41 E	5	70	1	210
8349	77 11	11.32	1662	79	-10 E	3	20	2	40	8389	77 11	28.41	1662	214	-55 E	8	50	2	230
8350	77 11	11.32	1662	79	-50 E	10	20	2	50	8390	77 11	28.41	1662	34	-65 W	5	20	2	70

TABLE 1 CONTINUED

TABLE 1 CONTINUED

8391	77	11	28.41	1662	34	-18	W	5	50	2	150	8431	77	12	11.35	1663	223	+9	W	5	30	3	140
8392	77	11	28.41	1662	34	+52	W	7	50	2	130	8432	77	12	11.35	1663	223	+48	W	11	70	3	410
8393	77	11	30.36	1662	188	+43	E	16	80	1	510	8433	77	12	12.36	1663	229	+52	E	3	40	2	60
8394	77	11	30.36	1662	188	+20	E	5	100	1	500	8434	77	12	12.36	1663	229	+28	E	8	20	2	70
8395	77	11	30.36	1662	188	+9	E	2	30	2	40	8435	77	12	12.36	1663	229	+16	E	1	20	1	15
8396	77	11	30.36	1662	188	-33	E	2	40	2	30	8436	77	12	12.36	1663	229	+8	E	6	30	1	50
8397	77	11	30.36	1662	188	-60	E	6	20	2	80	8437	77	12	12.36	1663	229	+52	E	4	40	3	100
8398	77	11	30.36	1662	8	-46	W	13	40	2	320	8438	77	12	12.36	1663	209	+53	W	3	20	1	40
8399	77	11	30.36	1662	8	-2	W	2	20	2	20	8439	77	12	12.36	1663	209	+46	W	5	20	1	50
8400	77	11	30.36	1662	8	+52	W	10	70	1	240	8440	77	12	12.36	1663	209	+56	W	6	30	2	80
8401	77	12	8.37	1663	82	+46	E	4	10	2	40	8441	77	12	12.36	1663	209	+9	W	3	20	2	40
8402	77	12	8.37	1663	82	+15	E	1	20	1	15	8442	77	12	12.36	1663	209	+15	W	3	10	2	30
8403	77	12	8.37	1663	82	-35	E	6	30	2	60	8443	77	12	12.36	1663	209	+20	W	2	20	2	30
8404	77	12	8.37	1663	262	-45	W	3	20	2	40	8444	77	12	12.36	1663	209	+46	W	15	90	2	780
8405	77	12	8.37	1663	262	+40	W	2	50	2	40	8445	77	12	12.36	1663	17	+57	E	1	40	1	30
8406	77	12	8.37	1663	262	-34	W	7	30	2	60	8446	77	12	12.36	1663	17	+49	E	11	90	1	140
8407	77	12	8.37	1663	262	-23	W	9	50	2	110	8447	77	12	12.36	1663	17	+21	E	1	40	2	40
8408	77	12	8.37	1663	262	+28	W	5	40	2	90	8448	77	12	12.36	1663	17	+15	E	1	70	1	50
8409	77	12	8.37	1663	262	+47	W	4	20	1	45	8449	77	12	12.36	1663	17	+50	E	5	30	3	100
8410	77	12	10.35	1663	56	+39	E	3	60	3	160	8450	77	12	12.36	1663	197	+51	W	6	50	2	120
8411	77	12	10.35	1663	56	+12	E	3	10	2	30	8451	77	12	12.36	1663	197	+38	W	3	30	2	50
8412	77	12	10.35	1663	56	+4	E	10	40	2	150	8452	77	12	12.36	1663	197	+21	W	4	40	1	40
8413	77	12	10.35	1663	56	+7	E	1	40	2	35	8453	77	12	12.36	1663	197	+11	W	6	60	1	120
8414	77	12	10.35	1663	56	-11	E	1	30	2	20	8454	77	12	12.36	1663	197	+18	W	4	30	2	60
8415	77	12	10.35	1663	56	+54	E	4	20	2	60	8455	77	12	12.36	1663	197	+43	W	20	90	2	850
8416	77	12	10.35	1663	236	-64	W	6	40	3	100	8456	77	12	12.36	1663	323	+46	E	11	95	1	160
8417	77	12	10.35	1663	236	-36	W	3	20	2	30	8457	77	12	12.36	1663	323	+28	E	1	20	1	15
8418	77	12	10.35	1663	236	-30	W	2	30	2	45	8458	77	12	12.36	1663	323	+22	E	2	10	1	15
8419	77	12	10.35	1663	236	-10	W	1	20	1	20	8459	77	12	12.36	1663	323	+16	E	3	15	1	30
8420	77	12	10.35	1663	236	+3	W	3	20	1	40	8460	77	12	12.36	1663	323	-1	E	1	20	1	30
8421	77	12	10.35	1663	236	+53	W	4	60	3	140	8461	77	12	12.36	1663	323	+22	E	8	15	2	80
8422	77	12	11.35	1663	43	+78	E	3	20	2	40	8462	77	12	12.36	1663	143	+51	W	6	30	3	80
8423	77	12	11.35	1663	43	+42	E	1	20	2	20	8463	77	12	12.36	1663	143	+37	W	17	60	2	170
8424	77	12	11.35	1663	43	+33	E	4	50	2	70	8464	77	12	12.36	1663	143	+21	W	1	10	1	10
8425	77	12	11.35	1663	43	+28	E	5	20	2	80	8465	77	12	12.36	1663	143	+19	W	1	15	2	20
8426	77	12	11.35	1663	43	+16	E	1	30	1	25	8466	77	12	12.36	1663	143	+12	W	1	20	2	20
8427	77	12	11.35	1663	43	+4	E	13	50	2	170	8467	77	12	12.36	1663	143	+7	W	1	20	2	20
8428	77	12	11.35	1663	43	-54	E	4	20	3	90	8468	77	12	12.36	1663	143	-5	W	1	10	2	10
8429	77	12	11.35	1663	223	-38	W	12	30	2	210	8469	77	12	12.36	1663	143	+5	W	10	20	2	70
8430	77	12	11.35	1663	223	-8	W	1	10	2	10	8470	77	12	12.36	1663	143	+30	W	6	30	2	100

TABLE 1 CONTINUED

TABLE 3 CONTINUED

8471	77	12	17.40	1663	143	+41 W	9	80	2	180	8511	78	1	19.40	1664	247	+28 E	12	110	2	710
8472	77	12	21.40	1663	270	+28 E	10	30	2	190	8512	78	1	19.40	1664	247	+27 E	2	15	2	20
8473	77	12	21.40	1663	270	-1 E	1	50	3	30	8513	78	1	19.40	1664	247	+27 E	3	35	2	70
8474	77	12	21.40	1663	270	-33 E	1	40	1	50	8514	78	1	19.40	1664	247	-34 E	3	20	2	30
8475	77	12	21.40	1663	90	-49 W	5	20	2	70	8515	78	1	19.40	1664	67	-51 W	8	20	2	90
8476	77	12	21.40	1663	90	-31 W	7	30	2	100	8516	78	1	19.40	1664	67	0 W	3	10	1	20
8477	77	12	21.40	1663	90	+32 W	1	30	2	25	8517	78	1	19.40	1664	67	+14 W	5	10	1	30
8478	77	12	22.40	1663	257	+20 E	3	10	1	30	8518	78	1	19.40	1664	67	+24 W	1	30	1	20
8479	77	12	22.40	1663	257	-23 E	3	10	1	30	8519	78	1	19.40	1664	67	+39 W	1	35	1	25
8480	77	12	22.40	1663	257	-27 E	3	10	1	25	8520	78	1	19.40	1664	67	+44 W	1	50	1	35
8481	77	12	22.40	1663	257	-34 E	3	20	1	35	8521	78	1	20.34	1664	235	+32 E	30	150	2	560
8482	77	12	22.40	1663	77	-50 W	1	20	1	25	8522	78	1	20.34	1664	235	+9 E	2	15	2	25
8483	77	12	22.40	1663	77	-35 W	4	30	1	50	8523	78	1	20.34	1664	235	+2 E	8	30	2	130
8484	77	12	22.40	1663	77	+21 W	1	20	2	20	8524	78	1	20.34	1664	55	-51 W	6	20	2	50
8485	77	12	22.40	1663	77	+27 W	2	20	2	30	8525	78	1	20.34	1664	55	-30 W	4	15	2	40
8486	77	12	22.40	1663	77	+35 W	2	25	2	35	8526	78	1	20.34	1664	55	-1 W	2	35	1	50
8487	78	1	8.34	1664	33	+27 E	1	30	2	30	8527	78	1	20.34	1664	55	+13 W	6	20	1	50
8488	78	1	8.34	1664	33	+6 E	9	30	2	180	8528	78	1	20.34	1664	55	+41 W	2	10	1	20
8489	78	1	8.34	1664	213	+29 W	3	45	2	90	8529	78	1	20.34	1664	55	+45 W	1	10	1	10
8490	78	1	8.34	1664	213	+23 W	8	50	2	120	8530	78	1	21.36	1664	222	+40 E	40	110	2	580
8491	78	1	8.34	1664	213	+22 W	3	20	2	25	8531	78	1	21.36	1664	222	+4 E	6	30	2	100
8492	78	1	8.34	1664	213	+44 W	3	40	2	50	8532	78	1	21.36	1664	222	-12 E	1	20	1	15
8493	78	1	15.32	1664	301	+55 E	12	90	1	220	8533	78	1	21.36	1664	222	-19 E	2	30	1	40
8494	78	1	15.32	1664	301	-39 E	3	20	2	50	8534	78	1	21.36	1664	42	-50 W	6	30	2	70
8495	78	1	15.32	1664	121	-63 W	3	10	2	30	8535	78	1	21.36	1664	42	0 W	2	10	2	20
8496	78	1	15.32	1664	121	-1 W	2	10	2	20	8536	78	1	21.36	1664	42	+16 W	2	20	2	25
8497	78	1	15.32	1664	121	+28 W	2	10	1	20	8537	78	1	21.36	1664	42	+40 W	3	10	2	30
8498	78	1	15.32	1664	121	+37 W	8	60	2	90	8538	78	1	21.36	1664	42	+46 W	1	20	2	25
8499	78	1	16.34	1664	288	+49 E	8	60	2	280	8539	78	1	22.34	1664	209	+40 E	12	90	2	290
8500	78	1	16.34	1664	288	+2 E	3	15	1	25	8540	78	1	22.34	1664	209	+21 E	4	20	2	50
8501	78	1	16.34	1664	288	-11 E	4	30	1	40	8541	78	1	22.34	1664	209	-17 E	9	20	2	100
8502	78	1	16.34	1664	288	-34 E	4	20	2	40	8542	78	1	22.34	1664	209	-46 E	6	20	1	70
8503	78	1	16.34	1664	288	-74 E	1	20	1	15	8543	78	1	22.34	1664	29	-52 W	4	30	3	70
8504	78	1	16.34	1664	108	-66 W	6	30	2	70	8544	78	1	22.34	1664	29	+49 W	8	20	2	100
8505	78	1	16.34	1664	108	-29 W	1	20	2	15	8545	78	1	23.32	1664	196	+52 E	5	60	2	95
8506	78	1	16.34	1664	108	-17 W	1	20	1	15	8546	78	1	23.32	1664	196	+20 E	4	30	3	65
8507	78	1	16.34	1664	108	-7 W	1	20	1	20	8547	78	1	23.32	1664	196	-8 E	1	50	1	50
8508	78	1	16.34	1664	108	+2 W	2	20	1	25	8548	78	1	23.32	1664	196	-25 E	8	35	2	110
8509	78	1	16.34	1664	108	+26 W	1	30	1	25	8549	78	1	23.32	1664	196	+51 E	17	30	2	200
8510	78	1	16.34	1664	108	+34 W	7	90	2	170	8550	78	1	23.32	1664	16	-52 W	1	50	3	90

TABLE 1 CONTINUED

TABLE 1 CONTINUED

8551	78	1	23.32	1664	16	+37	W	2	30	2	30	2	30	8591	78	2	6.32	1665	191	+52	W	3	10	1	30
8552	78	1	23.32	1664	16	+25	W	10	30	2	100	2	100	8592	78	2	9.47	1665	329	+51	E	13	40	2	150
8553	78	1	23.32	1664	16	+12	W	10	35	1	80	2	80	8593	78	2	9.47	1665	149	-49	W	6	60	1	100
8554	78	1	23.32	1664	16	+23	W	13	30	2	120	2	120	8594	78	2	9.47	1665	149	-21	W	2	10	1	20
8555	78	1	23.32	1664	16	+48	W	7	30	2	70	2	70	8595	78	2	9.47	1665	149	+15	W	1	30	1	20
8556	78	1	24.34	1664	182	+21	E	3	35	3	70	2	70	8596	78	2	9.47	1665	149	+17	W	9	60	1	100
8557	78	1	24.34	1664	182	+17	E	24	150	2	240	2	240	8597	78	2	9.47	1665	149	+26	W	1	50	1	30
8558	78	1	24.34	1664	182	+66	E	6	85	2	220	2	220	8598	78	2	9.47	1665	149	+31	W	3	10	1	40
8559	78	1	24.34	1664	2	+32	W	6	30	2	80	2	80	8599	78	1	9.47	1665	149	+40	W	1	30	1	25
8560	78	1	24.34	1664	2	+37	W	3	40	2	50	2	50	8600	78	2	9.47	1665	149	+55	W	2	20	1	30
8561	78	1	24.34	1664	2	+6	W	7	30	2	100	2	100	8601	78	2	10.35	1665	318	+57	E	6	30	2	80
8562	78	1	24.34	1664	2	+26	W	3	25	2	30	2	30	8602	78	2	10.35	1665	318	+48	E	1	10	1	10
8563	78	1	24.34	1664	2	+63	W	4	10	1	30	2	30	8603	78	2	10.35	1665	318	+43	E	2	10	1	20
8564	78	1	24.34	1664	2	+49	W	4	25	1	60	2	60	8604	78	2	10.35	1665	318	+14	E	2	10	1	30
8565	78	2	3.32	1665	50	+38	E	26	60	2	460	2	460	8605	78	2	10.35	1665	318	+4	E	1	30	1	30
8566	78	2	3.32	1665	230	+28	W	2	20	1	30	2	30	8606	78	2	10.35	1665	318	-11	E	1	30	1	30
8567	78	2	3.32	1665	230	+35	W	16	70	3	380	2	380	8607	78	2	10.35	1665	318	+25	E	1	20	2	30
8568	78	2	3.32	1665	230	+49	W	4	10	2	40	2	40	8608	78	2	10.35	1665	318	+51	W	3	80	3	140
8569	78	2	5.36	1665	24	+47	E	17	70	2	250	2	250	8609	78	2	10.35	1665	318	+10	W	1	40	1	35
8570	78	2	5.36	1665	24	+15	E	14	60	2	190	2	190	8610	78	2	10.35	1665	318	+15	W	1	40	1	25
8571	78	2	5.36	1665	24	-1	E		40	1	20	2	20	8611	78	2	10.35	1665	318	+23	W	1	30	1	25
8572	78	2	5.36	1665	24	+20	E	1	20	2	30	2	30	8612	78	2	10.35	1665	318	+33	W	3	10	2	30
8573	78	2	5.36	1665	24	+20	E	3	10	2	30	2	30	8613	78	2	10.35	1665	318	+37	W	2	20	2	25
8574	78	2	5.36	1665	24	+52	E	5	30	2	100	2	100	8614	78	2	10.35	1665	318	+44	W	1	20	2	25
8575	78	2	5.36	1665	204	+12	W	4	20	2	80	2	80	8615	78	2	10.35	1665	318	+84	W	3	20	2	25
8576	78	2	5.36	1665	204	+23	W	7	30	2	120	2	120	8616	78	2	13.34	1665	278	+53	E	1	20	1	20
8577	78	2	5.36	1665	204	+37	W	1	10	2	15	2	15	8617	78	2	13.34	1665	278	+33	E	1	30	1	40
8578	78	2	5.36	1665	204	+52	W	5	20	2	60	2	60	8618	78	2	13.34	1665	278	+25	E	3	20	2	30
8579	78	2	5.36	1665	204	+80	W	2	10	2	25	2	25	8619	78	2	13.34	1665	278	-47	E	9	30	2	140
8580	78	2	6.32	1665	11	+51	E	11	60	2	210	2	210	8620	78	2	13.34	1665	98	-54	W	7	50	2	340
8581	78	2	6.32	1665	11	+22	E	14	20	2	230	2	230	8621	78	2	13.34	1665	98	+29	W	5	20	2	60
8582	78	2	6.32	1665	11	+14	E	1	30	1	35	2	35	8622	78	2	13.34	1665	98	+16	W	1	20	1	30
8583	78	2	6.32	1665	11	+23	E	7	20	1	80	2	80	8623	78	2	13.34	1665	98	+9	W	8	30	2	70
8584	78	2	6.32	1665	11	+34	E	11	30	2	150	2	150	8624	78	2	13.34	1665	98	+36	W	5	30	2	80
8585	78	2	6.32	1665	11	+52	E	7	20	2	120	2	120	8625	78	2	13.34	1665	98	+44	W	2	20	1	30
8586	78	2	6.32	1665	191	+19	W	4	10	2	40	2	40	8626	78	2	13.34	1665	98	+48	W	1	40	1	30
8587	78	2	6.32	1665	191	+6	W	1	20	1	20	2	20	8627	78	2	17.48	1665	224	+35	E	7	50	3	300
8588	78	2	6.32	1665	191	+4	W	1	20	1	20	2	20	8628	78	2	17.48	1665	224	+27	E	5	40	3	110
8589	78	2	6.32	1665	191	+23	W	6	40	2	180	2	180	8629	78	2	17.48	1665	224	+9	E	3	30	3	60
8590	78	2	6.32	1665	191	+33	W	9	40	2	190	2	190	8630	78	2	17.48	1665	224	+13	E	5	20	3	75

TABLE 1 CONTINUED

TABLE 1 CONTINUED

8631 78	2	17.48	1665	44	-51 W	5	30	2	120	8671 78	2	28.50	1666	258	+31 W	2	30	2	38
8632 78	2	17.48	1665	44	+11 W	7	70	2	260	8672 78	2	28.50	1666	258	-16 W	1	20	1	23
8633 78	2	17.48	1665	44	+41 W	2	20	1	30	8673 78	2	28.50	1666	258	+27 W	7	20	2	90
8634 78	2	17.48	1665	44	+46 W	3	20	1	40	8674 78	2	28.50	1666	258	+49 W	7	30	2	70
8635 78	2	17.48	1665	44	+52 W	1	10	1	15	8675 78	3	3.57	1666	38	+45 E	15	80	2	620
8636 78	2	19.38	1665	199	+43 E	5	20	2	90	8676 78	3	3.57	1666	38	+1 E	4	50	2	100
8637 78	2	19.38	1665	199	-8 E	3	20	1	40	8677 78	3	3.57	1666	38	+40 E	6	50	2	90
8638 78	2	19.38	1665	19	-48 W	5	40	3	150	8678 78	3	3.57	1666	38	-53 E	6	35	2	120
8639 78	2	19.38	1665	19	-18 W	4	60	2	110	8679 78	3	3.57	1666	218	-54 W	3	45	2	100
8640 78	2	19.38	1665	19	-2 W	9	30	2	100	8680 78	3	3.57	1666	218	+23 W	5	50	1	70
8641 78	2	19.38	1665	19	+10 W	2	60	2	100	8681 78	3	3.57	1666	218	+41 W	4	70	1	210
8642 78	2	19.38	1665	19	+20 W	3	30	2	90	8682 78	3	3.57	1666	218	+50 W	5	120	1	270
8643 78	2	19.38	1665	19	+35 W	2	20	2	30	8683 78	3	4.46	1666	26	+44 E	17	90	2	390
8644 78	2	20.41	1665	185	+27 E	1	30	2	30	8684 78	3	4.46	1666	26	+19 E	4	20	2	60
8645 78	2	20.41	1665	185	+3 E	1	140	1	150	8685 78	3	4.46	1666	26	+51 E	7	35	2	170
8646 78	2	20.41	1665	185	+22 E	2	30	2	70	8686 78	3	4.46	1666	206	+18 W	9	40	1	260
8647 78	2	20.41	1665	185	+62 E	22	70	1	130	8687 78	3	4.46	1666	206	+40 W	5	30	1	110
8648 78	2	20.41	1665	5	-49 W	5	30	2	100	8688 78	3	4.46	1666	206	+63 W	5	80	1	150
8649 78	2	20.41	1665	5	+40 W	4	40	2	80	8689 78	3	23.27	1666	138	+43 E	5	10	2	50
8650 78	2	20.41	1665	5	-19 W	4	60	2	100	8690 78	3	23.27	1666	138	+37 E	2	40	2	60
8651 78	2	20.41	1665	5	+5 W	3	30	2	50	8691 78	3	23.27	1666	138	+30 E	5	20	2	90
8652 78	2	20.41	1665	5	+15 W	8	50	1	60	8692 78	3	23.27	1666	138	+21 E	6	20	2	110
8653 78	2	20.41	1665	5	+42 W	1	10	2	10	8693 78	3	23.27	1666	138	-10 E	3	40	2	120
8654 78	2	20.41	1665	5	+60 W	1	20	2	20	8694 78	3	23.27	1666	138	-16 E	2	20	2	30
8655 78	2	21.44	1665	171	+32 E	10	30	2	190	8695 78	3	23.27	1666	138	-13 E	3	30	1	40
8656 78	2	21.44	1665	171	-38 E	1	30	1	30	8696 78	3	23.27	1666	318	-52 W	13	30	2	120
8657 78	2	21.44	1665	171	-66 E	5	80	1	110	8697 78	3	23.27	1666	318	-35 W	8	40	1	70
8658 78	2	21.44	1665	351	+52 W	2	20	2	30	8698 78	3	23.27	1666	318	-22 W	8	30	1	50
8659 78	2	21.44	1665	351	-46 W	4	30	2	60	8699 78	3	23.27	1666	318	+3 W	4	50	2	80
8660 78	2	21.44	1665	351	+11 W	1	20	1	15	8700 78	3	23.27	1666	318	+19 W	3	30	1	50
8661 78	2	21.44	1665	351	+31 W	3	10	2	35	8701 78	3	23.27	1666	318	+30 W	5	20	2	50
8662 78	2	21.44	1665	351	+54 W	7	40	2	180	8702 78	3	23.27	1666	318	+53 W	1	10	1	10
8663 78	2	28.50	1666	78	+39 E	8	40	2	150	8703 78	3	29.34	1667	57	+49 E	6	20	2	100
8664 78	2	28.50	1666	78	+31 E	1	35	1	35	8704 78	3	29.34	1667	57	+42 E	4	30	2	80
8665 78	2	28.50	1666	78	+36 E	4	45	2	130	8705 78	3	29.34	1667	57	+28 E	2	20	2	30
8666 78	2	28.50	1666	78	+14 E	1	50	1	40	8706 78	3	29.34	1667	57	+11 E	1	40	1	20
8667 78	2	28.50	1666	78	-12 E	1	20	1	20	8707 78	3	29.34	1667	57	-2 E	7	70	2	240
8668 78	2	28.50	1666	78	-48 E	3	20	1	40	8708 78	3	29.34	1667	57	-53 E	5	50	2	100
8669 78	2	28.50	1666	78	-33 E	2	10	1	15	8709 78	3	29.34	1667	57	-80 E	1	20	1	15
8670 78	2	28.50	1666	258	-49 W	2	20	2	30	8710 78	3	29.34	1667	237	-52 W	3	20	2	50

TABLE 1 CONTINUED

TABLE 1 CONTINUED

8711 78	3	29.34	1667	237	-17 W	11	80	2	440	8751 78	4	6.48	1667	310	+43 E	6	15	3	60
8712 78	3	29.34	1667	237	+3 W	1	40	1	30	8752 78	4	6.48	1667	310	+21 E	6	27	3	70
8713 78	3	29.34	1667	237	+13 W	11	30	2	230	8753 78	4	6.48	1667	310	-1 E	5	35	1	60
8714 78	3	29.34	1667	237	+31 W	9	50	2	240	8754 78	4	6.48	1667	310	-45 E	8	25	2	80
8715 78	3	29.34	1667	237	+47 W	8	30	2	120	8755 78	4	6.48	1667	310	-56 E	5	40	3	90
8716 78	3	30.27	1667	45	+38 E	29	80	2	450	8756 78	4	6.48	1667	130	-32 W	10	30	3	190
8717 78	3	30.27	1667	45	-1 E	7	30	2	120	8757 78	4	6.48	1667	130	-5 W	1	30	2	30
8718 78	3	30.27	1667	45	-29 E	1	30	2	30	8758 78	4	7.30	1667	299	+49 E	5	30	3	90
8719 78	3	30.27	1667	45	-55 E	2	10	1	20	8759 78	4	7.30	1667	299	+25 E	1	40	1	25
8720 78	3	30.27	1667	225	-47 W	7	40	2	120	8760 78	4	7.30	1667	299	+12 E	6	30	3	120
8721 78	3	30.27	1667	225	-36 W	2	20	2	40	8761 78	4	7.30	1667	299	-9 E	1	30	1	30
8722 78	3	30.27	1667	225	-12 W	10	40	2	170	8762 78	4	7.30	1667	299	-27 E	4	30	2	80
8723 78	3	30.27	1667	225	+3 W	1	30	1	30	8763 78	4	7.30	1667	299	-46 E	3	35	2	45
8724 78	3	30.27	1667	225	+14 W	7	30	1	80	8764 78	4	7.30	1667	299	-56 E	3	40	3	90
8725 78	3	30.27	1667	225	+30 W	13	60	2	360	8765 78	4	7.30	1667	119	-37 W	10	25	3	140
8726 78	3	30.27	1667	225	+36 W	13	60	1	130	8766 78	4	7.30	1667	119	+10 W	3	30	2	30
8727 78	3	31.25	1667	32	+66 E	1	20	1	20	8767 78	4	7.30	1667	119	+17 W	1	30	1	25
8728 78	3	31.25	1667	32	+42 E	21	110	2	330	8768 78	4	7.30	1667	119	+41 W	5	40	2	90
8729 78	3	31.25	1667	32	-23 E	3	30	1	40	8769 78	4	8.24	1667	287	+52 E	4	20	2	70
8730 78	3	31.25	1667	32	-36 E	2	10	1	20	8770 78	4	8.24	1667	287	+35 E	2	50	1	60
8731 78	3	31.25	1667	32	-50 E	4	20	2	50	8771 78	4	8.24	1667	287	+20 E	1	30	1	20
8732 78	3	31.25	1667	212	-44 W	9	40	2	100	8772 78	4	8.24	1667	287	-22 E	5	20	2	75
8733 78	3	31.25	1667	212	-25 W	2	10	2	20	8773 78	4	8.24	1667	287	-32 E	2	15	2	20
8734 78	3	31.25	1667	212	-11 W	3	30	2	70	8774 78	4	8.24	1667	287	-57 E	6	25	2	85
8735 78	3	31.25	1667	212	+16 W	5	50	2	120	8775 78	4	8.24	1667	107	-20 W	8	20	3	120
8736 78	3	31.25	1667	212	+29 W	5	20	2	80	8776 78	4	8.24	1667	107	+22 W	5	30	3	90
8737 78	3	31.25	1667	212	+55 W	15	50	2	260	8777 78	4	9.27	1667	273	+52 E	3	30	2	50
8738 78	4	1.32	1667	18	+31 E	11	55	3	200	8778 78	4	9.27	1667	273	+33 E	1	70	1	70
8739 78	4	1.32	1667	18	-27 E	1	40	1	40	8779 78	4	9.27	1667	273	+20 E	11	40	1	100
8740 78	4	1.32	1667	198	-45 W	4	28	1	35	8780 78	4	9.27	1667	273	+10 E	2	30	1	50
8741 78	4	1.32	1667	198	+5 W	3	55	2	130	8781 78	4	9.27	1667	273	-56 E	4	35	3	80
8742 78	4	1.32	1667	198	+16 W	2	80	1	50	8782 78	4	9.27	1667	93	-47 W	4	25	3	70
8743 78	4	1.32	1667	198	+50 W	11	45	3	210	8783 78	4	9.27	1667	93	-27 W	6	30	3	90
8744 78	4	4.34	1667	338	+48 E	5	40	3	130	8784 78	4	9.27	1667	93	-8 W	4	40	1	60
8745 78	4	4.34	1667	338	+35 E	3	25	1	40	8785 78	4	10.27	1667	260	+58 E	1	20	2	20
8746 78	4	4.34	1667	338	+29 E	3	41	1	35	8786 78	4	10.27	1667	260	+40 E	1	70	1	70
8747 78	4	4.34	1667	338	-36 E	1	25	25	8787 78	4	10.27	1667	260	+28 E	5	30	2	70	
8748 78	4	4.34	1667	338	-54 E	5	40	2	80	8788 78	4	10.27	1667	260	+19 E	3	42	2	50
8749 78	4	4.34	1667	158	+12 W	12	50	2	320	8789 78	4	10.27	1667	80	-47 W	3	25	3	50
8750 78	4	4.34	1667	158	+44 W	2	20	3	30	8790 78	4	10.27	1667	80	-27 W	2	25	2	30

TABLE 1 CONTINUED

TABLE 1 CONTINUED

8791 78	4	10.27	1667	30	+24 W	1	60	1	50	8831 78	5	5.23	1668	291	-51 E	8	20	1	50
8792 78	4	10.27	1667	80	+54 W	14	45	3	200	8832 78	5	5.23	1668	111	-35 W	1	30	2	20
8793 78	4	15.36	1667	193	+49 E	7	110	3	530	8833 78	5	5.23	1668	111	-20 W	7	20	2	80
8794 78	4	15.36	1667	193	+17 E	7	35	3	180	8834 78	5	5.23	1668	111	-13 W	1	50	2	50
8795 78	4	15.36	1667	193	-56 E	4	25	2	65	8835 78	5	5.23	1668	111	+32 W	23	70	2	700
8796 78	4	15.36	1667	13	-45 W	6	40	3	170	8836 78	6	1.19	1669	295	+60 E	6	50	2	120
8797 78	4	15.36	1667	13	-27 W	5	30	2	110	8837 78	6	1.19	1669	295	+33 E	3	15	2	35
8798 78	4	15.36	1667	13	+52 W	4	45	2	100	8838 78	6	1.19	1669	295	+6 E	10	100	2	230
8799 78	4	15.36	1667	13	+62 W	8	60	1	140	8839 78	6	1.19	1669	295	-31 E	2	20	2	30
8800 78	4	21.30	1667	114	+39 E	5	10	3	50	8840 78	6	1.19	1669	295	-41 E	2	20	3	25
8801 78	4	21.30	1667	114	+34 E	2	50	3	80	8841 78	6	1.19	1669	295	-49 E	4	30	3	60
8802 78	4	21.30	1667	114	+21 E	6	15	3	70	8842 78	6	1.19	1669	115	-42 W	6	70	2	130
8803 78	4	21.30	1667	114	+15 E	4	10	1	20	8843 78	6	1.19	1669	115	-4 W	4	70	1	110
8804 78	4	21.30	1667	114	+8 E	4	20	1	30	8844 78	6	1.19	1669	115	+27 W	8	20	2	100
8805 78	4	21.30	1667	114	-42 E	21	90	2	1040	8845 78	6	1.19	1669	115	+57 W	3	40	2	65
8806 78	4	21.30	1667	294	-49 W	5	30	3	110	8846 78	6	2.19	1669	282	+66 E	4	50	1	40
8807 78	4	21.30	1667	294	-37 W	1	170	1	80	8847 78	6	2.19	1669	282	+42 E	3	20	1	45
8808 78	4	21.30	1667	294	-21 W	1	30	2	40	8848 78	6	2.19	1669	282	+35 E	2	20	2	35
8809 78	4	21.30	1667	294	-6 W	1	30	1	30	8849 78	6	2.19	1669	282	+14 E	21	110	1	260
8810 78	4	21.30	1667	294	+11 W	19	50	2	170	8850 78	6	2.19	1669	282	-33 E	7	20	3	80
8811 78	4	21.30	1667	294	+51 W	4	20	2	40	8851 78	6	2.19	1669	282	-48 E	3	30	3	60
8812 78	4	21.30	1667	294	+59 W	1	10	2	10	8852 78	6	2.19	1669	102	-61 W	11	60	2	210
8813 78	5	4.25	1668	304	+50 E	6	60	2	170	8853 78	6	2.19	1669	102	-18 W	4	30	3	110
8814 78	5	4.25	1668	304	+35 E	3	90	1	80	8854 78	6	2.19	1669	102	-8 W	2	70	2	80
8815 78	5	4.25	1668	304	+23 E	3	40	1	60	8855 78	6	2.19	1669	102	+31 W	5	20	2	40
8816 78	5	4.25	1668	304	-8 E	5	40	2	100	8856 78	6	2.19	1669	102	+57 W	4	50	3	110
8817 78	5	4.25	1668	304	-32 E	1	20	1	20	8857 78	6	3.61	1669	263	-40 E	24	60	3	530
8818 78	5	4.25	1668	304	-48 E	3	10	1	20	8858 78	6	3.61	1669	83	-49 W	3	50	2	80
8819 78	5	4.25	1668	124	-28 W	2	20	2	30	8859 78	6	3.61	1669	83	-41 W	3	30	2	55
8820 78	5	4.25	1668	124	+1 W	2	70	1	50	8860 78	6	3.61	1669	83	+54 W	15	30	2	210
8821 78	5	4.25	1668	124	+6 W	1	20	1	30	8861 78	6	4.20	1669	255	+9 E	17	20	2	120
8822 78	5	4.25	1668	124	+35 W	32	40	2	400	8862 78	6	4.20	1669	255	-30 E	2	10	2	20
8823 78	5	5.23	1668	291	+49 E	6	70	2	180	8863 78	6	4.20	1669	255	-35 E	4	10	2	40
8824 78	5	5.23	1668	291	+42 E	1	30	1	15	8864 78	6	4.20	1669	255	-40 E	3	20	2	40
8825 78	5	5.23	1668	291	+36 E	2	20	1	40	8865 78	6	4.20	1669	255	-48 E	6	50	2	130
8826 78	5	5.23	1668	291	+20 E	3	30	1	60	8866 78	6	4.20	1669	75	-49 W	2	40	1	55
8827 78	5	5.23	1668	291	+14 E	3	30	1	30	8867 78	6	4.20	1669	75	-37 W	3	30	2	60
8828 78	5	5.23	1668	291	+8 E	1	30	1	20	8868 78	6	4.20	1669	75	+50 W	6	20	2	100
8829 78	5	5.23	1668	291	+4 F	1	30	1	30	8869 78	6	7.21	1669	215	+48 E	10	50	1	100
8830 78	5	5.23	1668	291	-29 E	4	10	1	30	8870 78	6	7.21	1669	215	+40 E	2	10	2	20

TABLE 1 CONTINUED

TABLE 1 CONTINUED

8871 76	6	7.21	1669	215	+31 E	3	20	2	50	8911 78	6	21.21	1670	30	-47 E	3	30	2	60
8872 76	6	7.21	1669	215	+13 E	7	70	2	150	8912 78	6	21.21	1670	210	-49 W	4	20	1	50
8873 76	6	7.21	1669	215	-33 E	2	30	2	30	8913 76	6	21.21	1670	210	-23 W	20	40	2	420
8874 76	6	7.21	1669	35	-46 W	2	20	2	40	8914 78	6	21.21	1670	210	-4 W	2	20	2	60
8875 76	6	7.21	1669	35	-24 W	10	20	1	60	8915 76	6	21.21	1670	210	+11 W	6	20	2	60
8876 76	6	7.21	1669	35	-7 W	9	40	1	60	8916 78	6	21.21	1670	210	+17 W	1	10	3	10
8877 76	6	7.21	1669	35	+24 W	2	30	1	90	8917 78	6	21.21	1670	210	+23 W	1	10	3	10
8878 76	6	7.21	1669	35	+37 W	8	80	3	290	8918 78	6	21.21	1670	210	+30 W	5	40	2	110
8879 76	6	9.26	1669	188	+53 E	1	80	2	70	8919 78	6	21.21	1670	210	+42 W	6	20	3	50
8880 76	6	9.26	1669	188	+16 E	1	20	2	25	8920 78	6	21.21	1670	210	+50 W	1	10	3	10
8881 76	6	9.26	1669	188	+5 E	2	10	2	20	8921 78	6	23.20	1670	4	+43 E	18	40	1	290
8882 76	6	9.26	1669	188	-51 E	5	80	2	180	8922 78	6	23.20	1670	4	+22 E	9	10	2	40
8883 76	6	9.26	1669	8	-49 W	3	30	2	50	8923 78	6	23.20	1670	4	-42 E	1	20	3	20
8884 76	6	9.26	1669	8	-31 W	4	10	2	50	8924 78	6	23.20	1670	4	-57 E	4	10	2	30
8885 76	6	9.26	1669	8	-10 W	2	30	1	40	8925 78	6	23.20	1670	184	-58 W	3	40	2	70
8886 76	6	9.26	1669	8	+32 W	2	30	1	40	8926 78	6	23.20	1670	184	-40 W	2	10	3	20
8887 76	6	12.37	1669	147	+29 E	5	50	1	80	8927 78	6	23.20	1670	184	-4 W	5	30	2	100
8888 76	6	12.37	1669	147	+1 E	6	90	1	90	8928 78	6	23.20	1670	184	+24 W	14	30	2	50
8889 76	6	12.37	1669	147	-32 E	11	60	1	50	8929 78	6	23.20	1670	184	+50 W	8	90	1	310
8890 76	6	12.37	1669	327	-55 W	5	20	2	60	8930 78	7	1.28	1670	258	+53 E	4	30	2	30
8891 76	6	12.37	1669	327	-23 W	21	60	2	310	8931 78	7	1.28	1670	258	-24 E	13	40	2	160
8892 76	6	12.37	1669	327	+9 W	6	50	1	70	8932 76	7	1.28	1670	258	-37 E	6	15	1	60
8893 76	6	12.37	1669	327	+3 W	4	30	2	70	8933 78	7	1.28	1670	258	-57 E	6	50	2	100
8894 76	6	12.37	1669	327	+49 W	2	40	2	60	8934 78	7	1.28	1670	78	-48 W	8	50	2	210
8895 76	6	20.24	1670	43	+74 E	1	20	2	20	8935 78	7	1.28	1670	78	-4 W	3	30	1	30
8896 76	6	20.24	1670	43	+53 E	13	40	2	330	8936 78	7	1.28	1670	78	+6 W	10	70	1	80
8897 76	6	20.24	1670	43	+35 E	4	50	1	80	8937 78	7	1.28	1670	78	+18 W	1	10	1	10
8898 76	6	20.24	1670	43	+27 E	1	10	3	10	8938 78	7	1.28	1670	78	+26 W	4	60	2	80
8899 76	6	20.24	1670	43	+12 E	16	30	1	170	8939 78	7	1.28	1670	78	+58 W	1	30	1	25
8900 76	6	20.24	1670	43	-4 E	9	60	2	190	8940 78	7	3.16	1670	233	+58 E	8	120	2	190
8901 76	6	20.24	1670	43	-19 E	8	60	2	120	8941 78	7	3.16	1670	233	+28 E	17	30	2	260
8902 76	6	20.24	1670	43	-46 E	5	40	1	180	8942 78	7	3.16	1670	233	-53 E	4	90	2	200
8903 76	6	20.24	1670	223	-43 W	10	40	1	190	8943 78	7	3.16	1670	53	-47 W	2	30	2	50
8904 76	6	20.24	1670	223	-22 W	17	50	1	410	8944 78	7	3.16	1670	53	-28 W	5	30	2	90
8905 76	6	20.24	1670	223	-3 W	2	40	2	40	8945 78	7	3.16	1670	53	-2 W	7	60	1	120
8906 76	6	20.24	1670	223	+31 W	25	40	2	400	8946 78	7	3.16	1670	53	+11 W	3	30	2	100
8907 76	6	21.21	1670	30	+64 E	2	10	2	20	8947 78	7	4.19	1670	219	+54 E	3	25	2	50
8908 76	6	21.21	1670	30	+35 E	4	30	2	80	8948 78	7	4.19	1670	219	+37 E	23	70	2	290
8909 76	6	21.21	1670	30	+13 E	19	30	2	100	8949 78	7	4.19	1670	219	+15 E	1	70	1	65
8910 76	6	21.21	1670	30	-14 E	2	30	3	40	8950 78	7	4.19	1670	219	-19 E	8	30	1	40

TABLE 1 CONTINUED

TABLE 1 CONTINUED

8951 78	7	4.19	1670	219	-31 E	6	50	2	170	8991 78	7	11.20	1670	127	-13 E	3	30	2	60
8952 78	7	4.19	1670	219	-54 E	13	30	2	170	8992 78	7	11.20	1670	127	-39 E	12	40	2	190
8953 78	7	4.19	1670	39	-42 W	3	25	2	35	8993 78	7	11.20	1670	127	-57 E	6	30	2	160
8954 78	7	4.19	1670	39	-22 W	5	50	1	60	8994 78	7	11.20	1670	307	+32 W	5	15	2	55
8955 78	7	4.19	1670	39	-10 W	5	50	1	75	8995 78	7	11.20	1670	307	+51 W	4	15	2	45
8956 78	7	4.19	1670	39	-2 W	2	80	1	100	8996 78	7	12.25	1670	113	+29 E	6	20	2	80
8957 78	7	4.19	1670	39	+7 W	8	20	2	90	8997 78	7	12.25	1670	113	+13 E	6	10	2	60
8958 78	7	4.19	1670	39	+15 W	1	40	1	25	8998 78	7	12.25	1670	113	-9 E	12	50	2	100
8959 78	7	4.19	1670	39	+25 W	9	60	2	100	8999 78	7	12.25	1670	293	-43 W	2	20	2	30
8960 78	7	6.17	1670	193	+31 E	1	120	1	90	9000 78	7	12.25	1670	293	-24 W	8	30	2	85
8961 78	7	6.17	1670	193	+7 E	2	10	1	20	9001 78	7	12.25	1670	293	-16 W	2	10	2	30
8962 78	7	6.17	1670	193	-2 E	2	20	2	30	9002 78	7	12.25	1670	293	+41 W	2	30	2	30
8963 78	7	6.17	1670	193	-35 E	2	40	2	30	9003 78	7	14.34	1671	85	+58 E	3	20	2	40
8964 78	7	6.17	1670	13	-50 W	14	30	2	200	9004 78	7	14.34	1671	85	+38 E	3	10	2	30
8965 78	7	6.17	1670	13	+22 W	17	100	1	130	9005 78	7	14.34	1671	85	+21 E	10	15	2	100
8966 78	7	6.17	1670	13	+39 W	2	30	2	50	9006 78	7	14.34	1671	85	0 F	1	10	2	10
8967 78	7	8.19	1670	166	+51 E	9	30	2	100	9007 78	7	14.34	1671	85	-29 E	2	15	2	25
8968 78	7	8.19	1670	166	+40 E	1	20	2	20	9008 78	7	14.34	1671	85	-39 E	2	10	2	20
8969 78	7	8.19	1670	166	+28 E	3	20	2	40	9009 78	7	14.34	1671	85	-44 E	1	15	2	15
8970 78	7	8.19	1670	166	+19 E	4	20	2	60	9010 78	7	14.34	1671	265	-56 W	2	30	2	30
8971 78	7	8.19	1670	166	+13 E	3	20	2	40	9011 78	7	14.34	1671	265	-39 W	7	30	2	90
8972 78	7	8.19	1670	166	+8 E	4	20	2	60	9012 78	7	14.34	1671	265	+7 W	7	70	1	45
8973 78	7	8.19	1670	166	+2 E	1	30	1	25	9013 78	7	14.34	1671	265	+41 W	3	20	2	45
8974 78	7	8.19	1670	166	-25 E	16	35	2	350	9014 78	7	14.34	1671	265	+57 W	4	20	2	60
8975 78	7	8.19	1670	346	-53 W	4	40	3	120	9015 78	7	16.20	1671	61	+25 E	2	30	2	40
8976 78	7	8.19	1670	346	-39 W	2	30	2	50	9016 78	7	16.20	1671	61	+15 E	3	10	2	30
8977 78	7	8.19	1670	346	-12 W	3	10	1	20	9017 78	7	16.20	1671	61	-28 E	6	20	2	45
8978 78	7	8.19	1670	346	+5 W	1	60	2	60	9018 78	7	16.20	1671	61	-48 E	5	20	1	40
8979 78	7	8.19	1670	346	+20 W	18	40	2	150	9019 78	7	16.20	1671	241	-58 W	9	30	2	110
8980 78	7	8.19	1670	346	+41 W	5	50	2	150	9020 78	7	16.20	1671	241	-22 W	1	30	1	15
8981 78	7	9.18	1670	153	+54 E	3	15	3	40	9021 78	7	16.20	1671	241	+12 W	3	60	1	35
8982 78	7	9.18	1670	153	+13 E	12	80	2	110	9022 78	7	16.20	1671	241	+23 W	7	40	1	140
8983 78	7	9.18	1670	153	-32 E	35	50	2	710	9023 78	7	17.41	1671	45	+62 E	2	10	1	20
8984 78	7	9.18	1670	153	-58 E	4	20	2	60	9024 78	7	17.41	1671	45	+49 E	2	10	1	20
8985 78	7	9.18	1670	333	-54 W	3	10	2	30	9025 78	7	17.41	1671	45	+33 E	3	20	1	40
8986 78	7	9.18	1670	333	+7 W	5	60	1	120	9026 78	7	17.41	1671	45	-3 E	4	60	2	90
8987 78	7	9.18	1670	333	+42 W	2	30	2	60	9027 78	7	17.41	1671	45	-28 E	2	10	2	20
8988 78	7	11.20	1670	127	+53 E	2	10	2	25	9028 78	7	17.41	1671	225	-56 W	4	50	2	90
8989 78	7	11.20	1670	127	+22 E	36	80	2	760	9029 78	7	17.41	1671	225	-28 W	4	20	1	50
8990 78	7	11.20	1670	127	-8 E	2	50	2	50	9030 78	7	17.41	1671	225	+26 W	4	80	1	150

TABLE 1 CONTINUED

TABLE 1 CONTINUED

9031 78	7	18.25	1671	34	+48 E	4	60	2	80	9071 78	7	28.22	1671	262	+3 E	13	60	2	160
9032 78	7	18.25	1671	34	-9 E	100	1	110		9072 78	7	28.22	1671	262	-19 E	12	90	2	270
9033 78	7	18.25	1671	34	-50 E	6	20	2	65	9073 78	7	28.22	1671	262	-46 E	5	30	3	70
9034 78	7	18.25	1671	214	-53 W	4	70	2	110	9074 78	7	28.22	1671	262	-57 E	6	40	3	160
9035 78	7	18.25	1671	214	-25 W	1	30	2	30	9075 78	7	28.22	1671	82	-38 W	18	100	2	310
9036 78	7	23.37	1671	326	+22 E	12	60	2	180	9076 78	7	28.22	1671	82	-26 W	8	40	2	180
9037 78	7	23.37	1671	326	-33 E	1	60	1	40	9077 78	7	28.22	1671	82	+37 W	4	80	3	120
9038 78	7	23.37	1671	326	-55 E	2	20	2	40	9078 78	7	28.22	1671	82	+57 W	5	90	3	200
9039 78	7	23.37	1671	146	-60 W	2	20	2	30	9079 78	8	13.24	1672	51	+52 E	2	10	2	20
9040 78	7	23.37	1671	146	-42 W	2	10	2	30	9080 78	8	13.24	1672	51	+30 E	1	10	3	10
9041 78	7	23.37	1671	146	-8 W	4	30	2	60	9081 78	8	13.24	1672	51	-1 E	12	30	2	190
9042 78	7	23.37	1671	146	+17 W	4	40	3	60	9082 78	8	13.24	1672	51	-49 E	7	60	2	170
9043 78	7	23.37	1671	146	+53 W	7	30	2	110	9083 78	8	13.24	1672	231	-61 W	1	10	3	10
9044 78	7	23.37	1671	146	+63 W	2	20	1	30	9084 78	8	13.24	1672	231	-54 W	4	20	2	60
9045 78	7	25.27	1671	301	+53 E	3	10	2	30	9085 78	8	13.24	1672	231	-33 W	4	50	2	50
9046 78	7	25.27	1671	301	+41 E	5	20	2	50	9086 78	8	13.24	1672	231	+28 W	16	60	1	640
9047 78	7	25.27	1671	301	+43 E	2	25	2	30	9087 78	8	13.24	1672	231	+60 W	13	40	2	190
9048 78	7	25.27	1671	301	+22 E	13	40	2	140	9088 78	8	15.21	1672	25	+62 E	7	100	1	340
9049 78	7	25.27	1671	301	-39 E	5	20	1	30	9089 78	8	15.21	1672	25	+34 E	26	30	1	280
9050 78	7	25.27	1671	301	-61 E	4	30	1	80	9090 78	8	15.21	1672	25	-11 E	13	40	2	210
9051 78	7	25.27	1671	121	-58 W	7	40	3	130	9091 78	8	15.21	1672	25	-51 E	13	50	1	230
9052 78	7	25.27	1671	121	-48 W	6	20	3	70	9092 78	8	15.21	1672	205	-58 W	1	10	2	10
9053 78	7	25.27	1671	121	-42 W	2	40	3	50	9093 78	8	15.21	1672	205	-33 W	2	20	2	30
9054 78	7	25.27	1671	121	+10 W	1	30	2	30	9094 78	8	15.21	1672	205	-18 W	9	60	2	140
9055 78	7	25.27	1671	121	+18 W	4	50	2	120	9095 78	8	15.21	1672	205	-1 W	2	40	2	40
9056 78	7	25.27	1671	121	+28 W	12	30	2	150	9096 78	8	15.21	1672	205	+9 W	2	30	2	30
9057 78	7	25.27	1671	121	+57 W	6	50	2	180	9097 78	8	15.21	1672	205	+26 W	1	10	2	10
9058 78	7	26.28	1671	288	+56 E	5	20	2	80	9098 78	8	15.21	1672	205	+39 W	6	10	2	50
9059 78	7	26.28	1671	288	-55 E	5	20	2	60	9099 78	8	15.21	1672	205	+59 W	6	10	2	30
9060 78	7	26.28	1671	108	-57 W	2	30	2	40	9100 78	8	16.19	1672	12	+58 E	10	150	3	630
9061 78	7	26.28	1671	108	-42 W	16	70	2	410	9101 78	8	16.19	1672	12	+38 E	4	10	3	40
9062 78	7	26.28	1671	108	-28 W	12	50	2	160	9102 78	8	16.19	1672	12	+23 E	8	20	3	80
9063 78	7	26.28	1671	108	-2 W	2	30	1	30	9103 78	8	16.19	1672	12	-16 E	5	50	3	190
9064 78	7	26.28	1671	108	+3 W	3	30	1	50	9104 78	8	16.19	1672	12	-28 E	12	50	3	270
9065 78	7	26.28	1671	108	+9 W	3	50	1	90	9105 78	8	16.19	1672	12	-44 E	1	30	2	30
9066 78	7	26.28	1671	108	+23 W	5	20	2	70	9106 78	8	16.19	1672	12	-59 E	8	40	3	220
9067 78	7	26.28	1671	108	+33 W	4	60	2	160	9107 78	8	16.19	1672	192	-57 W	6	40	2	100
9068 78	7	26.28	1671	108	+54 W	6	80	3	140	9108 78	8	16.19	1672	192	-8 W	14	50	3	260
9069 78	7	28.22	1671	262	+57 E	7	10	2	70	9109 78	8	16.19	1672	192	+27 W	1	20	2	20
9070 78	7	28.22	1671	262	+23 E	2	20	2	40	9110 78	8	16.19	1672	192	+51 W	5	50	3	140

TABLE 1 CONTINUED

TABLE 1 CONTINUED

9111 78	8	16.19	1672	192	+67 W	6	40	3	120	9151 78	9	5.30	1672	106	+51 E	13	60	3	280	
9112 78	8	17.23	1672	358	+51 E	10	170	3	720	9152 78	9	5.30	1672	106	+33 E	3	40	1	80	
9113 78	8	17.23	1672	358	+14 E	16	50	3	560	9153 78	9	5.30	1672	106	-43 E	4	100	2	110	
9114 78	8	17.23	1672	358	-1 E	4	20	2	70	9154 78	9	5.30	1672	106	-62 E	8	30	2	130	
9115 78	8	17.23	1672	358	-28 E	12	50	2	260	9155 78	9	5.30	1672	286	-51 W	5	30	2	100	
9116 78	8	17.23	1672	358	-47 E	2	50	3	60	9156 78	9	5.30	1672	286	-29 W	6	30	2	150	
9117 78	8	17.23	1672	178	-55 W	6	50	2	170	9157 78	9	5.30	1672	286	-22 W	4	20	1	80	
9118 78	8	17.23	1672	178	-35 W	5	40	3	110	9158 78	9	5.30	1672	286	-12 W	1	30	1	30	
9119 78	8	17.23	1672	178	-2 W	12	50	2	170	9159 78	9	5.30	1672	286	+38 W	4	20	2	60	
9120 78	8	17.23	1672	178	+22 W	7	40	2	130	9160 78	9	5.30	1672	286	+58 W	5	80	1	120	
9121 78	8	17.23	1672	178	+34 W	1	20	1	20	9161 78	9	6.29	1673	93	+53 E	5	50	2	110	
9122 78	8	17.23	1672	178	+43 W	7	10	1	70	9162 78	9	6.29	1673	93	+29 E	3	50	2	90	
9123 78	8	17.23	1672	178	+52 W	5	40	2	80	9163 78	9	6.29	1673	93	+8 E	18	70	2	350	
9124 78	8	17.23	1672	178	+63 W	10	70	2	290	9164 78	9	6.29	1673	93	-23 E	5	30	2	100	
9125 78	8	22.22	1672	292	+50 E	10	20	2	140	9165 78	9	6.29	1673	93	-48 E	1	70	2	60	
9126 78	8	22.22	1672	292	+33 E	4	30	1	100	9166 78	9	6.29	1673	93	-59 E	1	30	2	50	
9127 78	8	22.22	1672	292	-10 E	6	20	2	90	9167 78	9	6.29	1673	273	-50 W	5	30	2	80	
9128 78	8	22.22	1672	292	-21 E	2	40	1	60	9168 78	9	6.29	1673	273	-58 W	4	20	2	50	
9129 78	8	22.22	1672	292	-34 E	3	30	2	120	9169 78	9	6.29	1673	273	-29 W	5	30	2	80	
9130 78	8	22.22	1672	292	-60 E	4	30	2	80	9170 78	9	6.29	1673	273	-12 W	4	50	2	110	
9131 78	8	22.22	1672	112	-51 W	3	70	2	180	9171 78	9	6.29	1673	273	+8 W	2	20	1	30	
9132 78	8	22.22	1672	112	-38 W	11	50	1	390	9172 78	9	6.29	1673	273	+23 W	6	40	2	160	
9133 78	8	22.22	1672	112	-24 W	5	20	1	90	9173 78	9	13.59	1673	357	+62 E	3	50	2	60	
9134 78	8	22.22	1672	112	+50 W	23	50	2	360	9174 78	9	13.59	1673	357	-21 E	23	30	2	410	
9135 78	8	23.24	1672	279	+45 E	17	40	2	380	9175 78	9	13.59	1673	177	-19 W	3	30	2	70	
9136 78	8	23.24	1672	279	+10 E	19	40	2	310	9176 78	9	13.59	1673	177	+27 W	21	70	2	280	
9137 78	8	23.24	1672	279	-62 E	6	40	2	130	9177 78	9	13.59	1673	177	+82 W	2	30	2	50	
9138 78	8	23.24	1672	99	-49 W	16	40	2	190	9178 78	9	14.26	1673	348	+58 E	3	50	2	80	
9139 78	8	23.24	1672	99	-14 W	12	60	3	320	9179 78	9	14.26	1673	348	-29 E	18	60	2	460	
9140 78	8	23.24	1672	99	+18 W	5	20	1	70	9180 78	9	14.26	1673	168	-56 W	3	30	2	50	
9141 78	8	23.24	1672	99	+31 W	17	40	2	230	9181 78	9	17.46	1673	306	+56 E	4	30	2	70	
9142 78	8	23.24	1672	99	+65 W	6	50	2	220	9182 78	9	17.46	1673	306	+18 E	5	20	2	60	
9143 78	8	25.21	1672	253	+39 E	4	30	1	80	9183 78	9	17.46	1673	306	-22 E	5	100	2	210	
9144 78	8	25.21	1672	253	+8 E	10	70	3	530	9184 78	9	17.46	1673	306	-50 E	8	60	2	150	
9145 78	8	25.21	1672	253	-40 E	15	40	2	320	9185 78	9	17.46	1673	126	-55 W	8	40	2	110	
9146 78	8	25.21	1672	253	-66 E	20	40	2	210	9186 78	9	17.46	1673	126	-28 W	4	10	50	2	310
9147 78	8	25.21	1672	73	-70 W	1	20	3	20	9187 78	9	17.46	1673	126	+31 W	10	80	2	270	
9148 78	8	25.21	1672	73	-28 W	25	40	1	180	9188 78	9	17.46	1673	126	+59 W	6	50	2	140	
9149 78	8	25.21	1672	73	+14 W	5	40	2	100	9189 78	9	18.34	1673	294	-55 E	7	40	2	130	
9150 78	8	25.21	1672	73	+70 W	9	50	2	270	9190 78	9	18.34	1673	294	-38 E	5	40	2	110	

TABLE 1 CONTINUED

TABLE 1 CONTINUED

9191 78	9	18.34	1673	294	-27 E	8	40	2	190	9231 78	9	29.24	1673	150	+43 E	9	50	2	80
9192 78	9	18.34	1673	114	+23 W	5	110	2	380	9232 78	9	29.24	1673	150	+21 E	3	30	2	40
9193 78	9	18.34	1673	114	+50 W	7	40	2	140	9233 78	9	29.24	1673	150	-19 E	2	50	1	50
9194 78	9	18.34	1673	114	+65 W	1	60	2	40	9234 78	9	29.24	1673	150	-33 E	7	70	1	80
9195 78	9	22.40	1673	240	+57 E	7	30	2	150	9235 78	9	29.24	1673	150	-42 E	1	60	1	40
9196 78	9	22.40	1673	240	+38 E	1	20	2	20	9236 78	9	29.24	1673	150	-42 E	3	30	2	60
9197 78	9	22.40	1673	240	+16 E	5	30	2	70	9237 78	9	29.24	1673	330	-55 W	5	20	2	50
9198 78	9	22.40	1673	240	-13 E	1	20	2	20	9238 78	9	29.24	1673	330	-39 W	2	50	3	70
9199 78	9	22.40	1673	240	-27 E	8	40	2	130	9239 78	9	29.24	1673	330	-27 W	11	20	3	160
9200 78	9	22.40	1673	240	-55 E	3	40	2	60	9240 78	9	29.24	1673	330	-6 W		30	2	90
9201 78	9	22.40	1673	60	-43 W	2	30	2	40	9241 78	9	29.24	1673	330	+10 W	4	20	2	60
9202 78	9	22.40	1673	60	-28 W	4	30	2	70	9242 78	9	29.24	1673	330	+61 W	6	30	2	60
9203 78	9	22.40	1673	60	+18 W	5	20	2	50	9243 78	10	16.28	1674	285	+60 E	9	40	1	100
9204 78	9	22.40	1673	60	+28 W	6	30	2	170	9244 78	10	16.28	1674	285	+48 E	4	20	2	80
9205 78	9	22.40	1673	60	+37 W	1	20	2	20	9245 78	10	16.28	1674	285	-58 E	4	30	2	60
9206 78	9	22.40	1673	60	+41 W	3	40	2	90	9246 78	10	16.28	1674	105	-46 W	1	60	2	120
9207 78	9	22.40	1673	60	+57 W	2	40	2	180	9247 78	10	16.28	1674	105	-32 W	2	20	2	30
9208 78	9	25.56	1673	199	+45 E	3	30	2	40	9248 78	10	16.28	1674	105	-17 W	3	40	2	40
9209 78	9	25.56	1673	199	+28 E	9	80	2	230	9249 78	10	16.28	1674	105	-33 W	3	30	1	70
9210 78	9	25.56	1673	199	-32 E	5	60	2	70	9250 78	10	16.28	1674	105	+16 W	3	50	2	70
9211 78	9	25.56	1673	199	-52 E	1	20	2	20	9251 78	10	16.28	1674	105	+28 W	2	30	2	40
9212 78	9	25.56	1673	199	-58 E	1	20	2	20	9252 78	10	16.28	1674	105	+34 W	1	30	2	30
9213 78	9	25.56	1673	19	-63 W	2	10	2	20	9253 78	10	16.28	1674	105	+54 W	3	30	2	50
9214 78	9	25.56	1673	19	-55 W	1	10	1	10	9254 78	10	17.27	1674	272	+61 E	2	20	1	30
9215 78	9	25.56	1673	19	-25 W	1	40	1	60	9255 78	10	17.27	1674	272	+47 E	4	20	2	60
9216 78	9	25.56	1673	19	-10 W	2	50	2	70	9256 78	10	17.27	1674	272	+30 E	3	10	2	30
9217 78	9	25.56	1673	19	+22 W	3	20	2	50	9257 78	10	17.27	1674	272	-18 E	3	20	2	50
9218 78	9	25.56	1673	19	+31 W	1	10	1	10	9258 78	10	17.27	1674	272	-60 E	3	20	2	30
9219 78	9	25.56	1673	19	+36 W	1	10	1	10	9259 78	10	17.27	1674	92	-54 W	3	20	2	40
9220 78	9	26.23	1673	190	+53 E	1	40	2	60	9260 78	10	17.27	1674	92	-44 W	3	50	2	130
9221 78	9	26.23	1673	190	+37 E	7	60	2	100	9261 78	10	17.27	1674	92	-39 W	1	20	1	20
9222 78	9	26.23	1673	190	+15 E	1	50	2	40	9262 78	10	17.27	1674	92	-33 W	1	20	1	20
9223 78	9	26.23	1673	190	-18 E	1	60	1	80	9263 78	10	17.27	1674	92	-11 W	9	20	2	120
9224 78	9	26.23	1673	190	-27 E	1	70	1	50	9264 78	10	17.27	1674	92	+8 W	5	30	2	40
9225 78	9	26.23	1673	190	-38 E	1	60	2	110	9265 78	10	17.27	1674	92	+29 W	3	20	1	40
9226 78	9	26.23	1673	10	-53 W	1	30	2	50	9266 78	10	17.27	1674	92	+37 W	3	10	2	30
9227 78	9	26.23	1673	10	+28 W	4	40	2	50	9267 78	10	17.27	1674	92	+59 W	7	80	1	110
9228 78	9	26.23	1673	10	+34 W	3	30	2	50	9268 78	10	17.27	1674	92	+68 W	4	30	1	30
9229 78	9	26.23	1673	10	+38 W	4	30	2	60	9269 78	10	18.25	1674	259	+47 E	13	60	2	290
9230 78	9	29.24	1673	150	+55 E	7	30	2	70	9270 78	10	18.25	1674	259	+27 E	2	20	2	40

TABLE 1 CONTINUED

9271 78 10	18.25	1674	259	-6 E	5	40	2	90	9311 78 10	31.30	1675	267	+58 W	3	80	2	130
9272 78 10	18.25	1674	259	-36 E	4	30	2	60	9312 78 11	2.30	1675	61	+60 E	7	30	2	80
9273 78 10	18.25	1674	79	-59 W	1	10	2	30	9313 78 11	2.30	1675	61	+46 E	6	60	2	280
9274 78 10	18.25	1674	79	-43 W	5	60	3	150	9314 78 11	2.30	1675	61	+24 E	1	20	1	20
9275 78 10	18.25	1674	79	+11 W	6	40	2	150	9315 78 11	2.30	1675	61	-12 E	18	50	3	410
9276 78 10	18.25	1674	79	+58 W	12	50	2	190	9316 78 11	2.30	1675	241	-52 W	10	40	2	170
9277 78 10	20.27	1674	233	+53 E	3	90	3	220	9317 78 11	2.30	1675	241	-15 W	10	40	2	70
9278 78 10	20.27	1674	233	+23 E	8	50	3	310	9318 78 11	2.30	1675	241	+30 W	11	30	2	200
9279 78 10	20.27	1674	233	-17 E	3	20	2	30	9319 78 11	2.30	1675	241	+66 W	20	210	3	980
9280 78 10	20.27	1674	233	-51 E	4	20	2	40	9320 78 11	3.36	1675	47	+46 E	9	110	3	340
9281 78 10	20.27	1674	53	-58 W	5	60	3	110	9321 78 11	3.36	1675	47	+10 E	2	40	2	60
9282 78 10	20.27	1674	53	-13 W	6	60	2	140	9322 78 11	3.36	1675	47	-10 E	5	70	2	170
9283 78 10	20.27	1674	53	-2 W	7	70	2	150	9323 78 11	3.36	1675	47	-12 E	5	40	2	110
9284 78 10	20.27	1674	53	+8 W	2	30	2	50	9324 78 11	3.36	1675	227	-46 W	4	30	2	80
9285 78 10	20.27	1674	53	+28 W	17	30	2	400	9325 78 11	3.36	1675	227	-15 W	11	50	2	160
9286 78 10	20.27	1674	53	+42 W	3	150	2	470	9326 78 11	3.36	1675	227	+22 W	10	20	1	80
9287 78 10	24.36	1674	179	+61 E	2	20	2	30	9327 78 11	3.36	1675	227	+41 W	2	30	1	30
9288 78 10	24.36	1674	179	+42 E	6	60	2	60	9328 78 11	3.36	1675	227	+66 W	12	50	3	250
9289 78 10	24.36	1674	179	+4 E	3	30	1	60	9329 78 11	4.30	1675	34	+53 E	5	140	3	50
9290 78 10	24.36	1674	359	+53 W	4	100	3	210	9330 78 11	4.30	1675	34	+36 E	5	20	1	50
9291 78 10	24.36	1674	359	+29 W	5	40	2	60	9331 78 11	4.30	1675	34	+27 E	1	10	1	10
9292 78 10	24.36	1674	359	+21 W	3	30	1	50	9332 78 11	4.30	1675	34	+7 E	17	60	2	140
9293 78 10	24.36	1674	359	+18 W	8	20	2	110	9333 78 11	4.30	1675	34	-27 E	2	20	2	30
9294 78 10	24.36	1674	359	+32 W	4	20	2	50	9334 78 11	4.30	1675	214	-55 W	7	50	3	240
9295 78 10	30.40	1674	99	+59 E	7	30	2	140	9335 78 11	4.30	1675	214	-39 W	4	20	2	50
9296 78 10	30.40	1674	99	-17 E	4	60	2	90	9336 78 11	4.30	1675	214	+14 W	150	2	30	
9297 78 10	30.40	1674	99	-58 E	5	20	2	80	9337 78 11	4.30	1675	214	+29 W	10	50	2	40
9298 78 10	30.40	1674	279	-55 W	4	30	2	60	9338 78 11	4.30	1675	214	+59 W	13	40	3	180
9299 78 10	30.40	1674	279	-39 W	3	20	1	30	9339 78 11	5.30	1675	21	+64 E	1	40	1	20
9300 78 10	30.40	1674	279	-32 W	4	20	2	60	9340 78 11	5.30	1675	21	+27 E	6	40	2	160
9301 78 10	30.40	1674	279	-23 W	1	20	1	20	9341 78 11	5.30	1675	21	-47 E	10	10	1	60
9302 78 10	30.40	1674	279	+37 W	5	60	1	70	9342 78 11	5.30	1675	201	-52 W	10	50	3	220
9303 78 10	30.40	1674	279	+58 W	5	70	2	160	9343 78 11	5.30	1675	201	-26 W	7	40	2	150
9304 78 10	31.30	1675	87	+63 E	4	20	2	80	9344 78 11	5.30	1675	201	0 W	2	30	2	40
9305 78 10	31.30	1675	87	+29 E	7	20	2	80	9345 78 11	5.30	1675	201	+35 W	19	20	2	130
9306 78 10	31.30	1675	87	+18 E	3	10	1	30	9346 78 11	5.30	1675	201	+54 W	14	50	3	200
9307 78 10	31.30	1675	87	-40 E	13	110	2	280	9347 78 11	6.31	1675	8	+23 E	6	30	1	100
9308 78 10	31.30	1675	267	-53 W	5	30	2	140	9348 78 11	6.31	1675	8	-17 E	5	50	1	120
9309 78 10	31.30	1675	267	-40 W	1	30	1	20	9349 78 11	6.31	1675	188	-54 W	3	30	1	50
9310 78 10	31.30	1675	267	-34 W	3	10	1	30	9350 78 11	6.31	1675	188	-25 W	11	50	2	260

TABLE 1 CONTINUED

TABLE 1 CONTINUED

9351 78 11	6.31	1675	188	1675	188	+35 W	5	10	1	30	9391 78 11	11.30	1675	122	+12 W	1	30	1	20
9352 78 11	7.32	1675	354	1675	354	+30 E	12	50	2	230	9392 78 11	11.30	1675	122	+25 W	10	50	2	270
9353 78 11	7.32	1675	354	1675	354	- 4 E	4	60	2	110	9393 78 11	11.30	1675	122	+57 W	5	50	2	120
9354 78 11	7.32	1675	354	1675	354	-23 E	2	70	2	40	9394 78 11	12.30	1675	289	+65 E	36	70	3	910
9355 78 11	7.32	1675	354	1675	354	-64 E	5	30	2	100	9395 78 11	12.30	1675	289	-39 E	9	40	2	200
9356 78 11	7.32	1675	174	1675	174	-22 W	5	120	3	180	9396 78 11	12.30	1675	289	-58 E	8	40	2	200
9357 78 11	7.32	1675	174	1675	174	+12 W	1	70	3	100	9397 78 11	12.30	1675	109	-53 W	2	30	2	50
9358 78 11	7.32	1675	174	1675	174	+35 W	14	70	3	310	9398 78 11	12.30	1675	109	-18 W	25	60	2	240
9359 78 11	7.32	1675	174	1675	174	+57 W	9	30	2	130	9399 78 11	12.30	1675	109	+23 W	18	30	2	130
9360 78 11	8.28	1675	342	1675	342	+33 E	25	40	2	210	9400 78 11	12.30	1675	109	+57 W	8	40	3	260
9361 78 11	8.28	1675	342	1675	342	-15 E	23	40	3	220	9401 78 11	13.30	1675	275	+55 E	16	70	3	360
9362 78 11	8.28	1675	342	1675	342	-59 E	5	30	2	100	9402 78 11	13.30	1675	275	+20 E	4	20	1	40
9363 78 11	8.28	1675	162	1675	162	-22 W	21	140	3	210	9403 78 11	13.30	1675	275	-15 E	5	20	1	30
9364 78 11	8.28	1675	162	1675	162	+18 W	20	80	2	160	9404 78 11	13.30	1675	275	-32 E	4	20	1	40
9365 78 11	8.28	1675	162	1675	162	+48 W	20	30	3	260	9405 78 11	13.30	1675	275	-59 E	9	40	2	170
9366 78 11	9.27	1675	329	1675	329	+40 E	30	30	2	330	9406 78 11	13.30	1675	95	-54 W	3	10	1	30
9367 78 11	9.27	1675	329	1675	329	+ 4 E	18	100	3	80	9407 78 11	13.30	1675	95	-39 W	4	60	2	120
9368 78 11	9.27	1675	329	1675	329	-25 E	10	20	2	90	9408 78 11	13.30	1675	95	-13 W	12	50	3	230
9369 78 11	9.27	1675	329	1675	329	-59 E	13	50	2	310	9409 78 11	13.30	1675	95	+24 W	16	50	2	330
9370 78 11	9.27	1675	149	1675	149	-22 W	16	130	3	130	9410 78 11	13.30	1675	95	+59 W	8	40	2	170
9371 78 11	9.27	1675	149	1675	149	+12 W	7	60	2	90	9411 78 11	14.29	1675	262	+50 E	21	70	3	320
9372 78 11	9.27	1675	149	1675	149	+37 W	12	30	2	140	9412 78 11	14.29	1675	262	-33 E	14	40	2	210
9373 78 11	9.27	1675	149	1675	149	+57 W	11	30	2	220	9413 78 11	14.29	1675	82	-42 W	24	70	3	310
9374 78 11	10.32	1675	315	1675	315	+54 E	20	40	3	350	9414 78 11	14.29	1675	82	-16 W	14	80	2	160
9375 78 11	10.32	1675	315	1675	315	+31 E	13	20	2	100	9415 78 11	14.29	1675	82	+ 8 W	60	3	20	
9376 78 11	10.32	1675	315	1675	315	- 5 E	3	90	3	40	9416 78 11	14.29	1675	82	+30 W	21	50	3	510
9377 78 11	10.32	1675	315	1675	315	-32 E	4	40	2	110	9417 78 11	14.29	1675	82	+58 W	11	30	2	200
9378 78 11	10.32	1675	315	1675	315	-62 E	14	50	3	240	9418 78 11	15.48	1675	247	+53 E	18	90	3	230
9379 78 11	10.32	1675	135	1675	135	-12 W	2	40	2	60	9419 78 11	15.48	1675	247	+25 E	12	60	2	220
9380 78 11	10.32	1675	135	1675	135	+15 W	8	20	1	60	9420 78 11	15.48	1675	247	-40 E	7	80	3	310
9381 78 11	10.32	1675	135	1675	135	+28 W	1	30	1	20	9421 78 11	15.48	1675	67	-42 W	15	60	2	150
9382 78 11	10.32	1675	135	1675	135	+37 W	1	10	1	10	9422 78 11	15.48	1675	67	- 1 W	11	30	2	160
9383 78 11	10.32	1675	135	1675	135	+59 W	8	40	2	180	9423 78 11	15.48	1675	67	+32 W	6	30	2	80
9384 78 11	11.30	1675	302	1675	302	+54 E	20	60	3	720	9424 78 11	16.30	1675	236	+66 E	4	70	3	140
9385 78 11	11.30	1675	302	1675	302	+30 E	2	30	2	50	9425 78 11	16.30	1675	236	+35 E	4	20	2	55
9386 78 11	11.30	1675	302	1675	302	-28 E	13	20	2	90	9426 78 11	16.30	1675	236	+28 E	1	20	1	20
9387 78 11	11.30	1675	302	1675	302	-59 E	12	50	3	320	9427 78 11	16.30	1675	236	-23 E	1	20	1	30
9388 78 11	11.30	1675	122	1675	122	-53 W	6	30	2	90	9428 78 11	16.30	1675	236	-26 E	1	20	1	30
9389 78 11	11.30	1675	122	1675	122	-28 W	8	20	2	90	9429 78 11	16.30	1675	236	-36 E	7	20	1	60
9390 78 11	11.30	1675	122	1675	122	-13 W	7	50	2	170	9430 78 11	16.30	1675	236	-40 E	2	30	1	40

TABLE 1 CONTINUED

TABLE 1 CONTINUED

9431	78 11	16.30	1675	236	-53 E	3	30	2	60	9471	78 11	20.34	1675	3	-15 W	1	50	1	50
9432	78 11	16.30	1675	56	-44 W	5	70	2	170	9472	78 11	20.34	1675	3	0 W	5	60	1	70
9433	78 11	16.30	1675	56	-32 W	2	30	2	30	9473	78 11	20.34	1675	3	+6 W	1	20	2	20
9434	78 11	16.30	1675	56	-24 W	4	30	2	70	9474	78 11	20.34	1675	3	+27 W	7	20	2	60
9435	78 11	16.30	1675	56	-19 W	1	30	1	40	9475	78 11	20.34	1675	3	+33 W	4	50	2	70
9436	78 11	16.30	1675	56	-9 W	2	40	2	50	9476	78 11	20.34	1675	3	+56 W	1	20	1	40
9437	78 11	16.30	1675	56	+18 W	7	40	1	60	9477	78 11	21.47	1675	168	+48 E	2	50	2	70
9438	78 11	16.30	1675	56	+28 W	3	30	2	60	9478	78 11	21.47	1675	168	-15 E	100	1	140	
9439	78 11	17.34	1675	222	+3 E	5	20	1	60	9479	78 11	21.47	1675	348	-62 W	5	30	2	30
9440	78 11	17.34	1675	222	-22 E	9	40	2	100	9480	78 11	21.47	1675	348	+30 W	1	30	2	40
9441	78 11	17.34	1675	222	-53 E	7	30	2	80	9481	78 11	24.35	1675	130	+58 E	12	70	2	210
9442	78 11	17.34	1675	42	-46 W	8	30	1	60	9482	78 11	24.35	1675	130	+21 E	1	10	2	10
9443	78 11	17.34	1675	42	-23 W	5	30	2	90	9483	78 11	24.35	1675	130	+16 E	1	10	2	10
9444	78 11	17.34	1675	42	+3 W	5	30	2	80	9484	78 11	24.35	1675	130	+8 E	6	30	2	90
9445	78 11	17.34	1675	42	+17 W	1	20	1	15	9485	78 11	24.35	1675	130	+1 E	3	20	2	50
9446	78 11	17.34	1675	42	+30 W	2	40	2	50	9486	78 11	24.35	1675	130	-25 E	2	20	2	30
9447	78 11	17.34	1675	42	+58 W	1	30	1	40	9487	78 11	24.35	1675	130	-38 E	2	20	1	40
9448	78 11	19.40	1675	195	+58 E	1	40	2	30	9488	78 11	24.35	1675	130	+51 E	2	30	1	60
9449	78 11	19.40	1675	195	+53 E	1	50	2	40	9489	78 11	24.35	1675	310	+62 W	8	60	3	190
9450	78 11	19.40	1675	195	+44 E	1	40	2	40	9490	78 11	24.35	1675	310	+31 W	7	60	3	160
9451	78 11	19.40	1675	195	+39 E	1	40	2	30	9491	78 11	24.35	1675	310	+22 W	1	50	2	50
9452	78 11	19.40	1675	195	+34 E	1	30	2	30	9492	78 11	24.35	1675	310	+33 W	11	20	2	140
9453	78 11	19.40	1675	195	+29 E	1	20	2	20	9493	78 11	24.35	1675	310	+48 W	13	30	2	250
9454	78 11	19.40	1675	195	+4 E	5	40	2	100	9494	78 11	25.35	1675	116	+54 E	7	50	2	160
9455	78 11	19.40	1675	195	-26 E	3	40	2	50	9495	78 11	25.35	1675	116	+27 E	6	20	2	110
9456	78 11	19.40	1675	195	-50 E	7	40	2	160	9496	78 11	25.35	1675	116	+18 E	5	30	1	60
9457	78 11	19.40	1675	15	-33 W	1	20	2	20	9497	78 11	25.35	1675	116	-8 E	1	20	1	20
9458	78 11	19.40	1675	15	-30 W	1	20	2	20	9498	78 11	25.35	1675	116	-14 E	2	10	1	20
9459	78 11	19.40	1675	15	-23 W	4	10	2	30	9499	78 11	25.35	1675	116	-30 E	4	20	2	70
9460	78 11	19.40	1675	15	+27 W	5	30	2	80	9500	78 11	25.35	1675	116	-48 E	2	30	2	50
9461	78 11	19.40	1675	15	+55 W	1	30	2	20	9501	78 11	25.35	1675	116	-52 E	5	20	2	70
9462	78 11	19.40	1675	15	+62 W	1	30	2	20	9502	78 11	25.35	1675	296	-59 W	10	80	2	330
9463	78 11	20.34	1675	183	+45 E	17	40	2	180	9503	78 11	25.35	1675	296	+16 W	6	20	2	100
9464	78 11	20.34	1675	183	+21 E	5	30	2	70	9504	78 11	25.35	1675	296	+23 W	2	30	2	40
9465	78 11	20.34	1675	183	+15 E	1	80	2	60	9505	78 11	25.35	1675	296	+52 W	5	50	2	470
9466	78 11	20.34	1675	183	-8 E	1	50	2	40	9506	78 11	26.30	1675	104	+59 E	6	50	2	120
9467	78 11	20.34	1675	183	-23 E	6	70	2	190	9507	78 11	26.30	1675	104	+23 E	9	110	2	580
9468	78 11	20.34	1675	183	-50 E	1	30	2	40	9508	78 11	26.30	1675	104	-9 E	4	30	2	40
9469	78 11	20.34	1675	3	-59 W	3	10	2	30	9509	78 11	26.30	1675	104	-31 E	5	20	2	60
9470	78 11	20.34	1675	3	-49 W	3	10	2	30	9510	78 11	26.30	1675	104	-51 E	1	20	2	30

TABLE 1 CONTINUED

TABLE 1 CONTINUED

9511 78 11	26.30	1675	104	-56 E	1	20	2	20	9551 78 12	12.50	1676	250	-8 E	6	80	3	280
9512 78 11	26.30	1675	284	-60 W	10	90	2	330	9552 78 12	12.50	1676	250	-35 E	5	70	3	140
9513 78 11	26.30	1675	284	+50 W	14	90	2	720	9553 78 12	12.50	1676	250	-59 E	9	50	2	290
9514 78 11	3.30	1676	12	+48 E	7	50	2	170	9554 78 12	12.50	1676	70	-55 W	6	50	2	180
9515 78 12	3.30	1676	12	+38 E	3	40	2	110	9555 78 12	12.50	1676	70	-25 W	30	50	3	420
9516 78 12	3.30	1676	12	+24 E	12	60	2	180	9556 78 12	12.50	1676	70	+9 W	9	60	3	280
9517 78 12	3.30	1676	12	-17 E	9	30	1	70	9557 78 12	12.50	1676	70	+29 W	20	70	3	190
9518 78 12	3.30	1676	12	-37 E	4	40	1	50	9558 78 12	12.50	1676	70	+62 W	8	20	2	50
9519 78 12	3.30	1676	12	-56 E	2	10	1	20	9559 78 12	18.58	1676	170	+52 E	29	70	2	740
9520 78 12	3.30	1676	192	-52 W	9	40	2	100	9560 78 12	18.58	1676	170	-30 E	8	40	2	210
9521 78 12	3.30	1676	192	0 W	1	10	1	10	9561 78 12	18.58	1676	350	-24 W	8	50	2	170
9522 78 12	3.30	1676	192	+29 W	2	40	1	50	9562 78 12	18.58	1676	350	+35 W	8	20	2	130
9523 78 12	3.30	1676	192	+39 W	2	30	1	40	9563 78 12	19.47	1676	158	+85 E	2	20	1	30
9524 78 12	3.30	1676	192	+65 W	4	20	1	40	9564 78 12	19.47	1676	158	+48 E	30	90	3	500
9525 78 12	4.33	1676	358	-46 E	5	40	1	80	9565 78 12	19.47	1676	158	+9 E	1	30	2	30
9526 78 12	4.33	1676	178	-52 W	11	40	1	150	9566 78 12	19.47	1676	158	-13 E	8	40	2	130
9527 78 12	4.33	1676	178	-23 W	9	30	1	60	9567 78 12	19.47	1676	338	-41 W	2	10	3	20
9528 78 12	4.33	1676	178	+33 W	5	20	1	70	9568 78 12	19.47	1676	338	-17 W	13	30	2	170
9529 78 12	4.33	1676	178	+66 W	8	20	1	90	9569 78 12	19.47	1676	338	+22 W	5	50	2	80
9530 78 12	6.33	1676	332	+52 E	3	60	2	130	9570 78 12	19.47	1676	338	+36 W	4	50	2	90
9531 78 12	6.33	1676	332	+34 E	5	40	2	160	9571 78 12	21.45	1676	132	+54 E	4	30	2	60
9532 78 12	6.33	1676	332	+21 E	1	20	1	20	9572 78 12	21.45	1676	132	+33 E	4	40	2	30
9533 78 12	6.33	1676	332	-16 E	12	40	2	140	9573 78 12	21.45	1676	132	+3 E	3	10	2	30
9534 78 12	6.33	1676	332	-50 E	10	90	3	360	9574 78 12	21.45	1676	132	-12 E	5	20	2	70
9535 78 12	6.33	1676	152	-48 W	2	10	1	20	9575 78 12	21.45	1676	312	-58 W	3	30	2	50
9536 78 12	6.33	1676	152	-12 W	17	30	2	150	9576 78 12	21.45	1676	312	-28 W	4	30	2	100
9537 78 12	6.33	1676	152	+39 W	20	50	3	260	9577 78 12	21.45	1676	312	+1 W	4	40	2	70
9538 78 12	7.34	1676	318	+52 F	7	40	1	70	9578 78 12	21.45	1676	312	+13 W	3	270	3	430
9539 78 12	7.34	1676	318	+31 E	5	300	2	1140	9579 78 12	21.45	1676	312	+31 W	4	50	3	120
9540 78 12	7.34	1676	318	+18 E	4	20	1	40	9580 78 12	24.38	1676	93	+52 E	6	40	2	80
9541 78 12	8.35	1676	305	+50 E	5	40	2	180	9581 78 12	24.38	1676	93	+11 E	22	80	3	520
9542 78 12	8.35	1676	305	+32 E	8	20	2	150	9582 78 12	24.38	1676	93	-16 E	8	110	3	450
9543 78 12	8.35	1676	305	-30 E	10	20	1	70	9583 78 12	24.38	1676	93	-39 E	4	100	3	180
9544 78 12	8.35	1676	305	-59 E	1	60	2	40	9584 78 12	24.38	1676	273	-57 W	2	20	2	30
9545 78 12	8.35	1676	125	-29 W	2	10	1	10	9585 79 1	7.41	1677	268	+55 E	12	60	3	340
9546 78 12	8.35	1676	125	-10 W	2	30	1	60	9586 79 1	7.41	1677	268	+14 E	20	110	2	190
9547 78 12	8.35	1676	125	+7 W	6	30	2	140	9587 79 1	7.41	1677	268	-51 E	2	20	2	30
9548 78 12	8.35	1676	125	+17 W	2	20	1	40	9588 79 1	7.41	1677	88	-44 W	22	60	2	230
9549 78 12	8.35	1676	125	+52 W	4	30	2	80	9589 79 1	7.41	1677	88	-14 W	4	80	1	20
9550 78 12	12.50	1676	250	+43 E	43	30	3	820	9590 79 1	7.41	1677	88	+13 W	1	30	2	30

TABLE 1 CONTINUED

TABLE 1 CONTINUED

9591 79	1	7.41	1677	88	+56 W	10	80	3	240	9631 79	1	26.41	1678	17	-29 E	3	10	2	30
9592 79	1	12.31	1677	203	+47 E	11	30	2	80	9632 79	1	26.41	1678	17	-43 E	2	10	2	20
9593 79	1	12.31	1677	203	+21 E	3	40	2	110	9633 79	1	26.41	1678	17	-60 E	2	30	2	50
9594 79	1	12.31	1677	203	-61 E	4	30	2	90	9634 79	1	26.41	1678	17	-77 E	1	30	2	30
9595 79	1	12.31	1677	23	-88 W	1	20	2	20	9635 79	1	26.41	1678	197	-18 W	1	40	2	50
9596 79	1	12.31	1677	23	-80 W	1	10	2	10	9636 79	1	26.41	1678	197	+2 W	5	30	2	70
9597 79	1	12.31	1677	23	-49 W	19	40	2	140	9637 79	1	26.41	1678	197	+10 W	1	10	2	10
9598 79	1	12.31	1677	23	-16 W	1	10	2	10	9638 79	1	26.41	1678	197	+17 W	9	10	2	80
9599 79	1	12.31	1677	23	+5 W	8	160	2	120	9639 79	1	26.41	1678	197	+23 W	2	10	2	20
9600 79	1	12.31	1677	23	+18 W		40	2	20	9640 79	1	26.41	1678	197	+30 W	2	50	2	80
9601 79	1	12.31	1677	23	+31 W	11	20	2	200	9641 79	2	3.31	1678	273	+60 E	6	70	1	70
9602 79	1	13.35	1677	190	+54 E	3	10	1	20	9642 79	2	3.31	1678	273	+42 F	1	30	1	25
9603 79	1	13.35	1677	190	+27 E	6	20	2	70	9643 79	2	3.31	1678	273	+21 E	1	30	1	30
9604 79	1	13.35	1677	190	-18 E	5	20	2	70	9644 79	2	3.31	1678	273	+14 E	4	10	1	40
9605 79	1	13.35	1677	190	-58 E	17	40	2	190	9645 79	2	3.31	1678	273	-3 E	1	10	1	10
9606 79	1	13.35	1677	10	-59 W	6	50	2	110	9646 79	2	3.31	1678	273	-53 E	3	50	2	80
9607 79	1	13.35	1677	10	-34 W	23	40	2	150	9647 79	2	3.31	1678	93	-53 W	1	40	1	40
9608 79	1	13.35	1677	10	+32 W	15	90	3	620	9648 79	2	3.31	1678	93	-20 W	6	70	2	140
9609 79	1	17.37	1677	137	+58 E	2	40	2	80	9649 79	2	3.31	1678	93	+38 W	1	10	1	10
9610 79	1	17.37	1677	137	+36 E		100	1	30	9650 79	2	3.31	1678	93	+43 W	6	30	2	60
9611 79	1	17.37	1677	137	+11 E	4	20	2	40	9651 79	2	3.31	1678	93	+63 W	6	50	2	120
9612 79	1	17.37	1677	317	-50 W	3	60	2	140	9652 79	2	4.35	1678	259	+60 E	12	70	1	70
9613 79	1	17.37	1677	317	-28 W	1	30	1	40	9653 79	2	4.35	1678	259	+41 E	1	10	2	10
9614 79	1	17.37	1677	317	0 W	17	50	2	260	9654 79	2	4.35	1678	259	+32 E	1	20	2	20
9615 79	1	20.35	1677	97	+5 E	9	30	2	70	9655 79	2	4.35	1678	259	+15 E	18	50	2	20
9616 79	1	20.35	1677	97	-18 E	7	10	2	60	9656 79	2	4.35	1678	259	-10 E	9	60	2	140
9617 79	1	20.35	1677	277	-51 W	6	90	2	260	9657 79	2	4.35	1678	259	-28 E	2	20	1	10
9618 79	1	20.35	1677	277	+3 W	25	60	2	280	9658 79	2	4.35	1678	259	-50 E	3	30	2	30
9619 79	1	20.35	1677	277	+36 W	8	30	2	200	9659 79	2	4.35	1678	79	-22 W	7	100	2	170
9620 79	1	25.61	1678	28	+23 E	3	30	3	50	9660 79	2	4.35	1678	79	+24 W	10	40	2	220
9621 79	1	25.61	1678	28	-1 E	2	30	2	60	9661 79	2	4.35	1678	79	+62 W	4	50	2	90
9622 79	1	25.61	1678	28	-15 E	12	30	2	150	9662 79	2	7.32	1678	220	+62 E	6	50	2	100
9623 79	1	25.61	1678	28	-25 E	4	40	2	100	9663 79	2	7.32	1678	40	-86 W	7	70	2	220
9624 79	1	25.61	1678	208	-29 W	1	10	2	10	9664 79	2	7.32	1678	40	-60 W	7	30	2	100
9625 79	1	25.61	1678	208	0 W	3	50	2	100	9665 79	2	7.32	1678	40	+54 W	8	70	2	240
9626 79	1	25.61	1678	208	+20 W	19	20	2	300	9666 79	2	9.35	1678	193	+59 E	3	20	2	20
9627 79	1	25.61	1678	208	+63 W	1	10	2	10	9667 79	2	9.35	1678	193	+42 E	2	30	2	30
9628 79	1	26.41	1678	17	+54 E	1	20	2	20	9668 79	2	9.35	1678	193	+32 E	2	10	2	20
9629 79	1	26.41	1678	17	+21 E		60	2	50	9669 79	2	9.35	1678	193	+23 E	1	20	2	20
9630 79	1	26.41	1678	17	-10 E	30	40	2	490	9670 79	2	9.35	1678	193	-30 E	14	40	2	300

TABLE 1 CONTINUED

TABLE 1 CONTINUED

9671 79	2	9.35	1678	13	-54 W	5	70	2	100	9711 79	2	26.32	1679	149	+26 W	6	10	1	50
9672 79	2	9.35	1678	13	-41 W	4	10	2	30	9712 79	2	26.32	1679	149	+49 W	10	30	2	90
9673 79	2	9.35	1678	13	-11 W	9	20	2	130	9713 79	2	26.32	1679	149	+64 W	1	70	2	20
9674 79	2	9.35	1678	13	-2 W	5	50	2	120	9714 79	2	26.32	1679	149	+70 W	1	10	1	10
9675 79	2	9.35	1678	13	+8 W	2	70	2	60	9715 79	2	27.36	1679	316	+58 E	4	20	2	80
9676 79	2	9.35	1678	13	+18 W	2	10	1	10	9716 79	2	27.36	1679	316	+29 E	9	120	3	250
9677 79	2	9.35	1678	13	+35 W	1	20	1	10	9717 79	3	3.41	1679	262	+51 E	2	10	1	20
9678 79	2	9.35	1678	13	+58 W	6	50	3	190	9718 79	3	3.41	1679	262	-1 E	2	30	2	40
9679 79	2	22.49	1679	20	+63 E	8	50	2	180	9719 79	3	3.41	1679	262	-68 E	3	10	2	30
9680 79	2	22.49	1679	20	+35 E	12	20	2	40	9720 79	3	3.41	1679	82	-81 W	4	40	2	80
9681 79	2	22.49	1679	20	+10 E	1	50	2	20	9721 79	3	3.41	1679	82	-39 W	2	20	2	25
9682 79	2	22.49	1679	20	-46 E	7	20	2	40	9722 79	3	3.41	1679	82	-18 W	2	10	2	20
9683 79	2	22.49	1679	200	-58 W	6	40	2	80	9723 79	3	3.41	1679	82	-8 W	1	50	2	50
9684 79	2	22.49	1679	200	-38 W	4	20	2	50	9724 79	3	3.41	1679	82	-1 W	3	30	2	70
9685 79	2	22.49	1679	200	+22 W	4	20	2	50	9725 79	3	3.41	1679	82	+4 W	1	10	2	10
9686 79	2	22.49	1679	200	+41 W	14	40	2	140	9726 79	3	3.41	1679	82	+65 W	1	70	1	70
9687 79	2	23.34	1679	9	+62 E	13	50	3	310	9727 79	3	6.53	1679	221	+42 E	1	10	2	10
9688 79	2	23.34	1679	9	+31 E	20	20	2	90	9728 79	3	6.53	1679	221	-28 E	3	10	2	30
9689 79	2	23.34	1679	9	-42 E	24	60	2	180	9729 79	3	6.53	1679	221	-42 E	1	50	1	40
9690 79	2	23.34	1679	189	-33 W	17	70	3	340	9730 79	3	6.53	1679	221	-50 E	1	40	1	30
9691 79	2	23.34	1679	139	+21 W	5	20	2	40	9731 79	3	6.53	1679	221	-55 E	1	20	2	30
9692 79	2	23.34	1679	189	+55 W	26	60	3	220	9732 79	3	6.53	1679	41	-63 W	2	10	2	20
9693 79	2	24.32	1679	356	+66 E	12	40	3	280	9733 79	3	6.53	1679	41	+62 W	5	60	2	130
9694 79	2	24.32	1679	356	+26 E	28	50	2	160	9734 79	3	9.32	1679	184	+58 E	2	20	1	40
9695 79	2	24.32	1679	356	-32 E	12	30	3	270	9735 79	3	9.32	1679	184	-8 E	3	10	2	30
9696 79	2	24.32	1679	356	-68 E	3	40	2	60	9736 79	3	9.32	1679	184	-25 E	6	40	2	130
9697 79	2	24.32	1679	176	-32 W	20	40	2	180	9737 79	3	9.32	1679	184	-35 E	2	50	1	60
9698 79	2	24.32	1679	176	+19 W	29	70	2	140	9738 79	3	9.32	1679	184	-41 E	1	10	1	10
9699 79	2	24.32	1679	176	+49 W	5	20	2	40	9739 79	3	9.32	1679	184	-53 E	2	20	1	30
9700 79	2	24.32	1679	176	+67 W	5	20	2	50	9740 79	3	9.32	1679	4	-49 W	1	10	1	10
9701 79	2	26.32	1679	329	+58 E	9	50	2	110	9741 79	3	9.32	1679	4	-39 W	1	10	1	10
9702 79	2	26.32	1679	329	+26 E	10	40	3	190	9742 79	3	9.32	1679	4	-15 W	1	10	2	10
9703 79	2	26.32	1679	329	+2 E	4	10	1	20	9743 79	3	9.32	1679	4	-9 W	4	10	2	40
9704 79	2	26.32	1679	329	-14 E	2	30	1	40	9744 79	3	9.32	1679	4	-1 W	2	20	2	30
9705 79	2	26.32	1679	329	-34 E	6	20	2	70	9745 79	3	9.32	1679	4	+12 W	3	10	2	30
9706 79	2	26.32	1679	329	-49 E	1	40	2	20	9746 79	3	9.32	1679	4	+33 W	4	50	2	130
9707 79	2	26.32	1679	329	-56 E	1	10	1	10	9747 79	3	9.32	1679	4	+60 W	5	60	2	190
9708 79	2	26.32	1679	329	-63 E	4	20	2	30	9748 79	3	11.27	1679	158	+45 E	2	20	3	40
9709 79	2	26.32	1679	329	-74 E	8	40	2	110	9749 79	3	11.27	1679	158	+15 E	2	10	2	20
9710 79	2	26.32	1679	149	-27 W	27	60	2	190	9750 79	3	11.27	1679	158	+9 E	2	10	1	20

TABLE 1 CONTINUED

TABLE 1 CONTINUED

9751 79	3	11.27	1679	158	-19 E	8	10	2	80	9791 79	3	22.32	1680	13	+62 E	8	80	3	350	
9752 79	3	11.27	1679	158	-28 E	7	20	2	80	9792 79	3	22.32	1680	193	-43 W	8	20	2	40	
9753 79	3	11.27	1679	158	-36 E	1	10	1	10	9793 79	3	22.32	1680	193	-12 W	3	10	1	20	
9754 79	3	11.27	1679	338	-50 W	5	40	1	60	9794 79	3	22.32	1680	193	+18 W	4	20	2	50	
9755 79	3	11.27	1679	338	-42 W	7	40	2	130	9795 79	3	22.32	1680	193	+41 W	15	20	2	60	
9756 79	3	11.27	1679	338	-21 W	1	90	2	150	9796 79	3	23.58	1680	356	+63 E	3	20	2	40	
9757 79	3	11.27	1679	338	+8 W	1	50	2	50	9797 79	3	23.58	1680	356	+24 E	12	50	3	170	
9758 79	3	11.27	1679	338	+38 W	1	50	2	60	9798 79	3	23.58	1680	356	-17 E	2	20	2	30	
9759 79	3	18.63	1680	61	+45 E	14	40	2	80	9799 79	3	23.58	1680	356	-40 E	13	50	3	190	
9760 79	3	18.63	1680	61	+16 E	2	20	1	30	9800 79	3	23.58	1680	356	-63 E	9	100	3	310	
9761 79	3	18.63	1680	61	-4 E	7	30	2	120	9801 79	3	23.58	1680	176	-47 W	15	40	2	110	
9762 79	3	18.63	1680	61	-39 E	3	10	1	30	9802 79	3	23.58	1680	176	-30 W	2	30	2	40	
9763 79	3	18.63	1680	241	-61 W	11	70	3	360	9803 79	3	23.58	1680	176	-12 W	9	40	2	160	
9764 79	3	18.63	1680	241	-17 W	4	40	2	80	9804 79	3	23.58	1680	176	+16 W	6	20	2	60	
9765 79	3	18.63	1680	241	+26 W	2	20	1	30	9805 79	3	23.58	1680	176	+36 W	14	70	2	140	
9766 79	3	18.63	1680	241	+58 W	11	60	2	250	9806 79	3	24.43	1680	345	+63 E	2	20	1	20	
9767 79	3	19.56	1680	49	+43 E	5	30	2	70	9807 79	3	24.43	1680	345	+36 E	5	70	2	130	
9768 79	3	19.56	1680	49	-8 E	7	20	2	60	9808 79	3	24.43	1680	345	-14 E	3	40	2	70	
9769 79	3	19.56	1680	49	-35 E	13	10	1	50	9809 79	3	24.43	1680	345	-28 E	2	20	1	30	
9770 79	3	19.56	1680	49	-62 E	1	10	1	10	9810 79	3	24.43	1680	345	-61 E	9	100	2	320	
9771 79	3	19.56	1680	229	-64 W	9	60	3	250	9811 79	3	24.43	1680	165	-30 W	3	50	2	90	
9772 79	3	19.56	1680	229	-19 W	5	20	1	20	9812 79	3	24.43	1680	165	-16 W	9	40	2	170	
9773 79	3	19.56	1680	229	+32 W	9	30	2	120	9813 79	3	24.43	1680	165	+39 W	5	20	1	40	
9774 79	3	19.56	1680	229	+60 W	4	90	3	190	9814 79	3	24.43	1680	165	+67 W	6	30	2	70	
9775 79	3	20.61	1680	35	+34 E	8	50	2	190	9815 79	3	25.33	1680	333	+63 E	6	40	2	80	
9776 79	3	20.61	1680	35	+10 E	2	30	1	40	9816 79	3	25.33	1680	333	+39 E	3	50	3	90	
9777 79	3	20.61	1680	35	-33 E	27	60	2	220	9817 79	3	25.33	1680	333	+25 E	3	20	2	30	
9778 79	3	20.61	1680	215	-67 W	7	20	1	70	9818 79	3	25.33	1680	333	+2 E	2	40	2	40	
9779 79	3	20.61	1680	215	+33 W	9	30	1	80	9819 79	3	25.33	1680	333	-25 E	6	70	3	120	
9780 79	3	20.61	1680	215	+59 W	1	70	2	70	9820 79	3	25.33	1680	333	-59 E	8	80	3	300	
9781 79	3	21.33	1680	26	+41 E	5	20	2	60	9821 79	3	25.33	1680	153	-65 W	10	20	2	50	
9782 79	3	21.33	1680	26	-26 E	18	20	2	120	9822 79	3	25.33	1680	153	-34 W	3	40	2	50	
9783 79	3	21.33	1680	206	-60 W	1	40	20	1	40	9823 79	3	25.33	1680	153	-15	1	6	3	160
9784 79	3	21.33	1680	206	-2 W	2	20	1	20	9824 79	3	25.33	1680	153	+56 W	12	100	3	630	
9785 79	3	21.33	1680	206	+26 W	4	10	1	30	9825 79	4	3.27	1680	215	+29 E	5	20	2	60	
9786 79	3	22.32	1680	13	+64 E	4	10	1	20	9826 79	4	3.27	1680	215	+6 E	9	30	2	80	
9787 79	3	22.32	1680	13	+54 E	1	10	1	10	9827 79	4	3.27	1680	215	-58 E	11	20	1	40	
9788 79	3	22.32	1680	13	+30 E	12	20	2	70	9828 79	4	3.27	1680	35	-56 W	1	20	2	30	
9789 79	3	22.32	1680	13	+17 E	11	20	2	40	9829 79	4	3.27	1680	35	-33 W	6	40	2	120	
9790 79	3	22.32	1680	13	+35 E	16	40	2	90	9830 79	4	3.27	1680	35	-17 W	17	50	3	540	

TABLE 1 CONTINUED

9831 79	4	3.27	1680	35	+ 2 W	2	30	2	40	9871 79	4	12.31	1680	96	-27 E	6	50	2	120
9832 79	4	3.27	1680	35	+20 W	2	30	2	40	9872 79	4	12.31	1680	96	-51 E	7	40	2	100
9833 79	4	4.27	1680	202	+46 E	5	30	2	90	9873 79	4	12.31	1680	276	-54 W	6	20	2	80
9834 79	4	4.27	1680	202	+26 E	70	2	30		9874 79	4	12.31	1680	276	-23 W	9	20	2	50
9835 79	4	4.27	1680	202	-66 E	6	40	2	130	9875 79	4	12.31	1680	276	+11 W	1	90	2	30
9836 79	4	4.27	1680	22	-31 W	27	60	3	690	9876 79	4	12.31	1680	276	+62 E	8	30	2	150
9837 79	4	4.27	1680	22	+ 9 W	3	50	2	60	9877 79	4	13.42	1681	81	+48 E	16	70	3	490
9838 79	4	8.35	1680	148	+49 E	2	70	1	60	9878 79	4	13.42	1681	81	+ 6 E	6	60	3	230
9839 79	4	8.35	1680	148	+19 E	8	50	1	230	9879 79	4	13.42	1681	81	- 7 E	4	20	2	60
9840 79	4	8.35	1680	148	-58 E	5	50	1	190	9880 79	4	13.42	1681	261	-56 W	4	20	2	40
9841 79	4	8.35	1680	328	-47 W	3	20	1	40	9881 79	4	13.42	1681	261	+ 7 W	9	120	3	230
9842 79	4	8.35	1680	328	-25 U	4	40	1	80	9882 79	4	13.42	1681	261	+23 W	8	20	2	30
9843 79	4	8.35	1680	328	- 4 W	2	50	1	50	9883 79	4	13.42	1681	261	+64 W	7	40	2	80
9844 79	4	8.35	1680	328	+16 W	10	70	2	290	9884 79	4	16.32	1681	43	+50 E	3	100	3	120
9845 79	4	9.25	1680	136	+42 E	11	100	2	270	9885 79	4	16.32	1681	43	+28 E	7	10	1	20
9846 79	4	9.25	1680	136	- 1 E	17	40	1	210	9886 79	4	16.32	1681	43	+ 9 E	3	20	2	50
9847 79	4	9.25	1680	136	-27 E	5	20	1	70	9887 79	4	16.32	1681	43	- 2 E	8	30	2	90
9848 79	4	9.25	1680	136	-45 E	3	30	1	50	9888 79	4	16.32	1681	43	-18 E	18	40	2	320
9849 79	4	9.25	1680	136	-63 E	10	50	1	300	9889 79	4	16.32	1681	43	-43 E	2	10	1	20
9850 79	4	9.25	1680	316	-67 W	3	20	1	30	9890 79	4	16.32	1681	223	-56 W	4	20	1	40
9851 79	4	9.25	1680	316	-50 W	7	40	1	50	9891 79	4	16.32	1681	223	-23 W	6	40	2	100
9852 79	4	9.25	1680	316	-11 W	23	90	1	510	9892 79	4	16.32	1681	223	+48 W	7	140	3	730
9853 79	4	9.25	1680	316	+22 W	4	50	2	80	9893 79	4	19.56	1681	0	+28 E	3	30	1	40
9854 79	4	9.25	1680	316	+37 W	13	20	2	190	9894 79	4	19.56	1681	0	-34 E	10	20	2	110
9855 79	4	9.25	1680	316	+65 W	7	60	1	130	9895 79	4	19.56	1681	180	-54 W	6	20	1	80
9856 79	4	10.25	1680	123	+47 E	15	60	2	420	9896 79	4	19.56	1681	180	+12 W	2	40	1	40
9857 79	4	10.25	1680	123	+19 E	12	60	2	210	9897 79	4	19.56	1681	180	+52 W	9	130	2	160
9858 79	4	10.25	1680	123	+ 4 E	12	80	2	180	9898 79	4	20.25	1681	351	+24 E	5	30	1	70
9859 79	4	10.25	1680	123	-25 E	8	40	2	190	9899 79	4	20.25	1681	351	-38 E	10	50	1	280
9860 79	4	10.25	1680	123	-40 E	7	30	1	60	9900 79	4	22.22	1681	325	-33 E	2	80	1	100
9861 79	4	10.25	1680	123	-61 E	10	50	2	380	9901 79	4	22.22	1681	145	-34 W	2	50	1	50
9862 79	4	10.25	1680	303	-54 W	5	30	2	60	9902 79	4	22.22	1681	145	+48 W	4	70	1	120
9863 79	4	10.25	1680	303	-33 W	1	70	2	70	9903 79	4	23.29	1681	311	+56 E	4	40	2	70
9864 79	4	10.25	1680	303	-18 W	8	40	2	200	9904 79	4	23.29	1681	311	+29 E	3	40	2	50
9865 79	4	10.25	1680	303	+ 4 W	2	20	1	30	9905 79	4	23.29	1681	311	-34 E	3	90	3	180
9866 79	4	10.25	1680	303	+38 W	6	30	2	210	9906 79	4	23.29	1681	311	-52 E	10	50	2	170
9867 79	4	10.25	1680	303	+64 W	8	50	2	120	9907 79	4	23.29	1681	131	-60 W	9	70	3	290
9868 79	4	12.31	1680	96	+43 E	8	100	3	510	9908 79	4	23.29	1681	131	-44 W	10	50	3	150
9869 79	4	12.31	1680	96	+28 E	10	30	2	70	9909 79	4	23.29	1681	131	-18 W	10	10	2	50
9870 79	4	12.31	1680	96	+ 1 E	6	40	2	70	9910 79	4	23.29	1681	131	+21 W	4	30	2	80

TABLE 1 CONTINUED

TABLE 1 CONTINUED

9911 79	4	23.29	1681	131	+54 W	11	90	3	520	9951 79	5	10.64	1682	262	-58 W	2	30	2	30
9912 79	4	30.21	1681	219	+61 E	9	30	2	120	9952 79	5	10.64	1682	262	-21 W	2	20	2	40
9913 79	4	30.21	1681	219	+38 E	13	90	3	650	9953 79	5	10.64	1682	262	-4 W	2	40	2	50
9914 79	4	30.21	1681	219	+19 E	5	80	3	120	9954 79	5	10.64	1682	262	+12 W	8	50	2	160
9915 79	4	30.21	1681	219	-4 E	13	40	2	180	9955 79	5	10.64	1682	262	+68 W	3	60	3	130
9916 79	4	30.21	1681	219	-33 E	3	40	2	50	9956 79	5	12.28	1682	60	+23 E	2	20	2	30
9917 79	4	30.21	1681	219	-59 E	6	30	2	60	9957 79	5	12.28	1682	60	-22 E	5	40	2	110
9918 79	4	30.21	1681	39	-61 W	5	20	2	50	9958 79	5	12.28	1682	240	-58 W	3	20	2	40
9919 79	4	30.21	1681	39	-31 W	8	30	2	60	9959 79	5	12.28	1682	240	-32 W	7	30	2	70
9920 79	4	30.21	1681	39	-16 W	3	20	2	50	9960 79	5	12.28	1682	240	0 W	3	30	2	40
9921 79	4	30.21	1681	39	-2 W	4	20	2	70	9961 79	5	12.28	1682	240	+10 W	3	60	2	80
9922 79	4	30.21	1681	39	+37 W	9	10	2	50	9962 79	5	12.28	1682	240	+26 W	8	120	2	480
9923 79	4	30.21	1681	39	+49 W	1	20	1	10	9963 79	5	12.28	1682	240	+43 W	6	40	2	80
9924 79	5	4.54	1681	162	+60 E	8	40	2	150	9964 79	5	12.28	1682	240	+67 W	3	60	2	80
9925 79	5	4.54	1681	162	+22 E	4	20	2	60	9965 79	5	13.28	1682	47	+44 E	2	30	2	30
9926 79	5	4.54	1681	162	+7 E	1	20	2	20	9966 79	5	13.28	1682	47	+28 E	2	20	2	30
9927 79	5	4.54	1681	162	-26 E	4	20	2	40	9967 79	5	13.28	1682	47	-3 E	7	50	2	180
9928 79	5	4.54	1681	162	-59 E	5	30	2	60	9968 79	5	13.28	1682	47	-18 E	1	30	2	40
9929 79	5	4.54	1681	342	-35 W	14	30	2	210	9969 79	5	13.28	1682	47	-31 E	9	30	2	120
9930 79	5	4.54	1681	342	-18 W	1	50	2	70	9970 79	5	13.28	1682	227	-56 W	8	30	2	90
9931 79	5	4.54	1681	342	-11 W	2	10	2	20	9971 79	5	13.28	1682	227	-30 W	7	10	1	30
9932 79	5	4.54	1681	342	+63 W	1	30	2	60	9972 79	5	13.28	1682	227	-19 W	7	40	2	120
9933 79	5	5.22	1681	153	+60 E	7	20	2	70	9973 79	5	13.28	1682	227	-2 W	8	50	2	260
9934 79	5	5.22	1681	153	+14 E	3	10	2	30	9974 79	5	13.28	1682	227	+25 W	6	120	2	470
9935 79	5	5.22	1681	153	-36 E	2	30	1	40	9975 79	5	13.28	1682	227	+45 W	13	70	2	360
9936 79	5	5.22	1681	153	-53 E	3	40	2	70	9976 79	5	13.28	1682	227	+65 W	2	60	2	60
9937 79	5	5.22	1681	333	-33 W	14	30	2	250	9977 79	5	14.37	1682	32	+39 E	12	50	1	70
9938 79	5	5.22	1681	333	-24 W	1	40	2	40	9978 79	5	14.37	1682	32	+8 E	3	10	2	30
9939 79	5	5.22	1681	333	-13 W	3	60	2	100	9979 79	5	14.37	1682	32	-3 E	4	20	2	50
9940 79	5	5.22	1681	333	+36 W	4	30	2	60	9980 79	5	14.37	1682	32	-25 E	20	30	2	150
9941 79	5	5.22	1681	333	+61 W	7	60	2	100	9981 79	5	14.37	1682	212	-61 W	4	20	2	60
9942 79	5	6.21	1681	140	-27 E	3	30	2	70	9982 79	5	14.37	1682	212	-55 W	3	10	2	30
9943 79	5	6.21	1681	140	-60 E	4	40	2	100	9983 79	5	14.37	1682	212	-22 W	7	30	2	70
9944 79	5	6.21	1681	320	-42 W	28	150	2	250	9984 79	5	14.37	1682	212	+37 W	31	110	2	710
9945 79	5	6.21	1681	320	-12 W	6	30	2	140	9985 79	5	14.37	1682	212	+64 W	2	60	2	80
9946 79	5	6.21	1681	320	+23 W	7	20	3	90	9986 79	5	15.19	1682	22	+48 E	1	20	1	30
9947 79	5	6.21	1681	320	+37 W	6	20	2	90	9987 79	5	15.19	1682	22	+39 E	1	50	1	50
9948 79	5	6.21	1681	320	+58 W	4	70	2	100	9988 79	5	15.19	1682	22	+3 E	13	40	2	120
9949 79	5	10.64	1682	32	+12 E	15	70	2	440	9989 79	5	15.19	1682	22	-18 E	1	30	1	20
9950 79	5	10.64	1682	82	-26 E	2	40	2	60	9990 79	5	15.19	1682	22	-25 E	1	30	2	40

TABLE 1 CONTINUED

TABLE 1 CONTINUED

9991 79	5	15.19	1682	22	-31 E	2	30	2	40	10031 79	5	19.28	1682	148	-31 W	1	20	2	20
9992 79	5	15.19	1682	22	-40 F	3	30	1	40	10032 79	5	19.28	1682	148	+3 W	5	50	2	140
9993 79	5	15.19	1682	202	-59 W	7	30	2	90	10033 79	5	19.28	1682	148	+15 W	15	70	2	210
9994 79	5	15.19	1682	202	-14 W	2	20	2	30	10034 79	5	19.28	1682	148	+45 W	11	50	2	240
9995 79	5	15.19	1682	202	+28 W	24	110	2	490	10035 79	5	19.28	1682	148	+56 W	1	20	1	20
9996 79	5	15.19	1682	202	+66 W	2	60	2	100	10036 79	5	19.28	1682	148	+62 W	3	30	2	60
9997 79	5	16.20	1682	8	+57 E	24	110	1	230	10037 79	5	20.52	1682	311	+23 E	50	1	30	
9998 79	5	16.20	1682	8	+31 E	7	20	2	90	10038 79	5	20.52	1682	311	-20 E	1	60	2	120
9999 79	5	16.20	1682	8	+8 E	17	30	2	150	10039 79	5	20.52	1682	131	-62 W	6	30	2	100
10000 79	5	16.20	1682	8	-38 E	10	20	2	90	10040 79	5	20.52	1682	131	-18 W	14	70	1	80
10001 79	5	16.20	1682	188	-57 W	4	30	2	80	10041 79	5	20.52	1682	131	+32 W	12	20	3	180
10002 79	5	16.20	1682	188	-15 W	4	40	2	70	10042 79	5	20.52	1682	131	+60 W	5	50	2	170
10003 79	5	16.20	1682	188	+42 W	13	90	2	320	10043 79	5	21.21	1682	302	+62 E	3	20	2	50
10004 79	5	16.20	1682	188	+66 W	4	30	2	80	10044 79	5	21.21	1682	302	+38 E	2	10	2	20
10005 79	5	17.23	1682	355	+48 E	1	20	1	20	10045 79	5	21.21	1682	302	-18 E	50	2	90	
10006 79	5	17.23	1682	355	+42 E	2	10	1	10	10046 79	5	21.21	1682	122	-60 W	5	30	2	80
10007 79	5	17.23	1682	355	+29 E	4	50	2	90	10047 79	5	21.21	1682	122	-6 W	2	10	1	20
10008 79	5	17.23	1682	355	-37 E	14	50	2	310	10048 79	5	21.21	1682	122	+35 W	8	50	2	190
10009 79	5	17.23	1682	175	-59 W	4	40	2	80	10049 79	5	21.21	1682	122	+62 W	6	70	2	200
10010 79	5	17.23	1682	175	-19 W	9	40	2	70	10050 79	5	25.46	1682	246	+60 E	7	50	2	200
10011 79	5	17.23	1682	175	+13 W	1	70	2	80	10051 79	5	25.46	1682	246	+13 E	5	30	2	140
10012 79	5	17.23	1682	175	+48 W	3	70	2	120	10052 79	5	25.46	1682	246	+4 E	3	20	2	50
10013 79	5	17.23	1682	175	+66 W	7	40	2	110	10053 79	5	25.46	1682	246	-6 E	3	30	2	70
10014 79	5	18.27	1682	341	+31 E	2	30	2	40	10054 79	5	25.46	1682	246	-58 E	7	30	2	90
10015 79	5	18.27	1682	341	-3 E	6	20	2	60	10055 79	5	25.46	1682	66	-59 W	2	30	2	40
10016 79	5	18.27	1682	341	-14 E	2	30	2	50	10056 79	5	25.46	1682	66	-4 W	17	40	2	190
10017 79	5	18.27	1682	341	-36 E	12	60	2	340	10057 79	5	25.46	1682	66	+33 W	7	20	2	90
10018 79	5	18.27	1682	161	-60 W	3	40	2	60	10058 79	5	28.26	1682	209	+63 E	10	50	2	220
10019 79	5	18.27	1682	161	-12 W	4	40	2	70	10059 79	5	28.26	1682	209	-16 E	11	40	2	180
10020 79	5	18.27	1682	161	-4 W	2	50	2	80	10060 79	5	28.26	1682	209	-60 E	10	70	2	290
10021 79	5	18.27	1682	161	+32 W	1	20	2	20	10061 79	5	28.26	1682	29	-56 W	12	40	2	90
10022 79	5	18.27	1682	161	+39 W	4	10	1	40	10062 79	5	28.26	1682	29	+3 W	5	40	2	130
10023 79	5	18.27	1682	161	+51 W	6	70	2	110	10063 79	5	28.26	1682	29	+41 W	2	50	2	50
10024 79	5	18.27	1682	161	+62 W	4	40	2	100	10064 79	5	29.19	1682	197	-15 E	20	60	2	250
10025 79	5	18.27	1682	161	+70 W	5	20	2	70	10065 79	5	29.19	1682	197	-58 E	5	50	2	160
10026 79	5	19.28	1682	328	+17 E	1	50	1	50	10066 79	5	29.19	1682	17	-7 W	3	10	2	30
10027 79	5	19.28	1682	328	-3 E	5	40	2	110	10067 79	5	29.19	1682	17	+4 W	2	20	2	30
10028 79	5	19.28	1682	328	-22 E	6	50	2	170	10068 79	5	29.19	1682	17	+13 W	4	30	2	80
10029 79	5	19.28	1682	328	-38 E	11	50	2	220	10069 79	5	29.19	1682	17	+45 W	1	20	2	80
10030 79	5	19.28	1682	148	-59 W	1	40	2	110	10070 79	5	29.19	1682	17	+53 W	2	30	2	50

TABLE 1 CONTINUED

TABLE 1 CONTINUED

10071 79	5	30.19	1682	184	+63 E	8	20	1	90	10111 79	6	9.17	1683	52	-29 E	5	30	2	80
10072 79	5	30.19	1682	184	+42 E	1	20	1	20	10112 79	6	9.17	1683	52	-59 E	5	40	2	80
10073 79	5	30.19	1682	184	+28 F	3	20	1	30	10113 79	6	9.17	1683	232	-55 W	3	40	1	70
10074 79	5	30.19	1682	184	+18 E	2	40	1	40	10114 79	6	9.17	1683	232	-30 W	2	20	1	20
10075 79	5	30.19	1682	184	-8 E	24	100	1	230	10115 79	6	9.17	1683	232	-20 W	6	30	2	80
10076 79	5	30.19	1682	184	-40 E	1	20	2	30	10116 79	6	9.17	1683	232	-2 W	6	40	2	140
10077 79	5	30.19	1682	184	-00 E	5	30	2	70	10117 79	6	9.17	1683	232	+18 W	17	50	3	490
10078 79	5	30.19	1682	184	-22 E	1	20	2	30	10118 79	6	9.17	1683	232	+64 W	2	60	3	80
10079 79	5	30.19	1682	4	-34 W	7	60	2	290	10119 79	6	11.20	1683	25	+49 E	4	20	1	40
10080 79	5	30.19	1682	4	+18 W	2	30	1	60	10120 79	6	11.20	1683	25	+34 E	6	40	2	130
10081 79	5	30.19	1682	4	+36 W	6	40	2	100	10121 79	6	11.20	1683	25	+14 E	3	40	2	60
10082 79	5	30.19	1682	4	+51 W	11	30	2	200	10122 79	6	11.20	1683	25	+1 E	4	70	2	120
10083 79	5	31.24	1682	170	+48 E	3	10	2	30	10123 79	6	11.20	1683	25	-15 E	8	40	2	190
10084 79	5	31.24	1682	170	+36 E	1	10	1	10	10124 79	6	11.20	1683	25	-50 E	2	30	1	30
10085 79	5	31.24	1682	170	+31 E	2	60	2	70	10125 79	6	11.20	1683	25	-59 E	2	20	1	30
10086 79	5	31.24	1682	170	+2 E	2	60	2	70	10126 79	6	11.20	1683	205	-58 W	3	20	1	30
10087 79	5	31.24	1682	170	-23 E	5	20	2	30	10127 79	6	11.20	1683	205	-30 W	6	20	1	30
10088 79	5	31.24	1682	350	-36 W	6	100	2	330	10128 79	6	11.20	1683	205	+25 W	9	20	2	40
10089 79	5	31.24	1682	350	+35 W	3	40	2	80	10129 79	6	11.20	1683	205	+63 W	5	100	3	240
10090 79	6	1.19	1682	157	+63 E	3	20	2	40	10130 79	6	12.20	1683	12	+45 E	9	10	1	40
10091 79	6	1.19	1682	157	+46 E	9	40	2	90	10131 79	6	12.20	1683	12	+14 E	3	80	2	120
10092 79	6	1.19	1682	157	+32 E	7	40	2	110	10132 79	6	12.20	1683	12	0 E	1	20	1	20
10093 79	6	1.19	1682	157	-12 E	17	70	3	370	10133 79	6	12.20	1683	12	-13 E	11	40	2	160
10094 79	6	1.19	1682	157	-60 E	3	20	2	30	10134 79	6	12.20	1683	12	-55 E	12	20	2	60
10095 79	6	1.19	1682	337	-40 W	3	70	3	150	10135 79	6	12.20	1683	192	-53 W	3	40	2	50
10096 79	6	1.19	1682	337	-2 W	6	20	2	70	10136 79	6	12.20	1683	192	+64 W	6	100	3	260
10097 79	6	1.19	1682	337	+39 W	4	20	2	50	10137 79	6	13.19	1683	359	+24 E	2	100	2	80
10098 79	6	1.19	1682	337	+50 W	1	60	2	30	10138 79	6	13.19	1683	359	+11 E	12	40	2	240
10099 79	6	3.40	1682	128	+62 E	4	30	2	60	10139 79	6	13.19	1683	359	0 E	2	20	1	20
10100 79	6	3.40	1682	128	+50 F	2	20	2	30	10140 79	6	13.19	1683	359	-54 E	9	20	2	60
10101 79	6	3.40	1682	128	+41 E	3	20	2	50	10141 79	6	13.19	1683	179	-55 W	4	50	2	90
10102 79	6	3.40	1682	128	-5 E	10	30	3	210	10142 79	6	13.19	1683	179	-33 W	10	70	3	240
10103 79	6	3.40	1682	128	-21 E	3	20	2	30	10143 79	6	13.19	1683	179	-15 W	7	30	1	50
10104 79	6	3.40	1682	128	-33 E	4	50	2	120	10144 79	6	13.19	1683	179	-3 W	8	30	1	90
10105 79	6	3.40	1682	308	-34 W	12	30	2	140	10145 79	6	13.19	1683	179	+7 W	1	10	1	10
10106 79	6	3.40	1682	308	+9 W	10	40	2	70	10146 79	6	13.19	1683	179	+20 W	5	10	1	50
10107 79	6	3.40	1682	308	+37 W	8	20	2	60	10147 79	6	13.19	1683	179	+41 W	4	10	1	30
10108 79	6	9.17	1683	52	+52 E	15	40	2	170	10148 79	6	13.19	1683	179	+64 W	9	90	3	340
10109 79	6	9.17	1683	52	+30 E	13	30	2	110	10149 79	6	14.15	1683	346	+51 E	9	70	2	160
10110 79	6	9.17	1683	52	-2 E	17	40	2	210	10150 79	6	14.15	1683	346	+5 E	18	50	2	210

TABLE 1 CONTINUED		TABLE 1 CONTINUED		TABLE 1 CONTINUED		TABLE 1 CONTINUED		TABLE 1 CONTINUED		TABLE 1 CONTINUED		TABLE 1 CONTINUED		TABLE 1 CONTINUED					
10151 79	6	14.15	1683	166	-58 W	3	70	2	80	10191 79	7	9.21	1684	195	-54 W	5	40	2	80
10152 79	6	14.15	1683	166	-44 W	3	20	1	40	10192 79	7	9.21	1684	195	-32 W	1	20	1	20
10153 79	6	14.15	1683	166	-31 W	9	20	2	80	10193 79	7	9.21	1684	195	-27 W	1	30	1	30
10154 79	6	14.15	1683	166	-5 W	12	50	3	310	10194 79	7	9.21	1684	195	-17 W	18	60	2	570
10155 79	6	14.15	1683	166	+14 W	3	30	1	40	10195 79	7	9.21	1684	195	-4 W	1	40	2	50
10156 79	6	14.15	1683	166	+22 W	1	10	1	10	10196 79	7	9.21	1684	195	+7 W	1	40	1	30
10157 79	6	14.15	1683	166	+67 W	9	60	3	320	10197 79	7	9.21	1684	195	+29 W	3	50	2	100
10158 79	6	18.20	1683	293	+5 E	16	110	2	170	10198 79	7	9.21	1684	195	+62 W	5	60	2	80
10159 79	6	18.20	1683	293	-31 E	2	20	2	30	10199 79	7	13.50	1684	321	+47 E	2	40	1	130
10160 79	6	18.20	1683	113	-62 W	1	40	2	50	10200 79	7	13.50	1684	321	+38 E	2	40	1	50
10161 79	6	18.20	1683	113	-33 W	3	30	2	70	10201 79	7	13.50	1684	321	+3 E	5	40	1	90
10162 79	6	18.20	1683	113	-27 W	1	50	2	50	10202 79	7	13.50	1684	321	-9 E	1	60	1	50
10163 79	6	18.20	1683	113	-22 W	2	40	1	30	10203 79	7	13.50	1684	141	-34 W	1	20	2	40
10164 79	6	18.20	1683	113	-12 W	1	10	1	10	10204 79	7	13.50	1684	141	-15 W	2	120	2	260
10165 79	6	18.20	1683	113	+68 W	3	30	2	40	10205 79	7	13.50	1684	141	+5 W	2	20	1	70
10166 79	6	19.25	1683	279	+61 E	4	40	1	30	10206 79	7	13.50	1684	141	+51 W	1	50	1	40
10167 79	6	19.25	1683	279	+54 E	1	30	1	10	10207 79	7	13.50	1684	141	+65 W	7	30	2	180
10168 79	6	19.25	1683	279	+38 E	14	30	1	110	10208 79	7	14.22	1684	309	+48 E	5	40	1	90
10169 79	6	19.25	1683	279	+2 F	6	120	2	230	10209 79	7	14.22	1684	309	+37 E	5	30	2	90
10170 79	6	19.25	1683	279	-38 E	5	40	2	80	10210 79	7	14.22	1684	309	+7 E	2	70	2	80
10171 79	6	19.25	1683	99	-12 W	2	20	2	30	10211 79	7	14.22	1684	309	-13 E	1	20	2	30
10172 79	6	19.25	1683	99	+22 W	1	20	2	20	10212 79	7	14.22	1684	309	-30 E	2	10	2	20
10173 79	6	19.25	1683	99	+41 W	4	20	2	50	10213 79	7	14.22	1684	309	-39 E	5	20	2	50
10174 79	6	19.25	1683	99	+63 W	3	20	2	50	10214 79	7	14.22	1684	129	-61 W	2	20	2	30
10175 79	6	25.25	1683	200	+66 E	3	20	2	40	10215 79	7	14.22	1684	129	-25 W	1	50	2	70
10176 79	6	25.25	1683	20	+24 W	8	30	2	160	10216 79	7	14.22	1684	129	+10 W	10	40	2	150
10177 79	6	27.24	1683	173	+63 F	3	20	2	40	10217 79	7	14.22	1684	129	+64 W	6	30	2	170
10178 79	6	27.24	1683	173	+44 E	2	30	2	50	10218 79	7	14.22	1684	229	+68 E	22	70	1	590
10179 79	6	27.24	1683	173	+18 E	3	10	1	30	10219 79	7	20.27	1684	229	+44 E	10	40	2	160
10180 79	6	27.24	1683	173	-5 E	2	20	1	30	10220 79	7	20.27	1684	229	+33 E	2	40	2	50
10181 79	6	27.24	1683	173	-19 E	4	20	2	70	10221 79	7	20.27	1684	229	+23 E	10	20	2	130
10182 79	6	27.24	1683	173	-33 E	1	10	2	10	10222 79	7	20.27	1684	229	+12 E	1	10	2	10
10183 79	6	27.24	1683	173	-60 E	2	20	2	30	10223 79	7	20.27	1684	229	-48 E	15	70	2	510
10184 79	6	27.24	1683	353	+33 W	1	130	1	90	10224 79	7	20.27	1684	49	-43 W	4	60	2	220
10185 79	6	27.24	1683	353	+55 W	1	30	2	30	10225 79	7	20.27	1684	49	-34 W	7	50	2	240
10186 79	7	9.21	1684	15	+59 E	10	40	2	140	10226 79	7	20.27	1684	49	+3 W	2	30	1	50
10187 79	7	9.21	1684	15	+36 E	1	20	1	20	10227 79	7	20.27	1684	49	+28 W	2	20	2	40
10188 79	7	9.21	1684	15	+13 E	1	20	1	20	10228 79	7	20.27	1684	49	+68 W	7	70	2	270
10189 79	7	9.21	1684	15	-46 E	2	50	1	60	10229 79	7	21.20	1684	217	+59 E	2	20	2	30
10190 79	7	9.21	1684	15	-51 E	1	60	1	60	10230 79	7	21.20	1684	217	+33 E	1	40	2	40

TABLE 1 CONTINUED

TABLE 1 CONTINUED

10231 79	7	21.20	1684	217	+16 E	2	10	2	20	10271 79	7	31.21	1685	265	+29 W	2	10	2	20
10232 79	7	21.20	1684	217	-2 E	1	20	1	10	10272 79	7	31.21	1685	265	+47 W	10	30	1	130
10233 79	7	21.20	1684	217	-23 E	2	10	2	20	10273 79	8	1.18	1685	72	+69 E	9	40	2	100
10234 79	7	21.20	1684	217	-38 E	1	10	2	10	10274 79	8	1.18	1685	72	+30 E	1	20	1	30
10235 79	7	21.20	1684	217	-54 E	12	90	2	530	10275 79	8	1.18	1685	72	-4 E	1	50	1	40
10236 79	7	21.20	1684	37	-48 W	1	60	1	40	10276 79	8	1.18	1685	72	-15 E	8	40	2	130
10237 79	7	21.20	1684	37	-40 W	1	60	1	110	10277 79	8	1.18	1685	72	-61 E	2	40	2	50
10238 79	7	21.20	1684	37	+31 W	4	20	2	50	10278 79	8	1.18	1685	252	-45 W	9	40	2	220
10239 79	7	21.20	1684	37	+68 W	12	50	2	360	10279 79	8	1.18	1685	252	-38 W	2	30	2	40
10240 79	7	23.20	1684	191	+64 E	4	40	2	80	10280 79	8	1.18	1685	252	+2 W	1	40	1	40
10241 79	7	23.20	1684	191	+45 E	3	30	2	60	10281 79	8	1.18	1685	252	+18 W	10	40	2	220
10242 79	7	23.20	1684	191	-5 E	20	70	2	920	10282 79	8	1.18	1685	252	+33 W	2	10	2	20
10243 79	7	23.20	1684	191	+42 E	6	130	2	260	10283 79	8	8.25	1685	339	+68 E	1	20	1	20
10244 79	7	23.20	1684	11	-50 W	1	50	2	60	10284 79	8	8.25	1685	339	+43 E	5	20	2	40
10245 79	7	23.20	1684	11	-31 W	4	50	2	90	10285 79	8	8.25	1685	339	+25 E	11	50	1	80
10246 79	7	23.20	1684	11	+28 W	4	20	2	60	10286 79	8	8.25	1685	339	-33 E	2	20	2	30
10247 79	7	23.20	1684	11	+74 W	11	50	2	210	10287 79	8	8.25	1685	339	-58 E	1	20	2	20
10248 79	7	29.20	1684	112	+84 E	1	30	2	30	10288 79	8	8.25	1685	159	+5 W	4	50	2	70
10249 79	7	29.20	1684	112	+73 E	13	50	2	380	10289 79	8	8.25	1685	159	+59 W	1	20	2	10
10250 79	7	29.20	1684	112	+19 E	11	30	2	210	10290 79	8	15.61	1685	242	+21 E	13	70	2	440
10251 79	7	29.20	1684	112	-1 E	2	20	2	40	10291 79	8	15.61	1685	242	-40 E	3	50	1	60
10252 79	7	29.20	1684	112	-9 E	5	40	2	130	10292 79	8	15.61	1685	62	-27 W	2	10	1	20
10253 79	7	29.20	1684	112	-27 E	2	20	2	40	10293 79	8	15.61	1685	62	-17 W	7	20	1	40
10254 79	7	29.20	1684	112	-59 E	3	10	2	40	10294 79	8	15.61	1685	62	-3 W	6	40	1	40
10255 79	7	29.20	1684	292	-29 W	6	30	2	90	10295 79	8	15.61	1685	62	+35 W	2	20	2	30
10256 79	7	29.20	1684	292	-21 W	2	60	2	40	10296 79	8	15.61	1685	242	+34 E	2	10	1	20
10257 79	7	29.20	1684	292	-11 W	2	30	2	30	10297 79	8	15.61	1685	242	+21 E	12	60	3	280
10258 79	7	29.20	1684	292	+10 W	11	120	2	310	10298 79	8	15.61	1685	242	-41 E	3	50	2	90
10259 79	7	29.20	1684	292	+31 W	4	20	2	50	10299 79	8	15.61	1685	62	-60 W	1	10	1	10
10260 79	7	29.20	1684	292	+37 W	2	30	2	70	10300 79	8	15.61	1685	62	-25 W	5	20	1	50
10261 79	7	29.20	1684	292	+60 W	8	40	2	150	10301 79	8	15.61	1685	62	-15 W	9	10	1	30
10262 79	7	30.26	1684	98	+70 E	10	50	2	370	10302 79	8	15.61	1685	62	-2 W	6	30	2	20
10263 79	7	30.26	1684	98	+25 E	4	20	2	50	10303 79	8	15.61	1685	62	+35 W	3	20	1	20
10264 79	7	30.26	1684	98	-62 E	3	30	2	50	10304 79	8	17.21	1685	221	+32 E	2	20	2	30
10265 79	7	30.26	1684	98	+13 E	2	40	2	60	10305 79	8	17.21	1685	221	+16 E	4	30	2	60
10266 79	7	31.21	1685	85	+69 E	11	50	2	300	10306 79	8	17.21	1685	221	-47 E	4	50	3	80
10267 79	7	31.21	1685	85	+30 E	1	40	2	70	10307 79	8	17.21	1685	41	-43 W	11	50	3	240
10268 79	7	31.21	1685	85	-21 E	3	20	2	50	10308 79	8	17.21	1685	41	-31 W	4	30	2	50
10269 79	7	31.21	1685	265	-37 W	8	50	2	130	10309 79	8	17.21	1685	41	+4 W	1	10	1	10
10270 79	7	31.21	1685	265	+16 W	1	30	1	20	10310 79	8	17.21	1685	41	+10 W	3	40	2	80

TABLE 1 CONTINUED

TABLE 1 CONTINUED

10311 79	8	17.21	1685	41	+17 W	6	20	1	40	10351 79	8	30.25	1686	48	-33 E	5	40	1	40
10312 79	8	17.21	1685	41	+66 W	8	40	3	170	10352 79	8	30.25	1686	48	-65 E	4	70	3	130
10313 79	8	19.24	1685	194	+59 E	3	20	2	40	10353 79	8	30.25	1686	228	+41 W	1	40	2	40
10314 79	8	19.24	1685	194	+5 E	8	90	3	130	10354 79	8	30.25	1686	228	+61 W	16	50	2	100
10315 79	8	19.24	1685	194	-28 E	12	50	3	180	10355 79	8	31.28	1686	35	+70 E	17	70	3	540
10316 79	8	19.24	1685	194	-50 E	1	40	3	30	10356 79	8	31.28	1686	35	+19 E	3	30	2	70
10317 79	8	19.24	1685	14	-38 W	9	70	3	260	10357 79	8	31.28	1686	35	+6 E	5	80	2	130
10318 79	8	19.24	1685	14	+9 W	21	120	3	640	10358 79	8	31.28	1686	35	-38 E	2	50	2	30
10319 79	8	19.24	1685	14	+68 W	5	70	3	150	10359 79	8	31.28	1686	35	-68 E	7	70	3	160
10320 79	8	22.25	1685	154	+54 E	6	10	1	40	10360 79	8	31.28	1686	215	-81 W	1	40	2	30
10321 79	8	22.25	1685	154	+43 E	8	40	2	160	10361 79	8	31.28	1686	215	-4 W	10	20	2	70
10322 79	8	22.25	1685	154	+20 E	2	40	2	70	10362 79	8	31.28	1686	215	+29 W	2	30	2	40
10323 79	8	22.25	1685	154	-17 E	7	20	2	70	10363 79	9	1.27	1686	22	+77 E	8	70	2	290
10324 79	8	22.25	1685	154	-26 E	4	20	2	50	10364 79	9	1.27	1686	22	+66 E	2	20	2	30
10325 79	8	22.25	1685	154	-59 E	2	20	1	40	10365 79	9	1.27	1686	22	+18 E	12	90	2	130
10326 79	8	22.25	1685	334	-50 W	6	50	2	100	10366 79	9	1.27	1686	22	-22 F	3	20	2	30
10327 79	8	22.25	1685	334	-21 W	2	30	2	40	10367 79	9	1.27	1686	22	-67 E	2	50	2	50
10328 79	8	22.25	1685	334	+8 W	9	30	2	80	10368 79	9	1.27	1686	202	-19 W	10	20	2	40
10329 79	8	22.25	1685	334	+21 W	2	20	1	20	10369 79	9	1.27	1686	202	+7 W	1	20	2	20
10330 79	8	22.25	1685	334	+36 W	11	40	2	100	10370 79	9	2.29	1686	8	+71 E	14	70	2	270
10331 79	8	22.25	1685	334	+69 W	9	60	3	290	10371 79	9	2.29	1686	8	-1 E	7	60	2	220
10332 79	8	23.23	1685	141	+48 E	12	60	3	320	10372 79	9	2.29	1686	8	-43 E	6	50	1	100
10333 79	8	23.23	1685	141	+25 E	15	40	3	390	10373 79	9	2.29	1686	8	-66 E	7	40	2	90
10334 79	8	23.23	1685	141	-10 E	9	50	3	140	10374 79	9	2.29	1686	128	-35 W	4	10	2	40
10335 79	8	23.23	1685	141	-57 E	2	40	2	50	10375 79	9	2.29	1686	188	-24 W	4	20	2	40
10336 79	8	23.23	1685	321	-6 W	2	10	2	20	10376 79	9	2.29	1686	188	+4 W	2	10	2	20
10337 79	8	23.23	1685	321	+36 W	10	30	2	160	10377 79	9	2.29	1686	188	+32 W	4	50	1	60
10338 79	8	23.23	1685	321	+46 W	2	80	3	80	10378 79	9	3.25	1686	356	+69 E	12	90	2	410
10339 79	8	23.23	1685	321	+70 W	11	120	3	450	10379 79	9	3.25	1686	356	+9 E	3	20	2	30
10340 79	8	26.25	1685	101	+42 E	10	40	2	130	10380 79	9	3.25	1686	356	-2 E	2	30	2	50
10341 79	8	26.25	1685	101	+17 E	7	30	2	70	10381 79	9	3.25	1686	356	-45 E	7	80	2	190
10342 79	8	26.25	1685	101	-3 E	7	40	2	80	10382 79	9	3.25	1686	356	-65 E	1	20	2	20
10343 79	8	26.25	1685	101	-30 E	3	20	1	50	10383 79	9	3.25	1686	176	+4 W	1	10	2	10
10344 79	8	26.25	1685	101	-64 E	1	40	1	30	10384 79	9	3.25	1686	176	+28 W	5	30	2	70
10345 79	8	26.25	1685	281	+64 W	1	110	3	80	10385 79	9	3.25	1686	176	+53 W	3	20	2	30
10346 79	8	26.25	1685	281	+74 W	35	60	3	580	10386 79	9	6.28	1686	316	+69 E	9	110	2	250
10347 79	8	30.25	1686	48	+80 E	10	50	3	230	10387 79	9	6.28	1686	316	+33 E	5	20	2	70
10348 79	8	30.25	1686	48	+69 E	7	40	1	40	10388 79	9	6.28	1686	316	-21 E	1	10	2	10
10349 79	8	30.25	1686	48	+57 E	1	10	1	10	10389 79	9	6.28	1686	316	-53 E	7	80	2	270
10350 79	8	30.25	1686	48	+15 E	4	50	2	70	10390 79	9	6.28	1686	316	-63 E	5	40	2	120

TABLE 1 CONTINUED

TABLE 1 CONTINUED

10391 79 9	6.28	1686	136	-58 W	6	20	2	70	10431 79 9	11.24	1686	70	-21 W	29	50	2	420
10392 79 9	6.28	1686	136	-23 W	14	100	2	220	10432 79 9	11.24	1686	70	+28 W	9	20	2	60
10393 79 9	6.28	1686	136	+10 W	9	30	2	120	10433 79 9	11.24	1686	70	+63 W	2	20	2	20
10394 79 9	6.28	1686	136	+28 W	3	70	3	120	10434 79 9	13.31	1686	223	+27 E	1	50	2	50
10395 79 9	6.28	1686	136	+43 W	4	40	3	90	10435 79 9	13.31	1686	223	-23 E	6	20	2	100
10396 79 9	6.28	1686	136	+60 W	2	50	2	80	10436 79 9	13.31	1686	223	-41 E	2	40	2	50
10397 79 9	7.27	1686	303	+68 E	5	110	2	220	10437 79 9	13.31	1686	43	-61 W	3	10	1	30
10398 79 9	7.27	1686	303	+49 E	6	20	2	70	10438 79 9	13.31	1686	43	-32 W	3	50	2	60
10399 79 9	7.27	1686	303	+34 E	9	50	2	250	10439 79 9	13.31	1686	43	+46 W	2	10	2	20
10400 79 9	7.27	1686	303	+15 E	6	30	1	60	10440 79 9	13.31	1686	43	+63 W	4	20	2	50
10401 79 9	7.27	1686	303	-11 E	2	20	2	30	10441 79 9	19.53	1686	139	+59 E	3	10	2	30
10402 79 9	7.27	1686	303	-58 E	17	70	2	240	10442 79 9	19.53	1686	139	+42 E	4	10	2	40
10403 79 9	7.27	1686	123	-58 W	4	20	2	60	10443 79 9	19.53	1686	139	-13 E	4	30	1	60
10404 79 9	7.27	1686	123	-25 W	13	80	1	170	10444 79 9	19.53	1686	139	-23 E	2	40	1	70
10405 79 9	7.27	1686	123	+15 W	6	20	2	60	10445 79 9	19.53	1686	139	-49 E	1	60	1	40
10406 79 9	7.27	1686	123	+33 W	1	50	2	30	10446 79 9	19.53	1686	319	-68 W	4	20	2	50
10407 79 9	7.27	1686	123	+47 W	3	50	2	60	10447 79 9	19.53	1686	319	-51 W	3	10	2	30
10408 79 9	7.27	1686	123	+58 W	6	20	2	80	10448 79 9	19.53	1686	319	-5 W	2	20	2	30
10409 79 9	8.27	1686	289	+68 E	6	90	2	220	10449 79 9	19.53	1686	319	+11 W	1	20	1	20
10410 79 9	8.27	1686	289	+47 E	8	40	2	80	10450 79 9	19.53	1686	319	+15 W	2	60	2	80
10411 79 9	8.27	1686	289	+38 E	8	50	2	150	10451 79 9	19.53	1686	319	+31 W	6	20	2	60
10412 79 9	8.27	1686	289	+15 E	5	20	1	70	10452 79 9	19.53	1686	319	+53 W	4	60	2	80
10413 79 9	8.27	1686	289	-16 E	3	20	2	40	10453 79 9	20.25	1686	131	+43 E	5	20	2	70
10414 79 9	8.27	1686	289	-54 E	2	40	1	60	10454 79 9	20.25	1686	131	-23 E	5	70	2	110
10415 79 9	8.27	1686	289	-65 E	3	20	2	50	10455 79 9	20.25	1686	131	-52 E	1	30	2	30
10416 79 9	8.27	1686	109	-57 W	2	10	2	20	10456 79 9	20.25	1686	311	-65 W	2	30	2	40
10417 79 9	8.27	1686	109	-23 W	5	50	2	90	10457 79 9	20.25	1686	311	-52 W	5	20	2	70
10418 79 9	8.27	1686	109	+4 W	1	20	1	20	10458 79 9	20.25	1686	311	-32 W	2	20	1	30
10419 79 9	8.27	1686	109	+13 W	1	40	1	50	10459 79 9	20.25	1686	311	+28 W	16	60	2	380
10420 79 9	8.27	1686	109	+48 W	2	40	2	50	10460 79 9	20.25	1686	311	+56 W	3	50	2	90
10421 79 9	9.24	1686	277	+70 F	5	60	1	20	10461 79 9	20.25	1686	311	+66 W	5	20	2	60
10422 79 9	9.24	1686	97	-33 W	2	10	2	20	10462 79 9	22.26	1686	105	+62 E	2	20	2	30
10423 79 9	9.24	1686	97	-2 W	1	30	1	30	10463 79 9	22.26	1686	105	+36 E	1	10	1	20
10424 79 9	9.24	1686	97	+6 W	3	10	1	30	10464 79 9	22.26	1686	105	+15 E	2	40	1	40
10425 79 9	9.24	1686	97	+30 W	4	0	1	40	10465 79 9	22.26	1686	285	-61 W	4	40	2	70
10426 79 9	9.24	1686	97	+51 W	3	10	2	30	10466 79 9	22.26	1686	285	+36 W	5	40	2	180
10427 79 9	11.24	1686	250	+73 E	10	70	1	330	10467 79 9	22.26	1686	285	+48 W	3	30	2	50
10428 79 9	11.24	1686	250	+68 E	1	50	1	40	10468 79 9	22.26	1686	285	+65 W	3	40	2	80
10429 79 9	11.24	1686	250	+29 E	6	40	2	140	10469 79 9	25.23	1687	66	+63 F	8	10	1	70
10430 79 9	11.24	1686	250	-22 E	11	10	2	90	10470 79 9	25.23	1687	66	+41 E	2	10	1	20

TABLE 1 CONTINUED

TABLE 1 CONTINUED

10471 79	9	25.23	1687	66	+27 E	6	20	2	80	10511 79	9	30.19	1687	180	+21 W	3	20	2	40
10472 79	9	25.23	1687	66	+15 E	1	10	2	10	10512 79	9	30.19	1687	180	+32 W	2	20	2	30
10473 79	9	25.23	1687	66	- 2 E	3	50	2	60	10513 79	9	30.19	1687	180	+38 W	2	10	2	20
10474 79	9	25.23	1687	66	-17 E	13	60	2	270	10514 79	9	30.19	1687	180	+53 W	3	20	1	50
10475 79	9	25.23	1687	66	-63 E	1	20	2	30	10515 79	9	30.19	1687	180	+60 W	1	40	2	40
10476 79	9	25.23	1687	246	-48 W	1	50	1	60	10516 79	9	30.19	1687	180	+65 W	1	30	2	30
10477 79	9	25.23	1687	246	+43 W	5	50	2	180	10517 79	9	30.19	1687	180	+77 W	6	20	2	80
10478 79	9	25.23	1687	246	+70 W	5	30	2	100	10518 79	10	1.40	1687	344	+69 E	2	10	2	20
10479 79	9	26.24	1687	52	+64 E	10	20	2	90	10519 79	10	1.40	1687	344	+65 E	1	10	2	10
10480 79	9	26.24	1687	52	+18 E	1	10	2	10	10520 79	10	1.40	1687	344	+27 E	6	40	2	140
10481 79	9	26.24	1687	52	+11 E	3	20	2	50	10521 79	10	1.40	1687	344	+ 6 E		90	2	50
10482 79	9	26.24	1687	52	-20 E	4	40	2	130	10522 79	10	1.40	1687	344	-23 E	5	20	2	60
10483 79	9	26.24	1687	52	-64 E	1	30	1	30	10523 79	10	1.40	1687	344	-46 E	4	20	2	60
10484 79	9	26.24	1687	232	+29 W	5	50	2	80	10524 79	10	1.40	1687	164	-58 W	15	60	2	230
10485 79	9	26.24	1687	232	+71 W	5	30	2	80	10525 79	10	1.40	1687	164	-47 W	1	30	2	30
10486 79	9	27.22	1687	39	+64 E	6	30	3	90	10526 79	10	1.40	1687	164	-28 W	4	20	2	60
10487 79	9	27.22	1687	39	+49 E	9	30	2	150	10527 79	10	1.40	1687	164	-18 W	1	20	2	20
10488 79	9	27.22	1687	39	+23 F	3	30	2	40	10528 79	10	1.40	1687	164	-10 W		60	2	30
10489 79	9	27.22	1687	39	+ 5 E	2	90	2	190	10529 79	10	1.40	1687	164	+30 W	4	20	2	60
10490 79	9	27.22	1687	39	-28 E	2	20	2	40	10530 79	10	1.40	1687	164	+37 W	1	20	2	20
10491 79	9	27.22	1687	39	-32 E	2	30	2	40	10531 79	10	1.40	1687	164	+42 W	2	10	1	20
10492 79	9	27.22	1687	219	-23 W	3	20	3	40	10532 79	10	1.40	1687	164	+55 W	2	80	1	90
10493 79	9	27.22	1687	219	+ 1 W	3	60	2	50	10533 79	10	1.40	1687	164	+69 W	4	20	2	80
10494 79	9	27.22	1687	219	+31 W	4	40	2	90	10534 79	10	3.46	1687	317	+66 E	2	10	1	20
10495 79	9	27.22	1687	219	+45 W	1	10	2	20	10535 79	10	3.46	1687	317	+27 E	10	30	2	190
10496 79	9	27.22	1687	219	+63 W	1	10	2	15	10536 79	10	3.46	1687	317	- 8 E	1	30	1	30
10497 79	9	27.22	1687	219	+70 W	5	50	2	150	10537 79	10	3.46	1687	317	-21 E	1	20	1	20
10498 79	9	30.19	1687	0	+69 E	2	10	2	20	10538 79	10	3.46	1687	317	-25 E	1	10	1	10
10499 79	9	30.19	1687	0	+62 E	2	10	2	20	10539 79	10	3.46	1687	317	-62 E	4	40	2	70
10500 79	9	30.19	1687	0	+60 E	1	10	2	10	10540 79	10	3.46	1687	137	-58 W	6	100	2	260
10501 79	9	30.19	1687	0	+40 E	11	100	2	480	10541 79	10	3.46	1687	137	+ 8 W	15	100	1	100
10502 79	9	30.19	1687	0	+28 E	4	20	2	70	10542 79	10	3.46	1687	137	+37 W	8	70	2	190
10503 79	9	30.19	1687	0	+20 E	2	10	2	20	10543 79	10	4.27	1687	306	+39 E	2	20	1	20
10504 79	9	30.19	1687	0	+17 E	1	60	2	60	10544 79	10	4.27	1687	306	+30 E	4	90	1	90
10505 79	9	30.19	1687	0	- 2 E	2	30	2	30	10545 79	10	4.27	1687	306	- 6 E	2	10	2	20
10506 79	9	30.19	1687	0	-15 E	1	20	2	30	10546 79	10	4.27	1687	306	-65 E	4	50	2	100
10507 79	9	30.19	1687	0	-40 E	3	10	2	30	10547 79	10	4.27	1687	126	-58 W	4	110	2	180
10508 79	9	30.19	1687	0	-62 E	6	10	2	70	10548 79	10	4.27	1687	126	-35 W	1	50	2	50
10509 79	9	30.19	1687	180	-33 W	25	70	2	270	10549 79	10	4.27	1687	126	-12 W	3	10	2	30
10510 79	9	30.19	1687	180	- 8 W		70	1	30	10550 79	10	4.27	1687	126	+ 1 W	2	70	1	50

TABLE 1 CONTINUED

TABLE 1 CONTINUED

10551	79	10	4.27	1687	126	+27 W	2	10	2	20	10591	79	10	27.29	1688	2	+1 E	9	10	2	50
10552	79	10	4.27	1687	126	+41 W	3	30	2	70	10592	79	10	27.29	1688	2	-38 E	8	70	3	150
10553	79	10	4.27	1687	126	+51 W	1	30	2	20	10593	79	10	27.29	1688	182	-62 W	11	40	3	80
10554	79	10	6.30	1687	279	+34 E	14	60	2	230	10594	79	10	27.29	1688	182	+26 W	3	60	2	60
10555	79	10	6.30	1687	279	-1 E	3	20	1	30	10595	79	10	27.29	1688	182	+38 W	4	30	2	50
10556	79	10	6.30	1687	279	-30 E	6	20	2	80	10596	79	10	27.29	1688	182	+48 W	3	20	2	20
10557	79	10	6.30	1687	279	-53 E	3	40	2	70	10597	79	10	27.29	1688	182	+69 W	7	30	2	110
10558	79	10	6.30	1687	279	-67 E	6	50	2	160	10598	79	10	28.27	1688	349	+63 E	5	60	3	110
10559	79	10	6.30	1687	99	-56 W	5	60	2	120	10599	79	10	28.27	1688	349	+34 E	1	20	1	20
10560	79	10	6.30	1687	99	-24 W	1	10	2	10	10600	79	10	28.27	1688	349	+18 E	1	20	1	20
10561	79	10	6.30	1687	99	-10 W	1	30	2	30	10601	79	10	28.27	1688	349	+13 E	1	10	1	10
10562	79	10	6.30	1687	99	-2 W	1	10	2	10	10602	79	10	28.27	1688	349	-1 E	2	30	1	30
10563	79	10	6.30	1687	99	+5 W	1	10	2	10	10603	79	10	28.27	1688	349	-44 E	2	50	2	60
10564	79	10	6.30	1687	99	+29 W	6	20	2	60	10604	79	10	28.27	1688	349	-62 E	4	20	2	60
10565	79	10	24.38	1688	41	+60 E	2	70	3	50	10605	79	10	28.27	1688	169	-32 W	11	60	3	140
10566	79	10	24.38	1688	41	+31 E	3	50	3	120	10606	79	10	28.27	1688	169	-1 W	5	20	2	70
10567	79	10	24.38	1688	221	-59 W	15	60	3	70	10607	79	10	28.27	1688	169	+26 W	1	20	1	10
10568	79	10	24.38	1688	221	-11 W	8	30	2	100	10608	79	10	28.27	1688	169	+41 W	1	30	2	30
10569	79	10	24.38	1688	221	+14 W	6	10	2	60	10609	79	10	28.27	1688	169	+51 W	1	50	2	40
10570	79	10	24.38	1688	221	+30 W	5	20	2	50	10610	79	10	28.27	1688	169	+68 W	8	20	2	110
10571	79	10	24.38	1688	221	+66 W	2	10	2	20	10611	79	11	12.34	1688	151	+72 E	6	40	2	150
10572	79	10	25.29	1688	29	+61 E	8	120	3	150	10612	79	11	12.34	1688	151	+47 E	3	10	2	30
10573	79	10	25.29	1688	29	+29 E	3	80	3	190	10613	79	11	12.34	1688	151	+40 E	5	100	2	120
10574	79	10	25.29	1688	29	-41 E	1	20	1	10	10614	79	11	12.34	1688	151	+12 E	1	20	1	20
10575	79	10	25.29	1688	209	-58 W	16	40	2	170	10615	79	11	12.34	1688	151	-35 E	1	10	1	10
10576	79	10	25.29	1688	209	-39 W	2	20	1	30	10616	79	11	12.34	1688	151	-41 E	1	50	2	30
10577	79	10	25.29	1688	209	-12 W	8	20	2	90	10617	79	11	12.34	1688	331	-38 W	5	20	2	60
10578	79	10	25.29	1688	209	+6 W	4	50	2	70	10618	79	11	12.34	1688	331	-21 W	4	10	2	40
10579	79	10	25.29	1688	209	+33 W	9	30	2	190	10619	79	11	12.34	1688	331	+31 W	3	10	2	30
10580	79	10	25.29	1688	209	+69 W	2	20	1	30	10620	79	11	12.34	1688	331	+62 W	4	20	2	50
10581	79	10	26.38	1688	14	+88 E	5	40	2	120	10621	79	11	13.35	1688	137	+71 E	5	50	2	90
10582	79	10	26.38	1688	14	+58 E	7	110	3	250	10622	79	11	13.35	1688	137	+44 E	1	20	1	20
10583	79	10	26.38	1688	14	+29 E	16	30	2	120	10623	79	11	13.35	1688	137	+39 E	1	20	1	20
10584	79	10	26.38	1688	14	-38 E	1	40	2	20	10624	79	11	13.35	1688	137	-40 E	1	50	1	50
10585	79	10	26.38	1688	194	-63 W	14	30	2	60	10625	79	11	13.35	1688	317	-85 W	1	20	2	20
10586	79	10	26.38	1688	194	+22 W	6	40	2	100	10626	79	11	13.35	1688	317	-62 W	3	20	2	40
10587	79	10	26.38	1688	194	+60 W	15	40	2	160	10627	79	11	13.35	1688	317	-46 W	2	20	2	20
10588	79	10	26.38	1688	194	+87 W	5	20	2	50	10628	79	11	13.35	1688	317	-25 W	1	20	1	20
10589	79	10	27.29	1688	2	+62 E	4	50	2	100	10629	79	11	13.35	1688	317	-13 W	4	10	2	40
10590	79	10	27.29	1688	2	+26 E	1	10	2	10	10630	79	11	13.35	1688	317	-4 W	8	90	1	140

TABLE 1 CONTINUED

TABLE 1 CONTINUED

10631	79 11	13.35	1688	317	+ 8 W	110	1	30	10671	79 11	26.30	1689	146	+68 W	2	20	2	30
10632	79 11	13.35	1688	317	+63 W	2	20	40	10672	79 11	28.46	1689	298	+64 E	3	20	1	40
10633	79 11	22.31	1689	19	+61 E	5	30	2	10673	79 11	28.46	1689	298	+41 E	5	30	1	80
10634	79 11	22.31	1689	19	+27 E	2	20	1	10674	79 11	28.46	1689	298	+ 1 E	4	30	1	50
10635	79 11	22.31	1689	19	-17 E	3	60	3	10675	79 12	2.56	1689	244	+71 E	3	40	2	70
10636	79 11	22.31	1689	199	-46 W	14	30	2	10676	79 12	2.56	1689	244	+22 E	3	30	2	60
10637	79 11	22.31	1689	199	- 6 W	2	40	2	10677	79 12	2.56	1689	244	-33 E	1	100	2	150
10638	79 11	22.31	1689	199	+ 9 W	2	10	1	10678	79 12	2.56	1689	244	-55 E	11	120	2	220
10639	79 11	22.31	1689	199	+23 W	1	10	1	10679	79 12	2.56	1689	64	-71 W	7	20	2	110
10640	79 11	22.31	1689	199	+34 W	7	10	1	10680	79 12	2.56	1689	64	+37 W	2	50	1	80
10641	79 11	22.31	1689	199	+79 W	7	20	2	10681	79 12	13.34	1689	101	+32 E	6	20	2	80
10642	79 11	23.32	1689	6	+62 E	5	30	2	10682	79 12	13.34	1689	101	-23 E	2	60	2	80
10643	79 11	23.32	1689	6	+32 E	11	10	2	10683	79 12	13.34	1689	281	-48 W	12	30	2	230
10644	79 11	23.32	1689	6	+ 2 E	1	10	1	10684	79 12	13.34	1689	281	-12 W	15	50	2	430
10645	79 11	23.32	1689	6	-16 E	1	20	1	10685	79 12	13.34	1689	281	+14 W	9	20	2	120
10646	79 11	23.32	1689	186	-62 W	4	20	2	10686	79 12	15.36	1690	75	+85 E	2	30	2	50
10647	79 11	23.32	1689	186	-52 W	3	20	2	10687	79 12	15.36	1690	75	+ 3 E	3	10	2	30
10648	79 11	23.32	1689	186	-38 W	14	40	3	10688	79 12	15.36	1690	75	- 8 E	3	10	2	30
10649	79 11	23.32	1689	186	+13 W	3	30	2	10689	79 12	15.36	1690	75	-30 E	2	40	2	50
10650	79 11	23.32	1689	186	+25 W	2	10	1	10690	79 12	15.36	1690	75	-53 E	4	30	2	70
10651	79 11	23.32	1689	186	+35 W	6	20	2	10691	79 12	15.36	1690	255	-57 W	9	60	2	320
10652	79 11	24.30	1689	353	+61 E	8	30	2	10692	79 12	15.36	1690	255	-36 W	8	50	2	130
10653	79 11	24.30	1689	353	+30 E	11	40	3	10693	79 12	15.36	1690	255	- 5 W	7	60	2	230
10654	79 11	24.30	1689	353	-61 E	4	20	2	10694	79 12	15.36	1690	255	+52 W	4	60	2	100
10655	79 11	24.30	1689	173	-61 W	3	30	2	10695	79 12	15.35	1690	75	+12 E	2	10	1	10
10656	79 11	24.30	1689	173	-51 W	4	30	2	10696	79 12	15.35	1690	75	-23 E	2	20	1	20
10657	79 11	24.30	1689	173	-41 W	5	30	2	10697	79 12	15.35	1690	75	-42 E	8	10	1	20
10658	79 11	24.30	1689	173	+12 W	4	40	2	10698	79 12	15.35	1690	255	-63 W	10	60	3	340
10659	79 11	24.30	1689	173	+37 W	10	10	2	10699	79 12	15.35	1690	255	-44 W	6	60	3	100
10660	79 11	24.30	1689	173	+82 W	1	20	2	10700	79 12	15.35	1690	255	-34 W	2	20	2	40
10661	79 11	26.30	1689	326	+62 E	7	20	2	10701	79 12	15.35	1690	255	-18 W	12	60	3	390
10662	79 11	26.30	1689	326	+32 E	16	60	3	10702	79 12	15.35	1690	255	+46 W	3	60	3	80
10663	79 11	26.30	1689	326	+13 E	3	70	3	10703	79 12	15.35	1690	255	+85 W	2	20	2	20
10664	79 11	26.30	1689	326	+ 1 E	3	10	2	10704	79 12	16.48	1690	60	+74 E	1	20	1	20
10665	79 11	26.30	1689	326	-13 E	5	10	2	10705	79 12	16.48	1690	60	+44 E	3	20	1	20
10666	79 11	26.30	1689	326	-35 E	4	10	1	10706	79 12	16.48	1690	60	+14 E	8	20	2	30
10667	79 11	26.30	1689	146	-65 W	3	20	2	10707	79 12	16.48	1690	60	-35 F	8	40	3	200
10668	79 11	26.30	1689	146	-42 W	6	30	2	10708	79 12	16.48	1690	240	-66 W	10	50	3	280
10669	79 11	26.30	1689	146	+ 6 W	2	20	2	10709	79 12	16.48	1690	240	-39 W	1	10	1	10
10670	79 11	26.30	1689	146	+31 W	8	50	3	10710	79 12	16.48	1690	240	-19 W	2	80	3	160

TABLE 1 CONTINUED

TABLE 1 CONTINUED

10711 79 12	16.48	1690	240	+44 W	5	43	2	100	10751 80 1	9.35	1690	284	+68 W	6	50	3	120
10712 79 12	16.48	1690	240	+85 W	5	40	2	80	10752 80 1	12.39	1691	65	+35 E	3	30	1	30
10713 79 12	17.32	1690	49	+66 E	4	20	2	70	10753 80 1	12.30	1691	65	+11 E	6	40	2	70
10714 79 12	17.32	1690	49	+50 E	13	40	2	260	10754 80 1	12.39	1691	65	-1 E	7	40	1	40
10715 79 12	17.32	1690	49	+12 E	2	20	2	30	10755 80 1	12.35	1691	65	-11 E	6	50	3	180
10716 79 12	17.32	1690	49	-32 E	3	70	3	160	10756 80 1	12.39	1691	65	-33 E	5	35	1	60
10717 79 12	17.32	1690	229	-69 W	9	70	3	240	10757 80 1	12.30	1691	65	-50 F	9	80	1	100
10718 79 12	17.32	1690	229	-19 W	8	50	3	170	10758 80 1	12.30	1691	65	-66 E	5	30	1	90
10719 79 12	17.32	1690	229	+12 W	1	50	2	30	10759 80 1	12.30	1691	245	-61 W	3	40	3	60
10720 79 12	17.32	1690	229	+44 W	7	30	2	120	10760 80 1	12.30	1691	245	-32 W	8	60	2	150
10721 79 12	17.32	1690	229	+89 W	2	50	2	50	10761 80 1	12.39	1691	245	-11 W	3	40	1	20
10722 79 12	19.39	1690	22	+89 E	1	80	3	80	10762 80 1	12.39	1691	245	+15 W	6	70	2	100
10723 79 12	19.39	1690	22	+67 E	1	10	1	10	10763 80 1	12.30	1691	245	+39 W	15	120	2	480
10724 79 12	19.39	1690	22	+46 E	11	60	3	470	10764 80 1	12.39	1691	245	+64 W	5	30	2	80
10725 79 12	19.39	1690	22	+18 E	4	20	2	80	10765 80 1	13.36	1691	52	-5 E	18	40	1	30
10726 79 12	19.39	1690	22	-35 E	3	20	2	30	10766 80 1	13.36	1691	52	-40 F	19	50	2	150
10727 79 12	19.39	1690	202	-82 W	5	20	2	80	10767 80 1	13.36	1691	52	-67 E	2	30	1	20
10728 79 12	19.39	1690	202	-49 W	8	30	2	80	10768 80 1	13.36	1691	232	-62 W	4	50	3	120
10729 79 12	19.39	1690	202	-19 W	9	30	3	210	10769 80 1	13.36	1691	232	-34 W	6	50	2	110
10730 79 12	19.39	1690	202	+25 W	4	120	3	160	10770 80 1	13.36	1691	232	-14 W	20	100	2	310
10731 79 12	19.39	1690	202	+41 W	2	30	2	40	10771 80 1	13.36	1691	232	+8 W	2	40	2	50
10732 80 1	5.41	1690	157	+65 E	4	45	3	90	10772 80 1	13.36	1691	232	+40 W	9	120	2	250
10733 80 1	5.41	1690	157	+28 E	27	120	2	130	10773 80 1	13.36	1691	232	+63 W	3	40	2	50
10734 80 1	5.41	1690	157	-55 E	2	20	2	30	10774 80 1	14.35	1691	39	+18 E	6	30	2	80
10735 80 1	5.41	1690	157	-72 E	5	40	1	50	10775 80 1	14.35	1691	39	-1 E	7	40	1	90
10736 80 1	5.41	1690	337	-53 W	4	25	2	40	10776 80 1	14.35	1691	39	-20 E	2	30	2	40
10737 80 1	5.41	1690	337	-43 W	1	40	1	50	10777 80 1	14.35	1691	39	-45 E	15	60	2	180
10738 80 1	5.41	1690	337	+70 W	7	60	1	100	10778 80 1	14.35	1691	219	-63 W	4	50	2	80
10739 80 1	6.58	1690	141	+67 E	3	40	2	50	10779 80 1	14.35	1691	219	-35 W	9	40	2	140
10740 80 1	6.58	1690	141	-67 E	3	20	1	30	10780 80 1	14.35	1691	219	-14 W	14	70	2	280
10741 80 1	6.58	1690	321	+9 W	3	30	1	40	10781 80 1	14.35	1691	219	+5 W	7	60	2	250
10742 80 1	6.58	1690	321	+68 W	2	60	1	40	10782 80 1	14.35	1691	219	+42 W	5	110	2	150
10743 80 1	9.39	1690	104	+65 E	3	25	3	50	10783 80 1	14.35	1691	219	+64 W	6	35	2	50
10744 80 1	9.39	1690	104	+31 E	2	25	2	30	10784 80 1	17.35	1691	359	+69 E	2	10	2	20
10745 80 1	9.39	1690	104	-6 E	6	50	3	100	10785 80 1	17.35	1691	359	+33 E	3	20	3	50
10746 80 1	9.39	1690	104	-67 E	2	50	3	70	10786 80 1	17.35	1691	359	+15 E	4	10	1	20
10747 80 1	9.39	1690	284	-58 W	8	40	2	120	10787 80 1	17.35	1691	359	-57 E	3	40	2	80
10748 80 1	9.39	1690	234	-30 W	8	30	2	110	10788 80 1	17.35	1691	179	-61 W	1	30	1	20
10749 80 1	9.39	1690	284	+20 W	6	20	2	60	10789 80 1	17.35	1691	179	-41 W	15	50	3	360
10750 80 1	9.39	1690	234	+54 W	2	30	2	30	10790 80 1	17.35	1691	179	-16 W	14	60	3	230

TABLE 1 CONTINUED

TABLE 1 CONTINUED

10791 80	1	17.35	1691	179	+14 W	1	40	2	30	10831 80	1	21.35	1691	127	-54 W	1	10	1	10
10792 80	1	17.35	1691	179	+26 W	2	60	2	40	10832 80	1	21.35	1691	127	-34 W	12	30	3	60
10793 80	1	17.35	1691	179	+69 W	10	50	3	340	10833 80	1	21.35	1691	127	+65 W	2	20	2	30
10794 80	1	18.41	1691	345	+70 E	1	10	1	10	10834 80	2	14.39	1692	349	+85 E	12	40	2	130
10795 80	1	18.41	1691	345	+53 E	3	19	1	20	10835 80	2	14.39	1692	349	+29 E	2	10	1	20
10796 80	1	18.41	1691	345	+31 E	1	10	1	10	10836 80	2	14.39	1692	349	+1 E	6	50	2	120
10797 80	1	18.41	1691	345	-18 E	10	10	1	60	10837 80	2	14.39	1692	349	-14 E	5	50	2	140
10798 80	1	18.41	1691	345	-56 E	4	30	2	60	10838 80	2	14.39	1692	349	-49 E	4	40	2	60
10799 80	1	18.41	1691	165	-62 W	4	90	3	20	10839 80	2	14.39	1692	169	-65 W	2	20	2	30
10800 80	1	18.41	1691	165	-50 W	5	30	2	70	10840 80	2	14.39	1692	169	-22 W	5	140	3	420
10801 80	1	18.41	1691	165	-30 W	10	10	1	30	10841 80	2	14.39	1692	169	-18 W	4	50	2	50
10802 80	1	18.41	1691	165	-13 W	4	20	2	40	10842 80	2	14.39	1692	169	+16 W	2	50	2	50
10803 80	1	18.41	1691	165	+8 W	1	100	3	30	10843 80	2	14.39	1692	169	+25 W	5	20	2	50
10804 80	1	18.41	1691	165	+31 W	10	30	3	140	10844 80	2	14.39	1692	169	+43 W	1	10	1	10
10805 80	1	18.41	1691	165	+46 W	4	40	3	100	10845 80	2	14.39	1692	169	+68 W	1	10	1	10
10806 80	1	18.41	1691	165	+68 W	5	20	3	60	10846 80	2	16.33	1692	324	+76 E	1	20	1	10
10807 80	1	19.37	1691	333	+73 E	2	20	2	30	10847 80	2	16.33	1692	324	+6 E	5	30	2	90
10808 80	1	19.37	1691	333	+15 E	6	10	1	20	10848 80	2	16.33	1692	324	-17 E	1	40	2	20
10809 80	1	19.37	1691	333	-38 E	5	30	2	50	10849 80	2	16.33	1692	324	-30 E	1	30	2	10
10810 80	1	19.37	1691	153	-39 W	3	20	2	30	10850 80	2	16.33	1692	324	-39 E	4	30	2	60
10811 80	1	19.37	1691	153	-20 W	6	20	2	50	10851 80	2	16.33	1692	324	-57 E	4	30	2	50
10812 80	1	19.37	1691	153	+3 W	5	50	3	70	10852 80	2	16.33	1692	324	-83 E	1	20	2	20
10813 80	1	19.37	1691	153	+13 W	6	50	3	110	10853 80	2	16.33	1692	144	-65 W	2	20	2	20
10814 80	1	19.37	1691	153	+32 W	11	20	3	150	10854 80	2	16.33	1692	144	-48 W	5	30	2	30
10815 80	1	19.37	1691	153	+65 W	5	40	3	100	10855 80	2	16.33	1692	144	-15 W	6	50	3	100
10816 80	1	20.36	1691	320	+74 E	4	10	1	20	10856 80	2	16.33	1692	144	+13 W	4	30	2	20
10817 80	1	20.36	1691	320	-2 E	1	20	1	20	10857 80	2	16.33	1692	144	+28 W	3	30	3	70
10818 80	1	20.36	1691	320	-23 E	18	30	3	260	10858 80	2	16.33	1692	144	+76 W	29	40	3	590
10819 80	1	20.36	1691	320	-55 E	6	20	3	80	10859 80	2	18.32	1692	297	+29 E	4	20	2	80
10820 80	1	20.36	1691	140	-35 W	9	30	3	150	10860 80	2	18.32	1692	297	+2 E	8	70	2	70
10821 80	1	20.36	1691	140	+2 W	2	10	1	10	10861 80	2	18.32	1692	297	-21 E	1	10	1	10
10822 80	1	20.36	1691	140	+21 W	4	10	2	30	10862 80	2	18.32	1692	297	-41 E	1	10	1	10
10823 80	1	20.36	1691	140	+40 W	7	40	2	50	10863 80	2	18.32	1692	117	-76 W	1	10	1	10
10824 80	1	20.36	1691	140	+65 W	5	40	3	120	10864 80	2	18.32	1692	117	-66 W	5	30	2	100
10825 80	1	21.35	1691	307	+66 E	3	40	2	60	10865 80	2	18.32	1692	117	-54 W	3	20	2	40
10826 80	1	21.35	1691	307	+37 E	1	20	1	10	10866 80	2	18.32	1692	117	-41 W	1	30	2	10
10827 80	1	21.35	1691	307	+25 E	1	10	1	10	10867 80	2	18.32	1692	117	-19 W	8	50	3	130
10828 80	1	21.35	1691	307	-14 E	1	10	1	10	10868 80	2	18.32	1692	117	-5 W	1	30	2	30
10829 80	1	21.35	1691	307	-24 E	7	40	2	140	10869 80	2	18.32	1692	117	+4 W	1	50	2	60
10830 80	1	21.35	1691	307	-39 E	1	20	1	10	10870 80	2	18.32	1692	117	+14 W	7	30	2	110

TABLE 1 CONTINUED

10871 80	2	18.32	1692	117.	+38 W	7	20	2	30	10911 80	2	22.32	1692	65	-77 W	3	30	2	50
10872 80	2	18.32	1692	117.	+73 W	19	50	3	450	10912 80	2	22.32	1692	65	-3 W	2	20	2	30
10873 80	2	19.30	1692	284	+46 E	9	10	2	40	10913 80	2	22.32	1692	65	+24 W	10	30	3	210
10874 80	2	19.30	1692	284	+32 E	3	30	2	60	10914 80	2	22.32	1692	65	+72 W	10	60	3	280
10875 80	2	19.30	1692	284	+10 E	4	80	3	80	10915 80	2	23.33	1692	231	+37 E	5	40	2	130
10876 80	2	19.30	1692	284	-9 E	1	60	3	40	10916 80	2	23.33	1692	231	+19 E	5	50	2	160
10877 80	2	19.30	1692	284	-29 E	15	20	2	100	10917 80	2	23.33	1692	231	-11 E	4	30	2	70
10878 80	2	19.30	1692	284	-62 E	11	30	3	90	10918 80	2	23.33	1692	231	-60 E	9	50	3	210
10879 80	2	19.30	1692	104	-60 W	13	40	3	120	10919 80	2	23.33	1692	51	-81 W	1	30	1	20
10880 80	2	19.30	1692	104	-38 W	10	40	2	30	10920 80	2	23.33	1692	51	-66 W	6	30	2	40
10881 80	2	19.30	1692	104	-11 W	16	90	3	310	10921 80	2	23.33	1692	51	-47 W	1	10	1	10
10882 80	2	19.30	1692	104	+9 W		20	2	10	10922 80	2	23.33	1692	51	-34 W	2	20	1	30
10883 80	2	19.30	1692	104	+37 W	4	20	2	50	10923 80	2	23.33	1692	51	-10 W	2	10	1	10
10884 80	2	19.30	1692	104	+72 W	20	70	3	730	10924 80	2	23.33	1692	51	-1 W	2	10	1	20
10885 80	2	20.32	1692	271	+41 E	7	30	2	80	10925 80	2	23.33	1692	51	+17 W	3	60	2	60
10886 80	2	20.32	1692	271	+18 E	9	40	2	170	10926 80	2	23.33	1692	51	+75 W	8	70	3	260
10887 80	2	20.32	1692	271	-20 E	27	30	2	270	10927 80	2	24.32	1692	218	+75 E	2	20	2	30
10888 80	2	20.32	1692	271	-61 E	6	30	2	50	10928 80	2	24.32	1692	218	+40 E	8	50	3	130
10889 80	2	20.32	1692	91	-65 W	13	30	2	150	10929 80	2	24.32	1692	218	+29 E	1	20	1	10
10890 80	2	20.32	1692	91	-44 W	1	10	1	10	10930 80	2	24.32	1692	218	+22 E	1	30	1	10
10891 80	2	20.32	1692	91	-26 W		70	3	20	10931 80	2	24.32	1692	218	-19 E	14	80	3	210
10892 80	2	20.32	1692	91	-14 W	10	50	2	90	10932 80	2	24.32	1692	218	-64 E	7	50	3	200
10893 80	2	20.32	1692	91	+11 W	7	20	2	50	10933 80	2	24.32	1692	38	-77 W	6	20	2	50
10894 80	2	20.32	1692	91	+32 W	5	40	3	130	10934 80	2	24.32	1692	38	-40 W	2	30	2	40
10895 80	2	20.32	1692	91	+70 W	14	70	3	420	10935 80	2	24.32	1692	38	-15 W	2	40	2	40
10896 80	2	21.32	1692	258	+22 E	5	40	2	90	10936 80	2	24.32	1692	38	+5 W	7	30	2	40
10897 80	2	21.32	1692	258	-11 E	2	10	1	20	10937 80	2	24.32	1692	38	+22 W	1	10	1	10
10898 80	2	21.32	1692	258	-28 E	15	60	3	460	10938 80	2	24.32	1692	38	+35 W	7	20	2	50
10899 80	2	21.32	1692	258	-66 E	9	40	2	110	10939 80	2	24.32	1692	38	+72 W	7	60	3	240
10900 80	2	21.32	1692	78	-65 W	8	30	2	90	10940 80	2	25.31	1692	205	+42 E	5	50	2	110
10901 80	2	21.32	1692	78	-45 W	14	40	3	120	10941 80	2	25.31	1692	205	+18 E	9	110	3	170
10902 80	2	21.32	1692	78	-7 W	1	30	1	10	10942 80	2	25.31	1692	205	-12 E	12	30	2	90
10903 80	2	21.32	1692	78	+39 W	1	10	1	10	10943 80	2	25.31	1692	205	-24 E	1	10	1	10
10904 80	2	21.32	1692	78	+72 W	12	60	3	340	10944 80	2	25.31	1692	205	-63 E	6	60	3	150
10905 80	2	22.32	1692	245	+56 E	1	10	1	10	10945 80	2	25.31	1692	25	-87 W	2	20	2	40
10906 80	2	22.32	1692	245	+22 E	3	20	1	20	10946 80	2	25.31	1692	25	-49 W	10	40	2	70
10907 80	2	22.32	1692	245	+11 E	2	20	2	30	10947 80	2	25.31	1692	25	-30 W	1	20	1	10
10908 80	2	22.32	1692	245	-22 E	15	60	3	430	10948 80	2	25.31	1692	25	+1 W	26	190	3	480
10909 80	2	22.32	1692	245	-42 E	1	40	3	20	10949 80	2	25.31	1692	25	+71 W	6	30	2	90
10910 80	2	22.32	1692	245	-59 E	11	60	3	350	10950 80	2	26.33	1692	192	+41 E	2	60	3	90

TABLE 1 CONTINUED

TABLE 1 CONTINUED

10951 80	2	26.33	1692	192	+13 E	6	70	2	110	10991 80	3	14.34	1693	147	-15 W	3	40	1	80
10952 80	2	26.33	1692	192	-11 E	5	30	2	60	10992 80	3	14.34	1693	147	+5 W	12	30	3	75
10953 80	2	26.33	1692	192	-18 E	2	70	2	10	10993 80	3	14.34	1693	147	+22 W	3	40	2	60
10954 80	2	26.33	1692	192	-35 E	2	20	2	30	10994 80	3	14.34	1693	147	+32 W	4	30	2	60
10955 80	2	26.33	1692	192	-59 E	6	40	2	70	10995 80	3	14.34	1693	147	+47 W	2	30	2	20
10956 80	2	26.33	1692	192	-86 F	6	50	3	150	10996 80	3	14.34	1693	147	+74 W	10	40	2	175
10957 80	2	26.33	1692	12	-55 W	8	10	1	20	10997 80	3	15.40	1693	313	+74 E	15	70	2	180
10958 80	2	26.33	1692	12	-7 W	13	170	3	140	10998 80	3	15.40	1693	313	-6 E	7	30	1	90
10959 80	2	26.33	1692	12	+20 W	1	10	1	10	10999 80	3	15.40	1693	313	-40 E	7	30	2	85
10960 80	2	26.33	1692	12	+70 W	5	30	2	80	11000 80	3	15.40	1693	313	-58 E	14	60	1	120
10961 80	2	27.37	1692	178	+46 E	4	30	2	50	11001 80	3	15.40	1693	133	-68 W	14	40	2	190
10962 80	2	27.37	1692	178	+29 E	7	30	2	60	11002 80	3	15.40	1693	133	-39 W	12	50	3	190
10963 80	2	27.37	1692	178	+13 E	1	50	2	30	11003 80	3	15.40	1693	133	+11 W	8	30	2	75
10964 80	2	27.37	1692	178	+4 F	1	30	2	20	11004 80	3	15.40	1693	133	+25 W	11	40	2	80
10965 80	2	27.37	1692	178	-17 E	4	30	3	20	11005 80	3	15.40	1693	133	+76 W	11	50	2	180
10966 80	2	27.37	1692	178	-26 E	4	30	2	50	11006 80	3	17.38	1693	287	+72 E	9	40	2	160
10967 80	2	27.37	1692	178	-38 E	4	40	2	70	11007 80	3	17.38	1693	287	-8 E	1	20	1	10
10968 80	2	27.37	1692	178	-62 E	11	40	3	190	11008 80	3	17.38	1693	107	-66 W	10	50	2	290
10969 80	2	27.37	1692	358	-53 W	4	40	2	80	11009 80	3	17.38	1693	107	-29 W	3	10	2	30
10970 80	2	27.37	1692	358	-30 W		50	3	20	11010 80	3	17.38	1693	107	+42 W	5	40	2	110
10971 80	2	27.37	1692	358	-22 W	2	80	3	60	11011 80	3	17.38	1693	197	+70 W	3	40	2	70
10972 80	2	27.37	1692	358	-8 W	15	80	3	310	11012 80	3	22.27	1693	222	+83 E	13	20	1	50
10973 80	2	27.37	1692	358	+69 W	2	30	2	40	11013 80	3	22.27	1693	222	+27 E	16	30	2	80
10974 80	3	6.44	1693	71	+65 E	12	50	1	230	11014 80	3	22.27	1693	222	-23 E	2	40	2	40
10975 80	3	6.44	1693	71	+30 E	8	80	2	160	11015 80	3	22.27	1693	222	-62 E	3	30	2	80
10976 80	3	6.44	1693	71	+14 E	2	20	2	40	11016 80	3	22.27	1693	42	-40 W	2	40	2	40
10977 80	3	6.44	1693	71	-15 E	2	20	2	40	11017 80	3	22.27	1693	42	-17 W	11	50	3	420
10978 80	3	6.44	1693	71	-42 E	9	40	2	180	11018 80	3	22.27	1693	42	+39 W	6	40	2	150
10979 80	3	6.44	1693	71	-65 E	5	40	2	110	11019 80	3	22.27	1693	42	+66 W	15	50	3	190
10980 80	3	6.44	1693	251	-61 W	4	40	2	60	11020 80	3	23.28	1693	209	+84 E	6	20	2	30
10981 80	3	6.44	1693	251	-23 W	5	30	2	70	11021 80	3	23.28	1693	209	+59 E	2	20	1	20
10982 80	3	6.44	1693	251	+7 W	3	60	2	75	11022 80	3	23.28	1693	209	+34 E	4	40	2	80
10983 80	3	6.44	1693	251	+29 W	4	30	2	65	11023 80	3	23.28	1693	209	+2 E	10	50	2	50
10984 80	3	6.44	1693	251	+71 W	5	20	2	50	11024 80	3	23.28	1693	209	-24 E	15	40	2	180
10985 80	3	14.34	1693	327	+73 E	10	40	2	160	11025 80	3	23.28	1693	209	-70 E	2	20	2	40
10986 80	3	14.34	1693	327	-12 E	7	30	2	130	11026 80	3	23.28	1693	29	-32 W	29	60	3	330
10987 80	3	14.34	1693	327	-40 E	11	40	2	100	11027 80	3	23.28	1693	29	+31 W	18	50	2	180
10988 80	3	14.34	1693	327	-59 E	3	40	2	80	11028 80	3	23.28	1693	29	+76 W	14	40	3	200
10989 80	3	14.34	1693	147	-63 W	8	40	2	150	11029 80	3	27.29	1693	156	+74 E	5	20	1	80
10990 80	3	14.34	1693	147	-31 W	11	80	2	240	11030 80	3	27.29	1693	156	+28 E	25	30	2	370

TABLE 1 CONTINUED

11031 80	3	27.29	1693	156	-35 E	16	90	2	620	11071 80	4	15.27	1694	266	-30 E	10	50	3	150
11032 80	3	27.29	1693	156	-64 E	3	40	1	50	11072 80	4	15.27	1694	266	-46 E	6	40	2	80
11033 80	3	27.29	1693	336	-25 W	31	100	2	540	11073 80	4	15.27	1694	266	-71 E	1	20	1	20
11034 80	3	27.29	1693	336	+26 W	2	30	1	40	11074 80	4	15.27	1694	86	-59 W	20	110	3	230
11035 80	3	27.29	1693	336	+75 W	13	120	1	490	11075 80	4	15.27	1694	86	-36 W	20	30	2	40
11036 80	4	7.29	1694	11	+80 E	2	10	2	30	11076 80	4	15.27	1694	86	-21 W	10	50	2	110
11037 80	4	7.29	1694	11	+69 E	7	60	3	240	11077 80	4	15.27	1694	86	+4 W	6	40	2	100
11038 80	4	7.29	1694	11	-5 E	2	50	2	50	11078 80	4	15.27	1694	86	+23 W	8	50	2	190
11039 80	4	7.29	1694	191	-60 W	4	40	2	60	11079 80	4	15.27	1694	86	+40 W	5	30	2	60
11040 80	4	7.29	1694	191	+38 W	9	50	2	110	11080 80	4	15.27	1694	86	+59 W	11	50	3	160
11041 80	4	8.31	1694	358	+78 E	1	10	1	10	11081 80	4	16.38	1694	251	+42 E	1	40	1	40
11042 80	4	8.31	1694	358	+70 E	9	60	3	260	11082 80	4	16.38	1694	251	+23 E	1	30	1	30
11043 80	4	8.31	1694	358	-38 E	9	30	2	100	11083 80	4	16.38	1694	251	0 E	3	30	2	50
11044 80	4	8.31	1694	358	-63 E	5	90	2	70	11084 80	4	16.38	1694	251	-18 E	1	20	2	20
11045 80	4	8.31	1694	178	-64 W	5	40	2	80	11085 80	4	16.38	1694	71	-62 W	2	180	2	190
11046 80	4	8.31	1694	178	-14 W	6	50	2	90	11086 80	4	16.38	1694	71	-37 W	3	50	3	120
11047 80	4	8.31	1694	178	+33 W	2	10	1	20	11087 80	4	16.38	1694	71	-25 W	10	30	2	90
11048 80	4	13.28	1694	292	+78 E	15	120	3	640	11088 80	4	16.38	1694	71	+27 W	1	60	3	40
11049 80	4	13.28	1694	292	+41 E	2	10	2	20	11089 80	4	16.38	1694	71	+39 W	2	20	3	30
11050 80	4	13.28	1694	292	+23 E	1	10	1	10	11090 80	4	16.38	1694	71	+55 W	2	40	2	50
11051 80	4	13.28	1694	292	-2 E	8	20	1	20	11091 80	4	17.30	1694	239	+42 E	5	20	2	80
11052 80	4	13.28	1694	292	-26 E	4	20	1	50	11092 80	4	17.30	1694	239	+28 E	4	70	2	60
11053 80	4	13.28	1694	292	+44 E	3	30	2	40	11093 80	4	17.30	1694	239	+3 E	2	10	2	20
11054 80	4	13.28	1694	112	-60 W	10	70	3	270	11094 80	4	17.30	1694	239	-40 E	13	40	2	120
11055 80	4	13.28	1694	112	-35 W	12	40	2	140	11095 80	4	17.30	1694	239	-61 E	3	40	2	50
11056 80	4	13.28	1694	112	-16 W	1	20	1	20	11096 80	4	17.30	1694	59	-39 W	1	10	2	10
11057 80	4	13.28	1694	112	-2 W	8	40	2	80	11097 80	4	17.30	1694	59	-32 W	1	10	2	10
11058 80	4	13.28	1694	112	+17 W	18	40	2	180	11098 80	4	17.30	1694	59	-15 W	4	50	3	140
11059 80	4	13.28	1694	112	+52 W	12	20	2	120	11099 80	4	17.30	1694	59	-2 W	2	20	1	30
11060 80	4	13.28	1694	112	+68 W	3	30	2	40	11100 80	4	17.30	1694	59	+32 W	70	1	40	
11061 80	4	14.32	1694	278	+31 E	14	30	1	110	11101 80	4	17.30	1694	59	+52 W	1	120	1	190
11062 80	4	14.32	1694	278	-29 E	1	40	1	20	11102 80	4	17.30	1694	59	+73 W	3	20	2	50
11063 80	4	14.32	1694	98	-60 W	10	70	2	260	11103 80	4	23.37	1694	159	+64 E	2	20	2	40
11064 80	4	14.32	1694	98	-11 W	12	50	1	100	11104 80	4	23.37	1694	159	+20 E	17	50	2	170
11065 80	4	14.32	1694	98	+19 W	8	40	1	80	11105 80	4	23.37	1694	159	-14 E	1	30	1	30
11066 80	4	14.32	1694	98	+57 W	8	40	2	140	11106 80	4	23.37	1694	159	-23 E	13	30	2	180
11067 80	4	15.27	1694	266	+68 E	4	20	2	20	11107 80	4	23.37	1694	339	-66 W	3	20	2	40
11068 80	4	15.27	1694	266	+28 E	17	40	3	190	11108 80	4	23.37	1694	339	+12 W	1	30	1	30
11069 80	4	15.27	1694	266	-7 E	8	20	2	110	11109 80	4	23.37	1694	339	+27 W	4	30	2	90
11070 80	4	15.27	1694	266	-21 E	2	20	1	20	11110 80	4	23.37	1694	339	+70 W	5	40	2	120

TABLE 1 CONTINUED

TABLE 1 CONTINUED

11111 80	4	24.24	1694	147	+65 E	4	30	2	60	11151 80	5	9.26	1695	129	+38 W	22	30	2	320
11112 80	4	24.24	1694	147	+18 E	7	50	2	220	11152 80	5	9.26	1695	129	+70 W	9	70	2	260
11113 80	4	24.24	1694	147	-11 E	2	20	2	30	11153 80	5	11.25	1695	283	+76 E	2	20	2	30
11114 80	4	24.24	1694	147	-23 E	5	30	2	80	11154 80	5	11.25	1695	283	+39 E	3	20	2	30
11115 80	4	24.24	1694	147	-68 E	1	30	1	60	11155 80	5	11.25	1695	283	+9 E	5	20	2	40
11116 80	4	24.24	1694	327	-60 W	1	100	1	60	11156 80	5	11.25	1695	283	-8 E	7	30	2	80
11117 80	4	24.24	1694	327	+2 W	12	20	2	60	11157 80	5	11.25	1695	283	-60 E	2	20	2	30
11118 80	4	24.24	1694	327	+70 W	5	40	2	90	11158 80	5	11.25	1695	103	-63 W	7	50	2	120
11119 80	5	1.22	1695	55	+65 E	4	20	2	60	11159 80	5	11.25	1695	103	-31 W	1	20	1	10
11120 80	5	1.22	1695	55	+39 E	3	20	2	40	11160 80	5	11.25	1695	103	-20 W	4	100	2	100
11121 80	5	1.22	1695	55	+27 E	5	60	1	70	11161 80	5	11.25	1695	103	-9 W	1	20	1	10
11122 80	5	1.22	1695	55	-27 E	10	120	1	100	11162 80	5	11.25	1695	103	-3 W	3	30	1	60
11123 80	5	1.22	1695	55	-51 F	4	40	2	80	11163 80	5	11.25	1695	103	+8 W	8	80	1	100
11124 80	5	1.22	1695	235	-16 W	3	70	2	120	11164 80	5	11.25	1695	103	+20 W	1	80	1	50
11125 80	5	1.22	1695	235	-4 W	5	20	2	70	11165 80	5	11.25	1695	103	+46 W	1	20	2	20
11126 80	5	1.22	1695	235	+19 W	4	110	1	90	11166 80	5	11.25	1695	103	+8 W	6	100	2	190
11127 80	5	1.22	1695	235	+42 W	6	70	1	90	11167 80	5	12.22	1695	270	+73 F	3	30	2	60
11128 80	5	1.22	1695	235	+73 J	7	20	2	80	11168 80	5	12.22	1695	270	+7 E	5	40	2	70
11129 80	5	3.43	1695	26	-30 E	1	50	2	50	11169 80	5	12.22	1695	270	+13 E	6	30	2	90
11130 80	5	3.43	1695	26	-45 E	1	40	2	50	11170 80	5	12.22	1695	90	-60 W	3	50	2	70
11131 80	5	3.43	1695	26	-45 E	1	40	2	50	11171 80	5	12.22	1695	90	-23 W	13	100	2	260
11132 80	5	3.43	1695	26	-69 E	3	30	2	50	11172 80	5	12.22	1695	90	+5 W	1	70	1	50
11133 80	5	3.43	1695	206	-9 W	4	20	2	50	11173 80	5	12.22	1695	90	+43 W	1	50	1	40
11134 80	5	3.43	1695	206	+5 W	2	10	2	20	11174 80	5	13.18	1695	257	+72 E	5	50	2	120
11135 80	5	3.43	1695	206	+23 W	2	130	1	60	11175 80	5	13.18	1695	257	+7 E	9	30	2	140
11136 80	5	3.43	1695	206	+70 W	3	20	2	60	11176 80	5	13.18	1695	257	+25 E	2	20	2	30
11137 80	5	7.33	1695	335	-3 E	1	50	1	40	11177 80	5	13.18	1695	257	-5 E	11	40	2	220
11138 80	5	7.33	1695	335	-63 E	4	60	2	170	11178 80	5	13.18	1695	257	-22 E	1	120	1	110
11139 80	5	7.33	1695	155	-60 W	5	50	2	100	11179 80	5	13.18	1695	77	-63 W	3	60	2	80
11140 80	5	7.33	1695	155	-26 W	4	20	2	70	11180 80	5	13.18	1695	77	-23 W	4	30	1	30
11141 80	5	7.33	1695	155	-13 W	2	20	2	30	11181 80	5	13.18	1695	77	+3 W	8	60	1	100
11142 80	5	7.33	1695	155	+19 W	1	10	2	10	11182 80	5	13.18	1695	77	+17 W	5	20	1	30
11143 80	5	7.33	1695	155	+39 W	4	30	2	60	11183 80	5	13.18	1695	77	+37 W	1	60	2	140
11144 80	5	7.33	1695	155	+68 W	7	50	2	240	11184 80	5	14.21	1695	244	+73 E	6	40	2	160
11145 80	5	9.26	1695	309	-72 E	6	50	2	70	11185 80	5	14.21	1695	244	+23 E	8	50	1	60
11146 80	5	9.26	1695	129	-61 W	5	30	2	90	11186 80	5	14.21	1695	244	-18 F	15	100	2	180
11147 80	5	9.26	1695	129	-27 W	5	50	1	30	11187 80	5	14.21	1695	64	-60 W	8	60	2	170
11148 80	5	9.26	1695	129	-9 W	2	20	2	40	11188 80	5	14.21	1695	64	-17 W	9	40	3	90
11149 80	5	9.26	1695	129	0 W	1	30	2	30	11189 80	5	14.21	1695	64	+20 W	23	130	1	180
11150 80	5	9.26	1695	129	+13 W	3	80	2	130	11190 80	5	14.21	1695	64	+69 W	2	20	2	40

TABLE 1 CONTINUED

TABLE 1 CONTINUED

11191 80	5	15.21	1695	231	+72 F	6	50	2	90	11231 80	5	27.17	1696	233	+83 W	5	30	1	70
11192 80	5	15.21	1695	231	+43 E	2	30	2	70	11232 80	6	11.20	1696	234	+80 E	4	40	2	50
11193 80	5	15.21	1695	231	+25 E	1	70	1	60	11233 80	6	11.20	1696	234	-22 E	21	80	3	370
11194 80	5	15.21	1695	231	-13 E	10	140	1	210	11234 80	6	11.20	1696	234	-60 E	6	40	2	60
11195 80	5	15.21	1695	231	-58 E	1	40	1	30	11235 80	6	11.20	1696	54	-83 W	5	60	3	140
11196 80	5	15.21	1695	51	-66 W	5	50	2	140	11236 80	6	11.20	1696	54	-62 W	7	80	2	50
11197 80	5	15.21	1695	51	-59 W	1	50	1	50	11237 80	6	11.20	1696	54	-47 W	1	10	1	10
11198 80	5	15.21	1695	51	-43 W	1	30	1	60	11238 80	6	11.20	1696	54	-19 W	1	10	1	10
11199 80	5	15.21	1695	51	-32 W	6	20	2	110	11239 80	6	11.20	1696	54	-5 W	5	20	2	30
11200 80	5	15.21	1695	51	-19 W	2	30	2	70	11240 80	6	11.20	1696	54	+18 W	13	60	3	150
11201 80	5	15.21	1695	51	-10 W	1	50	1	40	11241 80	6	11.20	1696	54	+79 W	14	50	3	240
11202 80	5	15.21	1695	51	+20 W	80	1	150	150	11242 80	6	12.52	1696	217	+83 E	3	30	2	30
11203 80	5	15.21	1695	51	+70 W	6	50	2	150	11243 80	6	12.52	1696	217	+31 E	10	20	1	30
11204 80	5	16.22	1695	217	+69 E	4	40	2	100	11244 80	6	12.52	1696	217	-22 E	20	60	3	350
11205 80	5	16.22	1695	217	+62 E	2	30	2	40	11245 80	6	12.52	1696	217	-57 E	8	30	2	30
11206 80	5	16.22	1695	217	+26 F	5	30	1	40	11246 80	6	12.52	1696	37	-62 W	4	60	2	60
11207 80	5	16.22	1695	217	-18 E	26	50	2	580	11247 80	6	12.52	1696	37	-48 W	7	30	2	50
11208 80	5	16.22	1695	37	-58 W	22	60	1	170	11248 80	6	12.52	1696	37	-3 W	2	10	1	10
11209 80	5	16.22	1695	37	-36 W	3	30	2	50	11249 80	6	12.52	1696	37	+26 W	50	1	10	10
11210 80	5	16.22	1695	37	-22 W	1	20	1	20	11250 80	6	12.52	1696	37	+56 W	8	30	1	20
11211 80	5	16.22	1695	37	-15 W	1	10	1	10	11251 80	6	12.52	1696	37	+78 W	18	50	3	450
11212 80	5	16.22	1695	37	+22 W	1	20	1	30	11252 80	6	15.20	1696	181	+79 E	2	20	2	30
11213 80	5	16.22	1695	37	+27 W	7	50	2	160	11253 80	6	15.20	1696	181	+26 E	6	60	2	120
11214 80	5	23.27	1695	124	+70 E	6	60	2	170	11254 80	6	15.20	1696	181	+12 E	4	40	2	70
11215 80	5	23.27	1695	124	+34 E	28	100	2	850	11255 80	6	15.20	1696	181	-12 F	5	30	2	50
11216 80	5	23.27	1695	124	+5 E	15	80	1	110	11256 80	6	15.20	1696	181	-68 E	3	30	2	30
11217 80	5	23.27	1695	124	-9 E	1	10	1	10	11257 80	6	15.20	1696	1	-65 W	1	10	1	10
11218 80	5	23.27	1695	124	-16 E	2	20	1	30	11258 80	6	15.20	1696	1	-49 W	7	120	2	220
11219 80	5	23.27	1695	124	-41 E	14	60	2	200	11259 80	6	15.20	1696	1	-20 W	1	10	1	10
11220 80	5	23.27	1695	304	-59 W	2	60	1	90	11260 80	6	15.20	1696	1	-14 W	1	60	2	30
11221 80	5	27.17	1696	73	+49 E	1	60	1	50	11261 80	6	15.20	1696	1	-6 W	1	80	2	20
11222 80	5	27.17	1696	73	+32 E	11	30	2	80	11262 80	6	15.20	1696	1	-2 W	1	20	1	10
11223 80	5	27.17	1696	73	+12 E	7	30	2	100	11263 80	6	15.20	1696	1	+13 W	8	30	2	60
11224 80	5	27.17	1696	73	-30 E	9	30	1	50	11264 80	6	15.20	1696	1	+34 W	6	20	2	30
11225 80	5	27.17	1696	73	-65 E	9	160	1	170	11265 80	6	15.20	1696	102	+78 W	25	50	3	260
11226 80	5	27.17	1696	253	-58 W	1	20	1	20	11266 80	6	21.23	1696	102	+75 F	6	100	3	180
11227 80	5	27.17	1696	253	-23 W	8	10	2	80	11267 80	6	21.23	1696	102	+43 E	11	50	2	140
11228 80	5	27.17	1696	253	-10 W	4	20	2	30	11268 80	6	21.23	1696	102	+30 E	1	10	1	10
11229 80	5	27.17	1696	253	+13 W	1	80	2	80	11269 80	6	21.23	1696	102	+18 E	1	110	3	60
11230 80	5	27.17	1696	253	+44 W	1	80	1	90	11270 80	6	21.23	1696	102	+2 E	1	20	2	20

TABLE 1 CONTINUED

11271 80	6	21.23	1696	102	-25 E	1	10	1	10	1311 80	7	10.26	1697	31	+80 W	2	70	2	80
11272 80	6	21.23	1696	102	-40 E	9	100	3	280	1312 80	7	14.20	1697	159	+70 E	1	10	1	10
11273 80	6	21.23	1696	282	-18 W	2	50	2	40	1313 80	7	14.20	1697	159	+28 E	11	30	2	70
11274 80	6	21.23	1696	282	-13 W	4	30	2	50	1314 80	7	14.20	1697	159	+12 E	1	20	1	10
11275 80	6	21.23	1696	282	-1 W	1	50	2	30	1315 80	7	14.20	1697	159	-15 E	15	80	2	130
11276 80	6	21.23	1696	282	+23 W	6	20	2	40	1316 80	7	14.20	1697	159	-32 E	4	100	3	240
11277 80	6	21.23	1696	282	+35 W	2	30	2	30	1317 80	7	14.20	1697	159	-58 E	4	70	2	110
11278 80	6	21.23	1696	282	+72 W	5	70	2	160	1318 80	7	14.20	1697	339	-75 W	1	40	2	30
11279 80	6	24.42	1697	60	+28 E	5	50	2	110	1319 80	7	14.20	1697	339	-44 W	19	40	2	200
11280 80	6	24.42	1697	60	+14 E	1	60	2	30	1320 80	7	14.20	1697	339	+56 W	7	20	2	40
11281 80	6	24.42	1697	60	-65 E	2	20	1	10	1321 80	7	15.22	1697	145	+73 E	1	30	2	20
11282 80	6	24.42	1697	240	-21 W	14	100	3	390	1322 80	7	15.22	1697	145	+32 E	17	110	3	200
11283 80	6	24.42	1697	240	-3 W	2	10	2	20	1323 80	7	15.22	1697	145	+12 E	3	20	2	30
11284 80	6	24.42	1697	240	+81 W	10	70	2	230	1324 80	7	15.22	1697	145	-5 E	6	60	2	60
11285 80	6	26.21	1697	36	+1 E	6	60	2	80	1325 80	7	15.22	1697	145	-34 E	10	50	3	170
11286 80	6	26.21	1697	36	+6 E	1	10	1	10	1326 80	7	15.22	1697	145	-52 F	1	20	1	10
11287 80	6	26.21	1697	36	-28 E	6	60	1	50	1327 80	7	15.22	1697	145	-64 F	4	50	2	70
11288 80	6	26.21	1697	36	-62 E	3	40	1	70	1328 80	7	15.22	1697	325	-77 W	2	50	2	40
11289 80	6	26.21	1697	216	-63 W	6	40	1	60	1329 80	7	15.22	1697	325	-56 W	11	80	3	170
11290 80	6	26.21	1697	216	-22 W	11	110	2	290	1330 80	7	15.22	1697	325	-34 W	15	60	3	340
11291 80	6	26.21	1697	216	+10 W	1	10	1	10	1331 80	7	15.22	1697	325	-16 W	1	10	1	10
11292 80	6	26.21	1697	216	+23 W	1	40	1	20	1332 80	7	15.22	1697	325	+12 W	1	10	1	10
11293 80	7	8.17	1697	238	+74 E	8	60	2	160	1333 80	7	15.22	1697	325	+28 W	1	20	1	10
11294 80	7	8.17	1697	238	+47 E	5	40	2	110	1334 80	7	15.22	1697	325	+53 W	3	50	2	90
11295 80	7	8.17	1697	238	+23 E	6	10	1	30	1335 80	7	15.22	1697	325	+76 W	1	10	1	10
11296 80	7	8.17	1697	238	+3 E	16	30	2	130	1336 80	7	31.21	1698	294	+75 E	5	20	2	70
11297 80	7	8.17	1697	238	-14 E	3	30	2	40	1337 80	7	31.21	1698	294	+30 E	2	10	2	20
11298 80	7	8.17	1697	238	-25 E	6	40	2	90	1338 80	7	31.21	1698	294	-67 E	3	50	2	80
11299 80	7	8.17	1697	238	-33 E	6	40	2	70	1339 80	7	31.21	1698	114	-71 W	1	10	2	10
11300 80	7	8.17	1697	238	-54 E	2	20	1	20	1340 80	7	31.21	1698	114	-66 W	3	40	2	60
11301 80	7	8.17	1697	58	+8 W	10	40	2	210	1341 80	7	31.21	1698	114	-22 W	11	80	2	150
11302 80	7	8.17	1697	58	+43 W	10	50	2	120	1342 80	7	31.21	1698	114	-11 W	1	30	2	40
11303 80	7	8.17	1697	58	+78 W	2	40	2	30	1343 80	7	31.21	1698	114	+28 W	2	20	2	30
11304 80	7	10.26	1697	211	+47 E	2	40	2	40	1344 80	7	31.21	1698	114	+75 W	7	20	2	80
11305 80	7	10.26	1697	211	+18 E	13	50	2	100	1345 80	8	2.18	1698	268	+75 E	6	40	2	90
11306 80	7	10.26	1697	211	-10 E	2	30	1	20	1346 80	8	2.18	1698	268	+28 E	3	30	1	40
11307 80	7	10.26	1697	211	-24 E	14	100	3	310	1347 80	8	2.18	1698	268	+8 E	2	50	2	60
11308 80	7	10.26	1697	211	-45 E	2	50	2	50	1348 80	8	2.18	1698	268	-37 E	4	30	2	50
11309 80	7	10.26	1697	31	-66 W	5	30	2	90	1349 80	8	2.18	1698	268	-67 E	4	50	2	100
11310 80	7	10.26	1697	31	+13 W	11	90	3	110	1350 80	8	2.18	1698	88	-69 W	5	80	2	140

TABLE 1 CONTINUED

TABLE 1 (CONTINUED)

TABLE 1 (CONTINUED)

11351 80	8	2.18	1698	88	-33 W	22	110	3	980	11391 80	8	7.18	1698	232	-23 E	1	30	2	30
11352 80	8	2.18	1698	38	-3 W	2	60	2	40	11392 80	8	7.18	1698	202	-42 E	13	50	2	160
11353 80	8	2.18	1698	38	+35 W	1	30	2	30	11393 80	8	7.18	1698	202	-73 E	11	70	2	330
11354 80	8	3.21	1698	255	+86 E	20	60	3	390	11394 80	8	7.18	1698	22	-59 W	3	30	2	70
11355 80	8	3.21	1698	255	+34 E	9	40	2	130	11395 80	8	7.18	1698	22	-18 W	7	30	2	110
11356 80	8	3.21	1698	255	+1 E	10	40	2	140	11396 80	8	7.18	1698	22	+10 W	5	20	2	50
11357 80	8	3.21	1698	255	-16 E	5	10	1	20	11397 80	8	7.18	1698	22	+46 W	5	50	2	190
11358 80	8	3.21	1698	255	-39 E	2	60	2	40	11398 80	8	7.18	1698	22	+79 W	4	20	2	30
11359 80	8	3.21	1698	75	-75 W	6	40	2	90	11399 80	8	8.32	1698	187	+73 E	13	60	2	80
11360 80	8	3.21	1698	75	-36 W	25	110	3	1420	11400 80	8	8.32	1698	187	+36 E	9	80	3	290
11361 80	8	3.21	1698	75	+5 W	9	60	3	380	11401 80	8	8.32	1698	187	-16 E	3	40	2	40
11362 80	8	3.21	1698	75	+75 W	5	30	2	80	11402 80	8	8.32	1698	187	-37 E	2	30	2	30
11363 80	8	5.19	1698	228	+75 E	15	70	3	240	11403 80	8	8.32	1698	187	-48 E	1	10	1	10
11364 80	8	5.19	1698	228	+42 E	4	40	2	70	11404 80	8	8.32	1698	187	-70 E	14	60	3	330
11365 80	8	5.19	1698	228	+25 E	3	120	2	180	11405 80	8	8.32	1698	7	-4 W	7	30	2	110
11366 80	8	5.19	1698	228	-2 E	3	50	2	150	11406 80	8	8.32	1698	7	+49 W	6	50	2	170
11367 80	8	5.19	1698	228	-29 E	14	60	3	340	11407 80	8	8.32	1698	7	+82 W	1	30	1	20
11368 80	8	5.19	1698	228	-62 E	8	50	2	170	11408 80	8	17.38	1699	68	+73 E	7	50	2	150
11369 80	8	5.19	1698	48	-64 W	3	20	2	40	11409 80	8	17.38	1699	68	+27 E	7	50	2	240
11370 80	8	5.19	1698	48	+5 W	1	40	1	10	11410 80	8	17.38	1699	68	-31 E	21	150	2	940
11371 80	8	5.19	1698	48	+16 W	5	50	2	80	11411 80	8	17.38	1699	68	-69 E	4	60	2	90
11372 80	8	5.19	1698	48	+36 W	2	30	2	20	11412 80	8	17.38	1699	248	-66 W	16	60	2	290
11373 80	8	5.19	1698	48	+79 W	3	20	2	30	11413 80	8	17.38	1699	248	-39 W	3	30	2	70
11374 80	8	6.41	1698	212	+76 E	15	60	3	190	11414 80	8	17.38	1699	248	+31 W	8	30	2	80
11375 80	8	6.41	1698	212	+46 E	2	40	2	30	11415 80	8	18.23	1699	56	+52 E	6	30	2	150
11376 80	8	6.41	1698	212	+28 E	5	70	2	90	11416 80	8	18.23	1699	56	+27 E	9	80	2	360
11377 80	8	6.41	1698	212	+1 E	4	30	2	40	11417 80	8	18.23	1699	56	+11 E	6	60	2	50
11378 80	8	6.41	1698	212	-14 E	7	80	2	70	11418 80	8	18.23	1699	56	-31 E	18	170	2	870
11379 80	8	6.41	1698	212	-36 E	17	40	2	210	11419 80	8	18.23	1699	56	-71 E	3	60	1	120
11380 80	8	6.41	1698	212	-70 E	8	70	3	400	11420 80	8	18.23	1699	236	-63 W	12	50	2	130
11381 80	8	6.41	1698	32	-68 W	2	40	2	30	11421 80	8	18.23	1699	236	-30 W	31	40	2	660
11382 80	8	6.41	1698	32	-39 W	2	30	2	40	11422 80	8	18.23	1699	236	+45 W	3	30	1	50
11383 80	8	6.41	1698	32	-20 W	15	100	3	640	11423 80	8	18.23	1699	236	+74 W	3	60	2	90
11384 80	8	6.41	1698	32	+1 W	1	40	2	20	11424 80	8	19.23	1699	43	+76 E	1	20	1	20
11385 80	8	6.41	1698	32	+11 W	2	40	2	30	11425 80	8	19.23	1699	43	+60 E	1	30	1	30
11386 80	3	6.41	1698	32	+47 W	3	40	2	40	11426 80	8	19.23	1699	43	+50 E	6	40	2	130
11387 80	8	6.41	1698	32	+79 W	2	20	1	20	11427 80	8	19.23	1699	43	+14 E	10	200	2	230
11388 80	8	7.18	1698	202	+77 E	15	50	2	260	11428 80	8	19.23	1699	43	-16 E	5	30	2	80
11389 80	8	7.18	1698	202	+30 E	15	50	2	120	11429 80	8	19.23	1699	43	-38 E	1	60	2	90
11390 80	8	7.18	1698	202	-7 E	1	40	1	30	11430 80	8	19.23	1699	43	-70 E	5	70	2	100

TABLE 1 CONTINUED

TABLE 1 CONTINUED

11431 80	8	19.23	1699	223	-67 W	10	60	2	130	11471 80	9	3.22	1699	25	-68 W	9	90	1	170
11432 80	8	19.23	1699	223	-34 W	30	60	2	650	11472 80	9	3.22	1699	25	-32 W	3	30	2	50
11433 80	8	19.23	1699	223	+23 W	3	30	2	50	11473 80	9	3.22	1699	25	+28 W	8	70	2	70
11434 80	8	19.23	1699	223	+48 W	1	40	2	40	11474 80	9	3.22	1699	25	+48 W	8	50	2	120
11435 80	8	19.23	1699	223	+73 W	6	40	2	110	11475 80	9	3.22	1699	25	+77 W	9	20	2	130
11436 80	8	21.43	1699	14	+77 E	2	20	2	30	11476 80	9	4.19	1699	193	+76 E	1	40	2	30
11437 80	8	21.43	1699	14	+51 F	4	20	2	60	11477 80	9	4.19	1699	193	+48 E	2	50	2	60
11438 80	8	21.43	1699	14	-22 E	14	40	2	240	11478 80	9	4.19	1699	193	-27 E	2	10	2	20
11439 80	8	21.43	1699	14	-41 E	2	30	2	40	11479 80	9	4.19	1699	193	-68 E	5	50	2	80
11440 80	8	21.43	1699	14	-71 E	1	60	2	160	11480 80	9	4.19	1699	13	-71 W	4	70	2	140
11441 80	8	21.43	1699	194	-42 W	8	50	2	210	11481 80	9	4.19	1699	13	+26 W	1	120	2	80
11442 80	8	21.43	1699	194	-18 W	3	40	2	80	11482 80	9	4.19	1699	13	+76 W	2	10	2	20
11443 80	8	21.43	1699	194	-6 K	3	50	2	80	11483 80	9	5.23	1699	179	+78 E	5	30	2	70
11444 80	8	21.43	1699	194	+30 W	3	30	2	80	11484 80	9	5.23	1699	179	+43 E	8	70	2	70
11445 80	8	21.43	1699	194	+79 W	8	40	2	100	11485 80	9	5.23	1699	179	+31 E	4	20	2	30
11446 80	8	28.19	1699	285	+81 E	3	30	2	40	11486 80	9	5.23	1699	179	+16 E	4	20	1	20
11447 80	8	28.19	1699	285	+32 E	5	20	2	50	11487 80	9	5.23	1699	179	-5 E	10	60	1	100
11448 80	8	28.19	1699	285	+10 E	7	40	2	200	11488 80	9	5.23	1699	179	-26 E	3	30	1	50
11449 80	8	28.19	1699	285	-10 E	13	40	2	180	11489 80	9	5.23	1699	179	-45 E	1	20	1	20
11450 80	8	28.19	1699	285	-39 E	1	40	2	30	11490 80	9	5.23	1699	179	-58 E	1	20	1	20
11451 80	8	28.19	1699	285	-50 F	6	50	2	190	11491 80	9	5.23	1699	179	-68 E	4	50	2	110
11452 80	8	28.19	1699	285	-85 F	1	40	1	60	11492 80	9	5.23	1699	359	-70 W	6	80	2	120
11453 80	8	28.19	1699	105	-63 W	1	60	1	80	11493 80	9	5.23	1699	359	-38 W	5	10	2	50
11454 80	8	28.19	1699	105	+33 W	9	50	2	200	11494 80	9	5.23	1699	359	+27 W	130	2	50	
11455 80	8	28.19	1699	105	+66 W	1	20	2	20	11495 80	9	5.23	1699	359	+35 W	2	10	2	20
11456 80	8	28.19	1699	105	+78 W	2	20	2	30	11496 80	9	5.23	1699	359	+43 W	5	40	2	100
11457 80	8	28.19	1699	105	+89 W	4	30	2	60	11497 80	9	5.23	1699	359	+51 W	2	30	2	40
11458 80	8	30.23	1699	78	-68 W	11	60	1	70	11498 80	9	5.23	1699	359	+75 W	2	20	2	30
11459 80	8	30.23	1699	78	-34 W	3	20	1	40	11499 80	9	6.25	1699	165	+82 E	14	40	2	70
11460 80	8	30.23	1699	78	-10 W	8	40	2	120	11500 80	9	6.25	1699	165	+42 E	5	30	2	110
11461 80	8	30.23	1699	78	+2 W	1	30	1	20	11501 80	9	6.25	1699	165	+32 E	2	20	2	30
11462 80	8	30.23	1699	78	+28 W	1	40	1	30	11502 80	9	6.25	1699	165	+19 E	6	30	2	100
11463 80	8	30.23	1699	78	+73 W	4	60	2	90	11503 80	9	6.25	1699	165	-30 E	3	10	2	30
11464 80	9	3.22	1699	205	+77 E	6	40	2	60	11504 80	9	6.25	1699	165	-67 E	9	60	2	130
11465 80	9	3.22	1699	205	+50 E	4	40	1	50	11505 80	9	6.25	1699	345	-67 W	1	120	2	70
11466 80	9	3.22	1699	205	+8 E	5	70	1	50	11506 80	9	6.25	1699	345	-40 W	28	70	2	470
11467 80	9	3.22	1699	205	+8 E	4	30	2	50	11507 80	9	6.25	1699	345	-23 W	2	30	2	40
11468 80	9	3.22	1699	205	-20 E	14	60	2	130	11508 80	9	6.25	1699	345	-17 W	3	30	2	20
11469 80	9	3.22	1699	205	-44 E	9	60	2	280	11509 80	9	6.25	1699	345	-8 W	1	10	2	10
11470 80	9	3.22	1699	205	-64 E	3	40	2	70	11510 80	9	6.25	1699	345	+14 W	1	30	2	20

TABLE 1 CONTINUED

TABLE 1 CONTINUED

11511 80	9	6.25	1699	345	+38 W	3	20	2	40	11551 80	9	21.32	1700	146	+6 W	7	10	1	50
11512 80	9	6.25	1699	345	+53 W	5	30	2	90	11552 80	9	21.32	1700	146	+38 W	1	120	2	90
11513 80	9	6.25	1699	345	+77 W	4	20	2	70	11553 80	9	22.27	1700	314	+82 E	8	30	1	30
11514 80	9	12.32	1700	85	+73 E	8	50	2	120	11554 80	9	22.27	1700	314	+25 E	15	40	2	100
11515 80	9	12.32	1700	85	+41 E	3	20	2	40	11555 80	9	22.27	1700	314	-17 E	50	1	10	
11516 80	9	12.32	1700	85	+33 E	6	70	2	330	11556 80	9	22.27	1700	314	-35 E	17	50	2	160
11517 80	9	12.32	1700	85	-17 E	9	70	2	320	11557 80	9	22.27	1700	314	-79 E	4	30	2	50
11518 80	9	12.32	1700	265	-66 W	5	30	2	80	11558 80	9	22.27	1700	134	-40 W	6	30	2	70
11519 80	9	12.32	1700	265	-36 W	3	30	1	50	11559 80	9	22.27	1700	134	-65 W	10	40	2	60
11520 80	9	12.32	1700	265	-29 W	2	10	1	20	11560 80	9	22.27	1700	134	-13 W	9	140	3	150
11521 80	9	12.32	1700	265	-21 W	5	10	1	40	11561 80	9	22.27	1700	134	+16 W	6	30	1	20
11522 80	9	12.32	1700	265	+23 W	1	130	1	90	11562 80	9	22.27	1700	134	+47 W	1	100	3	210
11523 80	9	12.32	1700	265	+47 W	7	50	1	100	11563 80	9	23.29	1700	300	+83 E	4	20	1	30
11524 80	9	12.32	1700	265	+77 W	2	20	2	40	11564 80	9	23.29	1700	300	+14 E	9	40	1	70
11525 80	9	19.26	1700	354	+77 E	12	20	2	60	11565 80	9	23.29	1700	300	-44 E	9	40	1	120
11526 80	9	19.26	1700	354	+43 E	15	70	3	430	11566 80	9	23.29	1700	120	-68 W	1	30	1	20
11527 80	9	19.26	1700	354	-18 E	2	30	2	50	11567 80	9	23.29	1700	120	-51 W	1	30	1	10
11528 80	9	19.26	1700	354	-39 E	3	40	2	30	11568 80	9	23.29	1700	120	+25 W	6	30	1	40
11529 80	9	19.26	1700	354	-76 E	2	40	2	40	11569 80	9	23.29	1700	120	+45 W	2	40	1	40
11530 80	9	19.26	1700	174	-54 W	17	40	2	100	11570 80	9	24.25	1700	288	+83 E	4	40	2	50
11531 80	9	19.26	1700	174	-22 W	19	30	2	110	11571 80	9	24.25	1700	288	+15 E	1	70	2	40
11532 80	9	19.26	1700	174	+22 W	3	50	3	80	11572 80	9	24.25	1700	288	-13 E	4	10	1	40
11533 80	9	19.26	1700	174	+37 W	4	40	2	50	11573 80	9	24.25	1700	288	-29 E	13	30	2	60
11534 80	9	19.26	1700	174	+62 W	2	70	2	130	11574 80	9	24.25	1700	288	-49 E	5	40	3	90
11535 80	9	20.24	1700	341	+78 E	2	30	2	30	11575 80	9	24.25	1700	288	-77 E	8	50	2	50
11536 80	9	20.24	1700	341	+47 E	12	80	3	490	11576 80	9	24.25	1700	108	-65 W	4	30	2	30
11537 80	9	20.24	1700	341	-30 E	22	60	2	220	11577 80	9	24.25	1700	108	-45 W	8	20	1	30
11538 80	9	20.24	1700	341	-77 E	4	50	2	90	11578 80	9	24.25	1700	108	-9 W	20	80	3	480
11539 80	9	20.24	1700	161	-63 W	4	30	2	40	11579 80	9	24.25	1700	108	+20 W	8	50	2	100
11540 80	9	20.24	1700	161	-38 W	25	100	3	560	11580 80	9	24.25	1700	108	+36 W	1	20	1	20
11541 80	9	20.24	1700	161	-12 W	3	20	2	30	11581 80	9	24.25	1700	108	+82 W	8	40	2	50
11542 80	9	20.24	1700	161	+24 W	8	40	2	60	11582 80	9	25.27	1700	274	+78 E	3	30	2	40
11543 80	9	20.24	1700	161	+44 W	8	120	3	150	11583 80	9	25.27	1700	274	+35 E	6	30	1	20
11544 80	9	20.24	1700	161	+75 W	11	110	3	230	11584 80	9	25.27	1700	274	+11 E	1	40	1	10
11545 80	9	21.32	1700	326	+82 E	5	30	1	40	11585 80	9	25.27	1700	274	-12 E	10	20	1	40
11546 80	9	21.32	1700	326	+35 E	4	10	1	40	11586 80	9	25.27	1700	274	-42 E	23	50	2	140
11547 80	9	21.32	1700	326	-24 E	14	50	2	160	11587 80	9	25.27	1700	274	-77 E	4	30	2	50
11548 80	9	21.32	1700	326	-75 E	1	30	1	10	11588 80	9	25.27	1700	94	-63 W	1	50	1	30
11549 80	9	21.32	1700	146	-42 W	14	30	2	110	11589 80	9	25.27	1700	94	-15 W	9	100	3	560
11550 80	9	21.32	1700	146	-19 W	9	30	2	90	11590 80	9	25.27	1700	94	+19 W	20	120	3	920

TABLE 1 CONTINUED

TABLE 1 CONTINUED

11591 80	9	25.27	1700	94	+41 W	2	40	2	30	11631 80	9	30.23	1700	209	+21 E	5	20	1	30
11592 80	9	27.26	1700	246	+82 F	3	10	1	20	11632 80	9	30.23	1700	209	-13 E	2	100	1	50
11593 80	9	27.26	1700	248	+47 E	1	30	1	30	11633 80	9	30.23	1700	209	-34 E	11	30	2	110
11594 80	9	27.26	1700	248	+23 E	12	10	1	60	11634 80	9	30.23	1700	209	-55 E	2	30	1	40
11595 80	9	27.26	1700	248	-39 E	20	60	2	170	11635 80	9	30.23	1700	209	-82 E	6	30	1	60
11596 80	9	27.26	1700	248	-77 E	4	50	2	70	11636 80	10	4.44	1700	153	+79 E	7	40	2	90
11597 80	9	27.26	1700	68	-64 W	2	30	1	20	11637 80	10	4.44	1700	153	+37 E	15	80	2	480
11598 80	9	27.26	1700	68	-12 W	10	150	3	770	11638 80	10	4.44	1700	153	+28 E	8	20	3	90
11599 80	9	27.26	1700	68	+22 W	11	80	3	240	11639 80	10	4.44	1700	153	+7 E	3	40	1	30
11600 80	9	27.26	1700	68	+40 W	12	50	3	180	11640 80	10	4.44	1700	153	-3 E	1	10	2	10
11601 80	9	27.26	1700	68	+76 W	1	20	1	10	11641 80	10	4.44	1700	153	-13 E	2	30	2	40
11602 80	9	28.25	1700	235	+82 E	11	10	1	40	11642 80	10	4.44	1700	153	-31 E	6	60	2	100
11603 80	9	28.25	1700	235	+49 E	2	30	2	20	11643 80	10	4.44	1700	153	-20 E	2	10	2	20
11604 80	9	28.25	1700	235	+13 E	8	10	1	70	11644 80	10	4.44	1700	333	-8 W	13	50	2	110
11605 80	9	28.25	1700	235	-5 E	2	50	2	40	11645 80	10	4.44	1700	333	-10 W	18	70	2	410
11606 80	9	28.25	1700	235	-28 E	1	20	1	20	11646 80	10	4.44	1700	333	+9 W	6	30	2	70
11607 80	9	28.25	1700	235	-48 E	3	20	2	30	11647 80	10	4.44	1700	333	+2 W	5	30	2	100
11608 80	9	28.25	1700	235	-74 E	3	50	2	50	11648 80	10	15.30	1701	10	+78 E	6	10	2	30
11609 80	9	28.25	1700	55	-61 W	1	30	1	20	11649 80	10	15.30	1701	10	+28 E	6	40	2	100
11610 80	9	28.25	1700	55	-35 W	2	30	1	30	11650 80	10	15.30	1701	10	+9 E	4	20	2	60
11611 80	9	28.25	1700	55	+6 W	2	50	2	50	11651 80	10	15.30	1701	10	-1 E	2	20	2	30
11612 80	9	28.25	1700	55	+19 W	1	20	1	10	11652 80	10	15.30	1701	10	-26 E	10	20	2	110
11613 80	9	28.25	1700	55	+31 W	1	20	2	30	11653 80	10	15.30	1701	10	-36 E	1	10	2	10
11614 80	9	28.25	1700	55	+52 W	3	30	2	40	11654 80	10	15.30	1701	10	-71 E	5	50	2	100
11615 80	9	28.25	1700	55	+72 W	2	50	2	60	11655 80	10	15.30	1701	10	-88 E	1	20	2	20
11616 80	9	29.29	1700	221	+80 E	8	30	1	30	11656 80	10	15.30	1701	100	-70 W	6	30	2	60
11617 80	9	29.29	1700	221	+46 E	1	10	1	10	11657 80	10	15.30	1701	190	-49 W	1	30	2	30
11618 80	9	29.29	1700	221	+23 E	4	30	2	50	11658 80	10	15.30	1701	190	-38 W	2	20	2	30
11619 80	9	29.29	1700	221	-10 E	3	90	2	120	11659 80	10	15.30	1701	190	-26 W	2	30	2	30
11620 80	9	29.29	1700	221	-33 E	6	20	1	20	11660 80	10	15.30	1701	190	+7 W	1	20	2	20
11621 80	9	29.29	1700	221	-53 E	3	50	2	80	11661 80	10	15.30	1701	190	+20 W	1	20	2	20
11622 80	9	29.29	1700	221	-82 F	4	70	3	100	11662 80	10	16.33	1701	356	+88 E	9	30	2	50
11623 80	9	29.29	1700	41	-69 W	1	20	1	10	11663 80	10	16.33	1701	356	+24 E	3	30	2	40
11624 80	9	29.29	1700	41	-56 W	1	50	2	30	11664 80	10	16.33	1701	356	0 E	8	60	3	150
11625 80	9	29.29	1700	41	-33 W	3	30	1	50	11665 80	10	16.33	1701	356	-18 F	5	80	3	120
11626 80	9	29.29	1700	41	-6 W	8	60	2	170	11666 80	10	16.33	1701	356	-35 E	9	70	3	100
11627 80	9	29.29	1700	41	+7 W	1	60	2	40	11667 80	10	16.33	1701	356	-22 E	7	80	3	210
11628 80	9	29.29	1700	41	+30 W	13	40	2	160	11668 80	10	16.33	1701	176	-71 W	4	40	2	50
11629 80	9	29.29	1700	41	+73 W	3	50	2	70	11669 80	10	16.33	1701	176	-53 W	1	50	1	20
11630 80	9	30.23	1700	209	+77 E	3	20	1	20	11670 80	10	16.33	1701	176	-41 W	1	20	1	10

TABLE 1 CONTINUED

TABLE 1 CONTINUED

11671 80 10	16.55	1701	176	+13 W	3	60	2	60	11711 80 10	24.20	1701	251	+3 E	2	20	2	20
11672 80 10	16.33	1701	176	+35 W	1	60	2	40	11712 80 10	24.29	1701	251	-11 E	2	20	2	40
11673 80 10	20.33	1701	304	+88 E	2	10	1	10	11713 80 10	24.25	1701	251	-21 E	2	40	2	60
11674 80 10	20.33	1701	304	+73 E	6	30	1	40	11714 80 10	24.20	1701	251	-41 E	12	40	3	190
11675 80 10	20.33	1701	304	+43 F	10	50	2	110	11715 80 10	24.29	1701	251	-72 E	1	10	1	10
11676 80 10	20.33	1701	304	+27 E	3	20	1	30	11716 80 10	24.20	1701	71	-24 W	1	40	1	10
11677 80 10	20.33	1701	304	+4 F	1	20	1	10	11717 80 10	24.29	1701	71	-1 W	2	20	1	20
11678 80 10	20.33	1701	304	-19 E	1	20	1	10	11718 80 10	24.20	1701	71	+28 W	8	40	2	40
11679 80 10	20.33	1701	304	-35 F	8	20	1	20	11719 80 10	24.20	1701	71	+65 W	4	70	2	100
11680 80 10	20.33	1701	304	-88 E	12	40	2	190	11720 80 10	26.40	1701	223	+78 E	11	30	2	70
11681 80 10	20.33	1701	124	-68 W	3	40	2	80	11721 80 10	26.40	1701	223	+48 E	1	50	2	20
11682 80 10	20.33	1701	124	-17 W	10	50	2	70	11722 80 10	26.40	1701	223	+6 E	7	130	3	480
11683 80 10	20.33	1701	124	+44 W	5	50	2	70	11723 80 10	26.40	1701	223	-41 E	50	2	30	
11684 80 10	21.30	1701	291	+78 E	2	30	2	30	11724 80 10	26.40	1701	43	-77 W	5	30	2	80
11685 80 10	21.30	1701	291	+43 E	10	60	3	140	11725 80 10	26.40	1701	43	-61 W	1	20	2	20
11686 80 10	21.30	1701	291	+16 E	1	30	1	10	11726 80 10	26.40	1701	43	-34 W	5	20	1	40
11687 80 10	21.30	1701	291	-17 E	3	30	1	40	11727 80 10	26.40	1701	43	-5 W	2	20	1	20
11688 80 10	21.30	1701	291	-21 E	3	10	1	20	11728 80 10	26.40	1701	43	+18 W	2	70	2	80
11689 80 10	21.30	1701	291	-89 E	12	40	2	90	11729 80 10	26.40	1701	43	+47 W	14	110	3	190
11690 80 10	21.30	1701	111	-63 W	5	30	2	70	11730 80 10	28.32	1701	198	+89 E	6	30	2	90
11691 80 10	21.30	1701	111	-42 W	4	120	3	80	11731 80 10	28.32	1701	198	+42 E	1	20	1	20
11692 80 10	21.30	1701	111	+2 W	8	50	2	70	11732 80 10	28.32	1701	198	+28 F	8	20	1	50
11693 80 10	21.30	1701	111	+19 W	9	80	3	180	11733 80 10	28.32	1701	198	+6 E	1	70	3	40
11694 80 10	21.30	1701	111	+49 W	2	50	2	60	11734 80 10	26.32	1701	198	-9 E	1	20	1	20
11695 80 10	21.30	1701	111	+88 W	2	20	1	20	11735 80 10	28.32	1701	198	-53 F	1	30	2	20
11696 80 10	22.29	1701	278	+80 E	15	40	2	100	11736 80 10	28.32	1701	18	-69 W	13	40	3	140
11697 80 10	22.29	1701	278	+42 E	6	60	3	180	11737 80 10	28.32	1701	18	-35 W	1	30	2	20
11698 80 10	22.29	1701	278	+10 E	7	10	1	20	11738 80 10	28.32	1701	18	-22 W	2	50	2	40
11699 80 10	22.29	1701	278	-27 E	29	60	3	570	11739 80 10	28.32	1701	18	-7 W	1	20	1	10
11700 80 10	22.29	1701	278	-61 E	18	20	2	120	11740 80 10	28.32	1701	18	+22 W	5	40	2	50
11701 80 10	22.29	1701	98	-68 W	4	10	1	30	11741 80 10	28.32	1701	18	+35 W	8	80	2	90
11702 80 10	22.29	1701	98	-42 W	5	100	3	80	11742 80 10	28.32	1701	18	+79 W	2	30	2	50
11703 80 10	22.29	1701	98	-19 W	9	80	2	70	11743 80 10	29.44	1701	183	+3 E	6	10	1	30
11704 80 10	22.29	1701	98	+18 W	4	100	3	100	11744 80 10	29.44	1701	193	+8 E	14	170	3	180
11705 80 10	22.29	1701	98	+28 W	8	20	2	70	11745 80 10	29.44	1701	183	-0 F	1	60	3	20
11706 80 10	22.29	1701	98	+41 W	7	20	2	60	11746 80 10	29.44	1701	183	-23 F	4	20	1	20
11707 80 10	22.29	1701	98	+62 W	1	20	1	10	11747 80 10	29.44	1701	183	-47 E	12	70	3	210
11708 80 10	24.29	1701	251	+74 E	1	20	1	20	11748 80 10	29.44	1701	3	-66 W	9	70	3	150
11709 80 10	24.29	1701	251	+48 E	2	40	2	50	11749 80 10	29.44	1701	3	-19 W	5	40	2	50
11710 80 10	24.29	1701	251	+36 E	3	40	2	60	11750 80 10	29.44	1701	3	-3 W	5	40	2	40

TABLE 1 CONTINUED

TABLE 1 CONTINUED

11751	80 10	29.44	1701	3	+ 6 W	9	50	3	140	11791	80 11	10.57	1702	23	-37 E	12	50	3	220
11752	80 10	29.44	1701	3	+29 W	7	119	3	280	11792	80 11	10.57	1702	23	-75 E	3	30	2	40
11753	80 10	29.44	1701	3	+28 W	5	30	2	40	11793	80 11	10.57	1702	203	-68 W	2	20	1	30
11754	80 11	1.41	1701	144	+61 E	1	30	2	30	11794	80 11	10.57	1702	203	+ 7 W	10	40	2	110
11755	80 11	1.41	1701	144	+44 E	7	40	3	170	11795	80 11	10.57	1702	203	+23 W	7	30	2	80
11756	80 11	1.41	1701	144	+30 E	1	130	3	90	11796	80 11	10.57	1702	203	+33 W	5	30	2	50
11757	80 11	1.41	1701	144	+ 8 E	6	60	3	80	11797	80 11	10.57	1702	203	+79 W	10	30	2	90
11758	80 11	1.41	1701	144	- 9 E	1	20	2	10	11798	80 11	11.28	1702	14	+74 E	2	20	2	20
11759	80 11	1.41	1701	144	-33 E	9	60	3	200	11799	80 11	11.28	1702	14	+36 E	8	90	3	230
11760	80 11	1.41	1701	144	-60 E	1	10	2	10	11800	80 11	11.28	1702	14	+ 6 E	3	20	2	20
11761	80 11	1.41	1701	144	-73 E	2	20	2	30	11801	80 11	11.28	1702	14	-37 E	13	80	3	260
11762	80 11	1.41	1701	324	-69 W	2	50	2	80	11802	80 11	11.28	1702	14	-73 E	2	20	2	30
11763	80 11	1.41	1701	324	-38 W	1	20	2	20	11803	80 11	11.28	1702	194	+21 W	5	60	2	110
11764	80 11	1.41	1701	324	-25 W	11	30	3	230	11804	80 11	11.28	1702	194	+34 W	2	20	2	30
11765	80 11	1.41	1701	324	- 7 W	1	20	2	10	11805	80 11	11.28	1702	194	+80 W	9	20	2	50
11766	80 11	1.41	1701	324	+36 W	4	20	2	20	11806	80 11	12.35	1702	0	+83 E	3	30	2	30
11767	80 11	2.35	1701	132	+84 E	2	10	1	10	11807	80 11	12.35	1702	0	+72 E	1	20	2	10
11768	80 11	2.35	1701	132	+55 E	2	10	2	10	11808	80 11	12.35	1702	0	+23 E	9	60	3	180
11769	80 11	2.35	1701	132	+39 E	10	60	3	180	11809	80 11	12.35	1702	0	- 8 E	16	120	2	80
11770	80 11	2.35	1701	132	+19 E	8	30	3	190	11810	80 11	12.35	1702	0	-32 E	2	60	2	70
11771	80 11	2.35	1701	132	+ 6 E	7	40	2	130	11811	80 11	12.35	1702	0	-45 E	2	50	2	40
11772	80 11	2.35	1701	132	- 8 E	9	50	2	100	11812	80 11	12.35	1702	180	-72 W	9	20	2	30
11773	80 11	2.35	1701	132	-38 E	9	80	3	180	11813	80 11	12.35	1702	180	-47 W	10	60	3	90
11774	80 11	2.35	1701	132	-77 E	5	40	2	50	11814	80 11	12.35	1702	180	+11 W	11	90	3	110
11775	80 11	2.35	1701	312	-67 W	5	60	3	180	11815	80 11	12.35	1702	180	+36 W	2	30	2	20
11776	80 11	2.35	1701	312	-49 W	1	10	2	10	11816	80 11	12.35	1702	180	+56 W	1	50	2	30
11777	80 11	2.35	1701	312	-26 W	13	60	3	290	11817	80 11	12.35	1702	130	+82 W	9	30	2	30
11778	80 11	2.35	1701	312	+35 W	6	30	3	80	11818	80 11	13.52	1702	344	+82 E	5	50	2	140
11779	80 11	2.35	1701	312	+48 W	6	50	3	90	11819	80 11	13.52	1702	344	+71 E	1	10	1	10
11780	80 11	2.35	1701	312	+81 W	3	20	2	20	11820	80 11	13.52	1702	344	+12 E	10	50	3	220
11781	80 11	8.53	1702	50	+28 E	33	110	3	790	11821	80 11	13.52	1702	344	+ 3 E	5	30	2	80
11782	80 11	8.53	1702	50	-15 E	8	40	2	90	11822	80 11	13.52	1702	344	-17 E	2	20	2	30
11783	80 11	8.53	1702	50	-33 E	2	20	2	30	11823	80 11	13.52	1702	344	-71 E	1	20	1	10
11784	80 11	8.53	1702	50	-49 E	2	20	3	40	11824	80 11	13.52	1702	344	-85 E	2	30	2	40
11785	80 11	8.53	1702	50	-75 E	2	40	2	80	11825	80 11	13.52	1702	164	-73 W	5	20	2	40
11786	80 11	8.53	1702	230	+79 W	9	40	3	110	11826	80 11	13.52	1702	164	-54 W	2	20	1	10
11787	80 11	10.57	1702	23	+84 E	4	20	2	50	11827	80 11	13.52	1702	164	- 2 W	11	50	2	90
11788	80 11	10.57	1702	23	+37 E	4	50	2	110	11828	80 11	13.52	1702	164	+13 W	7	20	2	60
11789	80 11	10.57	1702	23	+ 8 E	1	60	2	20	11829	80 11	13.52	1702	164	+23 W	3	20	2	30
11790	80 11	10.57	1702	23	-17 E	4	40	2	30	11830	80 11	13.52	1702	164	+54 W	1	30	1	10

TABLE 1 CONTINUED

11831	80	11	13.52	1702	164	+78 W	1	20	1	10	11871	80	11	26.52	1702	353	+18 W	4	20	1	30
11832	80	11	14.32	1702	334	+82 E	7	40	2	90	11872	80	11	26.52	1702	353	+35 W	6	40	1	90
11833	80	11	14.32	1702	334	+47 E	1	20	1	20	11873	80	11	26.52	1702	353	+49 W	6	20	1	60
11834	80	11	14.32	1702	334	+24 E	12	80	2	90	11874	80	11	26.52	1702	353	+84 W	7	40	2	110
11835	80	11	14.32	1702	334	-18 E	10	40	2	90	11875	80	12	2.36	1702	96	+81 E	2	50	2	80
11836	80	11	14.32	1702	334	-82 E	9	40	2	70	11876	80	12	2.36	1702	96	+48 E	2	30	2	40
11837	80	11	14.32	1702	154	-74 W	15	40	2	110	11877	80	12	2.36	1702	96	+29 E	7	20	2	50
11838	80	11	14.32	1702	154	-32 W	11	50	2	80	11878	80	12	2.36	1702	96	+18 F	10	140	1	130
11839	80	11	14.32	1702	154	+17 W	8	40	2	50	11879	80	12	2.36	1702	96	+ 5 E	3	40	2	60
11840	80	11	17.55	1702	291	+82 E	15	40	2	110	11880	80	12	2.36	1702	96	- 4 E	3	40	1	20
11841	80	11	17.55	1702	291	+46 E	10	50	2	80	11881	80	12	2.36	1702	96	-72 E	6	30	2	70
11842	80	11	17.55	1702	291	+30 E	2	40	1	40	11882	80	12	2.36	1702	276	-69 W	5	40	2	90
11843	80	11	17.55	1702	291	+23 F	4	80	2	50	11883	80	12	2.36	1702	276	-25 W	15	20	2	150
11844	80	11	17.55	1702	291	-10 E	5	40	1	50	11884	80	12	2.36	1702	276	+28 W	3	30	2	50
11845	80	11	17.55	1702	291	-32 E	13	60	3	180	11885	80	12	8.32	1703	17	+87 E	2	20	2	40
11846	80	11	17.55	1702	111	-74 W	4	40	2	80	11886	80	12	8.32	1703	17	+44 E	1	50	1	50
11847	80	11	17.55	1702	111	-32 W	11	70	3	100	11887	80	12	8.32	1703	17	+21 E	4	20	2	70
11848	80	11	17.55	1702	111	-21 W	1	20	1	20	11888	80	12	8.32	1703	17	+ 7 E	4	30	1	60
11849	80	11	17.55	1702	111	-10 W	9	80	3	120	11889	80	12	8.32	1703	17	- 2 E	3	30	1	30
11850	80	11	17.55	1702	111	+26 W	11	200	3	140	11890	80	12	8.32	1703	17	-39 E	1	30	2	30
11851	80	11	17.55	1702	111	+83 W	5	80	2	100	11891	80	12	8.32	1703	17	-73 E	6	40	2	140
11852	80	11	20.43	1702	253	+69 E	1	10	1	10	11892	80	12	8.32	1703	197	-71 W	7	30	1	80
11853	80	11	20.43	1702	253	+78 E	1	50	2	40	11893	80	12	8.32	1703	197	-53 W	3	30	1	50
11854	80	11	20.43	1702	253	+51 E	2	30	2	30	11894	80	12	8.32	1703	197	-14 W	5	30	2	80
11855	80	11	20.43	1702	253	+20 E	13	50	3	120	11895	80	12	8.32	1703	197	+ 3 W	5	110	2	160
11856	80	11	20.43	1702	253	-15 E	9	130	3	180	11896	80	12	8.32	1703	197	+30 W	7	30	2	60
11857	80	11	20.43	1702	253	-28 E	5	80	3	160	11897	80	12	8.32	1703	197	+43 W	5	20	2	100
11858	80	11	20.43	1702	253	-43 E	7	40	2	150	11898	80	12	8.32	1703	197	+83 W	2	20	2	50
11859	80	11	20.43	1702	73	-76 W	3	20	2	40	11899	80	12	13.42	1703	310	+48 F	4	20	2	70
11860	80	11	20.43	1702	73	-48 W	4	40	2	70	11900	80	12	13.42	1703	310	+35 E	8	20	2	60
11861	80	11	20.43	1702	73	+ 2 W	4	40	2	40	11901	80	12	13.42	1703	310	+17 F	3	140	2	160
11862	80	11	20.43	1702	73	+30 W	27	110	3	1420	11902	80	12	13.42	1703	310	+ 3 F	6	30	2	100
11863	80	11	20.43	1702	73	+53 W	1	40	2	20	11903	80	12	13.42	1703	310	-23 E	7	30	2	70
11864	80	11	20.43	1702	73	+84 W	2	30	2	40	11904	80	12	13.42	1703	310	-72 E	9	40	2	230
11865	80	11	26.52	1702	173	+90 E	4	20	1	20	11905	80	12	13.42	1703	130	-78 W	6	20	2	80
11866	80	11	26.52	1702	173	+15 E	16	30	2	230	11906	80	12	13.42	1703	130	-60 W	1	30	2	30
11867	80	11	26.52	1702	173	- 4 E	11	80	2	110	11907	80	12	13.42	1703	130	-25 W	2	20	2	40
11868	80	11	26.52	1702	353	-72 W	6	40	1	120	11908	80	12	13.42	1703	130	- 9 W	2	60	2	80
11869	80	11	26.52	1702	353	-30 W	4	70	1	130	11909	80	12	13.42	1703	130	+12 W	10	30	2	170
11870	80	11	26.52	1702	353	- 1 W	2	80	2	50	11910	80	12	13.42	1703	130	+21 W	12	30	2	40

TABLE 1 CONTINUED

TABLE 1 CONTINUED

11911 80 12	17.32	1703	258	+55 E	3	40	2	50	11951 81	1	9.31	1704	135	-25 W	1	70	2	20
11912 80 12	17.32	1703	258	+31 E	5	30	3	90	11952 81	1	9.31	1704	135	-16 W	5	40	2	80
11913 80 12	17.32	1703	258	+ 9 E	1	60	2	30	11953 81	1	9.31	1704	135	+37 W	14	90	3	530
11914 80 12	17.32	1703	258	- 2 E	1	70	3	40	11954 81	1	10.32	1704	301	+55 E	2	30	1	30
11915 80 12	17.32	1703	258	-25 F	19	40	3	170	11955 81	1	10.32	1704	301	+41 E	3	30	1	50
11916 80 12	17.32	1703	258	-76 E	7	40	3	140	11956 81	1	10.32	1704	301	+10 E	18	60	2	290
11917 80 12	17.32	1703	78	-72 W	2	40	2	50	11957 81	1	10.32	1704	301	-79 E	12	130	3	320
11918 80 12	17.32	1703	78	+ 5 W	4	10	2	20	11958 81	1	10.32	1704	121	-72 W	3	20	2	40
11919 80 12	17.32	1703	78	+28 W	6	40	3	120	11959 81	1	10.32	1704	121	-54 W	3	60	2	70
11920 80 12	17.32	1703	78	+48 W	1	10	1	10	11960 81	1	10.32	1704	121	-21 W	4	30	2	50
11921 80 12	17.32	1703	78	+66 W	1	10	1	10	11961 81	1	10.32	1704	121	+13 W	2	30	2	40
11922 80 12	17.32	1703	78	+75 W	1	10	1	10	11962 81	1	10.32	1704	121	+24 W	4	30	2	60
11923 80 12	25.41	1703	151	+40 E	1	80	2	80	11963 81	1	10.32	1704	121	+35 W	2	30	2	30
11924 80 12	25.41	1703	151	- 5 F	8	50	2	100	11964 81	1	14.43	1704	247	+87 E	1	10	1	10
11925 80 12	25.41	1703	151	-55 E	1	30	2	30	11965 81	1	14.43	1704	247	+29 E	3	70	2	110
11926 80 12	25.41	1703	151	-84 E	8	30	2	60	11966 81	1	14.43	1704	247	+ 9 E	5	70	3	160
11927 80 12	25.41	1703	331	-75 W	15	50	3	190	11967 81	1	14.43	1704	247	- 5 E	1	10	1	10
11928 80 12	25.41	1703	331	- 9 W	3	10	1	20	11968 81	1	14.43	1704	247	-16 E	9	30	1	50
11929 80 12	25.41	1703	331	+25 W	17	170	2	150	11969 81	1	14.43	1704	247	-76 E	3	30	2	40
11930 80 12	31.46	1704	72	+56 E	4	20	1	40	11970 81	1	14.43	1704	67	-74 W	2	30	1	40
11931 80 12	31.46	1704	72	+28 E	7	30	1	120	11971 81	1	14.43	1704	67	- 2 W	10	40	2	90
11932 80 12	31.46	1704	72	-10 E	5	10	1	20	11972 81	1	14.43	1704	67	+14 W	1	20	1	20
11933 80 12	31.46	1704	72	-78 E	9	40	1	140	11973 81	1	14.43	1704	67	+34 W	9	30	2	100
11934 80 12	31.46	1704	252	-74 W	3	50	1	70	11974 81	1	14.43	1704	67	+59 W	1	130	3	90
11935 80 12	31.46	1704	252	-11 W	7	90	2	480	11975 81	1	14.43	1704	67	+83 W	1	10	1	10
11936 80 12	31.46	1704	252	+28 W	7	100	2	460	11976 81	1	16.38	1704	221	+19 E	4	20	1	20
11937 81	1	8.39	1704	+10 E	9	40	2	70	11977 81	1	16.38	1704	221	+ 6 E	6	20	2	60
11938 81	1	8.39	1704	- 6 E	3	20	2	30	11978 81	1	16.38	1704	221	-30 F	13	50	2	170
11939 81	1	8.39	1704	-41 E	1	90	3	110	11979 81	1	16.38	1704	41	-77 W	3	20	1	30
11940 81	1	8.39	1704	-76 E	6	70	3	210	11980 81	1	16.38	1704	41	-42 W	4	60	2	130
11941 81	1	8.39	1704	-86 W	11	80	2	100	11981 81	1	16.38	1704	41	-12 W	1	50	2	20
11942 81	1	8.39	1704	-48 W	5	20	2	60	11982 81	1	16.38	1704	41	+ 8 W	3	120	2	50
11943 81	1	8.39	1704	-15 W	1	20	1	10	11983 81	1	16.38	1704	41	+30 W	6	60	2	170
11944 81	1	8.39	1704	+45 W	4	20	2	60	11984 81	1	16.38	1704	41	+45 W	1	40	1	20
11945 81	1	9.31	1704	+34 E	3	20	1	20	11985 81	1	16.38	1704	41	+76 W	1	30	2	20
11946 81	1	9.31	1704	+ 2 F	12	50	2	200	11986 81	1	16.38	1704	221	+22 E	2	20	2	40
11947 81	1	9.31	1704	-40 E	3	50	2	40	11987 81	1	16.38	1704	221	-31 E	9	40	2	180
11948 81	1	9.31	1704	-74 E	7	70	3	190	11988 81	1	16.38	1704	41	-76 W	3	20	1	40
11949 81	1	9.31	1704	-89 W	3	60	2	70	11989 81	1	16.38	1704	41	-28 W	5	40	2	120
11950 81	1	9.31	1704	-56 W	2	30	2	20	11990 81	1	16.38	1704	41	-10 W	1	70	1	30

TABLE 1 CONTINUED

TABLE 1 CONTINUED

11991 81	1	16.38	1704	41	+ 8 W	1	120	1	90	12031 81	1	25.37	1704	233	+48 W	2	40	2	50
11992 81	1	16.38	1704	41	+33 W	10	80	2	200	12032 81	1	28.54	1705	61	+36 E	3	20	2	50
11993 81	1	16.38	1704	41	+48 W	1	20	1	20	12033 81	1	28.54	1705	61	+ 2 E	8	20	1	120
11994 81	1	16.38	1704	41	+80 W	1	30	1	30	12034 81	1	28.54	1705	61	+82 E	R	30	2	110
11995 81	1	17.46	1704	207	+38 E	12	30	2	180	12035 81	1	28.54	1705	241	-80 W	5	40	2	140
11996 81	1	17.46	1704	207	-39 E	2	20	1	40	12036 81	1	28.54	1705	241	-42 W	8	30	2	150
11997 81	1	17.46	1704	27	-78 W	3	20	2	50	12037 81	1	28.54	1705	241	-30 W	8	30	2	90
11998 81	1	17.46	1704	27	-23 W	12	50	2	220	12038 81	1	29.35	1705	50	+46 E	3	30	2	50
11999 81	1	17.46	1704	27	+21 W	4	20	2	60	12039 81	1	29.35	1705	50	+39 E	2	30	2	50
12000 81	1	17.46	1704	27	+72 W	7	30	2	110	12040 81	1	29.35	1705	50	- 8 E	5	20	2	70
12001 81	1	23.38	1704	129	+57 E	2	20	2	30	12041 81	1	29.35	1705	50	-70 E	3	20	2	50
12002 81	1	23.38	1704	129	+42 E	6	110	2	220	12042 81	1	29.35	1705	50	-82 E	2	20	2	40
12003 81	1	23.38	1704	129	+21 E	3	20	2	50	12043 81	1	29.35	1705	230	-78 W	11	30	2	150
12004 81	1	23.38	1704	129	+ 6 E	2	60	2	60	12044 81	1	29.35	1705	230	+22 W	9	30	2	220
12005 81	1	23.38	1704	129	-14 E	4	30	2	80	12045 81	1	30.32	1705	37	+31 E	4	40	2	90
12006 81	1	23.38	1704	129	-51 E	4	50	2	70	12046 81	1	30.32	1705	37	+16 E	6	50	1	90
12007 81	1	23.38	1704	129	-72 E	2	20	2	40	12047 81	1	30.32	1705	37	- 5 E	9	90	1	170
12008 81	1	23.38	1704	309	-62 W	4	20	2	80	12048 81	1	30.32	1705	37	-70 E	1	20	2	30
12009 81	1	23.38	1704	309	-47 W	14	80	2	300	12049 81	1	30.32	1705	37	-82 E	3	30	2	70
12010 81	1	23.38	1704	309	+ 2 W	18	90	2	910	12050 81	1	30.32	1705	217	-78 W	6	40	2	130
12011 81	1	24.34	1704	309	+37 W	9	60	2	220	12051 81	1	30.32	1705	217	-33 W	14	50	2	510
12012 81	1	24.34	1704	116	+52 E	4	90	2	190	12052 81	1	30.32	1705	217	- 6 W	50	1	70	
12013 81	1	24.34	1704	116	+44 E	1	40	2	40	12053 81	1	31.34	1705	24	+38 E	8	40	2	170
12014 81	1	24.34	1704	116	+ 9 E	3	60	2	90	12054 81	1	31.34	1705	24	-20 E	7	20	2	70
12015 81	1	24.34	1704	116	- 9 E	1	60	1	20	12055 81	1	31.34	1705	24	-71 E	1	60	1	40
12016 81	1	24.34	1704	116	-47 E	7	30	2	130	12056 81	1	31.34	1705	24	-78 E	1	50	2	60
12017 81	1	24.34	1704	296	-87 W	2	30	2	50	12057 81	1	31.34	1705	204	-78 W	4	30	2	50
12018 81	1	24.34	1704	296	-57 W	9	60	1	90	12058 81	1	31.34	1705	204	-36 W	9	40	2	200
12019 81	1	24.34	1704	296	- 9 W	5	50	2	150	12059 81	1	31.34	1705	204	+27 W	R	20	2	90
12020 81	1	24.34	1704	296	+ 3 W	7	30	2	110	12060 81	2	1.54	1705	8	+56 E	1	20	2	10
12021 81	1	24.34	1704	296	+32 W	8	50	1	80	12061 81	2	1.54	1705	8	+43 E	5	20	2	50
12022 81	1	24.34	1704	296	+49 W	3	30	2	50	12062 81	2	1.54	1705	8	+ 2 E	1	100	3	60
12023 81	1	25.37	1704	103	+51 E	16	100	2	320	12063 81	2	1.54	1705	8	-28 E	2	20	2	40
12024 81	1	25.37	1704	103	+32 E	8	30	2	150	12064 81	2	1.54	1705	8	-74 E	9	30	3	90
12025 81	1	25.37	1704	103	-13 E	12	50	3	150	12065 81	2	1.54	1705	188	-82 W	6	20	2	50
12026 81	1	25.37	1704	103	-75 E	14	30	2	130	12066 81	2	1.54	1705	188	+ 5 W	4	30	3	80
12027 81	1	25.37	1704	233	-82 W	12	40	2	140	12067 81	2	1.54	1705	188	+27 W	2	40	2	70
12028 81	1	25.37	1704	233	-29 W	10	20	2	130	12068 81	2	2.45	1705	356	+87 E	1	60	3	40
12029 81	1	25.37	1704	283	-13 W	1	50	1	30	12069 81	2	2.45	1705	356	+20 E	6	60	3	280
12030 81	1	25.37	1704	233	+13 W	3	30	2	70	12070 81	2	2.45	1705	356	+ 4 E	7	80	3	110

TABLE 1 CONTINUED

TABLE 1 CONTINUED

12071 81	2	2.45	1705	356	-13 E	3	110	3	180	12111 81	2	12.35	1705	225	+35 E	60	1	10
12072 81	2	2.45	1705	356	-34 E	11	20	2	200	12112 81	2	12.35	1705	225	+16 E	1	40	1
12073 81	2	2.45	1705	356	-76 E	8	50	3	120	12113 81	2	12.35	1705	225	-32 E	8	60	2
12074 81	2	2.45	1705	176	-81 W	5	50	3	110	12114 81	2	12.35	1705	45	-86 W	11	40	2
12075 81	2	2.45	1705	176	-74 W	1	30	2	20	12115 81	2	12.35	1705	45	-72 W	4	20	2
12076 81	2	2.45	1705	176	-49 W	1	10	1	10	12116 81	2	12.35	1705	45	-59 W	2	60	2
12077 81	2	2.45	1705	176	-33 W	13	80	2	150	12117 81	2	12.35	1705	45	- 8 W	6	80	1
12078 81	2	2.45	1705	176	+ 5 W	3	30	2	50	12118 81	2	12.35	1705	45	+23 W	1	40	1
12079 81	2	2.45	1705	176	+32 W	11	90	3	140	12119 81	2	16.29	1705	173	+35 E	2	30	2
12080 81	2	3.56	1705	341	+77 E	1	10	1	10	12120 81	2	16.29	1705	173	+27 E	3	60	2
12081 81	2	3.56	1705	341	+43 E	1	10	1	10	12121 81	2	16.29	1705	173	+ 6 E	8	30	2
12082 81	2	3.56	1705	341	+21 E	13	30	1	70	12122 81	2	16.29	1705	173	- 4 E	3	10	1
12083 81	2	3.56	1705	341	-12 E	10	90	2	130	12123 81	2	16.29	1705	173	-37 E	8	40	2
12084 81	2	3.56	1705	341	-38 E	11	80	2	110	12124 81	2	16.29	1705	173	-83 E	15	50	2
12085 81	2	3.56	1705	341	-77 F	5	50	2	100	12125 81	2	16.29	1705	353	-76 W	4	40	2
12086 81	2	3.56	1705	161	-82 W	6	40	2	60	12126 81	2	16.29	1705	353	-48 W	1	20	2
12087 81	2	3.56	1705	161	-74 W	1	10	1	10	12127 81	2	16.29	1705	353	-38 W	7	50	2
12088 81	2	3.56	1705	161	-39 W	1	30	1	20	12128 81	2	16.29	1705	353	-13 W	10	90	1
12089 81	2	3.56	1705	161	-30 W	1	30	1	20	12129 81	2	16.29	1705	353	+10 W	2	20	1
12090 81	2	3.56	1705	161	-17 W	1	100	3	360	12130 81	2	16.29	1705	353	+22 W	14	120	2
12091 81	2	3.56	1705	161	+24 W	80	2	2	30	12131 81	2	17.57	1705	157	+40 E	10	50	2
12092 81	2	3.56	1705	161	+38 W	4	70	2	50	12132 81	2	17.57	1705	157	+29 E	4	100	1
12093 81	2	6.38	1705	304	+ 8 E	2	80	1	180	12133 81	2	17.57	1705	157	-13 E	4	40	2
12094 81	2	6.38	1705	304	-20 E	1	60	1	50	12134 81	2	17.57	1705	157	-24 E	2	10	2
12095 81	2	6.38	1705	304	-81 E	2	10	1	20	12135 81	2	17.57	1705	157	-38 E	1	10	2
12096 81	2	6.38	1705	124	-85 W	9	40	1	40	12136 81	2	17.57	1705	337	-78 W	6	50	2
12097 81	2	6.38	1705	124	-72 W	5	20	1	70	12137 81	2	17.57	1705	337	-42 W	3	20	2
12098 81	2	6.38	1705	124	-45 W	4	20	1	30	12138 81	2	17.57	1705	337	-15 W	9	50	1
12099 81	2	6.38	1705	124	- 5 W	6	60	1	60	12139 81	2	17.57	1705	337	+ 2 W	8	70	1
12100 81	2	6.38	1705	124	+33 W	4	60	1	70	12140 81	2	17.57	1705	337	+24 W	5	70	2
12101 81	2	11.52	1705	236	+44 E	4	20	2	40	12141 81	2	21.36	1705	106	+25 E	5	30	2
12102 81	2	11.52	1705	236	+18 E	1	30	1	20	12142 81	2	21.36	1705	106	+ 4 E	2	10	2
12103 81	2	11.52	1705	236	- 7 E	1	10	1	10	12143 81	2	21.36	1705	106	- 1 E	4	30	2
12104 81	2	11.52	1705	236	-29 E	8	80	2	270	12144 81	2	21.36	1705	106	-14 E	2	30	2
12105 81	2	11.52	1705	56	-86 W	18	50	2	290	12145 81	2	21.36	1705	106	-50 E	2	30	2
12106 81	2	11.52	1705	56	-45 W	7	30	1	70	12146 81	2	21.36	1705	286	-88 W	7	30	2
12107 81	2	11.52	1705	56	- 6 W	2	70	2	80	12147 81	2	21.36	1705	286	-77 W	7	40	2
12108 81	2	11.52	1705	56	+19 W	6	80	2	60	12148 81	2	21.36	1705	286	-48 W	7	30	2
12109 81	2	11.52	1705	56	+42 W	2	60	2	60	12149 81	2	21.36	1705	286	-18 W	1	30	1
12110 81	2	12.35	1705	225	+42 E	6	40	1	60	12150 81	2	21.36	1705	286	0 W	11	50	2

TABLE 1 CONTINUED

TABLE 1 CONTINUED

12151 81	2	21.36	1705	286	+33 W	6	30	2	160	12191 81	3	2.33	1706	348	+30 E	4	30	2	40
12152 81	2	21.36	1705	286	+58 W	5	50	2	150	12192 81	3	2.33	1706	348	-2 E	5	40	3	70
12153 81	2	25.32	1706	54	+55 E	5	50	2	190	12193 81	3	2.33	1706	348	-36 E	1	30	3	20
12154 81	2	25.32	1706	54	+44 E	2	10	2	20	12194 81	3	2.33	1706	168	-88 W	13	100	3	160
12155 81	2	25.32	1706	54	+32 E	2	20	2	30	12195 81	3	2.33	1706	168	-71 W	4	30	3	50
12156 81	2	25.32	1706	54	-9 E	15	100	1	140	12196 81	3	2.33	1706	168	-71 W	4	30	2	60
12157 81	2	25.32	1706	54	-40 E	8	20	1	50	12197 81	3	2.33	1706	168	+34 W	2	30	2	40
12158 81	2	25.32	1706	54	-50 E	2	20	2	30	12198 81	3	2.33	1706	168	+46 W	4	20	2	40
12159 81	2	25.32	1706	54	-89 E	30	60	2	850	12199 81	3	5.29	1706	309	+1 E	7	120	3	580
12160 81	2	25.32	1706	234	-37 W	5	30	2	80	12200 81	3	5.29	1706	309	-44 E	9	40	2	110
12161 81	2	25.32	1706	234	+7 W	1	100	1	70	12201 81	3	5.29	1706	309	-69 E	5	100	3	70
12162 81	2	25.32	1706	234	+26 W	21	50	2	270	12202 81	3	5.29	1706	309	-89 E	20	3	10	
12163 81	2	26.31	1706	41	+58 E	12	50	2	140	12203 81	3	5.29	1706	129	-70 W	7	20	2	70
12164 81	2	26.31	1706	41	+45 E	8	80	2	150	12204 81	3	5.29	1706	129	-24 W	4	30	3	90
12165 81	2	26.31	1706	41	+13 E	3	10	1	30	12205 81	3	5.29	1706	129	+5 W	9	70	3	560
12166 81	2	26.31	1706	41	-19 E	5	20	2	90	12206 81	3	5.29	1706	129	+30 W	1	40	2	40
12167 81	2	26.31	1706	41	-57 E	4	30	2	70	12207 81	3	5.29	1706	129	+51 W	1	10	1	10
12168 81	2	26.31	1706	41	-88 E	29	40	2	540	12208 81	3	5.29	1706	129	+64 W	1	10	1	10
12169 81	2	26.31	1706	221	-28 W	4	40	2	100	12209 81	3	6.44	1706	294	+4 E	3	80	1	90
12170 81	2	26.31	1706	221	+38 W	1	20	2	20	12210 81	3	6.44	1706	294	-16 E	4	60	1	60
12171 81	2	26.31	1706	221	+48 W	1	20	2	20	12211 81	3	6.44	1706	294	-79 E	1	10	1	10
12172 81	2	27.39	1706	27	+45 E	3	20	1	60	12212 81	3	6.44	1706	114	-89 W	1	10	1	10
12173 81	2	27.39	1706	27	+38 E	1	50	1	20	12213 81	3	6.44	1706	114	-81 W	1	10	1	10
12174 81	2	27.39	1706	27	-14 E	6	60	1	120	12214 81	3	6.44	1706	114	+39 W	1	20	1	20
12175 81	2	27.39	1706	27	-73 E	8	40	2	120	12215 81	3	6.44	1706	114	+42 W	1	70	1	20
12176 81	2	27.39	1706	27	-86 E	2	30	2	30	12216 81	3	7.42	1706	281	+50 E	8	20	2	50
12177 81	2	27.39	1706	207	-80 W	3	40	2	60	12217 81	3	7.42	1706	281	+28 E	4	20	2	50
12178 81	2	27.39	1706	207	-28 W	3	60	2	70	12218 81	3	7.42	1706	281	+12 E	1	20	2	20
12179 81	3	1.46	1706	0	+83 E	1	20	2	20	12219 81	3	7.42	1706	281	-14 E	8	60	3	70
12180 81	3	1.46	1706	0	+70 E	3	20	2	30	12220 81	3	7.42	1706	281	-85 E	8	30	2	50
12181 81	3	1.46	1706	0	+15 E	11	40	3	90	12221 81	3	7.42	1706	101	-77 W	8	20	2	40
12182 81	3	1.46	1706	0	+8 E	5	50	3	40	12222 81	3	7.42	1706	101	-63 W	2	30	3	60
12183 81	3	1.46	1706	0	-6 E	1	30	2	20	12223 81	3	7.42	1706	101	-10 W	4	90	3	90
12184 81	3	1.46	1706	0	-19 E	1	20	2	30	12224 81	3	7.42	1706	101	+25 W	1	10	1	10
12185 81	3	1.46	1706	0	-54 E	1	10	1	10	12225 81	3	7.42	1706	101	+48 W	3	40	2	40
12186 81	3	1.46	1706	0	-72 E	14	80	3	230	12226 81	3	14.46	1706	188	+54 E	2	170	3	320
12187 81	3	1.46	1706	130	-88 W	5	30	3	60	12227 81	3	14.46	1706	188	+20 E	11	120	3	70
12188 81	3	1.46	1706	180	-18 W	3	10	1	20	12228 81	3	14.46	1706	188	+2 E	6	60	2	60
12189 81	3	1.46	1706	180	+35 W	27	30	3	280	12229 81	3	14.46	1706	188	-84 E	6	30	3	60
12190 81	3	1.46	1706	180	+60 W	1	20	1	10	12230 81	3	14.46	1706	8	-81 W	2	10	2	20

TABLE 1 CONTINUED

TABLE 1 CONTINUED

12231 81	3	14.46	1706	8	-70 W	1	10	2	10	12271 81	3	22.27	1707	265	+43 W	38	60	2	570
12232 81	3	14.46	1706	8	-52 W	2	30	2	30	12272 81	3	28.52	1707	2	+10 E	18	70	2	500
12233 81	3	14.46	1706	8	-42 W	2	40	2	30	12273 81	3	28.52	1707	2	+45 E	2	40	2	50
12234 81	3	14.46	1706	8	-19 W	1	70	3	60	12274 81	3	28.52	1707	2	+74 E	5	20	2	40
12235 81	3	14.46	1706	8	-6 W	1	10	1	10	12275 81	3	28.52	1707	182	-82 W	14	70	2	380
12236 81	3	14.46	1706	8	+2 W	1	40	2	30	12276 81	3	28.52	1707	182	+2 W	10	80	2	180
12237 81	3	14.46	1706	8	+9 W	1	20	2	20	12277 81	3	28.52	1707	182	+16 W	5	60	1	60
12238 81	3	14.46	1706	8	+31 W	2	20	2	40	12278 81	3	28.52	1707	182	+23 W	6	20	2	90
12239 81	3	14.46	1706	8	+75 W	20	1	10	10	12279 81	3	29.29	1707	352	+53 E	3	20	2	30
12240 81	3	20.33	1706	111	+45 E	6	40	2	150	12280 81	3	29.29	1707	352	+35 E	5	120	1	240
12241 81	3	20.33	1706	111	-12 E	4	20	2	50	12281 81	3	29.29	1707	352	0 E	1	50	2	50
12242 81	3	20.33	1706	111	-77 E	8	30	2	140	12282 81	3	29.29	1707	172	-89 W	26	60	2	560
12243 81	3	20.33	1706	291	-75 W	2	30	2	50	12283 81	3	29.29	1707	172	-43 W	2	20	2	40
12244 81	3	20.33	1706	291	-35 W	10	30	2	70	12284 81	3	29.29	1707	172	-17 W	6	40	2	50
12245 81	3	20.33	1706	291	-19 W	3	30	2	60	12285 81	3	29.29	1707	172	-1 W	2	50	2	50
12246 81	3	20.33	1706	291	-9 W	8	40	2	110	12286 81	3	29.29	1707	172	+9 W	1	40	2	30
12247 81	3	20.33	1706	291	+12 W	1	70	1	100	12287 81	3	29.29	1707	172	+18 W	1	30	2	60
12248 81	3	20.33	1706	291	+37 W	7	50	2	190	12288 81	3	29.29	1707	172	+27 W	7	30	2	80
12249 81	3	20.33	1706	291	+55 W	2	50	2	50	12289 81	3	30.34	1707	338	+24 E	3	20	2	50
12250 81	3	21.30	1706	98	+56 E	2	20	2	40	12290 81	3	30.34	1707	338	-10 E	23	50	2	260
12251 81	3	21.30	1706	98	+44 E	8	90	2	370	12291 81	3	30.34	1707	338	-33 E	3	20	2	40
12252 81	3	21.30	1706	98	+29 E	1	20	2	30	12292 81	3	30.34	1707	158	-89 W	23	60	2	650
12253 81	3	21.30	1706	98	+2 E	10	20	2	100	12293 81	3	30.34	1707	158	-27 W	4	20	2	50
12254 81	3	21.30	1706	98	-18 E	10	40	2	160	12294 81	3	30.34	1707	158	+15 W	8	100	2	260
12255 81	3	21.30	1706	98	-47 E	100	1	110	100	12295 81	3	30.34	1707	158	+28 W	4	40	2	70
12256 81	3	21.30	1706	98	-76 E	8	50	2	150	12296 81	4	2.25	1707	300	+21 E	18	60	1	160
12257 81	3	21.30	1706	278	-78 W	2	50	2	70	12297 81	4	2.25	1707	300	-13 E	15	40	2	150
12258 81	3	21.30	1706	278	-38 W	1	30	1	60	12298 81	4	2.25	1707	300	-75 E	2	20	2	30
12259 81	3	21.30	1706	278	-9 W	6	50	2	130	12299 81	4	2.25	1707	120	-34 W	2	20	2	30
12260 81	3	21.30	1706	278	+30 W	10	60	2	340	12300 81	4	2.25	1707	120	+20 W	15	40	2	100
12261 81	3	21.30	1706	278	+52 W	16	50	2	170	12301 81	4	2.25	1707	120	+62 W	1	20	1	30
12262 81	3	22.27	1707	85	+59 E	2	30	2	30	12302 81	4	3.23	1707	287	+23 E	18	70	2	180
12263 81	3	22.27	1707	85	+44 E	3	40	2	50	12303 81	4	3.23	1707	287	-7 E	9	40	2	200
12264 81	3	22.27	1707	85	+29 E	2	50	1	50	12304 81	4	3.23	1707	107	-40 W	9	30	2	80
12265 81	3	22.27	1707	85	-13 E	5	100	2	220	12305 81	4	3.23	1707	107	-14 W	4	20	2	80
12266 81	3	22.27	1707	85	-52 E	6	60	2	130	12306 81	4	3.23	1707	107	+2 W	1	30	1	20
12267 81	3	22.27	1707	85	-73 E	7	50	2	220	12307 81	4	3.23	1707	107	+9 W	2	10	1	20
12268 81	3	22.27	1707	265	-78 W	2	60	2	70	12308 81	4	3.23	1707	107	+18 W	1	50	1	50
12269 81	3	22.27	1707	265	-24 W	1	60	2	100	12309 81	4	3.23	1707	107	+24 W	2	20	1	20
12270 81	3	22.27	1707	265	-11 W	4	30	2	30	12310 81	4	3.23	1707	107	+32 W	3	40	1	40

TABLE 1 CONTINUED

TABLE 1 CONTINUED

12311 81	4	3.23	1707	107	+60 W	1	30	2	30	12351 81	4	12.24	1707	348	-49 W	5	50	2	70	
12312 81	4	6.22	1707	248	+28 E	12	100	3	290	12352 81	4	12.24	1707	348	-18 W	6	30	2	140	
12313 81	4	6.22	1707	248	-5 E	12	50	2	410	12353 81	4	12.24	1707	348	+8 W	14	60	2	170	
12314 81	4	6.22	1707	68	-78 W	5	30	1	40	12354 81	4	12.24	1707	348	+22 W	2	40	2	90	
12315 81	4	6.22	1707	68	-20 W	31	60	2	460	12355 81	4	12.24	1707	348	+36 W	2	30	2	60	
12316 81	4	6.22	1707	68	+2 W	8	30	2	130	12356 81	4	12.24	1707	348	+47 W	3	40	2	40	
12317 81	4	6.22	1707	68	+34 W	5	30	2	80	12357 81	4	12.24	1707	348	+55 W	1	50	2	50	
12318 81	4	6.22	1707	68	+56 W	3	20	1	30	12358 81	4	13.30	1707	154	+27 E	5	40	2	70	
12319 81	4	7.22	1707	234	+23 E	5	20	2	40	12359 81	4	13.30	1707	154	+3 E	1	30	2	40	
12320 81	4	7.22	1707	234	-6 E	9	40	2	190	12360 81	4	13.30	1707	334	-78 W	5	40	2	60	
12321 81	4	7.22	1707	54	-49 W	3	40	2	50	12361 81	4	13.30	1707	334	+2 W	2	10	2	20	
12322 81	4	7.22	1707	54	-38 W	2	40	2	30	12362 81	4	13.30	1707	334	+25 W	2	50	2	60	
12323 81	4	7.22	1707	54	-14 W	1	50	2	70	12363 81	4	13.30	1707	334	+48 W	5	50	2	90	
12324 81	4	7.22	1707	54	+34 W	2	30	2	30	12364 81	4	14.24	1707	142	+20 E	3	50	1	50	
12325 81	4	7.22	1707	54	+59 W	2	10	2	20	12365 81	4	14.24	1707	142	-3 E	15	50	1	100	
12326 81	4	8.30	1707	220	+28 E	6	20	2	80	12366 81	4	14.24	1707	142	-34 E	10	30	2	90	
12327 81	4	8.30	1707	220	-33 E	6	20	2	90	12367 81	4	14.24	1707	322	-80 W	10	20	2	80	
12328 81	4	8.30	1707	40	-53 W	3	40	2	90	12368 81	4	14.24	1707	322	-38 W	3	20	2	50	
12329 81	4	8.30	1707	40	-17 W	1	70	2	90	12369 81	4	14.24	1707	322	-29 W	3	40	2	80	
12330 81	4	11.28	1707	181	+61 E	6	40	2	170	12370 81	4	14.24	1707	322	-2 W	3	40	2	60	
12331 81	4	11.28	1707	181	+42 E	6	40	1	40	12371 81	4	14.24	1707	322	+17 W	24	80	1	260	
12332 81	4	11.28	1707	181	+25 E	10	40	1	60	12372 81	4	15.58	1707	124	+52 E	1	60	1	50	
12333 81	4	11.28	1707	181	-4 E	10	60	2	170	12373 81	4	15.58	1707	124	+28 E	4	30	2	80	
12334 81	4	11.28	1707	181	-45 E	1	40	1	40	12374 81	4	15.58	1707	124	-9 E	4	80	1	100	
12335 81	4	11.28	1707	181	-77 E	1	20	1	20	12375 81	4	15.58	1707	124	-79 E	12	30	2	140	
12336 81	4	11.28	1707	1	-80 W	11	20	2	80	12376 81	4	15.58	1707	304	-89 W	3	20	2	40	
12337 81	4	11.28	1707	1	-47 W	2	20	2	30	12377 81	4	15.58	1707	304	-40 W	2	20	2	40	
12338 81	4	11.28	1707	1	-30 W	4	50	2	50	12378 81	4	15.58	1707	304	-33 W	3	50	3	90	
12339 81	4	11.28	1707	1	+2 W	2	20	2	30	12379 81	4	15.58	1707	304	-18 W	10	50	2	110	
12340 81	4	11.28	1707	1	+22 W	1	20	1	10	12380 81	4	15.58	1707	304	+18 W	15	70	2	120	
12341 81	4	11.28	1707	1	+34 W	1	50	2	90	12381 81	4	17.24	1707	102	+42 E	3	20	2	40	
12342 81	4	11.28	1707	1	+53 W	6	80	2	130	12382 81	4	17.24	1707	102	+28 E	5	30	2	70	
12343 81	4	12.24	1707	168	+61 E	6	40	2	100	12383 81	4	17.24	1707	102	-52 E	7	30	2	160	
12344 81	4	12.24	1707	168	+35 E	3	30	1	40	12384 81	4	17.24	1707	102	-83 E	6	10	2	30	
12345 81	4	12.24	1707	168	+19 E	1	10	2	10	12385 81	4	17.24	1707	282	-80 W	5	20	2	50	
12346 81	4	12.24	1707	168	+13 E	1	20	2	20	12386 81	4	17.24	1707	282	-41 W	3	20	2	30	
12347 81	4	12.24	1707	168	-10 E	1	40	1	50	12387 81	4	17.24	1707	282	-23 W	4	30	2	60	
12348 81	4	12.24	1707	168	-44 E	1	60	2	80	12388 81	4	17.24	1707	282	+42 W	110	1	40	2	40
12349 81	4	12.24	1707	168	-76 E	4	10	2	40	12389 81	4	19.22	1708	76	+46 E	7	40	2	140	
12350 81	4	12.24	1707	348	-78 W	10	20	2	150	12390 81	4	19.22	1708	76	+32 E	1	50	2	40	

TABLE 1 CONTINUED

12391 81	4	19.22	1708	76	-25 E	6	50	2	230	12431 81	5	2.33	1708	83	+41 W	2	50	2	60
12392 81	4	19.22	1708	76	-51 E	3	20	2	40	12432 81	5	2.33	1708	83	+52 W	4	30	2	90
12393 81	4	19.22	1708	256	-80 W	4	20	2	50	12433 81	5	3.22	1708	251	+38 E	8	60	1	90
12394 81	4	19.22	1708	256	-28 W	60	1	60		12434 81	5	3.22	1708	251	-18 E	15	50	2	290
12395 81	4	19.22	1708	256	+28 W	9	30	2	150	12435 81	5	3.22	1708	251	-82 E	15	30	2	250
12396 81	4	21.24	1708	49	+61 E	3	40	2	50	12436 81	5	3.22	1708	71	0 W	8	20	2	90
12397 81	4	21.24	1708	49	+41 E	6	50	1	50	12437 81	5	3.22	1708	71	+18 W	110	1	100	
12398 81	4	21.24	1708	49	+22 E	21	110	1	150	12438 81	5	3.22	1708	71	+29 W	80	2	110	
12399 81	4	21.24	1708	49	-2 E	4	20	2	70	12439 81	5	3.22	1708	71	+56 W	8	20	2	110
12400 81	4	21.24	1708	49	-24 E	9	30	2	190	12440 81	5	9.24	1708	172	+38 E	12	50	2	180
12401 81	4	21.24	1708	49	-37 E	3	20	2	40	12441 81	5	9.24	1708	172	+23 E	5	30	2	60
12402 81	4	21.24	1708	49	-48 E	5	40	2	80	12442 81	5	9.24	1708	172	-10 E	11	30	2	130
12403 81	4	21.24	1708	49	-79 E	11	30	2	180	12443 81	5	9.24	1708	172	-33 E	4	20	2	40
12404 81	4	21.24	1708	229	-80 W	3	20	2	40	12444 81	5	9.24	1708	172	-83 E	10	50	2	130
12405 81	4	21.24	1708	229	+17 W	140	1	60		12445 81	5	9.24	1708	352	-53 W	5	30	2	90
12406 81	4	21.24	1708	229	+32 W	6	50	2	120	12446 81	5	9.24	1708	352	-34 W	2	20	2	30
12407 81	4	22.23	1708	36	-48 E	7	40	2	110	12447 81	5	9.24	1708	352	-22 W	10	50	2	150
12408 81	4	22.23	1708	36	-79 E	10	30	2	100	12448 81	5	9.24	1708	352	-5 W	3	20	2	50
12409 81	4	22.23	1708	216	-84 W	9	30	2	80	12449 81	5	9.24	1708	352	+58 W	3	30	2	60
12410 81	4	22.23	1708	216	-33 W	6	30	2	80	12450 81	5	10.32	1708	158	+42 E	5	40	2	130
12411 81	4	22.23	1708	216	+30 W	6	40	2	100	12451 81	5	10.32	1708	158	+26 E	13	40	2	220
12412 81	4	24.21	1708	10	+33 E	6	30	2	80	12452 81	5	10.32	1708	158	+9 E	3	30	2	80
12413 81	4	24.21	1708	10	+12 E	21	90	3	710	12453 81	5	10.32	1708	158	-82 E	6	50	2	180
12414 81	4	24.21	1708	10	-36 F	2	20	2	30	12454 81	5	10.32	1708	338	-78 W	2	10	2	20
12415 81	4	24.21	1708	10	-48 E	1	10	1	10	12455 81	5	10.32	1708	338	-55 W	5	40	2	90
12416 81	4	24.21	1708	10	-77 E	9	40	2	120	12456 81	5	10.32	1708	338	-35 W	1	10	2	10
12417 81	4	24.21	1708	170	-85 W	15	50	2	290	12457 81	5	10.32	1708	338	-24 W	1	60	1	30
12418 81	4	24.21	1708	170	-36 W	5	30	2	70	12458 81	5	10.32	1708	338	-10 W	7	40	1	50
12419 81	4	24.21	1708	170	-1 W	12	40	2	140	12459 81	5	10.32	1708	338	+3 W	2	60	1	100
12420 81	4	24.21	1708	170	+25 W	10	30	2	140	12460 81	5	10.32	1708	338	+16 W	11	100	1	110
12421 81	4	24.21	1708	170	+53 W	5	60	2	90	12461 81	5	10.32	1708	338	+59 W	3	50	2	80
12422 81	4	26.31	1708	342	+28 E	2	50	2	70	12462 81	5	19.19	1708	40	+58 E	6	40	2	100
12423 81	4	26.31	1708	342	+13 E	1	40	2	50	12463 81	5	19.19	1708	40	+36 E	2	30	2	50
12424 81	4	26.31	1708	162	+3 W	4	50	2	80	12464 81	5	19.19	1708	40	+12 E	1	30	2	40
12425 81	5	2.33	1708	253	+75 F	9	40	2	110	12465 81	5	19.19	1708	40	-18 E	11	30	2	80
12426 81	5	2.33	1708	263	-22 E	12	40	2	230	12466 81	5	19.19	1708	40	-35 E	6	40	3	140
12427 81	5	2.33	1708	263	-85 E	19	50	2	270	12467 81	5	19.19	1708	40	-45 E	1	30	2	30
12428 81	5	2.33	1708	33	-14 W	2	20	2	40	12468 81	5	19.19	1708	220	-76 W	2	60	3	60
12429 81	5	2.33	1708	33	+7 W	1	130	1	120	12469 81	5	19.19	1708	220	-31 W	2	40	2	40
12430 81	5	2.33	1708	33	+29 W	3	30	2	60	12470 81	5	19.19	1708	220	+8 W	4	30	2	50

TABLE 1 CONTINUED

12471 81	5	19.19	1709	220	+18 W	1	10	1	10	12511 81	6	4.27	1709	188	-1 E	2	50	2	60
12472 81	5	19.19	1709	220	+34 W	2	30	2	60	12512 81	6	4.27	1709	188	-11 E	9	50	1	90
12473 81	5	19.19	1709	220	+40 W	1	10	1	10	12513 81	6	4.27	1709	188	-23 E	1	50	1	30
12474 81	5	19.19	1709	220	+47 W	1	10	1	10	12514 81	6	4.27	1709	188	-29 E	4	30	1	70
12475 81	5	21.18	1709	14	+57 E	7	60	3	170	12515 81	6	4.27	1709	188	-80 E	6	60	2	160
12476 81	5	21.18	1709	14	+13 E	1	10	1	10	12516 81	6	4.27	1709	8	-29 W	4	40	2	110
12477 81	5	21.18	1709	14	-1 E	3	10	1	30	12517 81	6	4.27	1709	8	-15 W	6	70	2	200
12478 81	5	21.18	1709	14	-17 E	3	30	2	80	12518 81	6	4.27	1709	8	-2 W	4	10	2	40
12479 81	5	21.18	1709	14	-31 E	4	80	3	160	12519 81	6	4.27	1709	8	+17 W	7	100	2	390
12480 81	5	21.18	1709	14	-41 E	3	20	2	20	12520 81	6	4.27	1709	8	+50 W	3	50	1	60
12481 81	5	21.18	1709	14	-83 E	6	30	2	50	12521 81	6	11.57	1709	92	+34 E	1	60	2	60
12482 81	5	21.18	1709	194	-77 W	1	30	2	40	12522 81	6	11.57	1709	92	+10 E	6	50	2	60
12483 81	5	21.18	1709	194	-29 W	8	10	1	30	12523 81	6	11.57	1709	92	-11 E	2	10	2	20
12484 81	5	21.18	1709	194	-17 W	2	10	1	20	12524 81	6	11.57	1709	92	-17 E	1	10	2	10
12485 81	5	21.18	1709	194	-3 W	6	20	1	30	12525 81	6	11.57	1709	92	-37 E	4	30	2	60
12486 81	5	21.18	1709	194	+41 W	8	30	3	130	12526 81	6	11.57	1709	272	-88 W	18	40	2	110
12487 81	5	21.18	1709	194	+56 W	2	30	2	40	12527 81	6	11.57	1709	272	-19 W	8	20	2	70
12488 81	5	22.23	1709	0	+58 E	3	50	3	110	12528 81	6	11.57	1709	272	+19 W	9	20	2	60
12489 81	5	22.23	1709	0	+25 E	1	30	2	20	12529 81	6	11.57	1709	272	+31 W	1	10	2	10
12490 81	5	22.23	1709	0	+13 E	9	50	3	130	12530 81	6	12.25	1710	83	+58 E	1	50	1	30
12491 81	5	22.23	1709	0	-15 E	13	50	3	200	12531 81	6	12.25	1710	83	+35 E	2	30	2	40
12492 81	5	22.23	1709	0	-36 E	2	40	2	50	12532 81	6	12.25	1710	83	+12 E	4	70	2	140
12493 81	5	22.23	1709	0	-53 E	1	30	2	30	12533 81	6	12.25	1710	83	-38 E	2	30	2	40
12494 81	5	22.23	1709	0	-84 E	1	30	2	30	12534 81	6	12.25	1710	83	-49 E	1	10	2	10
12495 81	5	22.23	1709	130	-75 W	2	40	2	50	12535 81	6	12.25	1710	263	-80 W	2	30	2	60
12496 81	5	22.23	1709	180	-35 W	12	40	2	90	12536 81	6	12.25	1710	263	+20 W	2	40	2	60
12497 81	5	22.23	1709	180	-10 W	16	60	3	320	12537 81	6	13.39	1710	68	+57 E	2	50	1	50
12498 81	5	22.23	1709	180	+35 W	20	30	3	200	12538 81	6	13.39	1710	68	+48 E	1	30	1	30
12499 81	5	22.23	1709	130	+56 W	1	40	2	20	12539 81	6	13.39	1710	68	+11 E	2	40	2	60
12500 81	6	3.19	1709	202	+48 E	1	20	2	20	12540 81	6	13.39	1710	68	-82 E	2	30	2	50
12501 81	6	3.19	1709	202	+16 E	9	60	1	90	12541 81	6	13.39	1710	248	-81 W	2	30	2	40
12502 81	6	3.19	1709	202	-33 E	1	50	2	60	12542 81	6	13.39	1710	248	-75 W	2	40	2	30
12503 81	6	3.19	1709	202	-83 E	19	60	2	200	12543 81	6	13.39	1710	248	-30 W	10	40	2	150
12504 81	6	3.19	1709	22	-45 W	6	50	2	80	12544 81	6	13.39	1710	248	-10 W	3	50	2	80
12505 81	6	3.19	1709	22	-26 W	11	30	2	130	12545 81	6	13.39	1710	248	+18 W	4	40	2	70
12506 81	6	3.19	1709	22	-13 W	3	40	2	70	12546 81	6	15.53	1710	40	+47 E	6	40	1	120
12507 81	6	3.19	1709	22	-3 W	2	20	2	30	12547 81	6	15.53	1710	40	+22 E	1	100	2	140
12508 81	6	3.19	1709	22	+22 W	16	100	2	50	12548 81	6	15.53	1710	40	-3 E	6	40	2	110
12509 81	6	3.19	1709	202	+82 E	1	30	2	30	12549 81	6	15.53	1710	40	-20 E	6	30	2	110
12510 81	6	4.27	1709	138	+23 E	11	20	2	160	12550 81	6	15.53	1710	40	-32 E	6	60	2	110

TABLE 1 CONTINUED

TABLE 1 CONTINUED

TABLE 1 CONTINUED

12551 81	6	15.53	1710	40	-88 E	3	20	2	30	12591 81	6	28.21	1710	52	-70 W	1	10	2	30
12552 81	6	15.53	1710	220	-77 W	8	30	2	40	12592 81	6	28.21	1710	52	-31 W	3	20	2	30
12553 81	6	15.53	1710	220	-36 W	8	30	2	120	12593 81	6	28.21	1710	52	-16 W	5	50	2	50
12554 81	6	15.53	1710	220	-13 W	2	20	2	40	12594 81	7	2.17	1710	180	+45 E	1	20	2	20
12555 81	6	15.53	1710	220	-1 W	2	30	2	60	12595 81	7	2.17	1710	180	+16 F	14	40	3	390
12556 81	6	21.19	1710	325	+58 E	3	40	2	50	12596 81	7	2.17	1710	180	-20 E	8	20	2	60
12557 81	6	21.19	1710	325	+9 E	1	50	3	40	12597 81	7	2.17	1710	180	-31 E	2	20	2	70
12558 81	6	21.19	1710	325	-9 E	4	60	3	30	12598 81	7	2.17	1710	0	-28 W	3	70	3	80
12559 81	6	21.19	1710	325	-55 E	1	10	1	10	12599 81	7	2.17	1710	0	-8 W	1	60	2	50
12560 81	6	21.19	1710	145	-52 W	1	30	2	20	12600 81	7	2.17	1710	0	+28 W	1	60	2	50
12561 81	6	21.19	1710	145	+8 W	11	50	3	150	12601 81	7	14.31	1711	20	+42 E	8	20	2	50
12562 81	6	21.19	1710	145	+32 W	6	20	2	40	12602 81	7	14.31	1711	20	+20 E	10	30	2	50
12563 81	6	21.19	1710	145	+39 W	1	20	2	10	12603 81	7	14.31	1711	20	+2 E	15	50	3	210
12564 81	6	21.19	1710	145	+52 W	2	20	2	20	12604 81	7	14.31	1711	20	-25 E	1	10	1	10
12565 81	6	23.35	1710	296	+62 F	2	40	2	40	12605 81	7	14.31	1711	20	-34 E	3	30	2	40
12566 81	6	23.35	1710	296	+26 E	1	90	3	20	12606 81	7	14.31	1711	20	-55 E	5	40	3	80
12567 81	6	23.35	1710	296	+13 E	7	00	3	80	12607 81	7	14.31	1711	200	-26 W	1	20	1	10
12568 81	6	23.35	1710	296	-4 E	10	50	3	230	12608 81	7	17.25	1711	341	+22 E	1	20	2	20
12569 81	6	23.35	1710	296	-16 E	1	20	3	20	12609 81	7	17.25	1711	341	-9 E	6	30	2	40
12570 81	6	23.35	1710	296	-24 E	6	20	3	60	12610 81	7	17.25	1711	341	-30 E	3	10	2	20
12571 81	6	23.35	1710	290	-88 E	1	30	2	20	12611 81	7	17.25	1711	341	-50 E	7	30	3	50
12572 81	6	23.35	1710	110	-40 W	2	20	2	20	12612 81	7	17.25	1711	341	-86 E	2	10	2	20
12573 81	6	23.35	1710	110	-30 W	2	30	3	50	12613 81	7	17.25	1711	161	-39 W	2	30	2	30
12574 81	6	23.35	1710	110	+12 W	1	10	2	10	12614 81	7	17.25	1711	161	-10 W	5	30	3	70
12575 81	6	23.35	1710	110	+23 W	10	60	3	220	12615 81	7	17.25	1711	161	+28 W	1	20	1	20
12576 81	6	24.20	1710	235	+66 E	3	40	2	50	12616 81	7	17.25	1711	161	+47 W	14	100	3	560
12577 81	6	24.20	1710	235	+26 E	1	20	2	20	12617 81	7	23.31	1711	261	+41 E	1	20	1	10
12578 81	6	24.20	1710	235	+17 E	3	10	1	20	12618 81	7	23.31	1711	261	+26 E	8	10	2	30
12579 81	6	24.20	1710	235	-1 E	10	60	3	190	12619 81	7	23.31	1711	31	-47 W	4	50	2	150
12580 81	6	24.20	1710	235	-14 E	1	20	2	20	12620 81	7	23.31	1711	31	-9 W	3	80	2	160
12581 81	6	24.20	1710	235	-83 E	1	30	2	20	12621 81	7	23.31	1711	31	+11 W	1	30	1	20
12582 81	6	24.20	1710	105	-47 W	2	10	2	20	12622 81	7	23.31	1711	31	+30 W	4	80	3	130
12583 81	6	24.20	1710	105	-38 W	1	20	2	10	12623 81	7	27.18	1711	210	+62 E	1	10	1	10
12584 81	6	24.20	1710	105	-16 W	1	100	3	90	12624 81	7	27.18	1711	210	+48 E	12	80	3	240
12585 81	6	24.20	1710	105	-7 W	5	40	2	50	12625 81	7	27.18	1711	210	+19 E	12	20	1	20
12586 81	6	24.20	1710	105	+21 W	6	130	3	140	12626 81	7	27.18	1711	210	-10 E	10	20	2	90
12587 81	6	24.20	1710	105	+50 W	2	30	2	30	12627 81	7	27.18	1711	210	-35 E	3	50	2	70
12588 81	6	28.21	1710	232	+65 E	1	30	2	20	12628 81	7	27.18	1711	30	-78 W	7	30	2	90
12589 81	6	28.21	1710	232	-1 E	5	20	2	50	12629 81	7	27.18	1711	30	-44 W	5	140	3	210
12590 81	6	28.21	1710	232	-33 E	8	30	2	50	12630 81	7	27.18	1711	30	-20 W	4	20	2	40

TABLE 1 CONTINUED

TABLE 1 CONTINUED

12631 81	7	27.18	1711	30	- 7 W	2	20	1	20	12671 81	8	5.26	1712	270	-50 W	6	50	1	90
12632 81	7	27.18	1711	30	+ 1 W	1	20	1	20	12672 81	8	5.26	1712	270	-37 W	4	40	2	70
12633 81	7	27.18	1711	30	+ 4 W	1	10	1	10	12673 81	8	5.26	1712	270	-12 W	6	20	2	80
12634 81	7	27.18	1711	30	+21 W	2	10	1	20	12674 81	8	5.26	1712	270	+ 1 W	5	80	2	90
12635 81	7	27.18	1711	30	+33 W	1	20	1	20	12675 81	8	6.23	1712	77	-13 F	14	60	2	580
12636 81	7	27.18	1711	30	+50 W	6	10	2	50	12676 81	8	6.23	1712	77	-37 E	3	40	2	80
12637 81	7	27.18	1711	30	+62 W	8	80	2	90	12677 81	8	6.23	1712	77	-47 E	3	20	2	50
12638 81	7	31.17	1711	157	+42 E	6	40	2	60	12678 81	8	6.23	1712	257	-39 W	16	50	2	200
12639 81	7	31.17	1711	157	+ 7 E	5	10	2	50	12679 81	8	6.23	1712	257	-10 W	7	80	1	60
12640 81	7	31.17	1711	157	-14 E	18	100	3	200	12680 81	8	7.24	1712	64	+45 E	3	50	1	50
12641 81	7	31.17	1711	157	-56 E	1	40	2	40	12681 81	8	7.24	1712	64	+27 E	5	30	2	40
12642 81	7	31.17	1711	157	-78 E	2	40	2	40	12682 81	8	7.24	1712	64	-12 E	13	70	2	490
12643 81	7	31.17	1711	337	-85 W	2	40	2	50	12683 81	8	7.24	1712	244	-18 W	24	40	2	570
12644 81	7	31.17	1711	337	+ 3 W	5	30	3	70	12684 81	8	7.24	1712	244	+21 W	1	30	1	30
12645 81	7	31.17	1711	337	+22 W	2	80	3	80	12685 81	8	7.24	1712	244	+42 W	1	40	1	30
12646 81	7	31.17	1711	337	+69 W	1	60	2	40	12686 81	8	8.17	1712	52	+54 E	7	190	1	120
12647 81	8	1.18	1711	144	+51 E	9	40	2	120	12687 81	8	8.17	1712	52	+23 E	4	40	1	60
12648 81	8	1.18	1711	144	+37 E	9	50	2	200	12688 81	8	8.17	1712	52	+22 E	1	40	2	40
12649 81	8	1.18	1711	144	+17 E	4	20	2	50	12689 81	8	8.17	1712	52	- 3 E	22	150	1	250
12650 81	8	1.18	1711	144	+ 3 E	6	40	2	80	12690 81	8	8.17	1712	232	-15 W	26	70	2	830
12651 81	8	1.18	1711	144	-15 E	2	10	1	20	12691 81	8	8.17	1712	232	+10 W	1	20	2	30
12652 81	8	1.18	1711	324	- 4 W	2	46	2	50	12692 81	8	14.21	1712	332	+29 E	10	50	2	150
12653 81	8	1.18	1711	324	+18 W	2	90	2	50	12693 81	8	14.21	1712	332	- 5 E	15	120	1	120
12654 81	8	2.36	1711	128	+41 E	22	60	2	360	12694 81	8	14.21	1712	332	-22 E	2	30	1	30
12655 81	8	2.36	1711	128	0 E	4	60	2	80	12695 81	8	14.21	1712	332	-35 F	10	30	2	110
12656 81	8	2.36	1711	308	+21 W	1	40	2	40	12696 81	8	14.21	1712	152	- 3 W	29	50	2	340
12657 81	8	2.36	1711	308	+51 W	1	50	1	30	12697 81	8	16.21	1712	305	+26 E	5	40	2	90
12658 81	8	3.38	1711	115	+41 E	11	50	2	120	12698 81	8	16.21	1712	305	-25 E	37	170	1	260
12659 81	8	3.38	1711	115	- 3 E	6	60	2	130	12699 81	8	16.21	1712	305	-51 E	7	30	2	110
12660 81	8	3.38	1711	115	-30 E	2	30	2	50	12700 81	8	16.21	1712	125	-47 W	15	30	2	220
12661 81	8	3.38	1711	295	- 9 W	1	50	1	50	12701 81	8	16.21	1712	125	-32 W	3	30	2	50
12662 81	8	3.38	1711	295	+23 W	1	50	1	40	12702 81	8	16.21	1712	125	-13 W	21	110	1	170
12663 81	8	4.40	1711	101	+23 E	2	40	2	50	12703 81	8	16.21	1712	125	+15 W	8	40	2	110
12664 81	8	4.40	1711	101	-10 E	4	80	1	60	12704 81	8	16.21	1712	125	+28 W	3	50	2	130
12665 81	8	4.40	1711	101	-33 E	5	40	2	80	12705 81	8	16.21	1712	125	+44 W	12	70	2	210
12666 81	8	4.40	1711	281	- 9 W	15	90	2	350	12706 81	8	19.32	1712	264	+60 E	3	40	2	80
12667 81	8	4.40	1711	281	+46 W	12	60	1	130	12707 81	8	19.32	1712	264	+40 E	10	80	2	130
12668 81	8	5.26	1712	90	+22 E	11	60	2	140	12708 81	8	19.32	1712	264	- 4 F	16	60	2	190
12669 81	8	5.26	1712	90	-17 E	17	80	2	350	12709 81	8	19.32	1712	264	-47 E	8	110	1	110
12670 81	8	5.26	1712	90	-35 E	6	40	2	130	12710 81	8	19.32	1712	84	-28 W	37	140	1	410

TABLE 1 CONTINUED

12711 81	8	19.32	1712	84	+29 W	9	40	2	200	12751 81	9	8.24	1713	182	-30 W	4	100	1	60
12712 81	8	22.21	1712	226	+60 E	10	40	2	140	12752 81	9	8.24	1713	182	-14 W	4	30	1	40
12713 81	8	22.21	1712	226	+29 E	9	30	2	80	12753 81	9	8.24	1713	182	+8 W	11	30	2	140
12714 81	8	22.21	1712	226	-10 E	34	110	2	1150	12754 81	9	9.35	1713	347	+35 E	8	90	2	130
12715 81	8	22.21	1712	46	-16 W	8	30	2	100	12755 81	9	9.35	1713	347	+24 E	2	20	2	40
12716 81	8	22.21	1712	46	+9 W	12	70	2	70	12756 81	9	9.35	1713	347	+12 E	4	40	2	90
12717 81	8	22.21	1712	46	+30 W	10	50	2	80	12757 81	9	9.35	1713	347	-1 E	2	40	1	40
12718 81	8	31.25	1712	107	+40 E	7	40	2	190	12758 81	9	9.35	1713	347	-11 E	1	50	1	40
12719 81	8	31.25	1712	287	-37 W	21	120	1	560	12759 81	9	9.35	1713	347	-25 E	3	20	1	30
12720 81	8	31.25	1712	287	+22 W	4	30	1	60	12760 81	9	9.35	1713	167	-29 W	7	60	2	80
12721 81	9	4.24	1713	54	+45 E	1	30	1	20	12761 81	9	9.35	1713	167	-6 W	9	80	1	110
12722 81	9	4.24	1713	54	+21 E	7	40	2	130	12762 81	9	13.22	1713	296	+62 E	4	40	1	30
12723 81	9	4.24	1713	54	+6 E	9	50	2	60	12763 81	9	13.22	1713	296	+35 E	8	130	2	110
12724 81	9	4.24	1713	54	-14 E	13	60	2	390	12764 81	9	13.22	1713	296	-1 E	17	80	1	120
12725 81	9	4.24	1713	54	-52 E	3	60	2	90	12765 81	9	13.22	1713	296	-29 E	10	130	1	120
12726 81	9	4.24	1713	234	-83 W	2	30	1	50	12766 81	9	13.22	1713	296	-44 E	2	30	2	60
12727 81	9	4.24	1713	234	-42 W	1	20	1	20	12767 81	9	13.22	1713	116	-48 W	12	60	1	120
12728 81	9	4.24	1713	234	-28 W	2	30	2	50	12768 81	9	13.22	1713	116	-19 W	1	130	1	150
12729 81	9	4.24	1713	234	-8 W	16	50	2	490	12769 81	9	13.22	1713	116	+22 W	10	90	1	110
12730 81	9	4.24	1713	234	+35 W	11	50	2	310	12770 81	9	13.22	1713	116	+45 W	2	20	2	30
12731 81	9	5.24	1713	41	+41 E	5	40	2	60	12771 81	9	16.43	1713	233	+48 E	15	90	2	520
12732 81	9	5.24	1713	41	+22 E	3	20	2	50	12772 81	9	16.43	1713	233	-20 E	3	30	2	80
12733 81	9	5.24	1713	41	+1 E	1	20	2	20	12773 81	9	16.43	1713	233	-36 E	3	10	1	20
12734 81	9	5.24	1713	41	-11 E	2	10	2	20	12774 81	9	16.43	1713	233	-47 E	2	70	2	120
12735 81	9	5.24	1713	41	-22 E	2	20	1	30	12775 81	9	16.43	1713	73	-38 W	15	80	2	330
12736 81	9	5.24	1713	41	-52 E	2	30	2	40	12776 81	9	16.43	1713	73	-14 W	4	130	3	120
12737 81	9	5.24	1713	221	-84 W	1	30	1	20	12777 81	9	16.43	1713	73	-3 W	2	20	2	20
12738 81	9	5.24	1713	221	-26 W	2	30	2	40	12778 81	9	16.43	1713	73	+24 W	6	70	2	210
12739 81	9	5.24	1713	221	-20 W	4	50	2	100	12779 81	9	18.26	1713	229	+50 E	2	10	3	140
12740 81	9	5.24	1713	221	+2 W	5	20	2	70	12780 81	9	18.26	1713	229	+15 E	2	10	1	20
12741 81	9	5.24	1713	221	+37 W	10	90	3	420	12781 81	9	18.26	1713	229	-4 E	10	80	2	250
12742 81	9	7.32	1713	14	+44 E	1	30	1	20	12782 81	9	18.26	1713	229	-25 E	4	30	2	80
12743 81	9	7.32	1713	14	+35 E	1	20	1	20	12783 81	9	18.26	1713	229	-40 E	2	50	3	70
12744 81	9	7.32	1713	14	-3 E	3	20	2	40	12784 81	9	18.26	1713	229	-52 E	1	60	2	30
12745 81	9	7.32	1713	14	-12 E	1	40	1	40	12785 81	9	18.26	1713	49	-49 W	5	90	2	140
12746 81	9	7.32	1713	194	-37 W	6	90	1	100	12786 81	9	18.26	1713	49	-38 W	1	30	2	20
12747 81	9	7.32	1713	194	-13 W	6	90	2	80	12787 81	9	18.26	1713	49	-20 W	1	50	2	20
12748 81	9	8.24	1713	2	+40 E	2	20	2	20	12788 81	9	18.26	1713	49	-11 W	4	20	2	60
12749 81	9	8.24	1713	2	-5 E	6	50	2	90	12789 81	9	18.26	1713	49	+8 W	7	40	2	60
12750 81	9	8.24	1713	2	-21 E	3	30	2	50	12790 81	9	18.26	1713	49	+32 W	14	80	3	530

TABLE 1 CONTINUED

TABLE 1 CONTINUED

12791 81	9	19.28	1713	216	-24 E	8	30	1	50	12831 81	9	27.35	1713	109	+32 E	14	190	3	390
12792 81	9	19.28	1713	216	-64 E	7	20	1	30	12832 81	9	27.35	1713	109	-19 E	7	60	2	90
12793 81	9	19.28	1713	36	-11 W	9	30	1	70	12833 81	9	27.35	1713	109	-39 E	5	60	3	120
12794 81	9	19.28	1713	36	+67 W	8	20	1	40	12834 81	9	27.35	1713	289	-42 W	7	50	2	120
12795 81	9	21.50	1713	186	+18 E	17	50	2	330	12835 81	9	27.35	1713	289	-32 W	1	20	1	10
12796 81	9	21.50	1713	186	-1 E	1	50	2	50	12836 81	9	27.35	1713	289	+16 W	1	40	2	20
12797 81	9	21.50	1713	186	-41 E	5	80	2	120	12837 81	9	27.35	1713	289	+36 W	2	40	2	70
12798 81	9	21.50	1713	186	-54 E	2	40	2	30	12838 81	9	28.31	1713	97	+40 E	8	60	2	90
12799 81	9	21.50	1713	6	-22 W	3	30	2	50	12839 81	9	28.31	1713	97	+18 E	2	80	2	70
12800 81	9	21.50	1713	6	-2 W	10	30	2	40	12840 81	9	28.31	1713	97	-38 E	18	50	2	280
12801 81	9	22.25	1713	177	+25 E	2	20	2	30	12841 81	9	28.31	1713	97	-62 E	2	30	1	40
12802 81	9	22.25	1713	177	+9 E	12	50	2	230	12842 81	9	28.31	1713	277	-47 W	1	20	2	10
12803 81	9	22.25	1713	177	-2 E	3	50	2	70	12843 81	9	28.31	1713	277	-32 W	7	30	2	90
12804 81	9	22.25	1713	177	-21 E	15	50	1	50	12844 81	9	28.31	1713	277	-3 W	1	10	1	10
12805 81	9	22.25	1713	177	-47 E	4	70	2	110	12845 81	9	28.31	1713	277	+16 W	1	50	2	20
12806 81	9	22.25	1713	357	-54 W	3	40	2	50	12846 81	9	28.31	1713	277	+55 W	7	90	2	190
12807 81	9	22.25	1713	357	-19 W	7	30	2	80	12847 81	10	12.29	1714	272	+54 E	10	40	2	240
12808 81	9	22.25	1713	357	+36 W	4	60	2	100	12848 81	10	12.29	1714	272	+29 E	4	30	2	100
12809 81	9	23.24	1713	164	+19 E	6	30	2	40	12849 81	10	12.29	1714	272	-8 E	7	20	1	130
12810 81	9	23.24	1713	164	-6 E	10	90	2	130	12850 81	10	12.29	1714	272	-30 E	8	50	2	210
12811 81	9	23.24	1713	164	-48 E	3	90	2	70	12851 81	10	12.29	1714	272	-42 E	5	30	2	90
12812 81	9	23.24	1713	344	-51 W	1	60	2	40	12852 81	10	12.29	1714	92	-49 W	3	40	2	70
12813 81	9	23.24	1713	344	-15 W	2	20	2	30	12853 81	10	12.29	1714	92	-29 W	21	70	2	270
12814 81	9	23.24	1713	344	+39 W	2	120	2	80	12854 81	10	12.29	1714	92	0 W	3	20	2	60
12815 81	9	24.32	1713	149	+36 E	5	30	2	80	12855 81	10	20.59	1714	163	+20 E	1	60	1	100
12816 81	9	24.32	1713	149	+5 E	2	20	1	20	12856 81	10	20.59	1714	163	+2 E	1	40	2	40
12817 81	9	24.32	1713	149	-2 E	1	10	1	10	12857 81	10	20.59	1714	163	-18 E	12	100	2	360
12818 81	9	24.32	1713	149	-12 E	3	30	2	50	12858 81	10	20.59	1714	163	-42 E	5	30	2	110
12819 81	9	24.32	1713	149	-27 E	2	20	2	30	12859 81	10	20.59	1714	343	-35 W	15	90	2	390
12820 81	9	24.32	1713	149	-52 E	3	50	2	70	12860 81	10	20.59	1714	343	-17 W	1	60	2	80
12821 81	9	24.32	1713	329	-50 W	3	40	2	90	12861 81	10	20.59	1714	343	+12 W	3	40	1	80
12822 81	9	26.25	1713	124	+42 E	14	50	2	230	12862 81	10	20.59	1714	343	+26 W	4	20	2	50
12823 81	9	26.25	1713	124	-2 E	14	50	2	250	12863 81	10	20.59	1714	343	+38 W	6	30	2	100
12824 81	9	26.25	1713	124	-34 E	4	50	2	110	12864 81	11	4.48	1715	326	+25 E	9	30	2	130
12825 81	9	26.25	1713	304	-47 W	2	30	1	50	12865 81	11	4.48	1715	326	+14 E	1	10	1	10
12826 81	9	26.25	1713	304	-32 W	4	20	2	30	12866 81	11	4.48	1715	326	+2 E	5	70	3	140
12827 81	9	26.25	1713	304	+4 W	1	10	1	10	12867 81	11	4.48	1715	326	-13 E	21	160	3	300
12828 81	9	26.25	1713	304	+14 W	1	10	1	10	12868 81	11	4.48	1715	146	-30 W	25	90	3	220
12829 81	9	26.25	1713	304	+32 W	2	70	2	100	12869 81	11	4.48	1715	146	+36 W	2	20	2	30
12830 81	9	27.35	1713	109	+50 E	7	30	2	40	12870 81	11	4.48	1715	146	+60 W	4	10	2	20

TABLE 1 CONTINUED

12871	81	11	5.54	1715	312	+38 E	4	20	2	50	12911	82	1	13.38	1717	123	+41 E	1	20	2	20
12872	81	11	5.54	1715	312	+4 E	3	20	2	30	12912	82	1	13.38	1717	123	-22 E	8	70	3	130
12873	81	11	5.54	1715	312	-10 E	10	30	2	60	12913	82	1	13.38	1717	123	-39 E	10	30	3	190
12874	81	11	5.54	1715	312	-22 E	6	110	2	110	12914	82	1	13.38	1717	123	-52 E	8	30	3	100
12875	81	11	5.54	1715	312	-38 E	3	70	1	70	12915	82	1	13.38	1717	303	-56 W	2	10	2	20
12876	81	11	5.54	1715	312	-63 E	4	40	2	30	12916	82	1	13.38	1717	303	-4 W	4	50	2	60
12877	81	11	5.54	1715	312	-71 W	1	30	1	20	12917	82	1	13.38	1717	303	+22 W	21	80	3	480
12878	81	11	5.54	1715	132	-43 W	1	50	2	20	12918	82	1	16.46	1718	83	+42 E	11	50	3	240
12879	81	11	5.54	1715	132	+9 W	3	20	1	40	12919	82	1	16.46	1718	83	+29 E	1	10	1	10
12880	81	11	5.54	1715	132	+16 W	5	30	1	90	12920	82	1	16.46	1718	83	+24 E	1	70	2	80
12881	81	12	20.29	1717	81	+38 E	1	20	2	20	12921	82	1	16.46	1718	83	+14 E	4	40	2	60
12882	81	12	20.29	1717	81	+22 E	1	10	1	10	12922	82	1	16.46	1718	83	+5 E	1	40	1	10
12883	81	12	20.29	1717	81	-12 E	8	20	2	110	12923	82	1	16.46	1718	83	-1 E	4	40	1	10
12884	81	12	20.29	1717	261	-39 W	2	110	3	170	12924	82	1	16.46	1718	83	-15 E	1	10	1	10
12885	81	12	20.29	1717	261	-11 W	6	50	2	60	12925	82	1	16.46	1718	83	-21 E	1	10	1	10
12886	81	12	20.29	1717	261	+12 W	1	20	2	20	12926	82	1	16.46	1718	83	-34 E	5	50	2	90
12887	81	12	20.29	1717	261	+42 W	11	20	2	60	12927	82	1	16.46	1718	83	-47 E	4	40	2	60
12888	81	12	21.31	1717	68	+46 E	1	10	1	10	12928	82	1	16.46	1718	263	-47 W	1	10	1	10
12889	81	12	21.31	1717	68	+39 E	2	30	2	40	12929	82	1	16.46	1718	263	-4 W	15	50	2	280
12890	81	12	21.31	1717	68	+2 E	1	30	1	20	12930	82	1	17.58	1718	68	+41 E	19	100	3	250
12891	81	12	21.31	1717	248	-43 W	2	50	2	100	12931	82	1	17.58	1718	68	+21 E	3	20	2	30
12892	81	12	21.31	1717	248	+35 W	1	30	2	30	12932	82	1	17.58	1718	68	+19 E	4	10	2	30
12893	81	12	21.31	1717	248	+48 W	2	30	2	50	12933	82	1	17.58	1718	68	-35 E	11	70	3	160
12894	81	12	24.43	1717	27	+35 E	2	40	2	80	12934	82	1	17.58	1718	68	-53 E	4	50	2	120
12895	81	12	24.43	1717	27	+1 E	3	60	3	40	12935	82	1	17.58	1718	248	-44 W	1	10	1	10
12896	81	12	24.43	1717	27	-10 E	1	70	3	30	12936	82	1	17.58	1718	248	-2 W	6	120	3	490
12897	81	12	24.43	1717	27	-29 E	18	50	3	370	12937	82	1	17.58	1718	248	+35 W	6	30	2	60
12898	81	12	24.43	1717	27	-46 E	1	10	1	10	12938	82	1	18.34	1718	58	+40 E	5	30	2	70
12899	81	12	24.43	1717	207	-31 W	10	70	2	160	12939	82	1	18.34	1718	58	+26 E	5	10	1	30
12900	81	12	24.43	1717	207	+31 W	1	60	2	50	12940	82	1	18.34	1718	58	+12 E	1	10	1	10
12901	81	12	24.43	1717	207	+50 W	1	30	2	30	12941	82	1	18.34	1718	58	+1 E	1	10	1	10
12902	82	1	10.35	1717	163	+48 E	5	30	2	80	12942	82	1	18.34	1718	58	-6 E	1	10	1	10
12903	82	1	10.35	1717	163	+15 E	1	10	1	10	12943	82	1	18.34	1718	58	-16 E	1	10	1	10
12904	82	1	10.35	1717	163	+8 E	8	20	2	60	12944	82	1	18.34	1718	238	-43 W	4	30	2	80
12905	82	1	10.35	1717	163	-31 E	1	50	3	60	12945	82	1	18.34	1718	238	-12 W	14	30	2	110
12906	82	1	10.35	1717	343	-52 W	7	20	2	80	12946	82	1	18.34	1718	238	+16 W	1	10	1	10
12907	82	1	10.35	1717	343	+2 W	1	20	2	20	12947	82	1	18.34	1718	238	+37 W	5	20	2	40
12908	82	1	10.35	1717	343	+12 W	1	30	2	20	12948	82	1	19.32	1718	45	+32 E	1	10	1	10
12909	82	1	10.35	1717	343	+22 W	3	20	3	60	12949	82	1	19.32	1718	45	+29 E	5	20	2	50
12910	82	1	10.35	1717	343	+33 W	2	10	2	20	12950	82	1	19.32	1718	45	-1 E	2	20	2	40

TABLE 1 CONTINUED

TABLE 1 CONTINUED

TABLE 1 CONTINUED

12951 82	1	19.32	1718	45	-38 E	5	30	2	40	12991 82	1	23.43	1718	351	+10 E	28	1	10	
12952 82	1	19.32	1718	45	-52 E	4	10	1	10	12992 82	1	23.43	1718	351	-1 E	10	40	3	110
12953 82	1	19.32	1718	225	-44 W	3	10	2	20	12993 82	1	23.43	1718	351	-11 E	3	70	3	80
12954 82	1	19.32	1718	225	-26 W	1	30	2	40	12994 82	1	23.43	1718	351	-35 E	8	70	3	390
12955 82	1	19.32	1718	225	-12 W	6	20	2	90	12995 82	1	23.43	1718	351	-53 E	4	30	2	40
12956 82	1	19.32	1718	225	+3 W	1	20	1	20	12996 82	1	23.43	1718	171	-56 W	5	20	2	30
12957 82	1	19.32	1718	225	+39 W	3	10	2	30	12997 82	1	23.43	1718	171	-41 W	4	30	2	70
12958 82	1	20.34	1718	32	+30 E	4	20	2	30	12998 82	1	23.43	1718	171	-12 W	6	20	2	30
12959 82	1	20.34	1718	32	+11 E	1	10	2	10	12999 82	1	23.43	1718	171	+13 W	10	60	2	110
12960 82	1	20.34	1718	32	-23 E	1	30	2	30	13000 82	1	23.43	1718	171	+15 W	2	10	2	20
12961 82	1	20.34	1718	32	-40 E	15	90	3	690	13001 82	1	23.43	1718	171	+33 W	5	30	2	40
12962 82	1	20.34	1718	32	-60 E	1	10	2	10	13002 82	1	25.29	1718	326	+23 E	13	50	3	540
12963 82	1	20.34	1718	212	-48 W	4	10	2	30	13003 82	1	25.29	1718	326	-12 E	5	30	2	40
12964 82	1	20.34	1718	212	-40 W	1	10	2	10	13004 82	1	25.29	1718	146	-57 W	2	50	2	50
12965 82	1	20.34	1718	212	-23 W	1	10	1	10	13005 82	1	25.29	1718	146	-27 W	1	20	2	10
12966 82	1	20.34	1718	212	-14 W	1	10	1	10	13006 82	1	25.29	1718	146	-15 W	12	50	2	100
12967 82	1	20.34	1718	212	+38 W	5	20	2	40	13007 82	1	28.48	1718	284	+36 E	3	10	1	20
12968 82	1	21.31	1718	19	+36 E	3	10	2	30	13008 82	1	28.48	1718	284	+29 E	5	20	2	30
12969 82	1	21.31	1718	19	-29 E	2	20	2	40	13009 82	1	28.48	1718	284	-10 E	11	90	3	90
12970 82	1	21.31	1718	19	-42 E	25	120	3	940	13010 82	1	28.48	1718	284	-23 E	2	20	2	30
12971 82	1	21.31	1718	19	-64 E	1	10	2	10	13011 82	1	28.48	1718	284	-39 E	16	100	3	470
12972 82	1	21.31	1718	199	-52 W	1	10	1	10	13012 82	1	28.48	1718	104	-66 W	3	20	2	30
12973 82	1	21.31	1718	199	-43 W	1	10	1	10	13013 82	1	28.48	1718	104	-57 W	1	20	2	20
12974 82	1	21.31	1718	199	-21 W	1	10	1	10	13014 82	1	28.48	1718	104	-46 W	2	50	2	50
12975 82	1	21.31	1718	199	-8 W	5	40	2	60	13015 82	1	28.48	1718	104	-35 W	1	10	1	10
12976 82	1	21.31	1718	199	+35 W	7	40	3	220	13016 82	1	28.48	1718	104	-26 W	8	30	2	90
12977 82	1	22.32	1718	5	+51 E	3	20	2	40	13017 82	1	28.48	1718	104	+3 W	1	50	2	20
12978 82	1	22.32	1718	5	+32 E	4	20	2	20	13018 82	1	28.48	1718	104	+35 W	15	80	3	410
12979 82	1	22.32	1718	5	+10 E	1	40	2	30	13019 82	2	2.56	1718	217	+38 E	14	70	2	590
12980 82	1	22.32	1718	5	-14 E	8	30	3	70	13020 82	2	2.56	1718	217	+1 E	60	1	40	
12981 82	1	22.32	1718	5	-34 E	2	120	3	440	13021 82	2	2.56	1718	217	-12 E	5	60	1	80
12982 82	1	22.32	1718	5	-54 E	3	10	2	20	13022 82	2	2.56	1718	217	-48 E	11	20	2	90
12983 82	1	22.32	1718	185	-58 W	1	10	1	10	13023 82	2	3.29	1718	207	+28 E	4	10	2	40
12984 82	1	22.32	1718	185	-48 W	2	10	1	10	13024 82	2	3.29	1718	207	-8 E	12	100	3	280
12985 82	1	22.32	1718	185	-11 W	1	30	2	10	13025 82	2	3.29	1718	207	-47 E	6	20	2	70
12986 82	1	22.32	1718	185	-3 W	1	10	1	10	13026 82	2	3.29	1718	27	-45 W	4	10	1	30
12987 82	1	22.32	1718	185	+5 W	2	10	2	20	13027 82	2	4.28	1718	194	+32 E	3	10	2	30
12988 82	1	22.32	1718	185	+12 W	1	10	1	10	13028 82	2	4.28	1718	194	-1 E	24	60	2	250
12989 82	1	22.32	1718	185	+32 W	4	40	2	100	13029 82	2	4.28	1718	194	-57 E	2	40	1	110
12990 82	1	23.43	1718	351	+17 E	5	30	2	40	13030 82	2	4.28	1718	14	-32 W	5	10	2	50

TABLE 1 CONTINUED

TABLE 1 CONTINUED

13031 82	2	4.28	1718	14	-5 W	4	30	2	80	13071 82	2	15.37	1719	228	-43 W	6	10	2	60
13032 82	2	4.28	1718	14	+27 W	10	10	2	70	13072 82	2	15.37	1719	228	-11 W	16	50	2	150
13033 82	2	5.30	1718	181	+39 E	1	20	2	20	13073 82	2	15.37	1719	228	+10 W	3	10	2	60
13034 82	2	5.30	1718	181	+22 E	15	40	2	160	13074 82	2	15.37	1719	228	+29 W	3	10	2	30
13035 82	2	5.30	1718	181	-5 E	20	50	2	130	13075 82	2	15.37	1719	228	+35 W	4	10	2	40
13036 82	2	5.30	1718	181	-26 E	2	10	1	20	13076 82	2	15.37	1719	228	+46 W	8	10	2	90
13037 82	2	5.30	1718	181	-54 E	2	20	2	60	13077 82	2	16.31	1719	36	+28 W	1	10	1	10
13038 82	2	5.30	1718	1	-40 W	18	30	2	160	13078 82	2	16.31	1719	36	+18 E	1	10	1	10
13039 82	2	5.30	1718	1	-8 W	3	50	2	210	13079 82	2	16.31	1719	36	+1 E	3	10	1	20
13040 82	2	5.30	1718	1	+27 W	12	60	2	140	13080 82	2	16.31	1719	36	-34 E	2	10	2	20
13041 82	2	6.37	1718	167	+41 E	2	10	2	20	13081 82	2	16.31	1719	216	-43 W	5	20	2	70
13042 82	2	6.37	1718	167	+23 E	23	40	2	380	13082 82	2	16.31	1719	216	-3 W	27	50	3	260
13043 82	2	6.37	1718	167	-23 E	8	30	2	100	13083 82	2	17.28	1719	23	+41 E	1	10	2	10
13044 82	2	6.37	1718	167	-43 E	18	30	2	160	13084 82	2	17.28	1719	23	+35 E	5	40	3	100
13045 82	2	6.37	1718	347	-43 W	9	30	2	120	13085 82	2	17.28	1719	23	+25 E	4	30	2	40
13046 82	2	6.37	1718	347	-12 W	7	40	1	130	13086 82	2	17.28	1719	23	+19 E	1	10	1	10
13047 82	2	6.37	1718	347	+14 W	18	80	1	210	13087 82	2	17.28	1719	23	+14 E	2	20	2	20
13048 82	2	10.31	1718	115	+50 E	2	30	2	40	13088 82	2	17.28	1719	23	+2 E	1	20	2	10
13049 82	2	10.31	1718	115	-18 E	15	70	2	450	13089 82	2	17.28	1719	23	-8 E	12	10	2	60
13050 82	2	10.31	1718	115	-36 E	1	20	2	40	13090 82	2	17.28	1719	23	-43 E	5	10	2	30
13051 82	2	10.31	1718	295	-59 W	2	10	2	20	13091 82	2	17.28	1719	203	-45 W	4	20	3	40
13052 82	2	10.31	1718	295	-55 W	2	10	2	20	13092 82	2	17.28	1719	203	-20 W	2	20	2	30
13053 82	2	10.31	1718	295	-21 W	8	20	2	40	13093 82	2	17.28	1719	203	-13 W	4	30	2	60
13054 82	2	10.31	1718	295	-2 W	10	40	2	120	13094 82	2	17.28	1719	203	-4 W	1	20	1	20
13055 82	2	10.31	1718	295	+15 W	6	30	2	100	13095 82	2	17.28	1719	203	+3 W	9	10	2	30
13056 82	2	10.31	1718	295	+31 W	6	40	2	100	13096 82	2	17.28	1719	203	+35 W	4	10	2	20
13057 82	2	13.38	1719	74	+57 E	1	30	1	60	13097 82	2	17.28	1719	203	+48 W	6	40	3	50
13058 82	2	13.38	1719	74	+38 E	6	70	3	210	13098 82	2	18.32	1719	9	+34 E	1	40	3	60
13059 82	2	13.38	1719	74	-13 E	13	40	2	220	13099 82	2	18.32	1719	9	+1 E	23	30	3	260
13060 82	2	13.38	1719	74	-57 E	3	20	2	50	13100 82	2	18.32	1719	9	-15 E		20	2	10
13061 82	2	13.38	1719	254	-39 W	4	10	2	50	13101 82	2	18.32	1719	9	-40 E	23	50	3	340
13062 82	2	13.38	1719	254	-26 W	3	10	2	40	13102 82	2	18.32	1719	189	-48 W	2	30	2	60
13063 82	2	13.38	1719	254	+19 W	2	10	2	30	13103 82	2	18.32	1719	189	-16 W	2	10	2	20
13064 82	2	14.34	1719	62	+38 E	1	120	2	250	13104 82	2	18.32	1719	189	-6 W	1	30	2	10
13065 82	2	14.34	1719	62	0 E	2	10	2	20	13105 82	2	18.32	1719	189	+6 W	1	10	1	10
13066 82	2	14.34	1719	62	-18 E	3	10	2	30	13106 82	2	18.32	1719	189	+16 W	6	10	2	50
13067 82	2	15.37	1719	48	+40 E		170	2	270	13107 82	2	18.32	1719	189	+34 W	2	20	2	20
13068 82	2	15.37	1719	48	+3 E	11	20	2	150	13108 82	2	18.32	1719	189	+50 W	2	10	1	10
13069 82	2	15.37	1719	48	-21 E	6	10	2	60	13109 82	2	19.28	1719	356	+38 E	9	30	2	50
13070 82	2	15.37	1719	228	-82 W	6	20	2	70	13110 82	2	19.28	1719	356	+3 E	20	30	3	210

TABLE 1 CONTINUED

13111 82	2	19.28	1719	356	-45 E	24	50	3	820	13151 82	3	3.32	1719	197	-43 E	1	20	1	20
13112 82	2	19.28	1719	176	-53 W	1	40	2	70	13152 82	3	3.32	1719	197	-59 E	3	20	1	30
13113 82	2	19.28	1719	176	-12 W	1	40	3	70	13153 82	3	3.32	1719	17	-3 W	3	10	2	30
13114 82	2	19.28	1719	176	+24 W	13	20	3	120	13154 82	3	3.32	1719	17	+8 W	1	30	1	30
13115 82	2	20.52	1719	340	+27 E	1	20	2	20	13155 82	3	3.32	1719	17	+12 W	3	10	1	30
13116 82	2	20.52	1719	340	-20 E	1	40	3	50	13156 82	3	3.32	1719	17	+42 W	1	40	1	30
13117 82	2	20.52	1719	340	-42 E	15	50	3	450	13157 82	3	6.47	1719	156	-11 E	5	30	2	90
13118 82	2	20.52	1719	160	-53 W	1	30	2	30	13158 82	3	6.47	1719	156	-20 E	4	20	2	50
13119 82	2	20.52	1719	160	-39 W	3	20	2	20	13159 82	3	6.47	1719	336	-41 W	4	60	2	310
13120 82	2	20.52	1719	160	-15 W	4	40	2	100	13160 82	3	6.47	1719	336	-18 W	1	30	2	50
13121 82	2	20.52	1719	160	+28 W	13	30	3	210	13161 82	3	7.29	1719	145	+33 E	5	20	2	60
13122 82	2	21.29	1719	330	+24 E	12	100	3	280	13162 82	3	7.29	1719	145	-38 E	11	20	1	90
13123 82	2	21.29	1719	330	-19 E	1	20	2	40	13163 82	3	7.29	1719	145	-59 E	1	10	1	10
13124 82	2	21.29	1719	330	-41 E	4	20	2	50	13164 82	3	7.29	1719	325	-63 W	4	70	2	260
13125 82	2	21.29	1719	150	-40 W	2	20	2	40	13165 82	3	7.29	1719	325	-31 W	1	10	1	10
13126 82	2	21.29	1719	150	-25 W	1	20	2	10	13166 82	3	7.29	1719	325	-18 W	9	20	1	60
13127 82	2	21.29	1719	150	+20 W	12	40	2	100	13167 82	3	8.29	1719	132	-35 E	6	10	1	40
13128 82	2	21.29	1719	150	+34 W	5	10	2	40	13168 82	3	8.29	1719	132	-60 E	6	40	1	50
13129 82	2	22.31	1719	316	+31 E	17	60	3	580	13169 82	3	8.29	1719	312	-48 W	9	70	2	110
13130 82	2	22.31	1719	316	+2 E	12	30	3	220	13170 82	3	8.29	1719	312	-17 W	4	30	2	40
13131 82	2	22.31	1719	316	-10 E		20	2	10	13171 82	3	8.29	1719	312	+7 W	8	40	2	110
13132 82	2	22.31	1719	316	-17 E	5	20	2	70	13172 82	3	8.29	1719	312	+15 W	80	1	50	
13133 82	2	22.31	1719	136	-35 W	9	10	2	50	13173 82	3	8.29	1719	312	+31 W	8	10	1	30
13134 82	2	22.31	1719	136	+8 W	1	20	1	20	13174 82	3	9.30	1719	119	+38 E	8	20	1	50
13135 82	2	22.31	1719	136	+49 W	7	20	2	70	13175 82	3	9.30	1719	119	+26 E	8	10	1	30
13136 82	2	25.37	1719	276	+41 E	2	30	2	40	13176 82	3	9.30	1719	119	+14 E	6	30	2	70
13137 82	2	25.37	1719	276	-1 E	1	30	2	40	13177 82	3	9.30	1719	119	-39 E	10	20	2	70
13138 82	2	25.37	1719	276	-36 E	1	30	2	30	13178 82	3	9.30	1719	119	-50 E	1	20	2	10
13139 82	2	25.37	1719	96	-59 W	2	10	2	20	13179 82	3	9.30	1719	119	-59 E	1	20	2	10
13140 82	2	25.37	1719	96	-33 W	2	10	2	20	13180 82	3	9.30	1719	299	-56 W	1	10	2	10
13141 82	2	25.37	1719	96	+8 W		80	2	110	13181 82	3	9.30	1719	299	-17 W	2	10	1	10
13142 82	2	28.38	1719	236	+5 E	2	10	1	10	13182 82	3	9.30	1719	299	+23 W	3	10	2	30
13143 82	2	28.38	1719	236	-9 E	4	40	2	110	13183 82	3	9.30	1719	299	+38 W	2	10	2	20
13144 82	2	28.38	1719	236	-33 E	7	40	2	150	13184 82	3	10.30	1719	105	+2 E	1	40	2	70
13145 82	2	28.38	1719	236	-60 E	7	30	2	70	13185 82	3	10.30	1719	105	-38 E	1	10	1	10
13146 82	2	28.38	1719	56	-40 W	5	20	2	50	13186 82	3	10.30	1719	105	-57 E	1	40	1	50
13147 82	2	28.38	1719	56	-3 W	6	10	1	20	13187 82	3	10.30	1719	285	-56 W	1	10	1	10
13148 82	3	3.32	1719	197	+41 E	9	30	2	160	13188 82	3	10.30	1719	285	-31 W	5	10	2	50
13149 82	3	3.32	1719	197	+25 E	1	20	2	20	13189 82	3	10.30	1719	285	-17 W	4	10	2	40
13150 82	3	3.32	1719	197	-13 E	2	50	1	60	13190 82	3	10.30	1719	285	-1 W	7	10	2	70

TABLE 1 CONTINUED

13191 82	3	10.30	1719	285	+18 W	4	30	1	30	1	30	1	30	1	30	1	50
13192 82	3	15.32	1720	39	-35 E	3	40	2	130								50
13193 82	3	15.32	1720	39	-56 E	1	10	2	10								150
13194 82	3	15.32	1720	219	-45 W	6	30	2	60								70
13195 82	3	15.32	1720	219	-20 W	9	20	2	70								90
13196 82	3	15.32	1720	219	+15 W	2	40	1	40								50
13197 82	3	15.32	1720	219	+37 W	7	20	2	50								140
13198 82	3	16.26	1720	27	+80 E	1	20	2	20								230
13199 82	3	16.26	1720	27	+59 E	4	30	1	40								80
13200 82	3	16.26	1720	27	-28 E	3	30	2	80								20
13201 82	3	16.26	1720	27	-59 E	6	20	2	70								80
13202 82	3	16.26	1720	207	-46 W	3	10	3	40								90
13203 82	3	16.26	1720	207	+33 W	6	40	1	90								50
13204 82	3	17.27	1720	13	+37 E	3	30	2	60								10
13205 82	3	17.27	1720	13	+7 E	1	40	2	50								50
13206 82	3	17.27	1720	13	-18 E	4	10	2	40								310
13207 82	3	17.27	1720	13	-48 E	15	40	1	180								30
13208 82	3	17.27	1720	193	-46 W	3	20	2	30								100
13209 82	3	17.27	1720	193	-11 W	3	30	1	40								50
13210 82	3	17.27	1720	193	+47 W	4	20	3	90								10
13211 82	3	21.39	1720	319	+23 E	12	70	2	150								80
13212 82	3	21.39	1720	319	-48 E	4	30	2	50								50
13213 82	3	21.39	1720	139	-52 W	1	10	2	10								60
13214 82	3	22.27	1720	307	+26 E	15	30	2	100								20
13215 82	3	22.27	1720	307	+12 E	4	20	2	50								50
13216 82	3	22.27	1720	307	+4 E	4	20	1	40								30
13217 82	3	22.27	1720	307	-13 E	9	20	1	60								70
13218 82	3	22.27	1720	307	-42 E	1	30	1	40								120
13219 82	3	22.27	1720	307	-50 E	4	10	2	40								30
13220 82	3	22.27	1720	307	-56 E	2	30	2	40								10
13221 82	3	23.29	1720	294	+29 E	4	30	2	90								50
13222 82	3	23.29	1720	294	+12 E	5	30	2	70								70
13223 82	3	23.29	1720	294	-6 E	3	10	2	30								130
13224 82	3	23.29	1720	294	-12 E	2	10	2	20								150
13225 82	3	23.29	1720	294	-53 E	10	30	2	90								70
13226 82	3	23.29	1720	114	-2 W	3	20	2	40								90
13227 82	3	23.29	1720	114	+17 W	1	20	2	20								60
13228 82	3	24.31	1720	280	+28 E	12	30	2	110								40
13229 82	3	24.31	1720	280	-6 E	12	30	2	110								30
13230 82	3	24.31	1720	280	-17 E	3	10	2	30								40
13231 82	3	24.31	1720	280													
13232 82	3	24.31	1720	280													
13233 82	3	24.31	1720	100													
13234 82	3	24.31	1720	100													
13235 82	3	24.31	1720	100													
13236 82	3	24.31	1720	100													
13237 82	3	26.61	1720	250	+41 E	13	20	2	140								230
13238 82	3	26.61	1720	250	-20 E	9	30	2	230								80
13239 82	3	26.61	1720	70	-55 W	4	40	2	80								20
13240 82	3	26.61	1720	70	-36 W	3	10	1	20								80
13241 82	3	26.61	1720	70	+36 W	7	30	2	80								90
13242 82	3	27.26	1720	241	+49 E	5	30	2	50								10
13243 82	3	27.26	1720	241	+40 E	4	30	2	50								10
13244 82	3	27.26	1720	241	+26 E	1	10	2	10								50
13245 82	3	27.26	1720	241	+18 E	5	10	2	50								310
13246 82	3	27.26	1720	241	-20 E	16	30	2	310								30
13247 82	3	27.26	1720	241	-59 E	6	10	2	30								100
13248 82	3	27.26	1720	61	-57 W	7	60	2	100								50
13249 82	3	27.26	1720	61	-27 W	5	30	2	50								10
13250 82	3	27.26	1720	61	+12 W	1	10	2	10								80
13251 82	3	27.26	1720	61	+31 W	13	20	2	80								50
13252 82	3	31.58	1720	184	+32 E	5	20	2	50								60
13253 82	3	31.58	1720	184	+23 E	4	30	2	60								20
13254 82	3	31.58	1720	184	+2 E	1	20	2	20								50
13255 82	3	31.58	1720	184	-10 E	8	10	2	50								70
13256 82	3	31.58	1720	184	-27 E	3	20	1	30								120
13257 82	3	31.58	1720	184	-48 E	6	20	2	70								30
13258 82	3	31.58	1720	184	-62 E	7	30	2	30								10
13259 82	3	31.58	1720	4	-62 W	3	10	2	30								2
13260 82	3	31.58	1720	4	-50 W	1	10	2	10								50
13261 82	3	31.58	1720	4	+2 W	7	20	2	50								70
13262 82	4	1.25	1720	176	+44 E	8	10	2	70								130
13263 82	4	1.25	1720	176	+28 E	9	50	2	150								70
13264 82	4	1.25	1720	176	+11 E	14	20	2	150								90
13265 82	4	1.25	1720	176	-23 E	4	20	2	70								60
13266 82	4	1.25	1720	176	-49 E	3	30	2	90								40
13267 82	4	1.25	1720	176	-62 E	3	30	2	60								30
13268 82	4	1.25	1720	356	-63 W	4	10	2	40								40
13269 82	4	1.25	1720	356	-49 W	4	20	2	30								2
13270 82	4	1.25	1720	356	+6 W	1	30	2	40								2

TABLE 1 CONTINUED

TABLE 1 CONTINUED

13271 82	4	1.25	1720	356	+22 W	5	30	2	100	13311 82	4	29.22	1721	346	-43 W	3	20	2	40
13272 82	4	1.25	1720	356	+35 W	1	30	1	20	13312 82	4	29.22	1721	346	+1 W	9	40	2	40
13273 82	4	2.27	1720	162	+40 E	16	50	2	250	13313 82	4	29.22	1721	346	+23 W	3	70	2	110
13274 82	4	2.27	1720	162	+18 E	16	80	2	260	13314 82	5	1.20	1721	140	+48 E	11	30	2	200
13275 82	4	2.27	1720	162	-22 E	7	20	2	100	13315 82	5	1.20	1721	140	+12 E	4	20	2	40
13276 82	4	2.27	1720	162	-49 E	3	30	2	50	13316 82	5	1.20	1721	140	-2 E	1	10	2	10
13277 82	4	2.27	1720	162	-60 E	3	70	2	70	13317 82	5	1.20	1721	140	-12 E	1	10	2	10
13278 82	4	2.27	1720	342	-33 W	10	30	2	230	13318 82	5	1.20	1721	320	-15 W	1	10	2	10
13279 82	4	2.27	1720	342	+3 W	14	50	2	170	13319 82	5	1.20	1721	320	+3 W	5	10	1	20
13280 82	4	2.27	1720	342	+22 W	5	30	2	100	13320 82	5	1.20	1721	320	+13 W	4	30	1	40
13281 82	4	2.27	1720	342	+33 W	2	30	1	30	13321 82	5	1.20	1721	320	+16 W	7	40	1	50
13282 82	4	5.24	1720	123	+53 E	2	20	2	30	13322 82	5	1.20	1721	320	+35 W	5	20	2	50
13283 82	4	5.24	1720	123	-8 E	1	20	2	20	13323 82	5	3.22	1721	114	+51 E	5	40	2	120
13284 82	4	5.24	1720	123	-19 E	1	20	2	20	13324 82	5	3.22	1721	114	+32 E	11	40	2	200
13285 82	4	5.24	1720	123	-36 E	9	10	2	40	13325 82	5	3.22	1721	114	+3 E	3	10	2	30
13286 82	4	5.24	1720	303	-46 W	6	70	2	120	13326 82	5	3.22	1721	114	-5 E	4	10	2	40
13287 82	4	5.24	1720	303	+3 W	5	90	2	110	13327 82	5	3.22	1721	114	-19 E	6	30	2	90
13288 82	4	5.24	1720	303	+13 W	19	40	2	420	13328 82	5	3.22	1721	114	-28 E	5	20	2	100
13289 82	4	6.25	1720	110	+3 E	3	10	2	30	13329 82	5	3.22	1721	114	-45 E	4	30	2	90
13290 82	4	6.25	1720	290	-49 W	5	30	2	80	13330 82	5	3.22	1721	294	-63 W	2	10	2	20
13291 82	4	6.25	1720	290	-18 W	2	20	2	30	13331 82	5	3.22	1721	294	-49 W	3	20	2	40
13292 82	4	6.25	1720	290	-3 W	8	20	2	130	13332 82	5	3.22	1721	294	+23 W	17	70	2	200
13293 82	4	13.22	1721	18	+42 E	3	80	2	120	13333 82	5	12.23	1722	355	+26 E	2	30	2	50
13294 82	4	13.22	1721	18	-59 E	2	20	2	30	13334 82	5	12.23	1722	355	+12 E	2	80	2	120
13295 82	4	13.22	1721	198	-80 W	1	20	2	20	13335 82	5	12.23	1722	355	-34 E	4	30	2	60
13296 82	4	13.22	1721	198	-59 W	1	10	2	10	13336 82	5	12.23	1722	355	-58 E	4	30	2	60
13297 82	4	13.22	1721	198	-48 W	1	10	2	10	13337 82	5	12.23	1722	175	+8 W	3	10	2	30
13298 82	4	13.22	1721	198	-34 W	1	20	2	20	13338 82	5	12.23	1722	175	+24 W	1	10	2	20
13299 82	4	13.22	1721	198	+33 W	1	10	2	10	13339 82	5	13.24	1722	341	+14 E	1	50	2	70
13300 82	4	23.38	1721	244	+12 E	5	20	2	60	13340 82	5	13.24	1722	341	+8 E	2	10	2	20
13301 82	4	23.38	1721	244	+10 E	4	10	2	40	13341 82	5	13.24	1722	341	+3 E	2	10	2	20
13302 82	4	23.38	1721	244	-18 E	7	10	2	70	13342 82	5	13.24	1722	341	-58 E	3	20	2	40
13303 82	4	23.38	1721	244	-41 E	5	10	2	50	13343 82	5	13.24	1722	161	-52 W	5	20	2	60
13304 82	4	23.38	1721	64	-35 W	12	70	2	340	13344 82	5	13.24	1722	161	-26 W	3	20	2	30
13305 82	4	23.38	1721	64	+5 W	21	70	1	80	13345 82	5	13.24	1722	161	-17 W	5	20	2	90
13306 82	4	29.22	1721	166	+14 E	1	20	1	20	13346 82	5	13.24	1722	161	+8 W	5	20	2	90
13307 82	4	29.22	1721	166	-20 E	10	20	3	150	13347 82	5	14.19	1722	329	+42 E	6	30	2	70
13308 82	4	29.22	1721	166	-49 E	1	30	1	20	13348 82	5	14.19	1722	329	+23 E	1	10	1	10
13309 82	4	29.22	1721	166	-51 E	3	10	2	20	13349 82	5	14.19	1722	329	+12 E	3	10	2	30
13310 82	4	29.22	1721	346	-60 W	3	20	2	50	13350 82	5	14.19	1722	329	-10 E	4	20	1	30

TABLE 1 CONTINUED

TABLE 1 CONTINUED

13351 82	5	14,19	1722	329	-20 E	1	20	1	40	13391 82	5	21,20	1722	236	-18 E	15	50	2	450
13352 82	5	14,19	1722	329	-33 E	4	20	2	60	13392 82	5	21,20	1722	236	-38 E	3	20	2	50
13353 82	5	14,19	1722	329	-45 E	1	10	2	10	13393 82	5	21,20	1722	236	-42 E	5	30	2	70
13354 82	5	14,19	1722	329	-54 E	3	20	2	50	13394 82	5	21,20	1722	236	-55 E	2	30	2	50
13355 82	5	14,19	1722	149	-52 W	3	20	2	50	13395 82	5	26,38	1722	168	+10 E	11	80	2	380
13356 82	5	14,19	1722	149	-16 W	4	20	2	70	13396 82	5	26,38	1722	348	-52 W	4	30	2	80
13357 82	5	15,20	1722	316	+37 E	3	20	2	40	13397 82	5	26,38	1722	348	-38 W	4	30	2	60
13358 82	5	15,20	1722	316	+26 E	5	40	2	50	13398 82	5	26,38	1722	348	+1 W	5	30	2	120
13359 82	5	15,20	1722	316	-26 E	4	20	2	60	13399 82	5	26,38	1722	348	+8 W	5	40	2	120
13360 82	5	15,20	1722	316	-33 E	4	30	2	60	13400 82	5	26,38	1722	348	+18 W	3	20	2	40
13361 82	5	15,20	1722	316	-39 E	1	20	2	30	13401 82	5	26,38	1722	348	+26 W	1	60	1	60
13362 82	5	15,20	1722	316	-56 E	3	20	2	50	13402 82	5	27,19	1722	157	+58 E	1	10	1	10
13363 82	5	15,20	1722	136	-62 W	4	20	2	60	13403 82	5	27,19	1722	157	+35 E	2	20	2	30
13364 82	5	15,20	1722	136	-52 W	3	20	2	60	13404 82	5	27,19	1722	157	+15 E	3	30	2	50
13365 82	5	15,20	1722	136	-8 W	2	30	1	30	13405 82	5	27,19	1722	157	+9 E	1	50	2	50
13366 82	5	15,20	1722	136	+12 W	6	10	2	40	13406 82	5	27,19	1722	157	-17 E	8	20	2	130
13367 82	5	16,23	1722	302	+46 E	1	50	2	50	13407 82	5	27,19	1722	337	-52 W	3	50	2	100
13368 82	5	16,23	1722	302	+29 E	1	30	2	40	13408 82	5	27,19	1722	337	-40 W	3	40	2	60
13369 82	5	16,23	1722	302	+21 E	3	10	2	30	13409 82	5	27,19	1722	337	-23 W	5	30	2	70
13370 82	5	16,23	1722	302	-25 E	5	20	2	90	13410 82	5	27,19	1722	337	+2 W	10	40	2	150
13371 82	5	16,23	1722	302	-34 E	5	40	2	110	13411 82	5	27,19	1722	337	+27 W	19	80	2	390
13372 82	5	16,23	1722	302	-55 E	2	90	2	90	13412 82	5	28,23	1722	144	+30 E	2	20	2	30
13373 82	5	16,23	1722	122	-58 W	15	60	2	430	13413 82	5	28,23	1722	144	-18 E	1	30	2	30
13374 82	5	16,23	1722	122	-31 W	5	30	2	110	13414 82	5	28,23	1722	324	-53 W	3	30	2	60
13375 82	5	16,23	1722	122	+7 W	2	110	2	180	13415 82	5	28,23	1722	324	-33 W	3	40	2	90
13376 82	5	16,23	1722	122	+56 W	1	10	1	10	13416 82	5	30,21	1722	117	+44 E	2	20	2	30
13377 82	5	17,23	1722	289	+46 E	1	60	2	50	13417 82	5	30,21	1722	117	+32 E	6	30	2	110
13378 82	5	17,23	1722	289	-36 E	1	30	2	30	13418 82	5	30,21	1722	117	+11 E	12	70	2	150
13379 82	5	17,23	1722	109	-55 W	4	30	2	40	13419 82	5	30,21	1722	117	-8 E	9	50	2	250
13380 82	5	17,23	1722	109	-12 W	1	40	2	40	13420 82	5	30,21	1722	117	-18 E	5	30	2	90
13381 82	5	17,23	1722	109	+3 W	10	10	2	180	13421 82	5	30,21	1722	117	-28 E	7	30	2	140
13382 82	5	17,23	1722	109	+50 W	4	20	2	40	13422 82	5	30,21	1722	297	-28 W	10	50	2	370
13383 82	5	18,21	1722	276	+55 E	12	40	2	140	13423 82	5	30,21	1722	297	+13 W	7	50	2	320
13384 82	5	18,21	1722	96	-62 W	2	30	2	50	13424 82	5	30,21	1722	297	+23 W	60	2	80	
13385 82	5	18,21	1722	96	-52 W	3	50	2	100	13425 82	5	31,19	1722	104	+34 E	4	30	2	50
13386 82	5	18,21	1722	96	-10 W	1	70	2	70	13426 82	5	31,19	1722	104	+24 E	4	20	2	50
13387 82	5	18,21	1722	96	+8 W	9	70	2	270	13427 82	5	31,19	1722	104	-28 E	6	20	2	80
13388 82	5	18,21	1722	96	+18 W	1	40	2	40	13428 82	5	31,19	1722	104	-48 E	1	10	2	10
13389 82	5	18,21	1722	96	+23 W	4	50	2	180	13429 82	5	31,19	1722	104	-58 E	3	20	2	50
13390 82	5	18,21	1722	96	+49 W	6	20	2	60	13430 82	5	31,19	1722	284	-53 W	13	30	2	130

TABLE 1 CONTINUED

13431 82	5	31.19	1722	284	-14 W	1	20	2	20	13471 82	6	6.17	1723	206	-51 W	10	20	2	110
13432 82	5	31.19	1722	284	+24 W	3	10	2	30	13472 82	6	6.17	1723	206	-36 W	2	30	2	40
13433 82	6	1.20	1722	91	+53 E	2	10	2	20	13473 82	6	6.17	1723	206	-20 W	2	30	2	40
13434 82	6	1.20	1722	91	+38 E	4	20	2	80	13474 82	6	6.17	1723	206	+4 W	5	10	2	50
13435 82	6	1.20	1722	91	+22 E	1	10	2	10	13475 82	6	6.17	1723	206	+26 W	1	30	2	40
13436 82	6	1.20	1722	91	+7 E	2	10	2	20	13476 82	6	8.17	1723	359	+43 E	2	10	1	20
13437 82	6	1.20	1722	91	-1 E	5	40	2	150	13477 82	6	8.17	1723	359	+32 E	3	20	1	60
13438 82	6	1.20	1722	91	-13 E	1	10	2	10	13478 82	6	8.17	1723	359	-45 E	11	60	2	220
13439 82	6	1.20	1722	91	-28 E	4	20	2	60	13479 82	6	8.17	1723	179	-53 W	3	10	2	30
13440 82	6	1.20	1722	271	-50 W	5	20	1	40	13480 82	6	8.17	1723	179	-15 W	6	30	2	120
13441 82	6	1.20	1722	271	-20 W	3	20	2	50	13481 82	6	8.17	1723	179	+22 W	1	110	1	140
13442 82	6	2.20	1723	78	+53 E	3	20	2	60	13482 82	6	9.18	1723	346	+45 E	2	10	2	10
13443 82	6	2.20	1723	78	-8 E	16	50	2	150	13483 82	6	9.18	1723	346	+29 E	2	30	1	60
13444 82	6	2.20	1723	258	-51 W	2	10	2	20	13484 82	6	9.18	1723	346	+9 E	3	30	1	50
13445 82	6	2.20	1723	258	-29 W	4	20	2	40	13485 82	6	9.18	1723	346	-12 E	5	30	2	60
13446 82	6	2.20	1723	258	-17 W	4	40	2	100	13486 82	6	9.18	1723	346	-48 E	10	40	1	100
13447 82	6	3.19	1723	65	+42 E	2	20	3	40	13487 82	6	9.18	1723	166	+7 W	4	10	2	60
13448 82	6	3.19	1723	65	+28 E	2	30	2	30	13488 82	6	11.33	1723	317	+41 E	3	30	2	70
13449 82	6	3.19	1723	65	-22 E	7	20	1	60	13489 82	6	11.33	1723	317	+29 E	6	30	2	210
13450 82	6	3.19	1723	245	-56 W	2	10	1	20	13490 82	6	11.33	1723	317	+11 E	4	10	2	40
13451 82	6	3.19	1723	245	-33 W	6	20	2	100	13491 82	6	11.33	1723	317	-68 E	1	40	1	40
13452 82	6	3.19	1723	245	-10 W	12	30	1	90	13492 82	6	11.33	1723	137	-4 W	1	40	1	50
13453 82	6	4.19	1723	52	+42 E	7	30	2	150	13493 82	6	11.33	1723	137	+30 W	5	20	2	70
13454 82	6	4.19	1723	52	-55 E	11	30	2	230	13494 82	7	14.25	1724	243	+13 E	3	10	2	20
13455 82	6	4.19	1723	232	-53 W	3	10	2	30	13495 82	7	14.25	1724	243	+1 E	4	10	2	20
13456 82	6	4.19	1723	232	-35 W	14	40	2	250	13496 82	7	14.25	1724	243	-25 E	1	20	2	20
13457 82	6	4.19	1723	232	-20 W	10	30	2	150	13497 82	7	14.25	1724	243	-39 E	4	50	3	60
13458 82	6	4.19	1723	232	+3 W	1	30	1	40	13498 82	7	14.25	1724	243	-55 E	6	30	1	40
13459 82	6	4.19	1723	232	+18 W	3	50	2	150	13499 82	7	14.25	1724	63	-9 W	13	70	3	280
13460 82	6	5.18	1723	39	-10 E	1	10	2	10	13500 82	7	14.25	1724	63	+23 W	1	10	1	10
13461 82	6	5.18	1723	39	-55 E	15	50	2	340	13501 82	7	14.25	1724	63	+43 W	5	50	2	60
13462 82	6	5.18	1723	219	-53 W	7	20	3	90	13502 82	7	30.37	1725	30	+13 E	11	50	2	290
13463 82	6	5.18	1723	219	-35 W	3	50	3	110	13503 82	7	30.37	1725	30	+1 E	1	20	2	20
13464 82	6	5.18	1723	219	-20 W	4	30	3	70	13504 82	7	30.37	1725	30	-34 E	5	50	2	130
13465 82	6	5.18	1723	219	-6 W	11	20	1	50	13505 82	7	30.37	1725	210	-50 W	16	80	1	160
13466 82	6	5.18	1723	219	+23 W	5	50	2	90	13506 82	7	30.37	1725	210	-5 W	15	90	2	490
13467 82	6	6.17	1723	26	+2 E	1	40	1	50	13507 82	7	30.37	1725	210	+26 W	11	50	2	350
13468 82	6	6.17	1723	26	-17 E	5	20	1	30	13508 82	7	31.24	1725	19	+7 E	25	50	2	610
13469 82	6	6.17	1723	26	-28 E	5	20	2	70	13509 82	7	31.24	1725	19	-36 E	3	40	2	70
13470 82	6	6.17	1723	26	-55 E	12	50	2	340	13510 82	7	31.24	1725	199	-50 W	19	80	1	160

TABLE 1 CONTINUED

TABLE 1 CONTINUED

13511 82	7	31.24	1725	199	- 8 W	6	30	2	110	13551 82	8	19.32	1725	307	-62 W	5	20	2	60
13512 82	7	31.24	1725	199	+26 W	14	60	2	330	13552 82	8	19.32	1725	307	-56 W	10	80	1	70
13513 82	8	6.24	1725	300	+38 E	8	50	2	170	13553 82	8	19.32	1725	307	-44 W	3	60	1	170
13514 82	8	6.24	1725	300	+11 E	1	10	1	10	13554 82	8	19.32	1725	307	-25 W	5	20	2	70
13515 82	8	6.24	1725	300	-26 E	1	20	1	20	13555 82	8	19.32	1725	307	+21 W	1	130	2	150
13516 82	8	6.24	1725	300	-32 E	1	20	1	20	13556 82	8	19.32	1725	307	+56 W	3	20	2	50
13517 82	8	6.24	1725	300	-46 E	1	30	2	30	13557 82	8	20.34	1725	113	-58 E	3	10	2	40
13518 82	8	6.24	1725	300	-56 E	1	20	1	20	13558 82	8	20.34	1725	293	-61 W	3	20	2	50
13519 82	8	6.24	1725	300	-64 E	5	10	1	20	13559 82	8	20.34	1725	293	-39 W	4	110	1	120
13520 82	8	6.24	1725	120	+31 W	11	40	2	140	13560 82	8	20.34	1725	293	-23 W	3	20	2	60
13521 82	8	6.24	1725	120	+44 W	4	20	1	20	13561 82	8	20.34	1725	293	-11 W	3	20	2	50
13522 82	8	7.28	1725	286	+48 E	1	60	2	30	13562 82	8	20.34	1725	293	- 5 W	3	30	2	60
13523 82	8	7.28	1725	286	+39 E	3	20	2	30	13563 82	8	20.34	1725	293	+ 3 W	6	30	2	120
13524 82	8	7.28	1725	286	+15 E	1	50	2	40	13564 82	8	20.34	1725	293	+20 W	15	120	1	200
13525 82	8	7.28	1725	286	- 1 E	4	20	2	50	13565 82	8	20.34	1725	293	+58 W	4	30	2	90
13526 82	8	7.28	1725	286	-12 E	1	20	2	20	13566 82	8	23.34	1726	74	-10 E	5	30	2	70
13527 82	8	7.28	1725	286	-45 E	1	40	2	30	13567 82	8	23.34	1726	74	-27 E	3	20	2	40
13528 82	8	7.28	1725	286	-56 E	3	50	3	60	13568 82	8	23.34	1726	74	-62 E	1	40	2	50
13529 82	8	7.28	1725	106	-11 W	3	20	2	20	13569 82	8	23.34	1726	254	-18 W	5	30	2	100
13530 82	8	7.28	1725	106	+33 W	16	50	3	420	13570 82	8	23.34	1726	254	0 W	2	20	2	30
13531 82	8	8.21	1725	274	+42 E	2	70	3	130	13571 82	8	23.34	1726	254	+ 7 W	6	50	2	170
13532 82	8	8.21	1725	274	-23 E	5	10	2	40	13572 82	8	23.34	1726	254	+15 W	2	20	2	50
13533 82	8	8.21	1725	274	-61 E	1	70	3	70	13573 82	8	23.34	1726	254	+20 W	4	30	2	70
13534 82	8	8.21	1725	94	- 1 W	4	20	2	30	13574 82	8	23.34	1726	254	+39 W	3	20	1	40
13535 82	8	8.21	1725	94	+35 W	10	70	2	130	13575 82	8	23.34	1726	254	+54 W	4	20	2	100
13536 82	8	12.19	1725	221	-55 E	13	20	2	40	13576 82	8	23.34	1726	254	+65 W	4	20	2	60
13537 82	8	12.19	1725	41	-22 W	8	30	2	60	13577 82	8	26.27	1726	35	+41 E	3	20	2	50
13538 82	8	17.20	1725	155	+20 E	7	80	2	160	13578 82	8	26.27	1726	35	+20 E	7	20	2	100
13539 82	8	17.20	1725	155	-15 E	1	40	2	40	13579 82	8	26.27	1726	35	+ 4 E	3	10	2	30
13540 82	8	17.20	1725	155	-25 E	2	20	2	40	13580 82	8	26.27	1726	35	-28 E	1	30	1	30
13541 82	8	17.20	1725	335	+10 W	6	30	2	90	13581 82	8	26.27	1726	215	-53 W	4	20	2	60
13542 82	8	17.20	1725	335	+23 W	2	40	1	30	13582 82	8	26.27	1726	215	+ 1 W	1	20	2	20
13543 82	8	17.20	1725	335	+53 W	4	20	1	40	13583 82	8	26.27	1726	215	+13 W	8	40	2	170
13544 82	8	18.23	1725	141	+25 E	2	60	2	100	13584 82	8	27.21	1726	23	+90 E	4	30	2	80
13545 82	8	18.23	1725	141	-53 E	3	20	2	40	13585 82	8	27.21	1726	23	+59 E	7	20	2	110
13546 82	8	18.23	1725	321	-55 W	1	50	1	40	13586 82	8	27.21	1726	203	-51 W	7	10	2	80
13547 82	8	18.23	1725	321	-49 W	1	50	1	40	13587 82	8	27.21	1726	203	-12 W	17	30	2	180
13548 82	8	18.23	1725	321	+18 W	8	70	2	120	13588 82	8	27.21	1726	203	+19 W	4	20	2	50
13549 82	8	19.32	1725	127	+37 E	6	50	2	90	13589 82	8	28.24	1726	9	+48 F	9	50	2	160
13550 82	8	19.32	1725	127	+20 E	6	30	1	70	13590 82	8	28.24	1726	9	+14 E	7	30	2	150

TABLE 1 CONTINUED

TABLE 1 CONTINUED

13591 82	8	28.24	1726	9	-1 E	2	20	2	40	13631 82	9	15.27	1726	311	-8 W	1	10	2	10
13592 82	8	28.24	1726	9	-8 E	5	20	2	100	13632 82	9	15.27	1726	311	+16 W	23	50	3	410
13593 82	8	28.24	1726	9	-24 E	3	20	2	40	13633 82	9	15.27	1726	311	+53 W	20	80	3	100
13594 82	8	28.24	1726	189	-14 W	2	30	2	70	13634 82	9	16.30	1726	298	-23 W	10	50	2	130
13595 82	8	28.24	1726	189	-8 W	1	20	2	40	13635 82	9	16.30	1726	298	-9 W	5	20	2	70
13596 82	8	28.24	1726	189	+3 W	1	30	2	30	13636 82	9	16.30	1726	298	+21 W	14	90	2	730
13597 82	8	28.24	1726	189	+33 W	3	10	2	30	13637 82	9	16.30	1726	298	+58 W	7	30	1	70
13598 82	8	31.20	1726	330	+50 E	8	30	2	80	13638 82	9	17.29	1726	104	-24 E	4	40	2	140
13599 82	8	31.20	1726	330	+8 E	12	40	2	180	13639 82	9	17.29	1726	284	+22 W	18	120	2	820
13600 82	8	31.20	1726	150	-60 W	2	30	2	40	13640 82	9	18.30	1726	91	-24 E	6	60	2	200
13601 82	8	31.20	1726	150	-20 W	4	20	2	50	13641 82	9	18.30	1726	271	+1 W	11	50	1	210
13602 82	8	31.20	1726	150	+23 W	3	70	2	100	13642 82	9	18.30	1726	271	+30 W	23	150	2	920
13603 82	8	31.20	1726	150	+33 W	3	60	2	130	13643 82	9	19.29	1727	78	-23 E	4	50	2	150
13604 82	9	2.26	1726	303	+46 E	1	10	1	10	13644 82	9	19.29	1727	258	+4 W	12	80	2	310
13605 82	9	2.26	1726	303	+11 E	18	80	3	390	13645 82	9	19.29	1727	258	+36 W	20	140	2	690
13606 82	9	2.26	1726	303	-31 E	1	20	2	20	13646 82	9	20.28	1727	65	+56 E	7	40	1	140
13607 82	9	2.26	1726	303	-50 E	12	50	2	60	13647 82	9	20.28	1727	65	-23 E	5	30	2	100
13608 82	9	2.26	1726	123	+29 W	3	20	2	40	13648 82	9	20.28	1727	65	-30 E	2	60	2	70
13609 82	9	3.52	1726	286	+45 E	1	20	2	20	13649 82	9	20.28	1727	245	-28 W	2	30	2	50
13610 82	9	3.52	1726	286	+15 E	20	70	3	420	13650 82	9	20.28	1727	245	+11 W	13	80	2	330
13611 82	9	3.52	1726	286	-18 E	1	20	2	20	13651 82	9	20.28	1727	245	+39 W	10	100	2	410
13612 82	9	3.52	1726	286	-51 E	1	70	2	40	13652 82	9	21.26	1727	52	+9 E	8	70	1	110
13613 82	9	4.25	1726	277	+44 E	2	30	2	60	13653 82	9	21.26	1727	232	-33 W	9	40	1	100
13614 82	9	4.25	1726	277	+15 E	18	70	3	290	13654 82	9	21.26	1727	232	-22 W	1	40	1	60
13615 82	9	4.25	1726	277	-14 E	5	70	2	40	13655 82	9	21.26	1727	232	0 W	3	30	2	50
13616 82	9	4.25	1726	277	-50 E	1	80	2	50	13656 82	9	21.26	1727	232	+48 W	7	90	2	310
13617 82	9	4.25	1726	97	+35 W	10	40	2	50	13657 82	9	25.35	1727	358	+5 E	7	20	2	90
13618 82	9	5.23	1726	264	+45 E	5	40	2	80	13658 82	9	25.35	1727	358	-25 E	3	20	2	40
13619 82	9	5.23	1726	264	+8 E	12	90	3	240	13659 82	9	25.35	1727	178	-59 W	3	70	2	170
13620 82	9	5.23	1726	264	-54 E	1	80	2	70	13660 82	9	25.35	1727	178	-24 W	4	60	2	170
13621 82	9	6.26	1726	250	+45 E	2	30	2	40	13661 82	9	25.35	1727	178	-17 W	4	20	2	80
13622 82	9	6.26	1726	250	+8 E	10	90	3	150	13662 82	9	25.35	1727	178	-2 W	4	10	2	40
13623 82	9	6.26	1726	250	-25 E	4	20	2	60	13663 82	9	25.35	1727	178	+23 W	8	50	2	120
13624 82	9	7.23	1726	237	+80 E	4	20	2	60	13664 82	9	26.19	1727	347	+9 E	6	30	2	80
13625 82	9	7.23	1726	237	+18 E	10	30	2	40	13665 82	9	26.19	1727	347	-27 E	6	40	2	120
13626 82	9	7.23	1726	237	+1 E	4	20	2	40	13666 82	9	26.19	1727	167	-58 W	3	70	2	210
13627 82	9	7.23	1726	237	-29 E	12	30	2	70	13667 82	9	26.19	1727	167	+23 W	4	30	2	60
13628 82	9	7.23	1726	237	-57 E	1	30	2	30	13668 82	10	5.62	1727	223	-3 E	5	40	2	90
13629 82	9	15.27	1726	131	+20 E	13	20	2	70	13669 82	10	5.62	1727	223	-53 E	4	70	2	120
13630 82	9	15.27	1726	311	-22 W	4	30	3	90	13670 82	10	5.62	1727	43	-12 W	7	100	1	80

TABLE 1 CONTINUED

TABLE 1 CONTINUED

13671	82 10	5.62	1727	43	+11 W	9	75	1	80	1728	296	+ 9 E	16	20	2	190
13672	82 10	5.62	1727	43	+51 W	2	40	2	40	1728	296	- 6 E	12	30	2	30
13673	82 10	9.34	1727	173	+33 E	9	40	2	130	1728	296	-35 E	12	40	3	110
13674	82 10	9.34	1727	173	-24 E	2	40	2	40	1728	116	- 7 W	17	20	2	90
13675	82 10	9.34	1727	173	-31 E	1	30	2	40	1728	116	+17 W	1	10	1	10
13676	82 10	9.34	1727	353	-32 W	4	40	2	80	1728	283	+29 E	21	50	3	510
13677	82 10	9.34	1727	353	-21 W	7	30	2	110	1728	103	-16 W	8	10	2	50
13678	82 10	9.34	1727	353	+ 9 W	4	60	2	110	1728	103	+ 2 W	8	30	2	30
13679	82 10	10.33	1727	340	+32 W	10	50	2	140	1728	103	+17 W	6	10	2	40
13680	82 10	10.33	1727	340	-33 W	2	50	2	50	1728	103	+26 W	2	20	2	30
13681	82 10	10.33	1727	340	-23 W	2	40	2	50	1728	270	+54 E	1	40	2	20
13682	82 10	10.33	1727	340	+14 W	10	60	2	110	1728	270	+32 E	23	70	3	640
13683	82 10	13.32	1727	121	0 E	4	50	3	90	1728	270	-36 E	13	30	3	100
13684	82 10	13.32	1727	121	-68 E	2	40	2	60	1728	90	-21 W	5	20	2	30
13685	82 10	13.32	1727	301	+13 W	18	90	3	270	1728	90	+20 W	1	10	1	10
13686	82 10	21.46	1728	13	+44 E	10	30	2	80	1728	257	+55 E	3	40	1	20
13687	82 10	21.46	1728	13	+33 E	1	10	2	10	1728	257	+31 E	18	70	3	400
13688	82 10	21.46	1728	13	+21 E	5	10	2	30	1728	257	- 7 E	11	30	2	60
13689	82 10	21.46	1728	13	+16 E	3	30	3	50	1728	77	-12 W	1	30	2	20
13690	82 10	21.46	1728	13	-10 E	11	20	2	40	1728	77	+ 9 W	2	70	2	50
13691	82 10	21.46	1728	13	-37 E	5	50	3	140	1728	77	+30 W	1	30	1	20
13692	82 10	21.46	1728	193	-32 W	1	30	2	30	1728	244	+57 E	6	30	2	90
13693	82 10	21.46	1728	193	+14 W	2	20	2	20	1728	244	+40 E	9	60	3	220
13694	82 10	22.32	1728	2	+41 E	3	50	2	80	1728	244	- 1 E	1	20	1	20
13695	82 10	22.32	1728	2	+ 5 E	8	50	3	90	1728	244	- 9 E	3	20	2	30
13696	82 10	22.32	1728	2	-38 E	8	50	3	100	1728	64	-15 W	10	30	2	20
13697	82 10	22.32	1728	182	-51 W	1	30	1	20	1728	64	+ 9 W	3	50	2	30
13698	82 10	22.32	1728	182	-41 W	5	10	1	20	1728	64	+39 W	11	40	2	60
13699	82 10	22.32	1728	182	-12 W	3	10	2	40	1728	230	+56 E	4	40	2	90
13700	82 10	23.31	1728	349	+42 E	4	30	2	50	1728	230	+42 E	8	30	2	130
13701	82 10	23.31	1728	349	+ 8 E	10	40	3	110	1728	230	-25 E	3	40	2	60
13702	82 10	23.31	1728	349	-24 E	1	10	1	10	1728	230	-44 E	3	20	2	40
13703	82 10	23.31	1728	349	-44 E	1	20	2	20	1728	50	-24 W	4	20	2	80
13704	82 10	23.31	1728	349	-82 E	9	30	1	40	1728	50	-11 W	9	60	2	170
13705	82 10	23.31	1728	169	-20 W	3	20	2	30	1728	50	+16 W	3	20	1	30
13706	82 10	23.31	1728	169	- 6 W	5	30	3	70	1728	50	+36 W	3	60	1	130
13707	82 10	26.36	1728	309	- 1 E	16	70	3	420	1728	217	+58 E	1	50	2	40
13708	82 10	26.36	1728	309	-40 E	8	20	2	40	1728	37	-23 W	5	30	2	60
13709	82 10	26.36	1728	129	- 4 W	6	90	3	90	1728	37	+ 2 W	1	20	1	20
13710	82 10	26.36	1728	129	+30 W	9	20	2	90	1728	37	+33 W	8	50	2	140

TABLE 1 CONTINUED

Table with 20 columns: ID, RA, Dec, Mag, Var, Type, Comment, etc. Rows include data points like 13751 82 11 6.30 1728 164 -38 E 4 10 1 20, 13752 82 11 6.30 1728 164 -46 E 1 50 1 50, etc.

TABLE 1 CONTINUED

Table with 20 columns: ID, RA, Dec, Mag, Var, Type, Comment, etc. Rows include data points like 13791 82 11 18.33 1729 186 -71 W 4 4 30 2 50, 13792 82 11 18.33 1729 186 +13 W 7 20 1 30, etc.

TABLE 1 CONTINUED

TABLE 1 CONTINUED

13831	82 11	27.30	1729	247	+25 E	11	30	3	140	13871	82 12	5.32	1729	321	+17 W	21	30	2	160
13832	82 11	27.30	1729	67	-51 W	3	20	2	40	13872	82 12	5.32	1729	321	+52 W	4	60	2	90
13833	82 11	27.30	1729	67	-24 W	4	20	2	50	13873	82 12	7.46	1729	113	+16 E	6	50	2	70
13834	82 11	27.30	1729	67	-4 W	7	90	3	120	13874	82 12	7.46	1729	113	-19 E	8	20	2	70
13835	82 12	1.32	1729	194	+45 E	4	50	2	40	13875	82 12	7.46	1729	113	-29 E	1	20	2	20
13836	82 12	1.32	1729	194	+6 E	5	10	2	20	13876	82 12	7.46	1729	293	+12 W	1	10	1	10
13837	82 12	1.32	1729	194	-17 E	1	20	2	20	13877	82 12	7.46	1729	293	+25 W	9	50	3	180
13838	82 12	1.32	1729	194	-29 E	8	10	2	40	13878	82 12	7.46	1729	293	+60 W	5	60	3	120
13839	82 12	1.32	1729	194	-37 E	4	20	2	30	13879	82 12	12.40	1730	48	-12 E	18	20	2	110
13840	82 12	1.32	1729	14	-25 W	11	20	2	70	13880	82 12	12.40	1730	48	-30 E	4	50	3	90
13841	82 12	1.32	1729	14	-14 W		80	3	20	13881	82 12	12.40	1730	228	+19 W	1	20	1	20
13842	82 12	1.32	1729	14	+14 W	5	20	2	20	13882	82 12	12.40	1730	228	+29 W	2	20	2	30
13843	82 12	1.32	1729	14	+25 W	11	20	2	60	13883	82 12	12.40	1730	228	+36 W	2	20	2	30
13844	82 12	2.32	1729	181	+44 E	4	20	2	60	13884	82 12	12.40	1730	228	+43 W	4	30	2	30
13845	82 12	2.32	1729	181	+26 E	4	30	2	40	13885	82 12	14.46	1730	21	+40 E	1	30	2	30
13846	82 12	2.32	1729	181	+14 E	2	20	2	20	13886	82 12	14.46	1730	21	-4 E	5	20	2	40
13847	82 12	2.32	1729	181	-4 E	1	80	3	70	13887	82 12	14.46	1730	21	-26 E	15	70	3	190
13848	82 12	2.32	1729	181	-14 E	6	50	3	130	13888	82 12	14.46	1730	201	-39 W	2	40	2	30
13849	82 12	2.32	1729	181	-32 E	4	20	2	80	13889	82 12	14.46	1730	201	-19 W	17	100	2	90
13850	82 12	2.32	1729	1	-30 W	3	70	3	100	13890	82 12	14.46	1730	201	+3 W	7	10	2	30
13851	82 12	2.32	1729	1	-19 W	5	10	2	20	13891	83 1	8.41	1731	51	+35 E	1	10	1	10
13852	82 12	2.32	1729	1	+22 W	7	130	2	40	13892	83 1	8.41	1731	51	+30 E	1	10	1	10
13853	82 12	2.32	1729	1	+32 W	7	30	3	100	13893	83 1	8.41	1731	51	+20 E	7	20	2	40
13854	82 12	3.30	1729	168	+45 E	4	20	2	60	13894	83 1	8.41	1731	51	-5 E	2	20	2	30
13855	82 12	3.30	1729	168	+24 E	6	30	3	110	13895	83 1	8.41	1731	51	-18 E	6	20	3	70
13856	82 12	3.30	1729	168	+1 E	4	30	2	30	13896	83 1	8.41	1731	231	-18 W	2	20	2	30
13857	82 12	3.30	1729	168	-13 E	1	50	2	30	13897	83 1	8.41	1731	231	-8 W	1	30	2	20
13858	82 12	3.30	1729	348	-28 W	7	70	3	260	13898	83 1	8.41	1731	231	+9 W	4	110	3	100
13859	82 12	3.30	1729	348	+25 W	5	80	3	100	13899	83 1	8.41	1731	231	+21 W	1	10	1	10
13860	82 12	4.31	1729	155	+18 E	5	50	2	80	13900	83 1	8.41	1731	231	+32 W	12	50	3	290
13861	82 12	4.31	1729	155	+10 E	1	10	1	10	13901	83 1	8.41	1731	231	+55 W	2	70	3	80
13862	82 12	4.31	1729	155	+3 E	2	20	2	30	13902	83 1	12.33	1731	0	+22 E	2	20	2	20
13863	82 12	4.31	1729	155	-17 E	15	30	2	70	13903	83 1	12.33	1731	0	+6 E	5	20	2	60
13864	82 12	4.31	1729	155	-50 E	7	20	1	20	13904	83 1	12.33	1731	0	-8 E	10	20	2	150
13865	82 12	4.31	1729	335	-30 W	14	70	3	50	13905	83 1	12.33	1731	0	-34 E	10	50	3	240
13866	82 12	4.31	1729	335	+18 W	7	10	2	70	13906	83 1	12.33	1731	180	-3 W	6	30	3	120
13867	82 12	4.31	1729	335	+53 W	5	40	2	100	13907	83 1	12.33	1731	180	+22 W	14	50	3	250
13868	82 12	5.32	1729	141	+32 E	7	20	2	80	13908	83 1	13.34	1731	346	+18 E	9	30	3	180
13869	82 12	5.32	1729	141	-16 E	30	50	2	260	13909	83 1	13.34	1731	346	+3 E	4	20	2	30
13870	82 12	5.32	1729	321	-33 W	7	60	3	130	13910	83 1	13.34	1731	346	-14 E	1	10	1	10

TABLE 1 CONTINUED

13911 83	1	13.34	1731	346	-24 E	3	10	1	20	13951 83	2	15.32	1732	91	-41 W	11	30	2	70
13912 83	1	13.34	1731	346	-33 E	1	10	2	10	13952 83	2	15.32	1732	91	+15 W	7	20	1	30
13913 83	1	13.34	1731	346	-39 E	1	40	2	30	13953 83	2	16.32	1732	258	-2 E	10	70	3	140
13914 83	1	13.34	1731	166	-39 W	2	10	1	10	13954 83	2	16.32	1732	258	-28 E	3	30	2	50
13915 83	1	13.34	1731	166	+27 W	10	60	3	240	13955 83	2	16.32	1732	78	-42 W	4	20	2	30
13916 83	1	23.39	1731	214	+57 E	1	20	2	20	13956 83	2	16.32	1732	78	+26 W	20	30	2	130
13917 83	1	23.39	1731	214	+44 E	10	80	3	390	13957 83	2	17.31	1732	245	+50 E	2	100	2	30
13918 83	1	23.39	1731	214	-5 E	4	20	2	70	13958 83	2	17.31	1732	245	-2 E	4	20	1	40
13919 83	1	23.39	1731	214	-17 E	3	20	2	40	13959 83	2	17.31	1732	65	+25 W	8	50	2	50
13920 83	1	23.39	1731	214	-42 E	1	10	1	10	13960 83	2	19.30	1732	219	+32 E	9	50	3	170
13921 83	1	23.39	1731	34	-10 W	7	30	2	60	13961 83	2	19.32	1732	218	+16 E	2	30	3	40
13922 83	1	23.39	1731	34	+35 W	1	30	2	20	13962 83	2	19.32	1732	218	-30 E	3	20	2	40
13923 83	1	24.45	1731	200	+40 E	9	50	1	180	13963 83	2	19.32	1732	218	-20 E	1	10	1	10
13924 83	1	24.45	1731	200	-30 E	2	30	1	80	13964 83	2	20.32	1732	205	+50 E	1	20	2	10
13925 83	1	24.45	1731	20	-28 W	11	30	1	210	13965 83	2	20.32	1732	205	+32 E	8	60	3	110
13926 83	1	25.32	1731	188	+42 E	3	60	1	140	13966 83	2	20.32	1732	205	-26 E	3	20	2	40
13927 83	1	25.32	1731	8	-25 W	10	70	1	320	13967 83	2	20.32	1732	205	-38 E	5	10	2	40
13928 83	2	3.38	1732	69	+30 E	5	30	3	110	13968 83	2	20.32	1732	25	-14 W	3	50	3	70
13929 83	2	3.38	1732	69	-10 E	4	20	1	20	13969 83	2	20.32	1732	25	+16 W	6	30	2	40
13930 83	2	3.38	1732	69	-27 E	7	30	2	150	13970 83	2	22.42	1732	177	+37 E	4	50	2	110
13931 83	2	3.38	1732	249	-37 W	4	50	2	60	13971 83	2	22.42	1732	177	+20 E	1	30	1	10
13932 83	2	3.38	1732	249	-20 W	21	30	2	140	13972 83	2	22.42	1732	177	-18 E	6	20	2	60
13933 83	2	3.38	1732	249	-1 W	5	30	2	50	13973 83	2	22.42	1732	177	-28 E	1	50	2	30
13934 83	2	3.38	1732	249	+55 W	3	40	2	40	13974 83	2	22.42	1732	357	-37 W	2	50	2	50
13935 83	2	5.29	1732	43	+31 E	3	40	2	60	13975 83	2	22.42	1732	357	-8 W	1	10	1	10
13936 83	2	5.29	1732	43	+16 E	1	10	1	10	13976 83	2	22.42	1732	357	+8 W	1	10	1	10
13937 83	2	5.29	1732	43	-27 E	2	20	2	40	13977 83	2	24.40	1732	331	+32 W	15	110	3	170
13938 83	2	5.29	1732	223	-33 W	4	50	3	80	13978 83	2	25.39	1732	138	+82 E	1	10	1	10
13939 83	2	5.29	1732	223	+49 W	23	70	3	290	13979 83	2	25.39	1732	138	+63 E	4	10	1	20
13940 83	2	14.32	1732	284	+15 E	3	20	2	50	13980 83	2	25.39	1732	138	+37 E	5	20	1	30
13941 83	2	14.32	1732	284	+2 E	6	50	3	120	13981 83	2	25.39	1732	138	+17 E	1	10	1	10
13942 83	2	14.32	1732	284	-18 E	2	40	3	90	13982 83	2	25.39	1732	138	-24 E	2	20	1	40
13943 83	2	14.32	1732	284	-40 E	2	50	3	110	13983 83	2	25.39	1732	318	-6 W	16	100	2	250
13944 83	2	14.32	1732	104	-38 W	12	60	3	230	13984 83	2	25.39	1732	318	+43 W	17	120	2	260
13945 83	2	14.32	1732	104	-11 W	3	30	3	50	13985 83	2	26.29	1732	126	+17 E	1	30	2	20
13946 83	2	14.32	1732	104	+24 W	2	10	2	10	13986 83	2	26.29	1732	126	-23 E	8	70	2	90
13947 83	2	15.32	1732	271	-5 E	4	30	2	60	13987 83	2	26.29	1732	126	-38 E	5	30	2	70
13948 83	2	15.32	1732	271	-20 E	7	20	1	70	13988 83	2	26.29	1732	126	-48 E	1	20	1	20
13949 83	2	15.32	1732	271	-31 E	2	20	1	40	13989 83	2	26.29	1732	126	-56 E	1	10	1	10
13950 83	2	15.32	1732	271	-38 E	2	30	2	50	13990 83	2	26.29	1732	306	-22 W	8	30	2	110

TABLE 1 CONTINUED

TABLE 1 CONTINUED

13991 83	2	26.29	1732	306	+40 W	20	110	2	190	14031 83	4	20.23	1734	148	-20 E	50	1	50	
13992 83	3	13.26	1733	289	+21 E	2	30	2	50	14032 83	4	20.23	1734	328	-32 W	4	50	2	90
13993 83	3	13.26	1733	289	-14 E	4	20	2	50	14033 83	4	20.23	1734	328	-19 W	9	10	2	50
13994 83	3	13.26	1733	289	-49 E	2	10	1	20	14034 83	4	26.28	1735	68	-15 E	11	70	2	190
13995 83	3	13.26	1733	109	-33 W	2	20	2	30	14035 83	4	26.28	1735	248	-56 W	2	20	1	30
13996 83	3	13.26	1733	109	-14 W	3	50	1	90	14036 83	4	26.28	1735	248	-21 W	2	40	3	60
13997 83	3	14.22	1733	276	+42 E	2	30	2	30	14037 83	4	26.28	1735	248	+10 W	2	50	2	70
13998 83	3	14.22	1733	276	+33 E	2	10	2	20	14038 83	5	7.20	1735	284	+44 E	3	10	2	30
13999 83	3	14.22	1733	276	-8 E	4	30	1	70	14039 83	5	7.20	1735	284	-2 E	4	20	1	60
14000 83	3	14.22	1733	96	-33 W	4	20	2	60	14040 83	5	7.20	1735	104	-42 W	4	70	2	90
14001 83	3	14.22	1733	96	-20 W	5	20	1	50	14041 83	5	7.20	1735	104	+38 W	8	20	1	80
14002 83	3	14.22	1733	96	+3 W	9	20	2	140	14042 83	5	7.20	1735	104	+42 W	1	10	1	10
14003 83	3	14.22	1733	96	+48 W	2	20	1	40	14043 83	5	7.20	1735	104	+51 W	1	10	1	10
14004 83	3	21.29	1733	183	+52 E	2	20	2	40	14044 83	5	8.18	1735	271	-11 E	1	10	2	10
14005 83	3	21.29	1733	183	+38 E	5	30	2	80	14045 83	5	8.18	1735	271	-49 E	2	20	1	30
14006 83	3	21.29	1733	183	+23 E	4	30	3	70	14046 83	5	19.58	1735	120	-10 E	2	50	2	40
14007 83	3	21.29	1733	183	-6 E	2	10	1	20	14047 83	5	19.58	1735	120	-17 E	1	10	2	10
14008 83	3	21.29	1733	183	-22 E	1	20	2	20	14048 83	5	19.58	1735	300	-38 W	4	30	2	70
14009 83	3	21.29	1733	183	-35 E	10	120	3	130	14049 83	5	19.58	1735	300	-26 W	4	20	2	70
14010 83	3	21.29	1733	3	-15 W	10	50	3	260	14050 83	5	19.58	1735	300	+25 W	1	30	2	50
14011 83	3	21.29	1733	3	+2 W	3	30	2	40	14051 83	5	19.58	1735	300	+32 W	4	20	2	30
14012 83	3	21.29	1733	3	+11 W	3	20	2	30	14052 83	5	22.17	1736	266	-17 W	5	50	2	210
14013 83	3	21.29	1733	3	+20 W	1	30	2	20	14053 83	5	22.17	1736	266	+39 W	6	20	2	60
14014 83	4	17.30	1734	186	+56 E	4	20	1	40	14054 83	5	29.17	1736	354	+43 E	1	30	2	30
14015 83	4	17.30	1734	186	+39 E	1	20	2	30	14055 83	5	29.17	1736	354	-2 E	3	20	1	30
14016 83	4	17.30	1734	6	-78 W	2	50	2	60	14056 83	5	29.17	1736	354	-31 E	3	50	2	70
14017 83	4	17.30	1734	6	-28 W	17	70	3	720	14057 83	5	29.17	1736	174	-38 W	1	40	2	40
14018 83	4	18.28	1734	173	+56 E	2	20	2	30	14058 83	5	31.20	1736	327	-26 E	3	30	2	50
14019 83	4	18.28	1734	173	+44 E	2	20	1	30	14059 83	5	31.20	1736	147	+4 W	7	10	2	80
14020 83	4	18.28	1734	173	+2 E	8	30	2	70	14060 83	5	31.20	1736	147	+16 W	9	80	1	130
14021 83	4	18.28	1734	173	-7 E	2	70	3	90	14061 83	6	1.15	1736	314	+25 E	1	20	1	20
14022 83	4	18.28	1734	173	-23 E	7	10	2	50	14062 83	6	1.15	1736	314	+15 E	1	30	1	30
14023 83	4	18.28	1734	353	-33 W	9	70	2	180	14063 83	6	1.15	1736	314	-2 E	1	20	1	20
14024 83	4	18.28	1734	353	-10 W	4	10	2	40	14064 83	6	1.15	1736	314	-32 E	1	30	1	20
14025 83	4	19.31	1734	160	+46 E	1	20	2	30	14065 83	6	1.15	1736	134	-20 W	2	20	1	30
14026 83	4	19.31	1734	340	-36 W	4	50	1	140	14066 83	6	2.17	1736	301	+25 E	22	70	3	290
14027 83	4	20.23	1734	148	+59 E	1	10	2	10	14067 83	6	2.17	1736	301	-27 E	2	20	2	20
14028 83	4	20.23	1734	148	+47 E	1	20	2	20	14068 83	6	2.17	1736	301	-43 E	3	30	2	180
14029 83	4	20.23	1734	148	+30 E	1	10	1	10	14069 83	6	2.17	1736	121	-56 W	1	70	1	30
14030 83	4	20.23	1734	148	-10 E	40	2	2	50	14070 83	6	2.17	1736	121	-30 W	12	50	3	240

TABLE 1 CONTINUED

TABLE 1 CONTINUED

14071 83	6	8.16	1736	222	+50 E	4	30	1	30	14111 83	6	25.15	1737	177	+18 W	1	10	1	10
14072 83	6	8.16	1736	222	+36 E	1	10	1	10	14112 83	6	25.15	1737	177	+24 W	1	10	1	10
14073 83	6	8.16	1736	222	-20 E	1	30	1	40	14113 83	6	29.56	1737	299	+25 E	17	40	3	230
14074 83	6	8.16	1736	222	-46 E	2	30	1	20	14114 83	6	29.56	1737	299	-19 E	14	20	2	90
14075 83	6	8.16	1736	42	-47 W	5	50	2	70	14115 83	6	29.56	1737	119	-20 W	14	30	2	120
14076 83	6	8.16	1736	42	+11 W	6	20	2	60	14116 83	6	29.56	1737	119	+13 W	7	20	2	70
14077 83	6	9.18	1736	208	+52 E	1	10	1	10	14117 83	6	30.15	1737	291	+31 E	15	30	2	190
14078 83	6	9.18	1736	208	+37 E	4	20	1	30	14118 83	6	30.15	1737	291	-18 E	13	50	2	140
14079 83	6	9.18	1736	208	+24 E	1	10	1	10	14119 83	6	30.15	1737	111	-22 W	7	10	2	70
14080 83	6	9.18	1736	208	-46 E	2	20	1	30	14120 83	6	30.15	1737	111	+17 W	5	50	3	180
14081 83	6	9.18	1736	28	-45 W	3	20	2	50	14121 83	6	30.15	1737	111	+32 W	9	20	2	70
14082 83	6	9.18	1736	28	-26 W	7	20	2	80	14122 83	7	1.28	1737	277	+33 E	7	30	2	190
14083 83	6	12.19	1736	169	+49 E	1	20	1	10	14123 83	7	1.28	1737	277	-31 E	1	10	2	10
14084 83	6	12.19	1736	169	+37 E	4	50	3	90	14124 83	7	1.28	1737	277	-13 E	4	40	3	150
14085 83	6	12.19	1736	169	+12 E	2	10	2	20	14125 83	7	1.28	1737	277	-45 E	1	10	1	10
14086 83	6	12.19	1736	169	+5 E	3	10	2	20	14126 83	7	1.28	1737	97	-19 W	13	50	2	390
14087 83	6	12.19	1736	169	-8 E	7	30	3	110	14127 83	7	1.28	1737	97	-2 W	8	60	2	210
14088 83	6	12.19	1736	169	-19 E	3	20	2	30	14128 83	7	1.28	1737	97	+9 W	2	20	2	20
14089 83	6	12.19	1736	169	-32 E	2	40	2	120	14129 83	7	1.28	1737	97	+19 W	6	50	2	50
14090 83	6	12.19	1736	169	-52 E	1	10	1	10	14130 83	7	1.28	1737	97	+38 W	3	20	2	40
14091 83	6	12.19	1736	349	-45 W	1	10	1	10	14131 83	7	3.18	1737	251	+28 E	3	20	2	40
14092 83	6	12.19	1736	349	-28 W	2	20	2	50	14132 83	7	3.18	1737	251	+20 E	8	20	1	130
14093 83	6	12.19	1736	349	-14 W	3	20	2	50	14133 83	7	3.18	1737	251	-12 E	2	10	1	20
14094 83	6	12.19	1736	349	-1 W	2	20	2	30	14134 83	7	3.18	1737	251	-23 E	4	20	2	60
14095 83	6	21.25	1737	49	+48 E	1	10	2	10	14135 83	7	3.18	1737	251	-40 E	9	30	1	100
14096 83	6	21.25	1737	229	+20 W	7	30	2	50	14136 83	7	3.18	1737	71	-40 W	2	20	1	30
14097 83	6	21.25	1737	229	+37 W	4	70	3	260	14137 83	7	3.18	1737	71	-15 W	25	70	2	990
14098 83	6	22.39	1737	34	+50 E	2	20	1	20	14138 83	7	3.18	1737	71	+50 W	4	40	2	70
14099 83	6	22.39	1737	214	+29 W	1	30	1	20	14139 83	7	4.17	1737	238	+20 E	20	30	3	240
14100 83	6	22.39	1737	214	+45 W	3	80	2	140	14140 83	7	4.17	1737	238	-13 E	2	20	2	20
14101 83	6	23.19	1737	23	+50 E	1	20	1	10	14141 83	7	4.17	1737	238	-23 E	4	20	2	60
14102 83	6	23.19	1737	23	-5 E	7	10	2	50	14142 83	7	4.17	1737	238	-40 E	5	20	2	50
14103 83	6	23.19	1737	203	+29 W	3	40	2	40	14143 83	7	4.17	1737	58	-50 W	5	60	2	130
14104 83	6	23.19	1737	203	+44 W	3	80	3	120	14144 83	7	4.17	1737	58	-25 W	16	60	3	210
14105 83	6	24.16	1737	191	+31 W	1	20	1	10	14145 83	7	4.17	1737	58	+50 W	1	40	2	20
14106 83	6	24.16	1737	191	+47 W	2	60	2	70	14146 83	7	6.16	1737	212	+45 E	3	20	1	50
14107 83	6	25.15	1737	177	-50 W	2	20	2	40	14147 83	7	6.16	1737	212	-24 E	6	20	1	50
14108 83	6	25.15	1737	177	-36 W	1	20	2	20	14148 83	7	6.16	1737	32	+17 W	5	20	2	40
14109 83	6	25.15	1737	177	+4 W	1	20	1	20	14149 83	7	6.16	1737	32	+49 W	6	20	1	30
14110 83	6	25.15	1737	177	+10 W	1	10	1	10	14150 83	7	7.18	1737	199	+48 E	4	20	2	30

TABLE 1 CONTINUED

TABLE 1 CONTINUED

14151 83	7	7.18	1737	199	-43 E	3	30	2	50	14191 83	7	25.26	1738	140	+39 W	1	40	2	40
14152 83	7	7.18	1737	19	-47 W	3	20	1	20	14192 83	7	25.26	1738	140	+50 W	1	30	2	40
14153 83	7	7.18	1737	19	-30 W	18	30	1	230	14193 83	7	27.22	1738	294	+34 E	1	20	2	20
14154 83	7	7.18	1737	19	+15 W	8	60	2	120	14194 83	7	27.22	1738	294	+34 E	1	20	2	20
14155 83	7	7.18	1737	19	+25 W	1	10	1	10	14195 83	7	27.22	1738	294	+9 E	3	10	2	30
14156 83	7	7.18	1737	19	+47 W	2	40	2	40	14196 83	7	27.22	1738	294	-3 E	4	50	2	80
14157 83	7	8.16	1737	186	+21 E	2	10	2	20	14197 83	7	27.22	1738	294	-13 E	2	20	2	40
14158 83	7	8.16	1737	186	+14 E	3	20	1	40	14198 83	7	27.22	1738	294	-31 E	5	20	2	50
14159 83	7	8.16	1737	186	-15 E	12	30	2	110	14199 83	7	27.22	1738	294	-39 E	1	30	2	20
14160 83	7	8.16	1737	186	-47 E	3	40	2	30	14200 83	7	27.22	1738	294	-87 E	1	10	2	10
14161 83	7	8.16	1737	6	+23 W	11	40	1	70	14201 83	7	27.22	1738	114	-8 W	8	30	2	110
14162 83	7	9.17	1737	172	+52 E	2	20	2	30	14202 83	7	27.22	1738	114	+23 W	1	60	2	30
14163 83	7	9.17	1737	172	+13 E	3	30	2	70	14203 83	7	27.22	1738	114	+42 W	3	10	2	20
14164 83	7	9.17	1737	172	-8 E	5	30	2	90	14204 83	7	27.22	1738	114	+50 W	4	20	2	50
14165 83	7	9.17	1737	172	-48 E	4	20	2	60	14205 83	7	31.20	1738	242	+30 E	6	60	2	70
14166 83	7	9.17	1737	352	-47 W	5	20	1	40	14206 83	7	31.20	1738	242	+9 E	1	10	2	10
14167 83	7	9.17	1737	352	-36 W	9	20	3	100	14207 83	7	31.20	1738	242	+3 E	2	20	2	60
14168 83	7	9.17	1737	352	+1 W	4	50	2	130	14208 83	7	31.20	1738	242	-12 E	3	20	1	30
14169 83	7	9.17	1737	352	+28 W	5	20	2	40	14209 83	7	31.20	1738	242	-22 E	4	10	2	20
14170 83	7	15.27	1737	272	-44 W	13	50	2	220	14210 83	7	31.20	1738	62	+23 W	6	20	2	60
14171 83	7	15.27	1737	272	+30 W	3	20	2	60	14211 83	7	31.20	1738	62	+49 W	3	20	2	40
14172 83	7	16.20	1738	80	+59 E	1	10	2	10	14212 83	8	1.26	1738	228	+32 E	5	30	2	100
14173 83	7	16.20	1738	80	+51 E	4	50	1	50	14213 83	8	1.26	1738	228	+21 E	3	30	2	50
14174 83	7	16.20	1738	80	+30 E	8	20	2	90	14214 83	8	1.26	1738	228	+9 E	2	30	1	50
14175 83	7	16.20	1738	80	+16 E	2	20	1	40	14215 83	8	1.26	1738	228	-16 E	2	70	1	100
14176 83	7	16.20	1738	260	-43 W	15	70	2	160	14216 83	8	1.26	1738	228	-27 E	3	20	2	30
14177 83	7	18.17	1738	54	+28 E	10	40	2	170	14217 83	8	1.26	1738	48	+51 W	8	70	2	150
14178 83	7	18.17	1738	234	-28 W	12	20	2	60	14218 83	8	6.23	1738	162	+47 E	6	40	3	110
14179 83	7	18.17	1738	234	+16 W	5	40	2	90	14219 83	8	6.23	1738	162	+3 E	2	20	2	20
14180 83	7	18.17	1738	234	+25 W	3	40	2	50	14220 83	8	6.23	1738	162	-4 E	3	20	2	30
14181 83	7	25.26	1738	320	+62 E	1	20	2	20	14221 83	8	6.23	1738	162	-22 E	5	30	2	70
14182 83	7	25.26	1738	320	+47 E	1	30	2	30	14222 83	8	6.23	1738	342	-32 W	9	30	2	150
14183 83	7	25.26	1738	320	-18 E	11	20	2	100	14223 83	8	6.23	1738	342	+35 W	7	50	2	60
14184 83	7	25.26	1738	320	-31 E	1	20	2	20	14224 83	8	10.39	1738	107	+77 E	2	20	1	40
14185 83	7	25.26	1738	320	-38 E	1	10	1	10	14225 83	8	10.39	1738	107	+48 E	2	10	1	20
14186 83	7	25.26	1738	320	-46 E	5	20	2	60	14226 83	8	10.39	1738	107	+30 E	2	10	1	20
14187 83	7	25.26	1738	140	-33 W	2	30	2	50	14227 83	8	10.39	1738	107	+7 E	8	50	2	90
14188 83	7	25.26	1738	140	-22 W	4	40	2	90	14228 83	8	10.39	1738	107	-11 E	8	30	2	70
14189 83	7	25.26	1738	140	-8 W	8	40	1	70	14229 83	8	10.39	1738	107	-36 E	11	70	2	120
14190 83	7	25.26	1738	140	+12 W	19	80	2	290	14230 83	8	10.39	1738	287	-21 W	1	40	1	20

TABLE 1 CONTINUED

TABLE 1 CONTINUED

14231 83	8	10.39	1738	287	+24 W	4	10	1	40	14271 83	8	31.21	1739	12	-32 W	10	50	2	220
14232 83	8	10.39	1738	287	+42 W	3	20	1	20	14272 83	8	31.21	1739	12	-10 W	1	60	1	40
14233 83	8	10.39	1738	287	+84 W	5	20	1	40	14273 83	8	31.21	1739	12	+10 W	9	50	1	80
14234 83	8	15.27	1739	43	+78 E	3	30	1	40	14274 83	8	31.21	1739	12	+50 W	4	20	2	40
14235 83	8	15.27	1739	43	+50 E	1	20	1	20	14275 83	9	1.21	1739	179	+51 E	1	40	1	40
14236 83	8	15.27	1739	43	+46 E	3	10	2	20	14276 83	9	1.21	1739	179	+26 E	4	20	2	50
14237 83	8	15.27	1739	43	+2 E	1	10	1	10	14277 83	9	1.21	1739	179	+11 E	2	40	2	50
14238 83	8	15.27	1739	223	-79 W	3	20	1	40	14278 83	9	1.21	1739	179	-25 E	2	30	2	40
14239 83	8	15.27	1739	223	-71 W	7	50	2	60	14279 83	9	1.21	1739	179	-39 E	1	50	2	50
14240 83	8	15.27	1739	223	-65 W	1	30	1	20	14280 83	9	1.21	1739	359	-52 W	4	20	2	50
14241 83	8	15.27	1739	223	+42 W	3	50	2	60	14281 83	9	1.21	1739	359	-32 W	5	30	2	110
14242 83	8	15.27	1739	223	+78 W	1	40	1	20	14282 83	9	1.21	1739	359	-11 W	100	2	70	
14243 83	8	16.23	1739	30	+82 E	2	20	1	30	14283 83	9	2.21	1739	166	+38 E	25	40	2	220
14244 83	8	16.23	1739	30	+55 E	3	20	2	40	14284 83	9	2.21	1739	166	+16 E	3	30	2	50
14245 83	8	16.23	1739	210	-25 W	2	20	2	50	14285 83	9	2.21	1739	166	+5 E	1	20	2	20
14246 83	8	16.23	1739	210	+30 W	3	20	2	30	14286 83	9	2.21	1739	166	-16 E	5	40	2	70
14247 83	8	16.23	1739	210	+39 W	2	20	1	30	14287 83	9	2.21	1739	346	-49 W	2	30	2	50
14248 83	8	16.23	1739	210	+87 W	3	20	2	30	14288 83	9	2.21	1739	346	-17 W	4	50	2	110
14249 83	8	19.26	1739	350	+23 E	4	60	3	160	14289 83	9	2.21	1739	346	+29 W	2	60	2	50
14250 83	8	19.26	1739	170	+83 W	5	50	1	80	14290 83	9	3.35	1739	151	+28 E	55	140	2	890
14251 83	8	21.23	1739	324	-19 E	28	110	2	650	14291 83	9	3.35	1739	331	-13 W	5	10	2	40
14252 83	8	21.23	1739	144	-25 W	8	50	2	160	14292 83	9	3.35	1739	331	+33 W	3	50	2	50
14253 83	8	21.23	1739	144	-1 W	10	40	2	160	14293 83	9	5.29	1739	125	+33 E	3	50	2	50
14254 83	8	21.23	1739	144	+36 W	1	30	1	40	14294 83	9	5.29	1739	125	-26 E	1	50	2	50
14255 83	8	21.23	1739	144	+45 W	3	40	2	60	14295 83	9	5.29	1739	125	-33 E	6	60	2	160
14256 83	8	26.21	1739	258	+42 E	1	10	2	30	14296 83	9	5.29	1739	305	-49 W	1	30	2	30
14257 83	8	26.21	1739	258	+35 E	2	40	2	50	14297 83	9	5.29	1739	305	-41 W	1	40	2	60
14258 83	8	26.21	1739	258	+12 E	14	40	2	170	14298 83	9	5.29	1739	305	+11 W	3	30	2	50
14259 83	8	26.21	1739	258	-3 E	1	30	2	40	14299 83	9	5.29	1739	305	+49 W	10	20	2	110
14260 83	8	26.21	1739	258	-28 E	3	10	2	30	14300 83	9	8.59	1740	82	+18 E	1	50	2	50
14261 83	8	27.35	1739	243	+30 E	6	60	2	140	14301 83	9	8.59	1740	82	-20 E	2	30	2	50
14262 83	8	27.35	1739	243	+4 E	6	20	2	100	14302 83	9	8.59	1740	82	-42 E	5	40	2	110
14263 83	8	27.35	1739	63	+20 W	7	40	2	120	14303 83	9	8.59	1740	262	-48 W	4	30	2	80
14264 83	8	28.20	1739	232	+33 E	12	50	2	140	14304 83	9	8.59	1740	262	-35 W	3	30	2	60
14265 83	8	28.20	1739	52	-8 W	5	20	2	60	14305 83	9	8.59	1740	262	+31 W	6	50	2	70
14266 83	8	28.20	1739	52	+20 W	1	30	2	50	14306 83	9	8.59	1740	262	+33 W	2	20	2	40
14267 83	8	31.21	1739	192	+11 E	2	10	2	20	14307 83	9	15.52	1740	350	+55 E	3	30	2	70
14268 83	8	31.21	1739	192	+3 E	3	10	2	30	14308 83	9	15.52	1740	350	-23 E	16	90	2	310
14269 83	8	31.21	1739	192	-17 E	3	30	2	80	14309 83	9	15.52	1740	170	-53 W	1	40	2	40
14270 83	8	31.21	1739	192	-32 E	1	30	1	30	14310 83	9	15.52	1740	170	-17 W	1	30	2	30

TABLE 1 CONTINUED

14311 83	9	16.25	1740	341	- 6 E	2	30	2	50	14351 83	9	27.25	1740	15	+12 W	6	100	2	340
14312 83	9	16.25	1740	341	-13 E	1	60	2	80	14352 83	9	28.25	1740	2	-27 W	14	60	2	290
14313 83	9	16.25	1740	341	-27 E	8	40	2	160	14353 83	9	29.32	1740	168	+66 E	3	30	2	60
14314 83	9	16.25	1740	161	-48 W	2	40	2	50	14354 83	9	29.32	1740	168	-20 E	4	100	2	220
14315 83	9	16.25	1740	161	-28 W	6	30	2	70	14355 83	9	29.32	1740	156	-41 E	4	60	2	100
14316 83	9	16.25	1740	161	-20 W	1	20	1	30	14356 83	9	30.24	1740	156	+43 E	11	50	2	220
14317 83	9	16.25	1740	161	-11 W	4	30	2	70	14357 83	9	30.24	1740	156	+ 8 E	15	40	2	410
14318 83	9	16.25	1740	161	+ 3 W	10	50	2	220	14358 83	9	30.24	1740	156	- 7 E	7	40	2	130
14319 83	9	16.25	1740	161	+19 W	1	50	2	50	14359 83	9	30.24	1740	336	+32 W	4	40	2	100
14320 83	9	16.25	1740	161	+27 W	5	80	2	230	14360 83	10	1.30	1740	142	+54 E	10	100	2	340
14321 83	9	19.58	1740	297	+33 E	11	80	2	230	14361 83	10	1.30	1740	322	-28 W	2	30	2	50
14322 83	9	19.58	1740	297	-32 E	5	40	2	110	14362 83	10	1.30	1740	322	+33 W	2	40	2	60
14323 83	9	19.58	1740	117	-40 W	8	60	2	230	14363 83	10	2.40	1740	128	+43 E	9	50	2	200
14324 83	9	19.58	1740	117	+28 W	9	50	2	240	14364 83	10	2.40	1740	128	- 8 E	9	50	2	200
14325 83	9	20.29	1740	287	+30 E	11	60	2	150	14365 83	10	2.40	1740	308	+35 W	3	40	2	50
14326 83	9	20.29	1740	287	-22 E	10	30	2	130	14366 83	10	5.59	1741	85	-36 E	5	50	2	140
14327 83	9	20.29	1740	107	-42 W	12	40	2	140	14367 83	10	5.59	1741	265	+29 W	7	20	2	110
14328 83	9	20.29	1740	107	+15 W	1	60	2	40	14368 83	10	6.25	1741	77	+33 E	100	1	120	20
14329 83	9	20.29	1740	107	+27 W	2	60	2	70	14369 83	10	6.25	1741	77	-43 E	8	30	2	120
14330 83	9	20.29	1740	107	+39 W	1	50	2	50	14370 83	10	6.25	1741	257	-38 W	2	20	2	40
14331 83	9	21.29	1740	274	+34 E	5	50	2	120	14371 83	10	6.25	1741	257	-27 W	100	1	60	1
14332 83	9	21.29	1740	274	-14 E	4	40	2	60	14372 83	10	6.25	1741	257	- 8 W	4	120	1	210
14333 83	9	21.29	1740	274	-26 E	3	30	2	70	14373 83	10	6.25	1741	257	+ 3 W	1	50	2	40
14334 83	9	23.58	1740	244	+42 E	1	40	2	30	14374 83	10	6.25	1741	257	+38 W	5	20	2	70
14335 83	9	23.58	1740	244	+37 E	1	20	2	20	14375 83	10	8.26	1741	50	+24 E	2	10	2	20
14336 83	9	23.58	1740	244	- 6 E	1	60	2	70	14376 83	10	8.26	1741	50	+19 E	2	50	2	30
14337 83	9	23.58	1740	244	-18 E	6	50	2	60	14377 83	10	8.26	1741	50	- 2 E	8	80	2	280
14338 83	9	23.58	1740	244	-27 E	1	40	2	40	14378 83	10	8.26	1741	50	-48 E	2	40	2	50
14339 83	9	23.58	1740	244	-32 E	1	20	2	30	14379 83	10	8.26	1741	230	-50 W	6	30	2	140
14340 83	9	23.58	1740	244	-47 E	1	40	2	40	14380 83	10	8.26	1741	230	-35 W	8	50	1	90
14341 83	9	23.58	1740	64	+17 W	13	80	2	450	14381 83	10	8.26	1741	230	- 8 W	8	60	2	110
14342 83	9	26.31	1740	208	+50 E	2	10	2	20	14382 83	10	8.26	1741	230	+28 W	2	30	2	40
14343 83	9	26.31	1740	208	-29 E	6	40	2	130	14383 83	10	10.45	1741	21	+51 E	2	40	2	60
14344 83	9	26.31	1740	28	-37 W	1	20	2	20	14384 83	10	10.45	1741	21	+38 E	3	50	2	90
14345 83	9	26.31	1740	28	+10 W	11	110	2	390	14385 83	10	10.45	1741	21	-21 E	1	60	2	60
14346 83	9	26.31	1740	28	+33 W	9	60	2	180	14386 83	10	10.45	1741	201	-52 W	2	40	2	50
14347 83	9	27.25	1740	195	-20 E	1	30	2	50	14387 83	10	10.45	1741	201	-44 W	2	30	2	40
14348 83	9	27.25	1740	195	-35 E	2	40	2	40	14388 83	10	13.55	1741	340	-18 E	2	30	2	50
14349 83	9	27.25	1740	195	-42 E	1	20	2	20	14389 83	10	13.55	1741	160	-23 W	2	30	2	50
14350 83	9	27.25	1740	15	-27 W	16	50	2	410	14390 83	10	13.55	1741	160	-12 W	4	40	2	70

TABLE 1 CONTINUED

TABLE 1 CONTINUED

14391 83 10	13.55	1741	160	+ 8 W	6	70	2	260	14431 83 10	25.50	1741	183	-43 E	2	40	1	40
14392 83 10	13.55	1741	160	+23 W	6	40	2	140	14432 83 10	25.50	1741	3	-27 W	5	50	2	160
14393 83 10	14.29	1741	331	+47 E	2	40	2	60	14433 83 10	25.50	1741	3	+47 W	5	40	2	80
14394 83 10	14.29	1741	331	-18 E	3	60	2	90	14434 83 10	27.35	1741	158	+39 E	2	50	2	60
14395 83 10	14.29	1741	151	- 8 W	5	50	2	140	14435 83 10	27.35	1741	158	+18 E	22	60	2	260
14396 83 10	14.29	1741	151	+ 9 W	8	70	2	200	14436 83 10	27.35	1741	158	+ 2 E	8	30	2	110
14397 83 10	15.27	1741	318	+46 E	1	30	2	30	14437 83 10	27.35	1741	158	-20 E	12	60	2	250
14398 83 10	15.27	1741	318	-19 E	3	40	2	110	14438 83 10	28.38	1741	145	+49 E	9	20	2	70
14399 83 10	15.27	1741	138	-32 W	4	30	2	40	14439 83 10	28.38	1741	145	+20 E	9	20	1	60
14400 83 10	15.27	1741	138	- 7 W	1	50	2	50	14440 83 10	28.38	1741	145	+ 3 E	2	40	2	70
14401 83 10	15.27	1741	138	+13 W	5	30	2	80	14441 83 10	28.38	1741	145	-11 E	1	110	1	60
14402 83 10	15.27	1741	138	+33 W	6	40	2	80	14442 83 10	28.38	1741	145	-23 E	12	60	3	170
14403 83 10	16.30	1741	304	+68 E	80	2	70	30	14443 83 10	28.38	1741	325	-39 W	1	40	2	40
14404 83 10	16.30	1741	304	+31 E	2	20	3	40	14444 83 10	28.38	1741	116	-28 W	7	20	2	120
14405 83 10	16.30	1741	124	-38 W	3	20	2	40	14445 83 10	30.56	1741	116	+80 E	12	70	2	250
14406 83 10	16.30	1741	124	-32 W	2	10	2	20	14446 83 10	30.56	1741	296	+28 W	6	20	2	70
14407 83 10	16.30	1741	124	- 7 W	2	30	2	30	14447 83 10	30.56	1741	296	+ 9 W	3	20	2	40
14408 83 10	16.30	1741	124	- 2 W	4	10	2	40	14448 83 10	30.56	1741	296	+21 W	3	30	2	50
14409 83 10	16.30	1741	124	+ 6 W	1	50	1	40	14449 83 11	1.45	1741	91	+15 E	9	50	2	150
14410 83 10	16.30	1741	124	+19 W	2	20	2	30	14450 83 11	1.45	1741	91	+ 5 E	1	20	1	10
14411 83 10	16.30	1741	124	+25 W	1	30	1	30	14451 83 11	1.45	1741	91	- 7 E	8	30	2	80
14412 83 10	16.30	1741	124	+42 W	11	40	2	150	14452 83 11	1.45	1741	91	-35 E	5	30	2	50
14413 83 10	20.54	1741	248	-42 E	1	40	2	30	14453 83 11	1.45	1741	271	+42 W	4	20	1	40
14414 83 10	20.54	1741	68	+17 W	3	40	2	60	14454 83 11	3.56	1742	63	+ 7 E	25	60	3	320
14415 83 10	23.27	1741	212	+54 E	2	20	2	50	14455 83 11	3.56	1742	63	-43 E	2	10	2	20
14416 83 10	23.27	1741	212	+41 E	1	20	1	30	14456 83 11	3.56	1742	63	-54 E	1	30	2	20
14417 83 10	23.27	1741	212	- 1 E	2	10	2	20	14457 83 11	3.56	1742	243	-51 W	1	10	1	10
14418 83 10	23.27	1741	212	-47 E	3	40	2	60	14458 83 11	3.56	1742	243	-35 W	1	20	1	20
14419 83 10	23.27	1741	32	-28 W	6	40	2	70	14459 83 11	3.56	1742	243	-14 W	1	40	2	20
14420 83 10	23.27	1741	32	+32 W	2	20	2	40	14460 83 11	3.56	1742	243	+ 4 W	9	50	2	100
14421 83 10	23.27	1741	32	+44 W	1	20	1	20	14461 83 11	3.56	1742	243	+36 W	2	30	2	50
14422 83 10	24.26	1741	199	+51 E	2	20	2	30	14462 83 11	7.46	1742	12	+31 E	1	20	1	20
14423 83 10	24.26	1741	19	-42 W	1	40	2	30	14463 83 11	7.46	1742	12	+ 5 E	1	20	1	20
14424 83 10	24.26	1741	19	-19 W	2	20	2	30	14464 83 11	7.46	1742	12	-12 E	1	20	1	20
14425 83 10	24.26	1741	19	+15 W	3	20	2	30	14465 83 11	7.46	1742	192	-47 W	17	60	2	140
14426 83 10	24.26	1741	19	+43 W	4	40	2	80	14466 83 11	8.28	1742	1	+30 E	5	50	2	40
14427 83 10	25.50	1741	183	+38 E	3	10	2	30	14467 83 11	8.28	1742	181	+37 W	3	40	2	70
14428 83 10	25.50	1741	183	+26 E	1	40	1	40	14468 83 11	9.32	1742	347	+41 E	1	40	2	30
14429 83 10	25.50	1741	183	-12 E	3	50	2	50	14469 83 11	9.32	1742	347	+29 E	5	40	3	80
14430 83 10	25.50	1741	183	-35 E	3	30	2	60	14470 83 11	9.32	1742	347	+ 1 E	5	10	2	20

TABLE 1 CONTINUED

TABLE 1 CONTINUED

14471	83 11	9.32	1742	347	-14 E	10	50	3	180	14511	83 11	14.30	1742	101	+28 W	1	10	1	10	30
14472	83 11	9.32	1742	167	-45 W	15	40	3	160	14512	83 11	14.30	1742	101	+40 W	3	50	2	50	50
14473	83 11	9.32	1742	167	-13 W	4	90	3	70	14513	83 11	15.29	1742	268	+44 E	1	30	2	20	20
14474	83 11	9.32	1742	167	+5 W	17	30	3	340	14514	83 11	15.29	1742	268	+36 E	2	30	2	40	40
14475	83 11	9.32	1742	167	+36 W	10	80	3	460	14515	83 11	15.29	1742	268	+11 E	6	70	3	90	90
14476	83 11	10.27	1742	334	+49 E	1	20	2	20	14516	83 11	15.29	1742	268	+2 E	1	10	1	10	10
14477	83 11	10.27	1742	334	+45 E	4	50	3	110	14517	83 11	15.29	1742	268	-30 E	1	10	1	10	20
14478	83 11	10.27	1742	334	+38 E	1	30	1	30	14518	83 11	15.29	1742	268	-38 E	3	10	2	20	30
14479	83 11	10.27	1742	334	+35 E	1	20	1	10	14519	83 11	15.29	1742	268	-45 E	2	30	2	30	30
14480	83 11	10.27	1742	334	-14 E	11	30	2	250	14520	83 11	15.29	1742	88	-39 W	2	20	2	40	40
14481	83 11	10.27	1742	154	-47 W	5	20	2	50	14521	83 11	15.29	1742	88	-30 W	2	20	2	40	40
14482	83 11	10.27	1742	154	-40 W	5	20	1	50	14522	83 11	15.29	1742	88	-13 W	5	20	2	70	20
14483	83 11	10.27	1742	154	-26 W	60	2	30	30	14523	83 11	15.29	1742	88	-4 W	1	40	2	20	20
14484	83 11	10.27	1742	154	-12 W	1	10	1	10	14524	83 11	15.29	1742	88	+9 W	3	20	2	30	30
14485	83 11	10.27	1742	154	+9 W	16	40	3	430	14525	83 11	15.29	1742	88	+14 W	1	10	1	10	20
14486	83 11	10.27	1742	154	+30 W	1	50	2	30	14526	83 11	15.29	1742	88	+40 W	2	20	2	30	30
14487	83 11	10.27	1742	154	+35 W	3	100	3	420	14527	83 11	17.55	1742	238	-8 E	2	10	1	20	20
14488	83 11	10.27	1742	154	+45 W	2	40	2	50	14528	83 11	17.55	1742	238	-19 E	2	10	1	20	50
14489	83 11	12.56	1742	304	+51 E	4	30	2	60	14529	83 11	17.55	1742	58	-16 W	10	20	2	130	130
14490	83 11	12.56	1742	304	+22 E	18	70	3	440	14530	83 11	18.28	1742	229	+53 E	2	30	2	30	30
14491	83 11	12.56	1742	304	-25 E	7	40	3	190	14531	83 11	18.28	1742	229	+43 E	2	10	2	20	20
14492	83 11	12.56	1742	124	+21 W	6	20	2	60	14532	83 11	18.28	1742	49	-49 W	5	10	2	50	50
14493	83 11	12.56	1742	124	+43 W	4	30	2	50	14533	83 11	18.28	1742	49	-28 W	12	30	2	120	120
14494	83 11	12.56	1742	124	+51 W	2	20	2	30	14534	83 11	18.28	1742	49	-15 W	10	40	2	240	240
14495	83 11	13.38	1742	293	+52 E	5	20	2	40	14535	83 11	18.28	1742	49	+4 W	2	40	2	40	40
14496	83 11	13.38	1742	293	+25 E	21	50	3	430	14536	83 11	18.28	1742	49	+9 W	2	10	2	20	20
14497	83 11	13.38	1742	293	-35 E	1	10	1	10	14537	83 11	19.29	1742	215	+62 E	4	20	2	50	50
14498	83 11	13.38	1742	293	-45 E	3	20	2	30	14538	83 11	19.29	1742	215	+41 E	2	20	2	40	40
14499	83 11	13.38	1742	113	-32 W	6	20	2	60	14539	83 11	19.29	1742	215	-46 E	3	40	2	60	60
14500	83 11	13.38	1742	113	+5 W	2	30	1	40	14540	83 11	19.29	1742	35	-59 W	2	10	1	20	20
14501	83 11	13.38	1742	113	+13 W	2	20	2	30	14541	83 11	19.29	1742	35	-49 W	3	10	1	30	30
14502	83 11	13.38	1742	113	+41 W	9	50	2	90	14542	83 11	19.29	1742	35	-28 W	6	50	2	180	180
14503	83 11	14.30	1742	281	+49 E	1	10	1	10	14543	83 11	19.29	1742	35	-18 W	8	30	2	150	150
14504	83 11	14.30	1742	281	+44 E	1	10	1	10	14544	83 11	19.29	1742	35	+13 W	6	30	2	70	70
14505	83 11	14.30	1742	281	+36 E	1	10	1	10	14545	83 11	20.37	1742	201	+63 E	2	20	2	40	40
14506	83 11	14.30	1742	281	+28 E	6	30	2	70	14546	83 11	20.37	1742	21	-50 W	3	30	2	50	50
14507	83 11	14.30	1742	281	-27 E	2	30	2	50	14547	83 11	20.37	1742	21	-29 W	3	40	2	70	70
14508	83 11	14.30	1742	281	-42 E	2	50	3	70	14548	83 11	20.37	1742	21	-13 W	3	10	2	30	30
14509	83 11	14.30	1742	101	-33 W	7	20	2	60	14549	83 11	24.34	1742	149	+47 E	2	10	2	20	20
14510	83 11	14.30	1742	101	+14 W	6	20	2	90	14550	83 11	24.34	1742	149	+40 E	3	30	2	60	60

TABLE 1 CONTINUED

TABLE 1 CONTINUED

14551	83	11	24.34	1742	149	+17 E	12	30	2	240	14591	83	12	12.35	1743	91	+8 W	14	40	3	120
14552	83	11	24.34	1742	329	+37 W	2	20	1	30	14592	83	12	14.34	1743	245	+40 E	7	60	2	110
14553	83	12	1.52	1743	54	+12 E	4	70	2	100	14593	83	12	14.34	1743	245	+3 E	1	60	1	20
14554	83	12	1.52	1743	54	-18 E	21	60	3	520	14594	83	12	14.34	1743	65	-44 W	4	30	2	70
14555	83	12	1.52	1743	54	-44 E	2	40	2	40	14595	83	12	14.34	1743	65	+20 W	1	20	1	10
14556	83	12	1.52	1743	234	-15 W	3	70	2	110	14596	83	12	14.34	1743	65	+33 W	4	30	2	70
14557	83	12	2.30	1743	44	+11 E	4	70	2	80	14597	83	12	14.34	1743	65	+43 W	4	20	2	30
14558	83	12	2.30	1743	44	-17 E	20	70	3	220	14598	83	12	14.34	1743	65	+48 W	2	20	2	30
14559	83	12	2.30	1743	224	-19 W	7	70	2	90	14599	83	12	15.31	1743	232	+48 E	5	50	2	50
14560	83	12	2.30	1743	224	+51 W	4	50	2	80	14600	83	12	15.31	1743	232	-21 E	1	10	1	10
14561	83	12	3.34	1743	30	+34 E	1	10	1	10	14601	83	12	15.31	1743	52	-44 W	1	40	2	30
14562	83	12	3.34	1743	30	+21 E	2	20	2	40	14602	84	1	6.34	1744	301	+42 E	3	10	2	20
14563	83	12	3.34	1743	30	+12 E	2	40	2	50	14603	84	1	6.34	1744	301	+23 E	4	120	3	260
14564	83	12	3.34	1743	30	-18 E	12	60	3	180	14604	84	1	6.34	1744	301	-6 E	3	20	2	30
14565	83	12	3.34	1743	210	-46 W	11	40	2	120	14605	84	1	6.34	1744	301	-22 E	2	50	2	70
14566	83	12	3.34	1743	210	-22 W	7	20	2	70	14606	84	1	6.34	1744	121	-42 W	4	20	2	50
14567	83	12	3.34	1743	210	+44 W	9	50	2	90	14607	84	1	6.34	1744	121	-22 W	6	20	2	70
14568	83	12	4.29	1743	17	-5 E	3	30	2	30	14608	84	1	6.34	1744	121	+3 W	1	10	1	10
14569	83	12	4.29	1743	17	-28 E	9	70	2	220	14609	84	1	6.34	1744	121	+22 W	4	10	2	30
14570	83	12	4.29	1743	197	-88 W	1	20	1	20	14610	84	1	6.34	1744	121	+43 W	3	30	1	40
14571	83	12	4.29	1743	197	+49 W	2	30	1	30	14611	84	1	7.34	1744	288	+22 E	3	80	3	190
14572	83	12	5.31	1743	4	+24 E	2	10	1	10	14612	84	1	7.34	1744	288	+3 E	2	10	2	20
14573	83	12	5.31	1743	4	-2 E	4	20	1	30	14613	84	1	7.34	1744	288	-10 E	1	10	1	10
14574	83	12	5.31	1743	4	-14 E	1	10	1	10	14614	84	1	7.34	1744	288	-23 E	8	50	3	80
14575	83	12	5.31	1743	4	-30 E	3	20	2	50	14615	84	1	7.34	1744	108	-38 W	5	30	2	90
14576	83	12	5.31	1743	184	-50 W	1	40	2	30	14616	84	1	7.34	1744	108	-20 W	9	30	3	130
14577	83	12	5.31	1743	184	+32 W	7	60	3	150	14617	84	1	7.34	1744	108	+1 W	1	40	2	20
14578	83	12	5.31	1743	184	+41 W	1	10	2	10	14618	84	1	7.34	1744	108	+41 W	5	20	2	30
14579	83	12	8.45	1743	323	+1 E	2	10	1	20	14619	84	1	11.36	1744	235	+21 E	2	40	2	40
14580	83	12	8.45	1743	143	-49 W	6	10	2	40	14620	84	1	11.36	1744	235	+8 E	1	10	1	10
14581	83	12	8.45	1743	143	-35 W	1	10	1	10	14621	84	1	11.36	1744	55	-5 W	13	30	3	100
14582	83	12	8.45	1743	143	-28 W	4	50	2	120	14622	84	1	11.36	1744	55	-46 W	3	30	2	60
14583	83	12	8.45	1743	143	+9 W	2	20	2	40	14623	84	1	11.36	1744	55	-34 W	3	10	2	20
14584	83	12	8.45	1743	143	+16 W	2	40	2	40	14624	84	1	11.36	1744	55	-25 W	3	10	2	20
14585	83	12	8.45	1743	143	+22 W	4	170	3	310	14625	84	1	12.29	1744	223	+36 E	1	40	2	30
14586	83	12	8.45	1743	143	+34 W	1	10	2	10	14626	84	1	12.29	1744	223	-1 E	4	10	1	20
14587	83	12	8.45	1743	143	+42 W	6	40	2	60	14627	84	1	12.29	1744	223	-18 E	5	10	1	20
14588	83	12	12.35	1743	271	-37 E	9	50	2	70	14628	84	1	13.30	1744	209	+51 E	1	10	1	10
14589	83	12	12.35	1743	91	-27 W	16	60	3	330	14629	84	1	13.30	1744	209	+34 E	3	30	2	70
14590	83	12	12.35	1743	91	-6 W	2	20	1	10	14630	84	1	13.30	1744	209	-29 E	3	30	2	40

TABLE 1 CONTINUED

TABLE 1 CONTINUED

14631 84	1	13.30	1744	29	-33 W	2	20	1	20	1	20	1	20	2	40
14632 84	1	13.30	1744	29	+1 W	3	10	2	20	1	20	2	20	2	20
14633 84	1	13.30	1744	29	+11 W	4	40	2	50						20
14634 84	1	18.41	1744	142	+33 E	8	40	2	120						30
14635 84	1	18.41	1744	142	+13 E	4	20	2	40						40
14636 84	1	18.41	1744	142	-42 E	6	30	2	50						10
14637 84	1	18.41	1744	322	+21 W	16	60	3	260						20
14638 84	1	19.36	1744	129	+41 E	13	50	3	200						140
14639 84	1	19.36	1744	129	+15 E	2	40	1	30						30
14640 84	1	19.36	1744	129	-13 E	2	40	1	50						40
14641 84	1	19.36	1744	129	-22 E	5	50	2	160						20
14642 84	1	19.36	1744	309	-9 W	3	50	2	70						60
14643 84	1	19.36	1744	309	+8 W	3	50	2	60						360
14644 84	1	19.36	1744	309	+17 W	8	60	3	210						60
14645 84	1	19.36	1744	309	+26 W	2	30	2	40						20
14646 84	1	21.32	1744	103	+50 E	4	40	1	70						60
14647 84	1	21.32	1744	103	+36 E	1	20	1	20						50
14648 84	1	21.32	1744	103	-54 E	1	40	1	20						30
14649 84	1	21.32	1744	283	-31 W	9	40	2	40						50
14650 84	1	21.32	1744	283	-21 W	2	40	2	40						50
14651 84	1	21.32	1744	283	-10 W	1	20	2	20						20
14652 84	1	21.32	1744	283	+32 W	6	30	2	40						80
14653 84	1	30.36	1745	344	+21 E	4	50	2	80						120
14654 84	1	30.36	1745	344	-10 E	3	30	2	60						280
14655 84	1	30.36	1745	164	-20 W	3	50	2	70						210
14656 84	1	30.36	1745	164	+12 W	22	50	3	470						30
14657 84	1	30.36	1745	164	+30 W	8	20	2	70						20
14658 84	2	1.48	1745	316	+28 E	1	50	2	70						30
14659 84	2	1.48	1745	316	+16 E	1	30	2	30						50
14660 84	2	1.48	1745	316	-16 E	1	20	2	30						210
14661 84	2	1.48	1745	136	-52 W	6	30	2	70						260
14662 84	2	1.48	1745	136	-41 W	1	10	1	10						80
14663 84	2	1.48	1745	136	+21 W	1	40	2	30						30
14664 84	2	1.48	1745	136	+41 W	9	30	2	80						200
14665 84	2	8.32	1745	226	+38 E	1	40	2	40						280
14666 84	2	8.32	1745	226	+9 E	2	20	2	40						50
14667 84	2	8.32	1745	226	+2 E	1	40	1	40						60
14668 84	2	8.32	1745	226	-19 E	14	40	2	210						220
14669 84	2	8.32	1745	46	+33 W	1	30	1	30						20
14670 84	2	8.32	1745	46	+42 W	3	30	1	60						90
14671 84	2	16.32	1745	120	+29 E	1	20	2	40						40
14672 84	2	16.32	1745	120	+3 E	1	20	2	20						20
14673 84	2	16.32	1745	120	-3 E	1	20	2	20						20
14674 84	2	16.32	1745	120	-29 E	1	30	1	30						30
14675 84	2	16.32	1745	120	-38 E	1	50	1	40						40
14676 84	2	16.32	1745	300	+21 W	1	10	2	10						10
14677 84	2	16.32	1745	300	+24 W	1	20	2	20						20
14678 84	2	17.34	1745	107	+28 E	12	30	2	140						140
14679 84	2	17.34	1745	107	+19 E	2	20	2	30						30
14680 84	2	17.34	1745	107	-7 E	2	20	1	40						40
14681 84	2	17.34	1745	107	-88 E	1	20	2	20						20
14682 84	2	17.34	1745	287	-11 W	5	10	2	60						60
14683 84	2	18.32	1745	94	+22 E	10	15	2	360						360
14684 84	2	18.32	1745	94	+4 E	5	20	2	60						60
14685 84	2	18.32	1745	274	-13 W	2	10	2	20						20
14686 84	2	18.32	1745	274	+33 W	4	20	2	60						60
14687 84	2	19.28	1746	81	+23 E	3	50	2	50						50
14688 84	2	19.28	1746	81	+12 E	4	30	1	30						30
14689 84	2	19.28	1746	81	+1 E	2	30	1	50						50
14690 84	2	19.28	1746	81	-7 E	1	50	1	50						50
14691 84	2	19.28	1746	81	-14 E	3	10	1	20						20
14692 84	2	20.44	1746	66	+18 E	6	40	1	80						80
14693 84	2	20.44	1746	66	-8 E	10	50	2	120						120
14694 84	2	20.44	1746	246	+7 W	13	50	2	280						280
14695 84	2	20.44	1746	246	+37 W	19	70	1	210						210
14696 84	2	21.56	1746	51	+33 E	1	30	2	30						30
14697 84	2	21.56	1746	51	+26 E	1	20	2	20						20
14698 84	2	21.56	1746	51	-11 E	1	30	1	30						30
14699 84	2	21.56	1746	51	-19 E	2	30	2	50						50
14700 84	2	21.56	1746	231	-24 W	6	60	2	210						210
14701 84	2	21.56	1746	231	-2 W	11	60	2	260						260
14702 84	2	21.56	1746	231	+41 W	4	40	1	80						80
14703 84	2	22.33	1746	41	+33 E	1	40	3	30						30
14704 84	2	22.33	1746	41	-9 E	11	70	2	200						200
14705 84	2	22.33	1746	221	-23 W	8	70	2	280						280
14706 84	2	22.33	1746	221	+33 W	6	20	2	50						50
14707 84	2	22.33	1746	221	+48 W	5	30	1	60						60
14708 84	2	29.34	1746	308	+18 E	13	60	2	220						220
14709 84	2	29.34	1746	128	-24 W	1	30	2	20						20
14710 84	2	29.34	1746	128	-11 W	6	50	1	90						90

TABLE 1 CONTINUED

TABLE 1 CONTINUED

14711 84	2	29.34	1746	128	+38 W	2	20	2	40	14751 84	3	14.31	1746	304	-6 W	1	30	1	30
14712 84	2	29.34	1746	128	+46 W	3	50	2	100	14752 84	3	14.31	1746	304	+25 W	8	20	2	80
14713 84	3	1.28	1746	296	+27 E	1	30	2	20	14753 84	3	15.33	1746	111	+39 E	13	40	3	150
14714 84	3	1.28	1746	116	-5 W	2	30	2	20	14754 84	3	15.33	1746	111	+14 E	19	150	3	240
14715 84	3	1.28	1746	116	+13 W	2	20	1	30	14755 84	3	15.33	1746	111	-5 E	10	40	3	80
14716 84	3	1.28	1746	116	+23 W	12	30	3	150	14756 84	3	15.33	1746	291	+30 W	6	30	2	60
14717 84	3	1.28	1746	116	+41 W	4	30	2	60	14757 84	3	15.33	1746	291	+42 W	1	30	1	20
14718 84	3	5.36	1746	242	+2 E	16	50	2	140	14758 84	3	16.30	1746	98	+40 E	16	40	3	130
14719 84	3	5.36	1746	242	-14 E	1	40	1	20	14759 84	3	16.30	1746	98	+66 E	2	20	2	30
14720 84	3	5.36	1746	62	-30 W	9	50	3	60	14760 84	3	16.30	1746	278	-66 W	3	20	2	50
14721 84	3	5.36	1746	62	+9 W	3	30	2	70	14761 84	3	16.30	1746	278	-37 W	1	10	1	10
14722 84	3	5.36	1746	62	+22 W	10	1	10	10	14762 84	3	16.30	1746	278	-25 W	2	20	1	20
14723 84	3	5.36	1746	62	+29 W	7	50	2	80	14763 84	3	16.30	1746	278	+1 W	12	60	3	140
14724 84	3	5.36	1746	62	+53 W	1	30	2	30	14764 84	3	16.30	1746	278	+32 W	3	20	2	30
14725 84	3	6.50	1746	227	+41 E	2	10	1	20	14765 84	3	16.30	1746	278	+40 W	5	30	2	50
14726 84	3	6.50	1746	47	-38 W	16	40	2	140	14766 84	3	16.30	1746	278	+68 W	10	60	2	80
14727 84	3	6.50	1746	47	+12 W	2	30	2	40	14767 84	3	17.29	1747	85	+49 E	4	40	1	20
14728 84	3	6.50	1746	47	+35 W	10	60	3	180	14768 84	3	17.29	1747	85	+39 E	5	40	2	60
14729 84	3	6.50	1746	47	+50 W	3	40	2	40	14769 84	3	17.29	1747	85	+26 E	5	30	3	120
14730 84	3	7.31	1746	216	+71 E	1	20	1	10	14770 84	3	17.29	1747	85	+15 E	1	50	2	40
14731 84	3	7.31	1746	216	+27 E	6	30	2	50	14771 84	3	17.29	1747	85	+10 E	3	40	2	50
14732 84	3	7.31	1746	216	+17 E	2	30	2	30	14772 84	3	17.29	1747	85	+2 E	2	20	1	30
14733 84	3	7.31	1746	36	-86 W	2	20	2	30	14773 84	3	17.29	1747	265	-28 W	6	20	2	50
14734 84	3	7.31	1746	36	-78 W	1	10	1	10	14774 84	3	17.29	1747	265	-18 W	1	10	1	10
14735 84	3	7.31	1746	36	-57 W	8	50	3	190	14775 84	3	17.29	1747	265	+28 W	2	20	2	30
14736 84	3	7.31	1746	36	-17 W	8	80	2	110	14776 84	3	17.29	1747	265	+40 W	3	60	3	90
14737 84	3	7.31	1746	36	-1 W	5	10	1	20	14777 84	3	19.32	1747	58	-12 E	1	20	2	40
14738 84	3	7.31	1746	36	+27 W	1	10	1	10	14778 84	3	19.32	1747	58	-21 E	9	30	3	80
14739 84	3	7.31	1746	36	+56 W	11	200	3	620	14779 84	3	19.32	1747	238	-11 W	1	50	2	20
14740 84	3	10.27	1746	177	+19 E	8	40	2	80	14780 84	3	19.32	1747	238	+26 W	1	40	2	20
14741 84	3	10.27	1746	177	-8 E	6	30	2	90	14781 84	3	19.32	1747	238	+39 W	2	40	2	50
14742 84	3	10.27	1746	357	-44 W	1	10	1	10	14782 84	3	20.51	1747	42	+31 E	7	40	2	90
14743 84	3	10.27	1746	357	-25 W	1	10	1	10	14783 84	3	20.51	1747	222	+26 W	4	20	2	30
14744 84	3	14.31	1746	124	+46 E	2	10	1	10	14784 84	3	20.51	1747	222	-8 W	4	20	1	40
14745 84	3	14.31	1746	124	+34 E	1	10	1	10	14785 84	3	21.30	1747	32	+32 E	6	40	3	90
14746 84	3	14.31	1746	124	+12 E	1	20	2	50	14786 84	3	21.30	1747	32	-17 E	3	20	2	40
14747 84	3	14.31	1746	124	+1 E	3	20	2	40	14787 84	3	21.30	1747	32	-41 E	4	40	2	40
14748 84	3	14.31	1746	124	-7 E	1	10	2	10	14788 84	3	21.30	1747	212	-24 W	6	50	3	130
14749 84	3	14.31	1746	124	-13 E	4	20	2	50	14789 84	3	21.30	1747	212	-7 W	6	40	2	40
14750 84	3	14.31	1746	304	-15 W	5	20	2	50	14790 84	3	22.30	1747	19	+35 E	5	70	3	120

TABLE 1 CONTINUED										TABLE 1 CONTINUED									
14791 84	3	22,30	1747	19	-42 E	5	120	3	130	14831 84	4	15,24	1748	63	-36 E	6	30	2	60
14792 84	3	22,30	1747	199	+13 W	3	40	2	90	14832 84	4	15,24	1748	243	+1 W	5	50	3	170
14793 84	3	22,30	1747	199	+28 W	4	80	3	190	14833 84	4	16,28	1748	49	+46 E	8	50	2	70
14794 84	3	22,30	1747	199	+37 W	6	30	2	80	14834 84	4	16,28	1748	49	+24 E	3	60	3	130
14795 84	3	22,30	1747	199	+52 W	19	40	3	230	14835 84	4	16,28	1748	49	-64 E	1	30	2	80
14796 84	3	23,37	1747	5	+36 E	1	50	2	40	14836 84	4	16,28	1748	229	-16 W	6	40	3	110
14797 84	3	23,37	1747	5	-13 E	6	40	2	80	14837 84	4	16,28	1748	229	+1 W	19	40	3	190
14798 84	3	23,37	1747	5	-37 E	2	90	3	70	14838 84	4	19,33	1748	9	+46 E	4	20	2	40
14799 84	3	23,37	1747	5	-44 E	8	20	3	60	14839 84	4	19,33	1748	9	-14 E	1	20	1	20
14800 84	3	23,37	1747	185	-26 W	4	30	2	50	14840 84	4	19,33	1748	9	-45 E	3	30	1	50
14801 84	3	23,37	1747	185	-11 W	3	130	2	140	14841 84	4	19,33	1748	189	-45 W	1	10	1	10
14802 84	3	23,37	1747	185	+9 W	9	40	3	120	14842 84	4	19,33	1748	189	-12 W	1	40	1	20
14803 84	3	23,37	1747	185	+20 W	7	60	3	130	14843 84	4	19,33	1748	189	+20 W	12	70	2	290
14804 84	3	24,34	1747	352	+42 E	2	60	2	50	14844 84	4	20,20	1748	357	+46 E	2	10	2	20
14805 84	3	24,34	1747	352	-17 E	1	40	2	10	14845 84	4	20,20	1748	357	+33 E	6	30	2	50
14806 84	3	24,34	1747	352	-41 E	1	10	1	10	14846 84	4	20,20	1748	357	+12 E	8	20	1	30
14807 84	3	24,34	1747	352	-49 E	3	20	2	40	14847 84	4	20,20	1748	357	-10 E	2	10	1	20
14808 84	3	24,34	1747	172	-33 W	2	20	1	20	14848 84	4	20,20	1748	357	-42 E	13	40	2	70
14809 84	3	24,34	1747	172	-19 W	1	10	1	10	14849 84	4	20,20	1748	177	-23 W	14	40	2	90
14810 84	3	24,34	1747	172	+6 W	1	10	1	10	14850 84	4	20,20	1748	177	+17 W	10	30	2	120
14811 84	3	24,34	1747	172	+16 W	1	10	1	10	14851 84	4	20,20	1748	177	+46 W	1	10	1	10
14812 84	3	24,34	1747	172	+24 W	9	40	3	120	14852 84	5	4,29	1748	171	+34 E	1	10	2	10
14813 84	3	25,28	1747	339	+8 E	5	30	1	30	14853 84	5	4,29	1748	171	+23 E	3	30	2	60
14814 84	3	25,28	1747	339	-28 E	10	60	2	190	14854 84	5	4,29	1748	171	-18 E	1	20	1	20
14815 84	3	25,28	1747	159	-29 W	6	20	1	20	14855 84	5	4,29	1748	171	-34 E	2	10	2	20
14816 84	3	25,28	1747	159	-14 W	5	10	1	20	14856 84	5	4,29	1748	351	-45 W	15	50	2	160
14817 84	3	25,28	1747	159	+21 W	6	60	2	50	14857 84	5	4,29	1748	351	-15 W	1	10	2	10
14818 84	3	25,28	1747	159	+38 W	6	20	2	30	14858 84	5	4,29	1748	351	-11 W	2	10	2	20
14819 84	3	28,36	1747	209	+18 E	7	10	1	30	14859 84	5	6,25	1748	145	+9 E	1	10	3	10
14820 84	3	28,36	1747	119	+3 W	2	10	2	20	14860 84	5	6,25	1748	145	-15 E	3	20	1	40
14821 84	3	28,36	1747	119	+11 W	3	20	2	40	14861 84	5	6,25	1748	325	-41 W	1	20	2	20
14822 84	3	28,36	1747	119	+28 W	5	20	2	50	14862 84	5	6,25	1748	325	-27 W	6	30	2	60
14823 84	3	28,36	1747	119	+46 W	5	80	2	70	14863 84	5	6,25	1748	325	-3 W	5	20	2	30
14824 84	4	10,35	1747	127	+37 E	6	30	1	50	14864 84	5	6,25	1748	325	+28 W	6	10	2	30
14825 84	4	10,35	1747	307	-28 W	2	40	1	50	14865 84	5	6,25	1748	325	+38 W	3	40	2	40
14826 84	4	14,28	1748	75	+35 E	28	30	2	160	14866 84	5	25,31	1749	254	-15 E	2	20	2	40
14827 84	4	14,28	1748	75	-20 E	20	50	2	140	14867 84	5	25,31	1749	254	-28 E	3	30	2	60
14828 84	4	14,28	1748	255	-2 W	19	40	3	280	14868 84	5	25,31	1749	74	-29 W	2	10	2	20
14829 84	4	14,28	1748	255	+43 W	11	60	2	100	14869 84	5	25,31	1749	74	+10 W	1	10	1	10
14830 84	4	15,24	1748	63	-18 E	5	30	2	40	14870 84	5	25,31	1749	74	+40 W	1	10	1	10

TABLE 1 CONTINUED

14871 84	5	27.31	1749	227	-5 E	2	20	2	40	14911 84	6	13.15	1750	5	+5 E	16	120	3	130
14872 84	5	27.31	1749	227	-21 E	2	10	2	20	14912 84	6	13.15	1750	5	-39 E	2	20	2	20
14873 84	5	27.31	1749	227	-65 E	1	10	1	10	14913 84	6	18.16	1750	299	+35 E	4	10	2	50
14874 84	5	27.31	1749	227	-81 E	1	10	1	10	14914 84	6	18.16	1750	299	-24 E	3	10	2	40
14875 84	5	27.31	1749	47	+41 W	1	10	2	20	14915 84	6	18.16	1750	119	+20 W	15	50	2	330
14876 84	5	27.31	1749	47	+56 W	9	20	2	50	14916 84	6	19.18	1750	286	-16 E	4	20	2	50
14877 84	6	1.19	1749	163	+29 E	1	10	1	10	14917 84	6	19.18	1750	106	+25 W	19	40	2	220
14878 84	6	1.19	1749	163	-11 E	4	10	2	20	14918 84	6	20.19	1750	272	-19 E	2	10	2	20
14879 84	6	1.19	1749	343	-41 W	7	30	2	60	14919 84	6	20.19	1750	92	-29 W	2	40	2	80
14880 84	6	1.19	1749	343	-13 W	2	20	1	20	14920 84	6	20.19	1750	92	-14 W	2	10	2	20
14881 84	6	1.19	1749	343	-4 W	5	10	1	20	14921 84	6	20.19	1750	92	+33 W	7	40	2	130
14882 84	6	1.19	1749	343	+11 W	2	20	2	30	14922 84	6	21.22	1750	259	-21 E	2	30	1	30
14883 84	6	1.19	1749	343	+53 W	14	20	2	90	14923 84	6	21.22	1750	259	-29 E	2	30	1	30
14884 84	6	2.21	1749	150	+29 E	4	20	2	40	14924 84	6	21.22	1750	79	-82 W	2	30	2	30
14885 84	6	2.21	1749	150	+10 E	2	40	2	30	14925 84	6	21.22	1750	79	-74 W	1	20	2	20
14886 84	6	2.21	1749	150	-36 E	2	20	2	40	14926 84	6	21.22	1750	79	+38 W	6	30	2	50
14887 84	6	2.21	1749	330	-52 W	5	20	2	20	14927 84	6	23.20	1750	232	+28 E	10	30	2	80
14888 84	6	2.21	1749	330	-43 W	5	30	3	80	14928 84	6	23.20	1750	52	-20 W	1	40	2	40
14889 84	6	2.21	1749	330	-32 W	10	60	3	310	14929 84	6	23.20	1750	52	+45 W	1	30	1	30
14890 84	6	3.25	1749	136	+11 E	5	30	2	70	14930 84	6	28.20	1750	166	+88 E	1	10	2	10
14891 84	6	3.25	1749	136	-35 E	9	30	1	50	14931 84	6	28.20	1750	166	+75 E	2	10	2	20
14892 84	6	3.25	1749	316	-35 W	9	60	3	230	14932 84	6	28.20	1750	166	+71 E	1	20	2	20
14893 84	6	3.25	1749	316	-12 W	9	40	2	50	14933 84	6	30.16	1750	141	+7 E	6	80	2	280
14894 84	6	3.25	1749	316	+31 W	9	40	3	150	14934 84	6	30.16	1750	141	-41 E	2	20	2	40
14895 84	6	4.17	1749	124	+10 E	10	50	3	240	14935 84	6	30.16	1750	321	-22 W	7	20	2	50
14896 84	6	4.17	1749	124	-22 E	4	40	2	40	14936 84	6	30.16	1750	321	+38 W	3	40	1	50
14897 84	6	4.17	1749	124	-39 E	4	30	2	40	14937 84	7	9.16	1751	22	-49 E	5	30	2	50
14898 84	6	4.17	1749	304	-35 W	12	70	3	260	14938 84	7	9.16	1751	22	+35 E	8	40	2	90
14899 84	6	4.17	1749	304	-15 W	2	80	3	120	14939 84	7	9.16	1751	22	+8 E	1	30	1	40
14900 84	6	4.17	1749	304	+20 W	4	40	3	40	14940 84	7	9.16	1751	22	-22 E	3	20	2	50
14901 84	6	4.17	1749	304	+36 W	5	50	3	130	14941 84	7	9.16	1751	22	-30 E	1	30	2	30
14902 84	6	4.17	1749	304	+50 W	2	20	2	30	14942 84	7	10.16	1751	9	+47 E	7	40	2	70
14903 84	6	5.29	1749	109	+42 E	2	20	1	20	14943 84	7	10.16	1751	9	+30 E	4	40	2	90
14904 84	6	5.29	1749	109	+24 E	22	30	2	200	14944 84	7	10.16	1751	9	-34 E	1	20	2	20
14905 84	6	5.29	1749	109	-23 E	2	50	2	50	14945 84	7	10.16	1751	189	-24 W	1	10	2	10
14906 84	6	5.29	1749	289	-39 W	8	40	2	60	14946 84	7	10.16	1751	189	+24 W	2	10	1	20
14907 84	6	5.29	1749	289	-18 W	4	110	3	190	14947 84	7	11.19	1751	355	+46 E	5	40	2	100
14908 84	6	5.29	1749	289	+37 W	2	50	2	50	14948 84	7	11.19	1751	355	+31 E	5	30	1	60
14909 84	6	13.15	1750	5	+47 E	2	20	2	30	14949 84	7	11.19	1751	355	+6 E	6	20	2	60
14910 84	6	13.15	1750	5	+31 E	2	20	2	20	14950 84	7	11.19	1751	355	-23 E	1	40	1	30

TABLE 1 CONTINUED

TABLE 1 CONTINUED

TABLE 1 CONTINUED

14951 84	7	11.19	1751	175	-28 W	1	30	1	30	1	30	14991 84	7	29.19	1751	117	-1 E	2	30	2	30	2	30
14952 84	7	11.19	1751	175	+38 W	2	20	2	30	2	30	14992 84	7	29.19	1751	117	-31 E	7	40	3	40	3	70
14953 84	7	12.18	1751	342	+48 E	3	30	2	60			14993 84	7	29.19	1751	297	-28 W	3	40	2	40	2	50
14954 84	7	12.18	1751	342	+30 E	8	40	1	80			14994 84	7	30.18	1751	104	+23 E	5	30	2	40	2	40
14955 84	7	12.18	1751	342	+8 E	2	30	2	40			14995 84	7	30.18	1751	284	+7 W	1	40	2	30	2	30
14956 84	7	12.18	1751	342	-17 E	2	10	2	20			14996 84	7	30.18	1751	284	+19 W	2	20	2	30	2	30
14957 84	7	12.18	1751	162	+17 W	3	20	2	50			14997 84	7	31.21	1751	91	+33 E	12	40	2	110		
14958 84	7	12.18	1751	162	+24 W	1	20	2	20			14998 84	7	31.21	1751	91	-6 E	2	50	2	40	2	40
14959 84	7	13.25	1751	328	+48 E	6	40	2	70			14999 84	7	31.21	1751	91	-22 E	2	20	2	30	2	30
14960 84	7	13.25	1751	328	-28 E	11	30	2	190			15000 84	7	31.21	1751	91	-31 E	1	20	1	20	1	20
14961 84	7	13.25	1751	148	-32 W	4	30	2	60			15001 84	7	31.21	1751	271	-9 W	10	50	2	90		
14962 84	7	13.25	1751	148	+22 W	10	20	2	130			15002 84	8	1.19	1752	78	+36 E	9	30	2	100		
14963 84	7	13.25	1751	148	+43 W	1	30	1	50			15003 84	8	1.19	1752	78	-31 E	1	40	2	30	2	30
14964 84	7	15.22	1751	302	+49 E	4	30	2	60			15004 84	8	3.21	1752	51	+43 E	2	20	2	30	2	30
14965 84	7	15.22	1751	302	+10 E	1	20	2	20			15005 84	8	3.21	1752	51	-20 E	4	30	2	70		
14966 84	7	15.22	1751	302	-34 E	5	40	2	130			15006 84	8	3.21	1752	231	+2 W	1	30	2	30	2	30
14967 84	7	15.22	1751	122	+52 W	19	70	1	170			15007 84	8	3.21	1752	231	+27 W	2	30	2	40		
14968 84	7	16.23	1751	288	-12 E	2	20	2	30			15008 84	8	4.19	1752	38	-39 E	1	20	1	20	1	20
14969 84	7	16.23	1751	288	-43 E	1	40	2	50			15009 84	8	5.19	1752	25	+38 E	1	20	2	20	2	20
14970 84	7	16.23	1751	108	-8 W	2	40	2	30			15010 84	8	5.19	1752	25	+4 E	1	10	2	10	2	10
14971 84	7	19.18	1751	70	-44 W	1	10	1	10			15011 84	8	5.19	1752	25	-27 E	1	10	2	10	2	10
14972 84	7	19.18	1751	70	-24 W	9	30	2	80			15012 84	8	5.19	1752	25	+38 E	2	10	2	20	2	20
14973 84	7	19.18	1751	70	-3 W	4	20	2	30			15013 84	8	5.19	1752	205	-18 W	4	40	3	90	2	20
14974 84	7	19.18	1751	70	+6 W	1	50	2	40			15014 84	8	5.19	1752	205	+6 W	12	30	2	160		
14975 84	7	21.17	1751	223	+28 E	8	10	2	50			15015 84	8	5.19	1752	205	+29 W	4	50	2	70		
14976 84	7	21.17	1751	223	-2 E	2	20	2	30			15016 84	8	6.29	1752	11	+36 E	1	40	2	40		
14977 84	7	21.17	1751	223	-29 E	2	40	3	50			15017 84	8	6.29	1752	11	+28 E	3	30	2	50		
14978 84	7	21.17	1751	43	-71 W	1	20	1	20			15018 84	8	6.29	1752	11	+16 E	1	50	2	50		
14979 84	7	21.17	1751	43	-45 W	1	20	2	20			15019 84	8	6.29	1752	11	+4 E	2	20	2	40		
14980 84	7	21.17	1751	43	-4 W	3	20	2	60			15020 84	8	6.29	1752	11	-14 E	1	40	1	40	1	40
14981 84	7	21.17	1751	43	+4 W	1	20	2	20			15021 84	8	6.29	1752	11	-31 E	3	10	1	40		
14982 84	7	21.17	1751	43	+16 W	1	20	2	20			15022 84	8	6.29	1752	11	-44 E	7	60	1	190		
14983 84	7	23.17	1751	197	+32 E	2	50	2	40			15023 84	8	6.29	1752	191	+35 W	2	20	2	30	2	30
14984 84	7	23.17	1751	197	+20 E	3	30	1	50			15024 84	8	6.29	1752	191	+29 W	2	40	2	60		
14985 84	7	23.17	1751	197	-6 E	1	10	1	10			15025 84	8	9.21	1752	332	+49 E	2	30	2	50		
14986 84	7	23.17	1751	17	-36 W	2	30	2	20			15026 84	8	9.21	1752	332	+15 E	1	30	2	30		
14987 84	7	23.17	1751	17	+10 W	4	30	2	40			15027 84	8	9.21	1752	332	-18 E	9	80	1	150		
14988 84	7	23.17	1751	17	+45 W	5	20	2	40			15028 84	8	9.21	1752	332	-43 E	4	10	2	160		
14989 84	7	29.19	1751	117	+40 E	2	20	2	30			15029 84	8	9.21	1752	152	-29 W	1	40	1	40	1	40
14990 84	7	29.19	1751	117	+17 E	7	20	2	40			15030 84	8	9.21	1752	152	+26 W	1	30	1	30		

TABLE 1 CONTINUED

TABLE 1 CONTINUED

15031 84	8	10.22	1752	319	+49 E	4	60	2	100	15071 84	9	3.22	1753	182	-23 W	3	30	1	50
15032 84	8	10.22	1752	319	+15 E	6	40	1	80	15072 84	9	3.22	1753	182	+12 W	1	30	1	20
15033 84	8	10.22	1752	319	-32 E	11	70	2	280	15073 84	9	3.22	1753	182	+21 W	1	30	1	20
15034 84	8	10.22	1752	319	-49 E	6	70	1	120	15074 84	9	4.23	1753	349	-18 E	2	20	2	30
15035 84	8	10.22	1752	139	+12 W	4	40	2	130	15075 84	9	4.23	1753	169	-20 W	1	20	1	20
15036 84	8	10.22	1752	139	+41 W	2	20	1	40	15076 84	9	4.23	1753	169	+18 W	1	20	1	20
15037 84	8	11.25	1752	305	+50 E	5	40	2	50	15077 84	9	5.28	1753	155	+20 W	3	90	1	170
15038 84	8	11.25	1752	305	-23 E	1	40	2	30	15078 84	9	5.28	1753	155	+42 W	4	60	1	100
15039 84	8	11.25	1752	305	-35 E	11	90	2	290	15079 84	9	6.34	1753	321	+40 E	2	20	2	30
15040 84	8	11.25	1752	305	-52 E	5	30	2	50	15080 84	9	6.34	1753	321	+48 E	2	20	1	40
15041 84	8	23.24	1752	147	+21 E	2	20	2	40	15081 84	9	6.34	1753	321	0 E	4	10	1	20
15042 84	8	23.24	1752	147	+16 E	1	70	1	60	15082 84	9	6.34	1753	321	-20 E	1	40	1	30
15043 84	8	23.24	1752	147	+ 8 E	7	60	2	230	15083 84	9	6.34	1753	141	-27 W	2	30	1	60
15044 84	8	23.24	1752	327	-43 W	10	80	2	230	15084 84	9	6.34	1753	141	-15 W	2	30	2	50
15045 84	8	23.24	1752	327	-21 W	7	50	2	110	15085 84	9	6.34	1753	141	+15 W	2	10	1	20
15046 84	8	24.24	1752	134	+42 E	8	50	2	120	15086 84	9	6.34	1753	141	+23 W	10	80	1	120
15047 84	8	24.24	1752	134	+10 E	13	20	2	170	15087 84	9	6.34	1753	141	+46 W	4	30	1	100
15048 84	8	24.24	1752	134	- 3 E	5	10	2	40	15088 84	9	7.24	1753	309	+40 E	2	40	1	50
15049 84	8	24.24	1752	134	-41 E	2	60	3	80	15089 84	9	7.24	1753	309	+38 E	3	20	1	30
15050 84	8	24.24	1752	314	-44 W	12	100	2	270	15090 84	9	7.24	1753	309	-32 E	3	10	2	20
15051 84	8	24.24	1752	314	-22 W	10	40	2	100	15091 84	9	7.24	1753	129	- 3 W	6	30	2	60
15052 84	8	24.24	1752	314	+ 1 W	2	30	2	30	15092 84	9	7.24	1753	129	+28 W	2	30	1	60
15053 84	8	24.24	1752	314	+20 W	2	20	1	40	15093 84	9	13.26	1753	229	+47 E	6	60	2	110
15054 84	8	24.24	1752	314	+42 W	3	30	2	40	15094 84	9	13.26	1753	229	+11 E	1	40	1	50
15055 84	8	24.24	1752	314	+53 W	4	20	2	50	15095 84	9	13.26	1753	229	-19 E	1	20	2	40
15056 84	8	27.23	1752	94	+28 E	8	40	2	100	15096 84	9	13.26	1753	49	+23 W	10	30	2	110
15057 84	8	27.23	1752	94	-10 E	3	40	2	60	15097 84	9	13.26	1753	49	+43 W	6	60	1	90
15058 84	8	27.23	1752	274	+52 W	3	30	2	60	15098 84	9	14.26	1753	216	+44 E	3	40	1	110
15059 84	8	27.23	1752	94	+34 E	15	40	2	140	15099 84	9	14.26	1753	36	-32 W	2	30	1	50
15060 84	8	27.23	1752	94	+ 8 E	4	20	2	50	15100 84	9	14.26	1753	36	- 6 W	2	20	2	30
15061 84	8	27.23	1752	94	-10 E	10	30	1	80	15101 84	9	14.26	1753	36	+47 W	2	40	1	50
15062 84	8	27.23	1752	274	-22 W	2	20	2	30	15102 84	9	14.26	1753	36	+51 W	2	10	1	30
15063 84	8	27.23	1752	274	+52 W	2	20	2	30	15103 84	9	17.24	1753	177	+48 E	2	20	1	30
15064 84	8	31.21	1753	222	-10 W	4	30	2	70	15104 84	9	17.24	1753	177	+12 E	7	80	2	250
15065 84	8	31.21	1753	222	+35 W	1	50	1	60	15105 84	9	17.24	1753	177	- 5 E	1	40	1	30
15066 84	8	31.21	1753	222	+60 W	1	20	2	20	15106 84	9	17.24	1753	177	-22 E	1	20	1	20
15067 84	8	31.21	1753	222	+65 W	1	20	2	20	15107 84	9	17.24	1753	357	-11 W	4	50	2	70
15068 84	9	3.22	1753	2	+ 8 E	5	30	2	70	15108 84	9	17.24	1753	357	+27 W	1	40	1	30
15069 84	9	3.22	1753	2	-10 E	2	10	3	20	15109 84	9	19.25	1753	150	+38 E	6	20	1	60
15070 84	9	3.22	1753	2	-16 E	1	30	3	40	15110 84	9	19.25	1753	150	+11 E	7	70	2	200

TABLE 1 CONTINUED

TABLE 1 CONTINUED

15111 84	9	19.25	1753	150	-31 E	2	10	1	20	15151 84	10	13.38	1754	192	+74 E	2	20	1	30
15112 84	9	19.25	1753	150	-39 E	5	20	1	60	15152 84	10	13.38	1754	192	+41 E	1	20	2	30
15113 84	9	19.25	1753	330	-22 W	6	20	2	50	15153 84	10	13.38	1754	192	+30 E	1	40	1	40
15114 84	9	20.25	1753	137	+44 E	1	20	1	30	15154 84	10	13.38	1754	12	-28 W	2	40	2	50
15115 84	9	20.25	1753	137	+ 8 E	12	40	2	80	15155 84	10	13.38	1754	12	+ 8 W	6	30	2	110
15116 84	9	20.25	1753	137	-12 E	11	30	3	180	15156 84	10	13.38	1754	12	+14 W	4	40	2	90
15117 84	9	20.25	1753	137	-38 E	3	30	2	50	15157 84	10	14.37	1754	179	+33 E	4	40	1	80
15118 84	9	20.25	1753	317	-25 W	11	20	3	60	15158 84	10	14.37	1754	179	+ 9 E	2	10	2	20
15119 84	9	20.25	1753	317	+ 6 W	1	60	1	40	15159 84	10	14.37	1754	179	-22 E	2	10	2	20
15120 84	9	20.25	1753	317	+25 W	3	20	1	40	15160 84	10	14.37	1754	179	-22 E	1	20	2	20
15121 84	9	23.39	1753	96	+35 E	15	70	2	210	15161 84	10	14.37	1754	359	+56 W	1	10	2	10
15122 84	9	23.39	1753	96	- 3 E	8	30	2	120	15162 84	10	14.37	1754	359	-11 W	4	20	1	50
15123 84	9	23.39	1753	276	-34 W	1	30	2	30	15163 84	10	14.37	1754	359	- 6 W	1	70	1	50
15124 84	9	23.39	1753	276	-16 W	2	30	2	40	15164 84	10	14.37	1754	359	+18 W	4	20	2	30
15125 84	9	23.39	1753	276	+49 W	1	20	1	20	15165 84	10	20.36	1754	100	+22 E	7	70	3	170
15126 84	9	30.28	1754	5	+11 E	2	30	1	40	15166 84	10	20.36	1754	100	+ 6 E	12	40	2	130
15127 84	9	30.28	1754	5	-13 E	5	40	2	80	15167 84	10	20.36	1754	100	-36 E	2	70	2	70
15128 84	9	30.28	1754	185	+14 W	7	40	2	100	15168 84	10	20.36	1754	100	-46 E	2	30	2	30
15129 84	9	30.28	1754	185	+54 W	5	10	2	20	15169 84	10	20.36	1754	280	+47 W	2	20	2	30
15130 84	10	3.54	1754	322	+28 E	5	30	1	60	15170 84	10	20.36	1754	280	-40 W	3	20	2	50
15131 84	10	3.54	1754	322	- 4 E	2	10	2	20	15171 84	10	20.36	1754	280	+34 W	1	10	1	10
15132 84	10	3.54	1754	322	-48 E	2	10	1	50	15172 84	10	20.36	1754	280	-15 W	7	30	2	100
15133 84	10	3.54	1754	142	-23 W	1	20	2	30	15173 84	10	22.28	1755	74	+48 E	2	20	2	30
15134 84	10	3.54	1754	142	-10 W	2	20	3	60	15174 84	10	22.28	1755	74	+32 E	5	20	2	30
15135 84	10	3.54	1754	142	+20 W	5	70	1	80	15175 84	10	22.28	1755	74	+11 E	11	50	3	120
15136 84	10	8.34	1754	258	+48 E	2	20	2	30	15176 84	10	22.28	1755	254	-42 W	4	20	2	40
15137 84	10	8.34	1754	78	-21 W	2	20	2	30	15177 84	10	22.28	1755	254	+ 8 W	2	10	2	20
15138 84	10	8.34	1754	78	-16 W	2	10	2	20	15178 84	10	31.47	1755	313	+20 E	1	50	3	40
15139 84	10	8.34	1754	78	+20 W	3	10	2	30	15179 84	10	31.47	1755	313	-52 E	2	30	3	40
15140 84	10	8.34	1754	78	+34 W	2	20	2	20	15180 84	10	31.47	1755	133	-29 W	2	20	2	30
15141 84	10	8.34	1754	78	+41 W	2	10	2	20	15181 84	10	31.47	1755	133	+18 W	3	20	2	30
15142 84	10	8.34	1754	78	+50 W	3	10	2	30	15182 84	10	31.47	1755	133	+43 W	5	50	3	70
15143 84	10	10.27	1754	233	+53 E	2	20	2	20	15183 84	11	1.30	1755	302	+34 E	2	20	2	30
15144 84	10	10.27	1754	233	+38 E	1	10	2	10	15184 84	11	1.30	1755	302	+ 6 E	1	10	2	10
15145 84	10	10.27	1754	233	+18 E	1	60	1	40	15185 84	11	1.30	1755	302	+ 1 E	1	30	2	20
15146 84	10	10.27	1754	53	+33 W	1	10	1	10	15186 84	11	1.30	1755	302	-18 E	1	20	2	10
15147 84	10	10.27	1754	53	+42 W	2	70	1	90	15187 84	11	1.30	1755	122	-15 W	1	10	2	10
15148 84	10	11.29	1754	219	+52 E	2	20	2	30	15188 84	11	1.30	1755	122	- 1 W	1	10	2	10
15149 84	10	11.29	1754	39	+28 W	1	20	2	20	15189 84	11	1.30	1755	122	+17 W	1	20	2	30
15150 84	10	11.29	1754	39	+44 W	2	130	1	110	15190 84	11	1.30	1755	122	+44 W	1	30	2	20

TABLE 1 CONTINUED

TABLE 1 CONTINUED

15191 84 11	2.31	1755	289	+36 E	1	10	1	10	1	10	1755	84 11	8.27	1755	210	-9 E	2	20	1	30
15192 84 11	2.31	1755	289	+17 E	1	50	2	20	2	20	1755	84 11	8.27	1755	30	-32 W	5	50	3	70
15193 84 11	2.31	1755	289	+9 E	2	10	2	20	2	20	1755	84 11	8.27	1755	30	-8 W	1	20	2	20
15194 84 11	2.31	1755	289	+2 E	6	50	2	50	2	50	1755	84 11	8.27	1755	30	+6 W	1	20	2	20
15195 84 11	2.31	1755	289	-15 F	1	10	1	10	1	10	1755	84 11	8.27	1755	30	+51 W	1	40	2	10
15196 84 11	2.31	1755	109	-31 W	2	20	2	30	2	30	1755	84 11	12.27	1755	157	+49 E	1	20	2	30
15197 84 11	2.31	1755	109	-22 W	1	10	1	10	1	10	1755	84 11	12.27	1755	157	+39 E	1	40	3	30
15198 84 11	2.31	1755	109	-16 W	1	20	2	30	2	30	1755	84 11	12.27	1755	157	+21 E	1	10	2	10
15199 84 11	2.31	1755	109	-11 W	2	40	3	60	2	40	1755	84 11	12.27	1755	157	+14 E	2	30	2	50
15200 84 11	2.31	1755	109	-4 W	1	10	1	10	1	10	1755	84 11	12.27	1755	157	-21 E	4	20	2	50
15201 84 11	2.31	1755	109	+4 W	8	70	3	80	3	80	1755	84 11	12.27	1755	337	-42 W	1	20	2	20
15202 84 11	2.31	1755	109	+22 W	9	40	3	120	2	120	1755	84 11	12.27	1755	337	-11 W	1	20	2	20
15203 84 11	2.31	1755	109	+47 W	2	30	2	20	2	20	1755	84 11	12.27	1755	337	+28 W	2	20	2	20
15204 84 11	3.29	1755	276	+40 E	10	30	2	60	2	60	1755	84 11	13.28	1755	144	+48 E	4	20	2	30
15205 84 11	3.29	1755	276	+5 E	6	60	2	40	2	40	1755	84 11	13.28	1755	144	+40 E	1	20	2	20
15206 84 11	3.29	1755	276	-12 E	8	40	3	50	2	50	1755	84 11	13.28	1755	144	-16 E	3	20	3	30
15207 84 11	3.29	1755	96	-56 W	1	10	2	10	2	10	1755	84 11	13.28	1755	144	-27 E	5	50	3	50
15208 84 11	3.29	1755	96	-22 W	1	20	1	30	2	30	1755	84 11	22.44	1756	23	+6 E	6	10	2	60
15209 84 11	3.29	1755	96	-12 W	2	20	2	40	2	40	1755	84 11	22.44	1756	23	-37 E	6	20	2	50
15210 84 11	3.29	1755	96	+7 W	4	40	3	60	2	60	1755	84 11	22.44	1756	203	+70 W	6	50	2	110
15211 84 11	3.29	1755	96	+12 W	4	10	1	10	1	10	1755	84 12	2.33	1756	73	+21 W	1	40	2	40
15212 84 11	3.29	1755	96	+24 W	6	20	2	40	2	40	1755	84 12	2.33	1756	73	+27 W	1	50	2	50
15213 84 11	3.29	1755	96	+34 W	2	20	2	30	2	30	1755	84 12	2.33	1756	73	+52 W	2	20	2	30
15214 84 11	4.31	1755	262	+38 E	2	40	2	50	2	50	1755	84 12	3.35	1756	239	+39 E	2	20	2	40
15215 84 11	4.31	1755	82	-37 W	1	20	2	20	2	20	1755	84 12	3.35	1756	239	-49 E	2	30	2	50
15216 84 11	4.31	1755	82	-10 W	9	20	2	70	2	70	1755	84 12	3.35	1756	59	-31 W	1	60	2	40
15217 84 11	4.31	1755	82	+1 W	5	20	2	40	2	40	1755	84 12	3.35	1756	59	-2 W	9	30	2	120
15218 84 11	4.31	1755	82	+17 W	2	30	2	30	2	30	1755	84 12	3.35	1756	59	+22 W	1	40	2	40
15219 84 11	4.31	1755	82	+34 W	2	30	2	40	2	40	1755	84 12	3.35	1756	59	+39 W	1	20	2	20
15220 84 11	4.31	1755	82	+47 W	3	40	3	50	2	50	1755	84 12	4.29	1756	227	+39 E	1	20	2	20
15221 84 11	5.29	1755	249	+38 E	2	30	3	40	2	40	1755	84 12	4.29	1756	227	+1 E	1	10	2	10
15222 84 11	5.29	1755	69	+2 W	1	40	2	20	2	20	1755	84 12	4.29	1756	47	+36 W	1	50	2	60
15223 84 11	5.29	1755	69	+16 W	1	20	3	30	2	30	1755	84 12	4.29	1756	47	+43 W	1	30	2	30
15224 84 11	5.29	1755	69	+27 W	5	20	2	80	2	80	1755	84 12	6.20	1756	201	+37 E	50	2	40	
15225 84 11	5.29	1755	69	+35 W	3	20	3	40	2	40	1755	84 12	6.20	1756	201	+9 E	4	30	2	50
15226 84 11	6.35	1755	235	+41 E	3	10	2	20	2	20	1755	84 12	6.20	1756	201	-19 E	1	20	2	20
15227 84 11	6.35	1755	235	-75 E	1	30	2	30	2	30	1755	84 12	6.20	1756	21	+42 W	2	10	2	20
15228 84 11	6.35	1755	55	+24 W	6	20	1	30	2	30	1755	84 12	6.20	1756	21	+28 W	1	30	2	30
15229 84 11	6.35	1755	55	+33 W	6	40	2	40	2	40	1755	84 12	6.20	1756	21	+45 W	4	20	2	30
15230 84 11	8.27	1755	210	+46 E	3	10	1	20	1	20	1755	84 12	6.20	1756	21	+51 W	1	10	2	10

TABLE 1 CONTINUED

TABLE 1 CONTINUED

15271	84 12	8.37	1756	173	+47 E	2	30	2	60	15311 85	1	16.34	1758	198	-12 W	3	30	2	40
15272	84 12	8.37	1756	173	+33 E	1	110	2	70	15312 85	1	16.34	1758	198	+32 W	1	20	1	30
15273	84 12	8.37	1756	173	+23 E	3	20	2	40	15313 85	1	17.31	1758	6	+41 E	2	70	2	70
15274	84 12	9.32	1756	160	+43 E	4	10	2	40	15314 85	1	17.31	1758	6	-43 E	3	10	2	30
15275	84 12	9.32	1756	160	+36 E	2	10	2	20	15315 85	1	17.31	1758	186	-19 W	1	60	1	60
15276	84 12	9.32	1756	160	+48 E	2	20	2	40	15316 85	1	28.40	1758	39	-10 W	3	60	2	80
15277	84 12	9.32	1756	340	+56 W	2	20	2	30	15317 85	1	28.40	1758	39	+5 W	2	20	2	30
15278	84 12	9.32	1756	340	-10 W	2	10	2	20	15318 85	1	28.40	1758	39	+51 W	1	20	2	30
15279	84 12	13.45	1756	106	+18 E	8	30	2	80	15319 85	1	29.33	1758	207	+34 E	2	20	1	30
15280	84 12	13.45	1756	106	-1 E	2	30	2	60	15320 85	1	29.33	1758	207	-12 E	17	90	2	150
15281	84 12	13.45	1756	106	+23 E	6	30	2	70	15321 85	1	29.33	1758	27	-43 W	2	30	1	50
15282	84 12	13.45	1756	106	-40 E	4	20	2	60	15322 85	1	29.33	1758	27	-35 W	1	10	1	10
15283	84 12	13.45	1756	286	+45 W	2	20	2	20	15323 85	1	29.33	1758	27	+8 W	3	20	2	30
15284	84 12	13.45	1756	286	-30 W	2	30	2	30	15324 85	1	29.33	1758	27	+9 W	4	10	2	30
15285	84 12	13.45	1756	286	-25 W	2	20	2	40	15325 85	1	29.33	1758	27	+42 W	1	10	2	10
15286	84 12	13.45	1756	286	-16 W	1	40	2	40	15326 85	1	29.33	1758	27	+53 W	1	10	2	10
15287	84 12	14.30	1756	95	+44 E	8	30	2	60	15327 85	1	31.35	1758	180	+37 E	13	30	2	120
15288	84 12	14.30	1756	95	+23 E	4	20	2	50	15328 85	1	31.35	1758	180	+13 E	4	20	2	60
15289	84 12	14.30	1756	95	-13 E	7	20	2	80	15329 85	1	31.35	1758	0	-42 W	2	20	2	30
15290	84 12	14.30	1756	95	-23 E	4	30	2	80	15330 85	1	31.35	1758	0	-38 W	2	10	2	20
15291	84 12	14.30	1756	275	-32 W	5	30	2	60	15331 85	1	31.35	1758	0	+8 W	4	20	2	30
15292	84 12	14.30	1756	275	-3 W	2	10	2	20	15332 85	1	31.35	1758	0	-1 W	1	10	2	10
15293	84 12	14.30	1756	275	+23 W	1	30	2	40	15333 85	1	31.35	1758	0	+41 W	2	10	2	20
15294	84 12	14.30	1756	275	+35 W	3	30	2	50	15334 85	2	8.28	1759	76	+34 E	1	10	2	10
15295	84 12	19.34	1757	28	+43 E	1	50	2	50	15335 85	2	8.28	1759	76	-38 E	1	20	2	20
15296	84 12	19.34	1757	28	+8 E	1	20	2	20	15336 85	2	8.28	1759	256	+42 W	1	20	2	20
15297	84 12	19.34	1757	28	-14 E	5	40	2	80	15337 85	2	14.31	1759	356	+51 E	3	20	2	30
15298	84 12	19.34	1757	28	-40 E	6	20	2	60	15338 85	2	14.31	1759	356	-44 E	1	10	1	10
15299	84 12	19.34	1757	208	+13 W	1	10	2	10	15339 85	2	14.31	1759	176	+19 W	3	20	2	30
15300	84 12	19.34	1757	208	+38 W	1	10	2	10	15340 85	2	14.31	1759	176	+39 W	3	10	2	30
15301	84 12	28.31	1757	270	+29 E	3	20	2	40	15341 85	2	23.37	1759	237	-1 E	2	10	1	20
15302	84 12	28.31	1757	270	-35 E	2	10	2	30	15342 85	2	23.37	1759	237	+7 E	1	10	1	10
15303	84 12	28.31	1757	270	+43 E	2	10	2	20	15343 85	2	23.37	1759	237	-31 E	2	10	2	10
15304	84 12	28.31	1757	90	-30 W	2	10	2	20	15344 85	2	23.37	1759	57	-58 W	1	20	1	10
15305	84 12	28.31	1757	90	-6 W	1	20	2	30	15345 85	2	26.39	1759	197	+61 E	1	10	1	10
15306	84 12	28.31	1757	90	+6 W	1	20	2	30	15346 85	2	26.39	1759	197	+13 E	1	10	2	10
15307	85 1	16.34	1758	18	+36 E	1	40	2	50	15347 85	2	26.39	1759	17	+28 W	1	10	2	10
15308	85 1	16.34	1758	18	+18 E	1	10	1	10	15348 85	2	26.39	1759	17	+50 W	1	20	2	20
15309	85 1	16.34	1758	18	+11 E	3	30	2	40	15349 85	2	27.26	1759	185	+60 E	1	10	1	10
15310	85 1	16.34	1758	18	-39 E	2	10	2	20	15350 85	2	27.26	1759	185	-30 E	5	40	1	40

TABLE 1 CONTINUED

TABLE 1 CONTINUED

15351 85	2	27.26	1759	5	-28 W	5	20	1	50	15391 85	4	15.26	1761	285	+13 E	1	120	1	90
15352 85	2	27.26	1759	5	+26 W	1	30	1	20	15392 85	4	15.26	1761	285	+5 E	1	10	2	10
15353 85	2	27.26	1759	5	+48 W	3	30	1	30	15393 85	4	15.26	1761	285	+42 E	5	30	2	90
15354 85	2	27.26	1759	5	+55 W	1	10	1	10	15394 85	4	15.26	1761	105	+43 W	5	20	2	60
15355 85	3	4.33	1759	118	+60 E	1	10	2	10	15395 85	4	19.27	1761	232	+33 E	3	60	1	80
15356 85	3	4.33	1759	118	+45 E	4	10	2	30	15396 85	4	19.27	1761	232	+23 E	2	20	2	30
15357 85	3	4.33	1759	118	-8 E	2	10	2	20	15397 85	4	19.27	1761	232	-39 E	1	10	2	10
15358 85	3	12.29	1760	13	+6 E	4	10	2	40	15398 85	4	19.27	1761	232	-48 E	2	10	2	20
15359 85	3	12.29	1760	193	-56 W	1	30	2	30	15399 85	4	19.27	1761	52	-57 W	1	10	2	10
15360 85	3	12.29	1760	193	+15 W	1	20	2	30	15400 85	4	19.27	1761	52	-45 W	1	10	2	10
15361 85	3	16.30	1760	320	+51 E	4	20	2	50	15401 85	4	19.27	1761	52	-40 W	1	10	2	10
15362 85	3	16.30	1760	320	+23 E	2	20	2	30	15402 85	4	19.27	1761	52	+47 W	2	10	2	20
15363 85	3	16.30	1760	320	-9 E	1	20	1	20	15403 85	4	20.28	1761	219	+28 E	6	50	2	80
15364 85	3	16.30	1760	320	-40 E	7	20	2	50	15404 85	4	20.28	1761	219	+2 E	1	40	2	30
15365 85	3	16.30	1760	140	+22 W	1	30	2	30	15405 85	4	20.28	1761	219	+45 E	1	20	2	20
15366 85	3	16.30	1760	140	+27 W	1	20	2	20	15406 85	4	21.20	1761	206	+32 E	4	40	2	80
15367 85	3	16.30	1760	140	+42 W	1	20	2	20	15407 85	4	21.20	1761	206	0 E	1	20	1	20
15368 85	3	29.27	1760	149	-21 E	3	30	1	50	15408 85	4	21.20	1761	206	-16 E	1	10	1	10
15369 85	3	29.27	1760	149	-33 E	5	20	2	70	15409 85	4	21.20	1761	206	-49 E	2	10	2	20
15370 85	3	29.27	1760	329	-40 W	2	30	2	50	15410 85	4	21.20	1761	26	-41 W	6	30	2	60
15371 85	3	29.27	1760	329	-20 W	6	30	2	50	15411 85	4	22.23	1761	193	+41 E	2	10	1	20
15372 85	3	29.27	1760	329	+20 W	1	40	1	30	15412 85	4	22.23	1761	193	+31 E	1	10	1	10
15373 85	3	29.27	1760	329	+26 W	1	20	1	20	15413 85	4	22.23	1761	193	+18 E	1	10	1	10
15374 85	4	3.26	1761	83	+41 E	5	50	1	60	15414 85	4	22.23	1761	193	-18 E	3	20	1	30
15375 85	4	3.26	1761	83	-38 E	4	20	1	50	15415 85	4	22.23	1761	13	-40 W	3	10	2	30
15376 85	4	3.26	1761	263	+23 W	26	40	2	150	15416 85	4	22.23	1761	13	-7 W	2	10	2	20
15377 85	4	4.42	1761	68	-19 E	9	40	2	120	15417 85	4	22.23	1761	13	+42 W	6	20	2	30
15378 85	4	4.42	1761	68	-33 E	4	10	2	40	15418 85	4	23.28	1761	179	+42 E	2	20	2	30
15379 85	4	4.42	1761	248	-42 W	3	20	2	30	15419 85	4	23.28	1761	359	-22 W	5	20	1	50
15380 85	4	5.58	1761	53	+62 E	4	10	2	40	15420 85	4	23.28	1761	359	-12 W	3	10	1	30
15381 85	4	5.58	1761	53	+54 E	1	10	2	10	15421 85	4	27.21	1761	127	-23 E	6	40	2	130
15382 85	4	5.58	1761	233	+9 W	2	20	2	30	15422 85	4	27.21	1761	307	-7 W	1	20	1	20
15383 85	4	5.58	1761	233	+21 W	2	20	2	30	15423 85	4	27.21	1761	307	-1 W	3	10	1	30
15384 85	4	9.35	1761	3	+64 E	2	30	2	40	15424 85	5	4.27	1762	34	+42 E	5	60	1	110
15385 85	4	9.35	1761	3	+48 E	1	30	1	30	15425 85	5	4.27	1762	34	+24 E	2	30	2	50
15386 85	4	9.35	1761	3	-3 E	6	30	2	50	15426 85	5	4.27	1762	34	-44 E	5	20	2	60
15387 85	4	9.35	1761	183	-25 W	4	30	2	80	15427 85	5	8.19	1762	342	+41 E	5	20	2	70
15388 85	4	9.35	1761	183	+11 W	1	30	2	30	15428 85	5	8.19	1762	342	-10 E	6	30	2	70
15389 85	4	9.35	1761	183	+26 W	1	30	2	30	15429 85	5	8.19	1762	162	-26 W	2	20	2	40
15390 85	4	15.26	1761	285	+24 E	1	20	2	10	15430 85	5	8.19	1762	162	+32 W	2	20	2	30

TABLE 1 CONTINUED

15431	85	5	8.19	1762	162	+37 W	1	20	2	20	15471	85	6	5.20	1763	152	-22 W	1	150	3	130
15432	85	5	13.22	1762	276	+22 E	6	30	2	70	15472	85	6	12.17	1763	240	-10 E	4	40	2	80
15433	85	5	13.22	1762	276	-25 E	9	60	2	130	15473	85	6	12.17	1763	240	-20 E	4	40	2	110
15434	85	5	13.22	1762	276	-42 E	2	40	2	50	15474	85	6	12.17	1763	60	-29 W	1	20	1	30
15435	85	5	13.22	1762	96	+9 W	7	20	1	60	15475	85	6	12.17	1763	60	-20 W	3	20	1	20
15436	85	5	13.22	1762	96	+35 W	7	40	1	30	15476	85	6	14.53	1763	209	+38 E	2	60	1	60
15437	85	5	14.20	1762	263	-34 E	6	50	2	80	15477	85	6	14.53	1763	29	-36 W	2	60	2	50
15438	85	5	14.20	1762	83	-26 W	3	40	2	60	15478	85	6	19.48	1763	144	-80 E	1	20	2	20
15439	85	5	14.20	1762	83	+16 W	5	20	2	50	15479	85	6	19.48	1763	324	-45 W	1	10	1	10
15440	85	5	14.20	1762	83	+46 W	2	30	2	40	15480	85	6	19.48	1763	324	-18 W	2	60	2	50
15441	85	5	25.21	1762	118	+56 E	1	30	1	30	15481	85	6	19.48	1763	324	+7 W	2	10	2	20
15442	85	5	25.21	1762	118	+41 E	1	30	2	30	15482	85	6	19.48	1763	324	+15 W	1	30	2	30
15443	85	5	25.21	1762	118	-30 E	14	30	2	140	15483	85	6	19.48	1763	324	+31 W	1	30	2	20
15444	85	5	26.19	1762	105	+37 E	3	30	2	60	15484	85	7	4.18	1764	310	+52 E	2	20	2	40
15445	85	5	26.19	1762	105	-28 E	2	40	1	40	15485	85	7	4.18	1764	310	-10 E	6	30	2	70
15446	85	5	26.19	1762	105	-33 E	4	30	2	50	15486	85	7	4.18	1764	310	-22 E	2	20	2	40
15447	85	5	26.19	1762	285	-48 W	5	30	3	110	15487	85	7	4.18	1764	310	+45 E	2	10	2	20
15448	85	5	26.19	1762	285	-39 W	4	20	1	50	15488	85	7	4.18	1764	310	+52 E	2	10	2	20
15449	85	5	26.19	1762	285	-18 W	1	10	2	10	15489	85	7	4.18	1764	130	-46 W	1	10	2	10
15450	85	5	27.31	1763	90	+41 E	2	30	2	50	15490	85	7	4.18	1764	130	-41 W	1	10	2	10
15451	85	5	27.31	1763	90	+16 E	2	40	2	60	15491	85	7	4.18	1764	130	-23 W	1	10	2	10
15452	85	5	27.31	1763	270	-48 W	8	40	2	210	15492	85	7	4.18	1764	130	+3 W	6	30	2	80
15453	85	5	27.31	1763	270	-38 W	4	30	1	60	15493	85	7	8.29	1764	256	-12 E	2	20	2	40
15454	85	5	27.31	1763	270	+21 W	2	20	2	30	15494	85	7	8.29	1764	256	-52 E	4	70	2	140
15455	85	5	28.16	1763	79	+45 E	2	30	2	30	15495	85	7	8.29	1764	76	-21 W	1	30	1	30
15456	85	5	28.16	1763	79	+21 E	6	30	2	80	15496	85	7	8.29	1764	76	+35 W	3	20	2	40
15457	85	5	28.16	1763	79	-30 E	10	10	2	40	15497	85	7	8.29	1764	76	+39 W	1	20	2	30
15458	85	5	28.16	1763	259	-45 W	13	40	2	230	15498	85	7	11.26	1764	217	-19 E	2	20	2	30
15459	85	5	28.16	1763	259	+23 W	1	10	1	10	15499	85	7	11.26	1764	37	-40 W	6	30	2	80
15460	85	5	28.16	1763	259	+33 W	1	10	2	10	15500	85	7	11.26	1764	37	+30 W	1	50	1	50
15461	85	5	29.19	1763	65	+43 E	5	50	2	110	15501	85	7	11.26	1764	37	+41 W	2	40	2	60
15462	85	5	29.19	1763	65	-18 E	1	30	2	30	15502	85	7	12.21	1764	204	+41 E	1	20	2	20
15463	85	5	29.19	1763	245	-45 W	1	30	2	40	15503	85	7	12.21	1764	204	-33 E	1	10	1	10
15464	85	5	29.19	1763	245	-8 W	18	40	2	170	15504	85	7	12.21	1764	204	-40 E	1	10	1	10
15465	85	5	29.19	1763	245	+24 W	2	40	1	50	15505	85	7	12.21	1764	204	-47 E	1	10	1	10
15466	85	6	4.29	1763	344	-46 E	7	20	2	40	15506	85	7	12.21	1764	24	-43 W	13	50	2	160
15467	85	6	5.20	1763	332	+47 E	7	20	1	50	15507	85	7	12.21	1764	24	0 W	2	40	2	50
15468	85	6	5.20	1763	332	+18 E	1	20	1	20	15508	85	7	12.21	1764	24	+38 W	2	50	2	70
15469	85	6	5.20	1763	332	-47 E	2	40	2	30	15509	85	7	14.21	1764	178	+79 E	2	10	2	20
15470	85	6	5.20	1763	152	-33 W	4	20	2	80	15510	85	7	14.21	1764	358	+39 W	4	20	2	50

TABLE 1 CONTINUED

TABLE 1 CONTINUED

TABLE 1 CONTINUED

15511 85	7	19.18	1764	112	+37 E	1	20	2	20	15511 85	8	5.21	1765	67	+37 W	5	20	1	40
15512 85	7	19.18	1764	112	+19 E	1	20	1	20	15512 85	8	9.32	1765	193	+37 E	1	30	2	30
15513 85	7	19.18	1764	112	+16 E	1	20	1	20	15513 85	8	9.32	1765	13	-45 W	11	50	1	140
15514 85	7	19.18	1764	112	-29 E	1	20	1	20	15514 85	8	9.32	1765	13	-28 W	8	30	1	90
15515 85	7	19.18	1764	112	-35 E	2	20	2	30	15515 85	8	9.32	1765	13	+11 W	1	40	1	40
15516 85	7	19.18	1764	112	-42 E	5	20	2	40	15516 85	8	9.32	1765	13	+19 W	1	30	1	40
15517 85	7	19.18	1764	292	-48 W	2	10	2	20	15517 85	8	9.32	1765	13	+37 W	10	40	2	110
15518 85	7	19.18	1764	292	+16 W	2	30	2	40	15518 85	8	9.32	1765	13	+50 W	1	30	1	40
15519 85	7	19.18	1764	292	+28 W	3	20	2	50	15519 85	8	12.22	1765	155	+49 E	1	20	1	20
15520 85	7	19.18	1764	292	+42 W	3	20	2	40	15520 85	8	12.22	1765	155	+45 E	1	20	1	20
15521 85	7	20.27	1764	98	+37 E	4	20	2	50	15521 85	8	12.22	1765	155	-13 E	12	50	2	150
15522 85	7	20.27	1764	98	+19 E	2	20	2	30	15522 85	8	12.22	1765	335	-17 W	4	30	2	90
15523 85	7	20.27	1764	98	+2 E	1	10	2	10	15523 85	8	12.22	1765	335	-8 W	3	20	2	50
15524 85	7	20.27	1764	98	-28 E	2	20	2	30	15524 85	8	13.22	1765	141	+32 E	1	10	2	10
15525 85	7	20.27	1764	98	-33 E	1	40	1	50	15525 85	8	13.22	1765	141	-20 E	1	50	2	50
15526 85	7	20.27	1764	278	-43 W	5	40	2	100	15526 85	8	13.22	1765	141	-28 E	6	50	2	80
15527 85	7	20.27	1764	278	-8 W	1	20	1	20	15527 85	8	13.22	1765	321	-23 W	3	90	2	200
15528 85	7	20.27	1764	278	+30 W	3	20	2	40	15528 85	8	14.19	1765	129	-10 E	3	10	2	20
15529 85	7	23.29	1765	58	+47 E	3	30	2	70	15529 85	8	14.19	1765	129	-24 E	1	80	1	70
15530 85	7	23.29	1765	58	-18 E	1	70	2	60	15530 85	8	14.19	1765	129	-33 E	2	20	1	30
15531 85	7	23.29	1765	58	-32 E	3	20	2	40	15531 85	8	14.19	1765	309	-43 W	4	30	2	50
15532 85	7	23.29	1765	238	-20 W	6	70	2	110	15532 85	8	14.19	1765	309	-22 W	2	20	2	40
15533 85	7	24.21	1765	46	+43 E	2	20	2	40	15533 85	8	14.19	1765	309	+5 W	2	40	2	60
15534 85	7	24.21	1765	226	-19 W	3	40	2	70	15534 85	8	15.19	1765	115	+39 E	9	30	2	120
15535 85	7	24.21	1765	226	-1 W	6	30	2	90	15535 85	8	15.19	1765	115	+13 E	4	20	1	40
15536 85	7	26.19	1765	19	-3 E	5	40	1	80	15536 85	8	15.19	1765	115	-11 E	3	10	2	30
15537 85	7	26.19	1765	199	-24 W	3	20	2	40	15537 85	8	15.19	1765	115	-38 E	1	20	1	10
15538 85	7	29.57	1765	155	-19 W	1	20	2	20	15538 85	8	15.19	1765	115	-46 E	1	30	1	40
15539 85	7	29.57	1765	155	0 W	1	50	2	50	15539 85	8	15.19	1765	295	-48 W	3	40	2	90
15540 85	7	29.57	1765	155	+41 W	1	50	2	50	15540 85	8	16.20	1765	102	+26 E	6	50	2	110
15541 85	8	3.24	1765	273	+38 E	4	40	2	90	15541 85	8	16.20	1765	102	+18 E	1	20	1	20
15542 85	8	3.24	1765	273	-22 E	2	30	1	50	15542 85	8	16.20	1765	102	-38 E	1	30	2	30
15543 85	8	3.24	1765	273	-43 E	3	20	2	60	15543 85	8	16.20	1765	282	-49 W	4	40	2	90
15544 85	8	3.24	1765	93	-32 W	5	50	2	130	15544 85	8	16.20	1765	282	-26 W	1	20	2	20
15545 85	8	3.24	1765	93	+18 W	2	30	2	50	15545 85	8	17.22	1766	89	+37 E	6	40	2	80
15546 85	8	3.24	1765	93	+33 W	2	20	2	40	15546 85	8	17.22	1766	89	+22 E	4	30	2	60
15547 85	8	5.21	1765	247	+28 E	25	80	2	690	15547 85	8	17.22	1766	39	-35 E	14	30	2	130
15548 85	8	5.21	1765	247	-7 E	7	40	2	210	15548 85	8	17.22	1766	269	-49 W	2	50	2	60
15549 85	8	5.21	1765	247	-41 E	2	20	2	40	15549 85	8	17.22	1766	269	-38 W	1	30	2	30
15550 85	8	5.21	1765	67	-23 W	12	40	2	220	15550 85	8	17.22	1766	269	-24 W	1	10	2	10

TABLE 1 CONTINUED

TABLE 1 CONTINUED

15591 85	8	17.22	1766	269	+69 W	1	20	2	20	15631 85	9	1.25	1766	250	-13 E	4	20	2	50
15592 85	8	21.37	1766	34	+38 E	7	60	2	130	15632 85	9	1.25	1766	250	-48 E	4	30	2	80
15593 85	8	21.37	1766	34	-20 E	4	20	2	50	15633 85	9	1.25	1766	70	-35 W	9	30	2	90
15594 85	8	21.37	1766	34	-31 E	2	20	2	40	15634 85	9	3.26	1766	224	+13 E	14	20	1	110
15595 85	8	21.37	1766	214	-30 W	2	40	1	70	15635 85	9	3.26	1766	224	-18 E	4	50	2	140
15596 85	8	21.37	1766	214	-23 W	2	20	1	30	15636 85	9	3.26	1766	44	-25 W	20	20	2	160
15597 85	8	22.25	1766	22	-42 E	2	10	2	20	15637 85	9	3.26	1766	44	+13 W	10	50	1	150
15598 85	8	22.25	1766	202	-18 W	2	10	2	20	15638 85	9	10.59	1766	127	-3 E	3	20	2	40
15599 85	8	22.25	1766	202	+39 W	7	40	2	190	15639 85	9	10.59	1766	127	-22 E	1	30	2	30
15600 85	8	23.31	1766	8	+4 E	22	40	2	260	15640 85	9	10.59	1766	127	-27 E	1	40	2	40
15601 85	8	24.23	1766	356	+38 E	1	20	2	20	15641 85	9	10.59	1766	127	-32 E	3	10	2	30
15602 85	8	24.23	1766	356	-23 E	1	20	2	20	15642 85	9	10.59	1766	307	-20 W	6	30	2	70
15603 85	8	24.23	1766	176	-62 W	2	50	2	90	15643 85	9	10.59	1766	307	+18 W	3	30	2	50
15604 85	8	24.23	1766	176	+43 W	1	40	1	50	15644 85	9	14.27	1767	78	+38 E	2	20	2	30
15605 85	8	24.23	1766	176	+58 W	1	40	1	20	15645 85	9	14.27	1767	78	-8 E	6	40	2	90
15606 85	8	24.23	1766	176	+67 W	1	20	1	20	15646 85	9	14.27	1767	78	-38 E	10	30	2	100
15607 85	8	25.28	1766	342	+73 E	1	20	2	20	15647 85	9	14.27	1767	258	-52 W	3	30	2	60
15608 85	8	25.28	1766	342	+54 E	1	30	2	30	15648 85	9	14.27	1767	258	-11 W	7	20	2	90
15609 85	8	25.28	1766	342	-37 E	3	40	2	80	15649 85	9	14.27	1767	258	+9 W	2	60	2	110
15610 85	8	25.28	1766	162	-88 W	1	50	1	40	15650 85	9	14.27	1767	258	+20 W	5	110	2	200
15611 85	8	25.28	1766	162	-46 W	2	50	1	80	15651 85	9	14.27	1767	258	+34 W	12	30	2	230
15612 85	8	25.28	1766	162	+15 W	2	30	2	40	15652 85	9	18.54	1767	22	+36 E	6	60	2	170
15613 85	8	25.28	1766	162	+47 W	1	20	2	20	15653 85	9	18.54	1767	22	+4 E	9	30	2	160
15614 85	8	25.28	1766	162	+69 W	1	30	1	30	15654 85	9	18.54	1767	22	-23 E	10	50	2	220
15615 85	8	26.38	1766	328	-6 E	1	30	2	30	15655 85	9	19.32	1767	12	+33 E	12	70	2	360
15616 85	8	26.38	1766	328	-18 E	10	20	2	110	15656 85	9	19.32	1767	12	-2 E	3	30	2	40
15617 85	8	26.38	1766	328	-26 E	2	10	2	20	15657 85	9	19.32	1767	12	-30 E	4	50	2	110
15618 85	8	26.38	1766	328	-45 E	1	10	1	10	15658 85	9	19.32	1767	192	-42 W	6	20	2	60
15619 85	8	26.38	1766	148	-41 W	1	10	2	10	15659 85	9	19.32	1767	192	-24 W	8	10	2	80
15620 85	8	26.38	1766	148	0 W	5	30	2	130	15660 85	9	20.31	1767	359	+25 E	4	70	2	200
15621 85	8	31.22	1766	264	+55 E	2	10	2	20	15661 85	9	20.31	1767	359	-18 E	24	60	2	680
15622 85	8	31.22	1766	264	+43 E	1	40	2	40	15662 85	9	20.31	1767	179	-35 W	15	50	2	250
15623 85	8	31.22	1766	264	+22 E	14	30	2	110	15663 85	9	21.29	1767	346	+23 E	12	40	2	220
15624 85	8	31.22	1766	264	-4 E	15	30	2	100	15664 85	9	21.29	1767	346	-27 E	26	70	3	610
15625 85	8	31.22	1766	264	-44 E	7	30	2	120	15665 85	9	21.29	1767	166	-3 W	7	60	2	200
15626 85	8	31.22	1766	84	-38 W	10	40	2	160	15666 85	9	24.29	1767	306	+48 E	3	40	1	70
15627 85	8	31.22	1766	84	+22 W	1	10	1	10	15667 85	9	24.29	1767	306	+27 E	13	20	1	120
15628 85	8	31.22	1766	84	+33 W	1	10	1	10	15668 85	9	24.29	1767	306	+3 E	2	40	1	50
15629 85	9	1.25	1766	250	+77 E	1	30	2	30	15669 85	9	24.29	1767	306	-20 E	7	30	1	60
15630 85	9	1.25	1766	250	+30 E	24	90	2	330	15670 85	9	27.32	1767	266	+41 E	12	30	2	110

TABLE 1 CONTINUED

TABLE 1 CONTINUED

15671 85 9	27.32	1767	266	+ 3 E	35	70	2	530	15711 85 10	21.27	1768	310	-22 E	6	40	2	110	
15672 85 9	27.32	1767	266	-40 E	5	80	2	140	15712 85 10	21.27	1768	130	-57 W	1	20	1	20	
15673 85 9	27.32	1767	266	-60 E	1	40	1	40	15713 85 10	21.27	1768	130	-44 W	1	10	1	20	
15674 85 9	27.32	1767	86	-50 W	1	20	1	90	15714 85 10	21.27	1768	130	-21 W	14	30	2	150	
15675 85 9	27.32	1767	86	-32 W	2	20	1	30	15715 85 10	22.27	1768	297	+44 E	10	50	2	100	
15676 85 9	27.32	1767	86	-23 W	1	10	1	20	15716 85 10	22.27	1768	297	+36 E	1	40	2	50	
15677 85 9	27.32	1767	86	-13 W	4	20	1	20	15717 85 10	22.27	1768	297	+28 E	9	40	2	120	
15678 85 9	27.32	1767	86	+ 2 W	1	30	2	30	15718 85 10	22.27	1768	297	-27 E	14	40	2	100	
15679 85 10	1.25	1767	214	+46 E	1	10	1	10	15719 85 10	22.27	1768	117	-36 W	1	30	1	40	
15680 85 10	1.25	1767	214	+22 E	1	20	2	20	15720 85 10	22.27	1768	117	-28 W	1	20	1	20	
15681 85 10	1.25	1767	214	-25 E	13	50	1	100	15721 85 10	23.56	1768	280	+44 E	1	30	2	30	
15682 85 10	1.25	1767	214	-42 E	7	30	2	110	15722 85 10	23.56	1768	280	-21 E	1	10	1	10	
15683 85 10	1.25	1767	34	-35 W	10	60	2	190	15723 85 10	23.56	1768	280	-38 E	5	20	1	40	
15684 85 10	1.25	1767	34	-23 W	2	20	2	30	15724 85 10	23.56	1768	100	-34 W	5	40	2	120	
15685 85 10	1.25	1767	34	- 4 W	4	10	30	2	130	15725 85 10	23.56	1768	100	-21 W	1	30	2	40
15686 85 10	1.25	1767	34	+10 W	4	10	2	30	15726 85 10	23.56	1768	100	+ 1 W	2	20	2	30	
15687 85 10	1.25	1767	34	+34 W	6	30	2	90	15727 85 10	23.56	1768	100	+29 W	1	30	2	30	
15688 85 10	2.23	1767	201	+39 E	1	20	1	20	15728 85 10	25.29	1768	257	+55 E	9	40	2	70	
15689 85 10	2.23	1767	201	- 8 E	2	10	2	20	15729 85 10	25.29	1768	257	+36 E	1	60	2	50	
15690 85 10	2.23	1767	201	-30 E	7	40	1	110	15730 85 10	25.29	1768	257	-18 E	2	10	1	10	
15691 85 10	2.23	1767	201	-42 E	6	20	2	40	15731 85 10	25.29	1768	257	-41 E	3	30	1	30	
15692 85 10	2.23	1767	201	-55 E	5	20	1	40	15732 85 10	25.29	1768	257	-67 E	1	10	1	10	
15693 85 10	2.23	1767	21	-38 W	5	40	2	80	15733 85 10	25.29	1768	77	-12 W	11	30	2	80	
15694 85 10	2.23	1767	21	-16 W	5	40	2	80	15734 85 10	25.29	1768	77	+43 W	4	30	1	30	
15695 85 10	2.23	1767	21	+13 W	3	180	2	350	15735 85 10	26.29	1768	244	+46 E	15	70	3	260	
15696 85 10	2.23	1767	21	+38 W	4	60	2	100	15736 85 10	26.29	1768	244	-40 E	8	40	2	140	
15697 85 10	3.30	1767	187	+12 E	6	30	2	130	15737 85 10	26.29	1768	64	-43 W	2	30	2	50	
15698 85 10	3.30	1767	187	-22 E	9	40	2	150	15738 85 10	26.29	1768	64	+ 3 W	1	20	2	30	
15699 85 10	3.30	1767	187	-35 E	1	50	2	50	15739 85 10	26.29	1768	64	+16 W	8	30	2	90	
15700 85 10	3.30	1767	7	-37 W	3	20	2	50	15740 85 10	26.29	1768	64	+35 W	8	50	2	70	
15701 85 10	3.30	1767	7	+15 W	2	80	1	70	15741 85 10	27.28	1768	231	+45 E	9	40	2	140	
15702 85 10	3.30	1767	7	+32 W	12	60	2	310	15742 85 10	27.28	1768	51	-41 W	4	40	2	60	
15703 85 10	12.37	1768	248	-52 W	2	20	2	40	15743 85 10	27.28	1768	51	-18 W	1	20	2	20	
15704 85 10	12.37	1768	248	+25 W	1	40	2	30	15744 85 10	27.28	1768	51	- 7 W	3	10	2	30	
15705 85 10	12.37	1768	248	+38 W	17	50	2	460	15745 85 10	27.28	1768	51	+ 5 W	2	20	2	50	
15706 85 10	21.27	1768	310	+43 E	6	20	1	30	15746 85 10	27.28	1768	51	+15 W	10	60	2	140	
15707 85 10	21.27	1768	310	+35 E	1	40	1	40	15747 85 10	27.28	1768	51	+25 W	5	20	2	40	
15708 85 10	21.27	1768	310	+30 E	4	20	1	40	15748 85 10	27.28	1768	51	+34 W	4	50	3	150	
15709 85 10	21.27	1768	310	+ 1 E	1	40	2	40	15749 85 10	28.28	1768	218	+50 E	3	30	1	40	
15710 85 10	21.27	1768	310	- 7 E	1	50	2	40	15750 85 10	28.28	1768	218	-17 E	7	10	2	30	

TABLE 1 CONTINUED

TABLE 1 CONTINUED

15751 85 10	28.28	1768	38	-54 W	1	20	1	20	1	20	1	1770	13.34	1770	150	-44 W	2	20	2	20	2	20
15752 85 10	28.28	1768	38	-37 W	3	20	2	30	3	20	2	1770	13.34	1770	150	-31 W	3	20	2	20	2	50
15753 85 10	28.28	1768	38	-28 W	1	30	2	30	2	30	2	1770	13.34	1770	150	-10 W	2	30	2	30	2	30
15754 85 10	28.28	1768	38	-19 W	1	30	1	30	1	30	1	1770	13.34	1770	150	+25 W	1	50	2	40	2	40
15755 85 10	28.28	1768	38	+3 W	1	30	1	10	1	10	1	1770	14.51	1770	314	-44 E	7	20	2	30	2	30
15756 85 10	28.28	1768	38	+34 W	6	70	3	170	3	170	3	1770	14.51	1770	134	-50 W	5	20	2	30	2	30
15757 85 10	29.29	1768	204	-11 E	2	20	1	30	1	30	1	1770	22.35	1770	211	-11 E	13	60	2	170	2	170
15758 85 10	29.29	1768	204	-48 E	1	10	1	10	1	10	1	1770	22.35	1770	211	-71 E	1	40	1	10	1	10
15759 85 10	29.29	1768	24	-47 W	7	10	1	40	7	10	1	1770	22.35	1770	31	-38 W	8	20	2	70	2	70
15760 85 10	29.29	1768	24	-31 W	4	20	1	40	4	20	1	1770	22.35	1770	31	+38 W	5	30	2	40	2	40
15761 85 10	29.29	1768	24	-24 W	2	60	1	70	2	60	1	1770	23.34	1770	198	+24 E	6	30	1	90	1	90
15762 85 10	29.29	1768	24	-2 W	13	60	1	140	13	60	1	1770	23.34	1770	198	-32 E	2	30	1	30	1	30
15763 85 10	29.29	1768	24	+10 W	2	30	1	50	2	30	1	1770	23.34	1770	18	-18 W	6	10	1	30	1	30
15764 85 10	29.29	1768	24	+33 W	5	50	1	90	5	50	1	1770	23.34	1770	18	+32 W	2	40	1	50	1	50
15765 85 10	30.36	1768	190	+40 E	5	20	2	30	5	20	2	1770	24.31	1770	185	+37 E	3	30	2	40	2	40
15766 85 10	30.36	1768	190	-39 E	8	30	2	90	8	30	2	1770	24.31	1770	185	+1 E	1	20	2	20	2	20
15767 85 10	30.36	1768	10	-42 W	12	60	2	190	12	60	2	1770	24.31	1770	185	-31 E	4	50	2	100	2	100
15768 85 10	30.36	1768	10	-11 W	22	80	2	290	22	80	2	1770	24.31	1770	5	-34 W	1	30	2	30	2	30
15769 85 10	30.36	1768	10	+9 W	2	30	2	40	2	30	2	1770	24.31	1770	5	-15 W	1	20	1	20	1	20
15770 85 10	31.28	1768	178	+3 E	2	20	1	30	2	20	1	1770	24.31	1770	5	+25 W	1	20	2	20	2	20
15771 85 10	31.28	1768	178	-39 E	15	40	2	180	15	40	2	1770	24.31	1770	5	+36 W	1	10	1	10	1	10
15772 85 10	31.28	1768	358	-41 W	4	50	2	120	4	50	2	1770	24.31	1770	5	+44 W	1	10	1	10	1	10
15773 85 10	31.28	1768	358	-34 W	1	10	1	10	1	10	1	1770	25.44	1770	170	+48 E	2	60	3	50	3	50
15774 85 10	31.28	1768	358	-15 W	1	30	1	10	1	30	1	1770	25.44	1770	170	+18 E	10	30	2	140	2	140
15775 85 10	31.28	1768	358	+37 W	1	20	1	20	1	20	1	1770	25.44	1770	170	+7 E	1	30	2	10	4	10
15776 85 11	1.54	1768	161	-33 E	9	20	2	130	9	20	2	1770	25.44	1770	170	-12 E	2	40	2	50	2	50
15777 85 11	1.54	1768	341	-40 W	16	50	2	150	16	50	2	1770	25.44	1770	170	-30 E	4	40	2	80	2	80
15778 85 11	3.42	1768	137	-32 E	10	50	2	210	10	50	2	1770	25.44	1770	350	-47 W	3	20	2	40	2	40
15779 85 11	3.42	1768	317	-56 W	3	40	1	70	3	40	1	1770	25.44	1770	350	+42 W	3	50	3	80	3	80
15780 85 11	3.42	1768	317	-12 W	12	30	1	140	12	30	1	1771	8.39	1771	346	+41 E	2	20	2	30	2	30
15781 85 12	1.52	1769	126	+34 E	16	30	2	180	16	30	2	1771	8.39	1771	346	+25 E	1	20	1	20	1	20
15782 85 12	1.52	1769	306	-12 W	1	40	2	40	1	40	2	1771	8.39	1771	166	-34 W	4	50	2	110	2	110
15783 85 12	1.52	1769	306	+24 W	6	70	2	90	6	70	2	1771	8.39	1771	166	+17 W	3	30	1	50	3	50
15784 85 12	1.52	1769	306	+43 W	5	20	2	50	5	20	2	1771	8.39	1771	166	+44 W	2	30	1	50	2	50
15785 85 12	5.39	1770	75	+3 E	8	80	1	170	8	80	1	1771	21.51	1771	173	+16 E	4	20	1	50	4	50
15786 85 12	5.39	1770	75	-38 E	20	50	1	190	20	50	1	1771	21.51	1771	173	-38 E	4	20	1	50	4	50
15787 85 12	5.39	1770	255	+39 W	9	30	1	110	9	30	1	1771	23.50	1771	146	+46 E	4	30	2	60	4	60
15788 85 12	13.34	1770	330	+21 E	3	20	2	40	3	20	2	1771	23.50	1771	146	+12 E	1	30	1	20	1	20
15789 85 12	13.34	1770	330	+5 E	1	20	1	20	1	20	1	1771	23.50	1771	146	-36 E	2	50	2	80	2	80
15790 85 12	13.34	1770	330	-44 E	4	20	2	40	4	20	2	1771	23.50	1771	326	-38 W	2	20	2	30	2	30

TABLE 1 CONTINUED

TABLE 1 CONTINUED

15831 86	1	23.50	1771	326	+22 W	1	30	1	20	15871 86	2	21.62	1772	302	-36 W	7	60	3	120
15832 86	1	23.50	1771	326	+34 W	1	20	2	20	15872 86	2	21.62	1772	302	+42 W	1	20	2	20
15833 86	1	23.50	1771	326	+42 W	6	50	2	110	15873 86	2	22.58	1772	113	+ 8 E	2	30	1	30
15834 86	1	28.32	1772	83	-14 E	1	10	1	10	15874 86	2	22.58	1772	113	- 1 E	1	20	1	20
15835 86	1	28.32	1772	83	-44 E	5	50	2	120	15875 86	2	22.28	1772	113	-11 E	1	20	1	20
15836 86	1	28.32	1772	263	+39 W	5	20	2	110	15876 86	2	22.58	1772	113	-35 E	8	40	2	90
15837 86	1	30.43	1772	55	+31 E	4	20	2	40	15877 86	2	22.28	1772	293	-50 W	6	40	2	80
15838 86	1	30.43	1772	55	-21 E	1	10	1	10	15878 86	2	22.28	1772	293	-34 W	12	80	2	270
15839 86	1	30.43	1772	55	-37 E	6	30	2	60	15879 86	2	22.58	1772	293	-18 W	2	20	1	20
15840 86	1	30.43	1772	235	- 9 W	15	50	2	120	15880 86	2	22.28	1772	293	+39 W	4	20	1	20
15841 86	1	30.43	1772	235	+19 W	1	10	2	10	15881 86	2	24.50	1773	84	+28 E	4	30	2	80
15842 86	2	4.31	1772	351	-18 E	1	30	1	30	15882 86	2	24.50	1773	84	-37 E	3	40	2	90
15843 86	2	4.31	1772	351	-44 E	2	30	2	40	15883 86	2	24.50	1773	84	-68 E	1	20	1	20
15844 86	2	4.31	1772	171	+ 5 W	2	40	2	40	15884 86	2	24.50	1773	264	-13 W	1	50	1	30
15845 86	2	4.31	1772	171	+16 W	1	20	1	10	15885 86	2	24.50	1773	264	+48 W	3	20	1	20
15846 86	2	4.31	1772	171	+20 W	2	20	2	30	15886 86	2	25.30	1773	73	+31 E	4	60	3	110
15847 86	2	5.42	1772	336	+38 E	1	10	1	10	15887 86	2	25.30	1773	73	-41 E	2	30	2	40
15848 86	2	5.42	1772	336	-16 E	8	50	3	90	15888 86	2	25.30	1773	253	-15 W	12	40	2	80
15849 86	2	5.42	1772	336	-46 E	3	20	2	40	15889 86	2	25.30	1773	253	+11 W	6	40	2	50
15850 86	2	5.42	1772	156	-41 W	1	20	2	20	15890 86	2	25.30	1773	253	+43 W	6	50	2	130
15851 86	2	6.36	1772	323	+45 E	3	40	1	60	15891 86	2	26.29	1773	60	+31 E	4	40	2	80
15852 86	2	6.36	1772	323	-44 E	3	30	1	40	15892 86	2	26.29	1773	60	- 6 E	9	20	1	70
15853 86	2	6.36	1772	143	+36 W	5	70	2	130	15893 86	2	26.29	1773	60	-44 E	5	10	1	20
15854 86	2	6.36	1772	143	- 3 W	4	20	1	30	15894 86	2	26.29	1773	240	-18 W	10	30	1	70
15855 86	2	6.36	1772	143	+38 W	2	20	1	30	15895 86	2	26.29	1773	240	+ 1 W	1	30	1	20
15856 86	2	7.42	1772	309	+21 E	1	40	1	20	15896 86	2	26.29	1773	240	+35 W	8	50	3	160
15857 86	2	7.42	1772	129	+ 2 W	4	50	1	70	15897 86	2	27.29	1773	227	-21 W	2	20	2	40
15858 86	2	18.44	1772	164	+36 E	1	30	2	20	15898 86	2	27.29	1773	227	+40 W	5	50	2	110
15859 86	2	18.44	1772	164	-31 E	6	20	2	40	15899 86	2	28.32	1773	34	- 4 E	6	20	3	60
15860 86	2	18.44	1772	344	+67 W	1	10	1	10	15900 86	2	28.32	1773	34	-13 E	1	30	3	20
15861 86	2	18.44	1772	344	+76 W	5	50	2	40	15901 86	2	28.32	1773	214	+ 9 W	1	50	2	20
15862 86	2	19.31	1772	153	+23 E	1	20	2	20	15902 86	2	28.32	1773	214	+29 W	1	20	2	20
15863 86	2	19.31	1772	153	+ 9 E	5	30	2	80	15903 86	2	28.32	1773	214	+36 W	1	20	2	20
15864 86	2	19.31	1772	153	- 3 E	2	20	2	40	15904 86	3	3.50	1773	352	+26 E	2	20	1	20
15865 86	2	19.31	1772	333	-48 W	3	20	2	30	15905 86	3	3.50	1773	352	-39 E	9	40	2	90
15866 86	2	19.31	1772	333	-25 W	2	40	2	40	15906 86	3	3.50	1773	172	-30 W	4	40	2	50
15867 86	2	19.31	1772	333	- 2 W	1	10	1	10	15907 86	3	6.29	1773	315	-35 E	1	40	2	30
15868 86	2	19.31	1772	333	+10 W	2	40	2	30	15908 86	3	6.29	1773	315	-48 E	10	40	2	100
15869 86	2	21.62	1772	122	+41 E	3	40	2	90	15909 86	3	6.29	1773	135	-32 W	5	50	2	80
15870 86	2	21.62	1772	302	-47 W	7	40	3	90	15910 86	3	6.29	1773	135	-15 W	1	20	1	20

TABLE 1 CONTINUED

TABLE 1 CONTINUED

15911 86	3	9.28	1773	275	-25 E	1	30	1	20	15951 86	3	16.29	1773	3	-13 W	1	30	2	40
15912 86	3	9.28	1773	275	-40 E	1	30	1	20	15952 86	3	17.28	1773	170	+19 E	1	10	2	10
15913 86	3	9.28	1773	95	-38 W	8	50	1	80	15953 86	3	17.28	1773	170	-27 E	15	30	2	140
15914 86	3	9.28	1773	95	+21 W	8	80	2	130	15954 86	3	17.28	1773	350	-43 W	6	40	1	70
15915 86	3	9.28	1773	95	+33 W	1	40	1	20	15955 86	3	17.28	1773	350	-30 W	1	20	1	40
15916 86	3	11.50	1773	246	+43 E	1	10	1	10	15956 86	3	17.28	1773	350	+7 W	4	20	1	40
15917 86	3	11.50	1773	246	+38 E	8	30	1	40	15957 86	3	17.28	1773	350	+68 W	1	20	1	20
15918 86	3	11.50	1773	66	-37 W	7	50	2	120	15958 86	3	18.27	1773	157	+30 E	2	10	2	20
15919 86	3	11.50	1773	66	+30 W	3	20	2	60	15959 86	3	18.27	1773	157	-32 E	8	30	2	90
15920 86	3	11.50	1773	66	+37 W	1	30	2	20	15960 86	3	18.27	1773	337	-73 W	1	10	1	10
15921 86	3	11.50	1773	66	+40 W	1	30	2	30	15961 86	3	18.27	1773	337	-27 W	1	20	2	20
15922 86	3	12.57	1773	232	-21 E	10	40	2	90	15962 86	3	18.27	1773	337	-15 W	2	10	2	20
15923 86	3	12.57	1773	52	-42 W	5	20	2	50	15963 86	3	18.27	1773	337	+61 W	1	10	1	10
15924 86	3	12.57	1773	52	-18 W	1	50	2	20	15964 86	3	19.27	1773	143	-22 E	2	10	1	20
15925 86	3	12.57	1773	52	-1 W	2	10	2	20	15965 86	3	19.27	1773	143	-33 E	7	20	2	60
15926 86	3	12.57	1773	52	+27 W	4	20	2	50	15966 86	3	19.27	1773	323	-68 W	1	10	2	10
15927 86	3	12.57	1773	52	+37 W	1	30	1	20	15967 86	3	19.27	1773	323	-39 W	6	30	1	50
15928 86	3	12.57	1773	52	+41 W	1	30	2	30	15968 86	3	20.27	1773	130	-22 E	5	30	2	90
15929 86	3	13.34	1773	222	+46 E	1	20	2	20	15969 86	3	20.27	1773	310	-50 W	3	10	2	30
15930 86	3	13.34	1773	222	+41 E	1	20	2	10	15970 86	3	20.27	1773	310	-46 W	1	20	2	20
15931 86	3	13.34	1773	222	-17 E	5	50	2	110	15971 86	3	20.27	1773	310	-40 W	3	20	2	90
15932 86	3	13.34	1773	222	-70 E	1	20	1	10	15972 86	3	20.27	1773	310	+41 W	2	10	1	20
15933 86	3	13.34	1773	42	-37 W	11	40	3	70	15973 86	3	20.27	1773	310	+45 W	2	10	1	20
15934 86	3	13.34	1773	42	-25 W	1	20	2	20	15974 86	3	23.40	1774	89	+10 E	30	70	2	360
15935 86	3	13.34	1773	42	-1 W	4	10	2	30	15975 86	3	23.40	1774	89	-43 E	2	20	1	30
15936 86	3	13.34	1773	42	-1 W	12	50	3	140	15976 86	3	23.40	1774	269	-35 W	27	110	1	260
15937 86	3	13.34	1773	42	+42 W	2	20	2	30	15977 86	3	23.40	1774	269	-18 W	2	10	1	20
15938 86	3	15.34	1773	195	-5 E	6	60	3	50	15978 86	3	23.40	1774	269	-5 W	1	60	1	60
15939 86	3	15.34	1773	195	-28 E	1	40	2	20	15979 86	3	23.40	1774	269	+13 W	1	40	1	60
15940 86	3	15.34	1773	15	-39 W	3	70	3	60	15980 86	3	26.32	1774	50	+2 E	8	40	1	70
15941 86	3	15.34	1773	15	-19 W	2	20	2	30	15981 86	3	26.32	1774	50	-37 E	2	40	2	60
15942 86	3	15.34	1773	15	+32 W	5	30	3	70	15982 86	3	26.32	1774	230	+39 W	3	20	2	60
15943 86	3	16.29	1773	183	+13 E	1	30	2	30	15983 86	3	26.32	1774	230	+44 W	4	30	2	70
15944 86	3	16.29	1773	183	+9 E	1	30	2	30	15984 86	3	27.46	1774	35	+39 E	3	10	2	30
15945 86	3	16.29	1773	183	+3 E	2	20	2	40	15985 86	3	27.46	1774	35	+22 E	13	40	2	300
15946 86	3	16.29	1773	183	-21 E	3	30	2	50	15986 86	3	27.46	1774	35	-19 E	7	30	2	80
15947 86	3	16.29	1773	183	-27 E	1	40	2	40	15987 86	3	27.46	1774	35	-38 E	8	80	1	80
15948 86	3	16.29	1773	183	-33 E	1	20	2	20	15988 86	3	27.46	1774	215	+11 W	1	40	1	40
15949 86	3	16.29	1773	3	-43 W	2	30	2	50	15989 86	3	27.46	1774	215	+43 W	7	30	2	130
15950 86	3	16.29	1773	3	-25 W	2	40	2	70	15990 86	3	30.28	1774	358	+54 E	1	30	1	40

TABLE 1 CONTINUED

TABLE 1 CONTINUED

15991 86	3	30.28	1774	358	+13 E	3	20	1	30	16031 86	4	16.20	1774	135	-8 E	1	40	2	30
15992 86	3	30.28	1774	358	-29 E	1	40	1	40	16032 86	4	16.20	1774	135	-37 E	9	40	3	120
15993 86	3	30.28	1774	358	-45 E	7	20	2	70	16033 86	4	16.20	1774	315	-33 A	5	20	2	40
15994 86	3	30.28	1774	178	-26 W	1	40	1	40	16034 86	4	16.20	1774	315	+30 W	9	40	2	40
15995 86	3	30.28	1774	178	+13 W	1	20	1	20	16035 86	4	22.25	1775	55	+61 E	1	20	2	20
15996 86	3	31.29	1774	345	+14 E	1	40	1	50	16036 86	4	22.25	1775	55	+33 E	5	40	2	110
15997 86	3	31.29	1774	345	-41 E	8	50	1	110	16037 86	4	22.25	1775	55	-10 E	2	20	1	30
15998 86	3	31.29	1774	165	-31 W	6	40	2	80	16038 86	4	22.25	1775	55	-43 E	9	20	2	130
15999 86	4	1.51	1774	329	-44 E	9	50	2	140	16039 86	4	22.25	1775	235	-48 W	4	20	2	30
16000 86	4	1.51	1774	149	-30 W	5	80	2	90	16040 86	4	22.25	1775	235	0 W	6	30	2	50
16001 86	4	4.25	1774	293	-51 E	3	40	1	40	16041 86	4	22.25	1775	235	+30 W	7	20	2	110
16002 86	4	4.25	1774	113	-26 W	7	40	1	60	16042 86	4	24.35	1775	27	+38 E	2	10	2	20
16003 86	4	6.31	1774	265	-46 E	5	50	2	90	16043 86	4	24.35	1775	27	+28 E	2	10	2	20
16004 86	4	6.31	1774	35	-36 W	3	20	2	40	16044 86	4	24.35	1775	27	+19 E	4	10	2	40
16005 86	4	6.31	1774	35	-11 W	4	50	2	20	16045 86	4	24.35	1775	27	-21 E	2	20	2	40
16006 86	4	6.31	1774	85	+20 W	1	50	2	50	16046 86	4	24.35	1775	27	-40 E	7	20	2	90
16007 86	4	6.31	1774	85	+33 W	6	60	2	70	16047 86	4	24.35	1775	207	+1 W	1	60	1	60
16008 86	4	8.27	1774	240	-41 E	3	20	2	30	16048 86	4	24.35	1775	207	+11 W	2	20	2	30
16009 86	4	8.27	1774	60	-7 W	1	50	2	30	16049 86	4	24.35	1775	207	+40 W	5	40	2	100
16010 86	4	8.27	1774	60	+11 W	5	30	2	70	16050 86	4	29.26	1775	322	+44 E	2	20	2	30
16011 86	4	9.46	1774	224	+37 E	1	20	2	20	16051 86	4	29.26	1775	322	+23 E	6	60	2	120
16012 86	4	9.46	1774	224	+25 E	4	50	3	70	16052 86	4	29.26	1775	322	-18 E	1	30	1	30
16013 86	4	9.46	1774	224	-5 E	6	30	2	30	16053 86	4	29.26	1775	322	-39 E	1	30	1	40
16014 86	4	9.46	1774	224	-24 E	3	40	2	60	16054 86	4	29.26	1775	322	-47 F	1	40	1	60
16015 86	4	9.46	1774	44	-42 W	3	40	2	50	16055 86	4	29.26	1775	142	-30 W	7	40	2	120
16016 86	4	9.46	1774	44	-9 W	6	20	2	30	16056 86	5	2.24	1775	283	-39 E	1	30	2	30
16017 86	4	9.46	1774	44	+14 W	3	10	2	20	16057 86	5	2.24	1775	283	-47 E	2	10	2	30
16018 86	4	9.46	1774	44	+23 W	3	30	3	40	16058 86	5	2.24	1775	103	-28 W	1	40	1	40
16019 86	4	9.46	1774	44	+39 W	2	30	2	40	16059 86	5	2.24	1775	103	-3 W	3	20	2	40
16020 86	4	12.24	1774	187	+45 E	1	20	2	20	16060 86	5	3.28	1775	269	+42 E	2	10	2	20
16021 86	4	12.24	1774	187	-21 E	2	20	2	20	16061 86	5	3.28	1775	269	-29 E	2	30	2	50
16022 86	4	12.24	1774	7	-16 W	4	30	2	40	16062 86	5	3.28	1775	269	-45 E	3	10	2	30
16023 86	4	12.24	1774	7	+7 W	1	10	1	10	16063 86	5	3.28	1775	89	-33 W	5	40	2	140
16024 86	4	15.25	1774	147	-40 E	8	30	3	70	16064 86	5	3.28	1775	89	-6 W	1	40	1	40
16025 86	4	15.25	1774	327	-46 W	5	20	2	20	16065 86	5	3.28	1775	89	+30 W	5	30	2	50
16026 86	4	15.25	1774	327	-18 W	1	60	3	30	16066 86	5	3.28	1775	89	+38 W	3	30	2	50
16027 86	4	15.25	1774	327	+7 W	4	50	3	70	16067 86	5	4.25	1775	257	+40 E	6	40	2	130
16028 86	4	15.25	1774	327	+46 W	5	20	3	70	16068 86	5	4.25	1775	257	-36 E	9	60	2	170
16029 86	4	16.20	1774	135	+9 E	1	10	2	10	16069 86	5	4.25	1775	257	-47 E	7	30	2	80
16030 86	4	16.20	1774	135	+2 E	1	10	2	10	16070 86	5	4.25	1775	77	-39 W	3	30	2	70

TABLE 1 CONTINUED

TABLE 1 CONTINUED

16071 86	5	4.25	1775	77	-16 W	2	10	2	20	16111 86	5	21.21	1776	213	-14 W	1	70	2	70
16072 86	5	4.25	1775	77	+5 W	1	30	2	30	16112 86	5	21.21	1776	213	+10 W	16	40	2	220
16073 86	5	4.25	1775	77	+13 W	6	40	2	110	16113 86	5	23.19	1776	7	-5 E	4	30	2	60
16074 86	5	4.25	1775	77	+37 W	10	70	2	260	16114 86	5	23.19	1776	7	-45 E	6	20	2	100
16075 86	5	5.19	1775	244	+41 E	7	40	2	240	16115 86	5	23.19	1776	187	-42 W	1	50	1	60
16076 86	5	5.19	1775	244	+14 E	1	20	1	20	16116 86	5	23.19	1776	187	-12 W	5	30	2	100
16077 86	5	5.19	1775	244	+1 E	3	20	1	40	16117 86	5	23.19	1776	187	+22 W	4	40	2	60
16078 86	5	5.19	1775	244	-37 E	6	50	2	190	16118 86	5	23.19	1776	187	+36 W	10	40	2	200
16079 86	5	5.19	1775	244	-47 E	4	50	2	130	16119 86	5	24.24	1776	353	-7 E	1	20	2	20
16080 86	5	5.19	1775	64	-38 W	5	40	3	120	16120 86	5	24.24	1776	353	-21 E	2	30	2	60
16081 86	5	5.19	1775	64	+9 W	7	50	2	210	16121 86	5	24.24	1776	353	-33 E	2	40	2	60
16082 86	5	5.19	1775	64	+37 W	10	80	2	380	16122 86	5	24.24	1776	173	-27 W	4	20	1	30
16083 86	5	6.31	1775	229	+39 E	2	40	2	40	16123 86	5	24.24	1776	173	-10 W	1	30	1	30
16084 86	5	6.31	1775	229	-12 E	5	10	2	30	16124 86	5	25.38	1776	158	-11 W	5	40	2	110
16085 86	5	6.31	1775	229	-49 E	5	20	2	80	16125 86	5	26.21	1776	327	+18 E	1	100	1	150
16086 86	5	6.31	1775	49	-38 W	5	40	2	150	16126 86	5	26.21	1776	327	-41 E	10	40	2	110
16087 86	5	6.31	1775	49	-18 W	1	20	2	30	16127 86	5	26.21	1776	147	-28 W	2	30	2	40
16088 86	5	6.31	1775	49	+21 W	3	20	2	50	16128 86	5	27.38	1776	131	-29 W	7	40	2	160
16089 86	5	6.31	1775	49	+38 W	6	50	2	160	16129 86	5	28.27	1776	300	+43 E	1	20	2	20
16090 86	5	7.30	1775	216	+42 E	8	40	2	120	16130 86	5	28.27	1776	300	+38 E	1	40	2	40
16091 86	5	7.30	1775	216	-18 E	1	40	1	40	16131 86	5	28.27	1776	300	+30 E	1	40	2	70
16092 86	5	7.30	1775	216	-48 E	5	20	2	60	16132 86	5	28.27	1776	300	+22 E	1	20	2	20
16093 86	5	7.30	1775	36	-18 W	7	30	2	110	16133 86	5	28.27	1776	300	+11 E	6	40	2	80
16094 86	5	7.30	1775	36	+38 W	8	30	1	80	16134 86	5	28.27	1776	120	-30 W	13	70	2	290
16095 86	5	8.32	1775	203	+41 E	3	60	2	150	16135 86	5	31.29	1776	260	+27 E	4	40	2	100
16096 86	5	11.19	1775	165	+45 E	5	30	2	50	16136 86	5	31.29	1776	260	+7 E	2	30	2	50
16097 86	5	11.19	1775	165	+29 E	1	20	2	20	16137 86	5	31.29	1776	260	-29 E	6	90	2	140
16098 86	5	11.19	1775	165	+5 E	7	20	2	120	16138 86	5	31.29	1776	80	+16 W	8	50	2	190
16099 86	5	11.19	1775	165	-20 E	9	40	1	110	16139 86	5	31.29	1776	80	+45 W	3	30	2	60
16100 86	5	11.19	1775	345	-32 W	16	60	2	210	16140 86	6	4.27	1776	207	+16 E	4	50	2	100
16101 86	5	11.19	1775	345	+26 W	2	40	2	60	16141 86	6	4.27	1776	207	-37 E	5	30	2	90
16102 86	5	11.19	1775	345	+49 W	5	20	2	40	16142 86	6	7.17	1776	169	+42 E	3	20	2	40
16103 86	5	14.21	1775	125	+20 E	5	40	2	110	16143 86	6	7.17	1776	169	-30 E	3	40	2	60
16104 86	5	14.21	1775	125	-36 F	1	30	2	30	16144 86	6	7.17	1776	349	-40 W	4	20	2	70
16105 86	5	14.21	1775	125	-44 E	2	30	2	30	16145 86	6	8.18	1776	156	+40 E	1	20	2	30
16106 86	5	14.21	1775	305	+46 W	9	50	2	230	16146 86	6	8.18	1776	156	-9 E	3	10	2	30
16107 86	5	21.21	1776	33	+37 E	3	30	2	60	16147 86	6	8.18	1776	156	-35 E	7	60	2	70
16108 86	5	21.21	1776	33	-25 E	3	30	2	60	16148 86	6	8.18	1776	336	-40 W	5	40	2	130
16109 86	5	21.21	1776	33	-43 E	6	40	2	120	16149 86	6	8.18	1776	336	-14 W	4	20	2	40
16110 86	5	21.21	1776	213	-43 W	7	40	2	170	16150 86	6	8.18	1776	336	+33 W	9	30	2	70

TABLE 1 CONTINUED

TABLE 1 CONTINUED

16151 86	6	11.23	1776	115	-38 E	6	90	2	170	16191 86	7	5.19	1777	339	-13 W	5	50	1	50
16152 86	6	11.23	1776	295	-38 W	10	40	2	200	16192 86	7	5.10	1777	339	+3 W	1	50	1	40
16153 86	6	14.22	1777	76	+33 E	5	60	2	150	16193 86	7	5.19	1777	339	+27 W	2	40	2	50
16154 86	6	14.22	1777	76	+7 E	1	80	1	80	16194 86	7	6.34	1777	144	+21 E	1	10	2	10
16155 86	6	14.22	1777	76	-45 E	6	30	2	110	16195 86	7	6.34	1777	144	-33 E	6	100	2	190
16156 86	6	14.22	1777	256	-40 W	14	30	2	130	16196 86	7	6.34	1777	324	+14 W	2	30	2	40
16157 86	6	14.22	1777	256	+33 W	16	70	2	420	16197 86	7	13.21	1778	53	+21 E	7	40	2	120
16158 86	6	14.22	1777	256	+62 W	1	40	2	50	16198 86	7	13.21	1778	53	+8 E	1	50	1	50
16159 86	6	15.20	1777	63	+34 E	5	40	2	80	16199 86	7	13.21	1778	53	-43 E	2	30	2	50
16160 86	6	15.20	1777	63	+16 E	12	40	2	140	16200 86	7	13.21	1778	233	-44 W	2	20	2	30
16161 86	6	15.20	1777	63	-9 E	9	60	2	290	16201 86	7	13.21	1778	233	-23 W	10	30	2	130
16162 86	6	15.20	1777	63	-43 E	4	50	2	110	16202 86	7	13.21	1778	233	-4 W	1	40	1	40
16163 86	6	15.20	1777	243	-34 W	3	60	2	110	16203 86	7	13.21	1778	233	+8 W	7	60	2	130
16164 86	6	15.20	1777	243	+33 W	6	30	2	90	16204 86	7	14.22	1778	40	+36 E	1	30	2	30
16165 86	6	16.18	1777	50	+38 E	7	60	2	200	16205 86	7	14.22	1778	40	+7 E	1	100	1	90
16166 86	6	16.18	1777	50	+19 E	12	60	2	270	16206 86	7	14.22	1778	40	-45 E	3	60	2	120
16167 86	6	16.18	1777	50	-11 E	2	20	2	40	16207 86	7	14.22	1778	220	-21 W	8	50	2	130
16168 86	6	16.18	1777	50	-19 E	2	20	2	40	16208 86	7	14.22	1778	220	-5 W	1	40	1	40
16169 86	6	16.18	1777	50	-45 E	4	50	2	110	16209 86	7	14.22	1778	220	+12 W	4	70	2	120
16170 86	6	16.18	1777	230	-33 W	1	20	2	20	16210 86	7	15.29	1778	26	+11 E	2	20	2	30
16171 86	6	16.18	1777	230	+8 W	1	30	1	30	16211 86	7	15.29	1778	26	-1 E	1	10	1	10
16172 86	6	17.24	1777	36	+37 E	8	40	2	230	16212 86	7	15.29	1778	26	-20 E	4	30	2	40
16173 86	6	17.24	1777	36	-43 E	3	70	2	90	16213 86	7	15.29	1778	26	-49 E	3	40	2	50
16174 86	6	20.23	1777	357	+11 E	3	90	1	120	16214 86	7	15.29	1778	206	+23 W	4	40	2	60
16175 86	6	20.23	1777	177	-41 W	3	30	1	50	16215 86	7	16.25	1778	13	-8 E	2	30	2	30
16176 86	6	20.23	1777	177	-35 W	1	60	1	50	16216 86	7	16.25	1778	13	-51 E	4	30	2	80
16177 86	6	20.23	1777	177	-16 W	2	50	2	80	16217 86	7	16.25	1778	193	-38 W	1	20	1	20
16178 86	6	20.23	1777	177	+45 W	2	40	2	70	16218 86	7	16.25	1778	193	+16 W	9	60	2	90
16179 86	7	3.20	1777	185	+23 E	9	40	2	110	16219 86	7	16.25	1778	193	+35 W	1	100	3	100
16180 86	7	3.20	1777	185	+6 E	1	50	1	50	16220 86	7	17.23	1778	0	+40 E	1	20	1	30
16181 86	7	3.20	1777	185	-43 E	7	30	2	90	16221 86	7	17.23	1778	0	+1 E	8	30	2	70
16182 86	7	3.20	1777	5	-38 W	4	70	2	150	16222 86	7	17.23	1778	0	-49 E	1	20	1	20
16183 86	7	3.20	1777	5	-1 W	1	50	1	40	16223 86	7	17.23	1778	180	-26 W	2	50	2	50
16184 86	7	3.20	1777	5	+14 W	1	40	1	30	16224 86	7	17.23	1778	180	-17 W	1	10	1	10
16185 86	7	3.20	1777	5	+48 W	1	30	1	30	16225 86	7	17.23	1778	180	-10 W	5	40	3	120
16186 86	7	5.19	1777	159	+38 E	7	20	2	50	16226 86	7	17.23	1778	180	+10 W	1	20	2	20
16187 86	7	5.19	1777	159	-18 E	11	50	2	160	16227 86	7	17.23	1778	180	+20 W	1	70	2	70
16188 86	7	5.19	1777	159	-37 E	7	40	1	100	16228 86	7	22.19	1778	295	-51 E	3	20	1	60
16189 86	7	5.19	1777	339	-38 W	2	30	2	40	16229 86	7	22.19	1778	115	-67 W	1	40	1	30
16190 86	7	5.19	1777	339	-28 W	1	50	2	100	16230 86	7	23.21	1778	281	+43 E	9	70	3	420

TABLE 1 CONTINUED

TABLE 1 CONTINUED

16231 86	7	23,21	1778	281	+ 5 E	10	80	3	360	16271 86	8	10,22	1779	44	-22 E	3	50	2	80
16232 86	7	23,21	1778	281	-39 E	10	50	3	130	16272 86	8	10,22	1779	224	-17 W	2	50	2	70
16233 86	7	23,21	1778	101	-39 W	1	20	1	20	16273 86	8	12,23	1779	17	+35 E	7	30	1	40
16234 86	7	23,21	1778	101	-26 W	3	40	2	70	16274 86	8	12,23	1779	17	+ 3 E	3	50	1	50
16235 86	7	23,21	1778	101	-12 W	4	30	2	30	16275 86	8	12,23	1779	17	- 9 E	3	20	2	40
16236 86	7	23,21	1778	101	+53 W	2	20	2	20	16276 86	8	12,23	1779	17	-46 E	6	40	2	150
16237 86	7	29,22	1778	202	+23 E	4	50	2	60	16277 86	8	12,23	1779	197	+23 W	7	50	2	70
16238 86	7	29,22	1778	202	+11 E	2	10	2	30	16278 86	8	12,23	1779	197	+29 W	1	40	2	30
16239 86	7	29,22	1778	202	-54 E	1	40	2	30	16279 86	8	12,23	1779	197	+49 W	1	20	1	20
16240 86	7	29,22	1778	22	-34 W	10	80	3	380	16280 86	8	14,24	1779	350	+ 5 E	1	40	1	30
16241 86	7	29,22	1778	22	+16 W	1	10	1	10	16281 86	8	14,24	1779	350	- 6 E	1	10	1	10
16242 86	7	29,22	1778	22	+37 W	1	30	2	30	16282 86	8	14,24	1779	350	-23 E	3	40	2	40
16243 86	7	29,22	1778	22	+46 W	4	40	2	90	16283 86	8	14,24	1779	350	-41 E	3	10	2	30
16244 86	8	1,27	1778	162	+30 E	1	40	2	30	16284 86	8	14,24	1779	350	-50 E	9	70	3	200
16245 86	8	1,27	1778	162	+ 5 E	5	100	2	240	16285 86	8	14,24	1779	170	-44 W	1	40	2	30
16246 86	8	1,27	1778	162	-10 E	1	20	2	30	16286 86	8	14,24	1779	170	-28 W	2	40	2	60
16247 86	8	1,27	1778	162	-29 E	5	60	2	70	16287 86	8	14,24	1779	170	+24 W	2	30	2	50
16248 86	8	1,27	1778	162	-36 E	4	20	2	60	16288 86	8	14,24	1779	170	+29 W	1	20	2	20
16249 86	8	1,27	1778	162	-44 E	6	50	2	130	16289 86	8	14,24	1779	170	+34 W	1	30	2	30
16250 86	8	1,27	1778	342	-36 W	9	40	2	80	16290 86	8	14,24	1779	170	+44 W	1	20	1	20
16251 86	8	1,27	1778	342	-28 W	2	60	2	70	16291 86	8	17,55	1779	307	+58 E	2	20	2	40
16252 86	8	1,27	1778	342	-23 W	1	10	1	10	16292 86	8	17,55	1779	307	+42 E	2	20	2	40
16253 86	8	1,27	1778	342	+22 W	1	40	1	20	16293 86	8	17,55	1779	307	-37 E	6	80	1	90
16254 86	8	3,19	1778	136	-11 E	2	20	1	40	16294 86	8	17,55	1779	127	-32 W	1	30	2	40
16255 86	8	3,19	1778	136	-45 E	9	70	2	140	16295 86	8	17,55	1779	127	+13 W	2	70	1	90
16256 86	8	3,19	1778	316	-31 W	1	40	1	40	16296 86	8	22,26	1779	245	+43 E	7	50	2	150
16257 86	8	3,19	1778	316	-20 W	8	50	2	140	16297 86	8	22,26	1779	245	-22 E	1	30	2	30
16258 86	8	3,19	1778	316	-11 W	3	40	2	50	16298 86	8	22,26	1779	245	-48 E	6	40	2	160
16259 86	8	3,19	1778	316	+30 W	6	30	2	60	16299 86	8	22,26	1779	65	-32 W	2	40	2	50
16260 86	8	3,19	1778	316	+44 W	1	10	1	10	16300 86	8	22,26	1779	65	+28 W	1	150	1	100
16261 86	8	3,19	1778	316	+52 W	3	40	2	70	16301 86	8	30,18	1779	140	-32 E	1	20	2	20
16262 86	8	8,25	1779	70	+25 E	1	30	1	30	16302 86	8	30,18	1779	140	-42 E	5	40	2	70
16263 86	8	8,25	1779	70	+12 E	1	20	1	20	16303 86	8	30,18	1779	320	-40 W	18	80	2	250
16264 86	8	8,25	1779	70	+ 7 E	2	20	2	50	16304 86	8	30,18	1779	320	-15 W	6	60	2	80
16265 86	8	8,25	1779	70	-23 E	1	30	2	30	16305 86	8	30,18	1779	320	+28 W	9	70	1	120
16266 86	8	8,25	1779	70	-38 E	2	50	2	80	16306 86	8	30,18	1779	320	+42 W	1	20	2	70
16267 86	8	8,25	1779	250	-33 W	6	80	3	180	16307 86	9	2,23	1779	100	+32 E	2	60	2	20
16268 86	8	8,25	1779	250	- 6 W	1	50	2	40	16308 86	9	2,23	1779	100	+23 E	2	70	2	130
16269 86	8	10,22	1779	44	+ 9 E	2	20	2	30	16309 86	9	2,23	1779	100	+ 4 E	5	40	2	80
16270 86	8	10,22	1779	44	-19 E	1	40	2	40	16310 86	9	2,23	1779	100	-45 E	4	20	2	50

TABLE 1 CONTINUED

TABLE 1 CONTINUED

16311 86	9	2.23	1779	280	-31 W	9	50	2	160	16351 86	9	17.22	1780	262	+19 E	1	20	1	20
16312 86	9	3.48	1780	83	+20 E	1	40	2	30	16352 86	9	17.22	1780	82	-29 W	3	20	2	30
16313 86	9	3.48	1780	83	+9 E	2	20	2	40	16353 86	9	17.22	1780	82	-24 W	1	10	1	10
16314 86	9	3.48	1780	83	+5 E	2	20	2	40	16354 86	9	17.22	1780	82	-16 W	1	10	1	10
16315 86	9	3.48	1780	83	-3 E	1	20	1	20	16355 86	9	17.22	1780	82	-7 W	1	20	1	10
16316 86	9	3.48	1780	83	-48 E	3	30	2	60	16356 86	9	17.22	1780	82	+20 W	3	10	2	20
16317 86	9	3.48	1780	263	-36 W	11	50	2	190	16357 86	9	17.22	1780	82	+29 W	4	40	2	80
16318 86	9	3.48	1780	263	+29 W	5	50	2	70	16358 86	9	17.22	1780	82	+32 W	7	30	2	90
16319 86	9	6.23	1780	47	+31 E	2	30	2	50	16359 86	9	19.57	1780	231	-8 E	4	30	1	70
16320 86	9	6.23	1780	47	-19 E	5	10	1	20	16360 86	9	19.57	1780	51	-22 E	5	80	1	190
16321 86	9	6.23	1780	47	-42 E	13	50	3	320	16361 86	9	20.25	1780	222	+34 E	4	60	2	70
16322 86	9	6.23	1780	227	-36 W	5	30	2	40	16362 86	9	20.25	1780	222	-44 E	1	40	2	30
16323 86	9	6.23	1780	227	-27 W	9	60	3	390	16363 86	9	20.25	1780	222	-50 E	5	30	2	80
16324 86	9	6.23	1780	227	+9 W	1	30	1	20	16364 86	9	20.25	1780	42	-22 W	15	100	3	310
16325 86	9	6.23	1780	227	+25 W	9	40	2	90	16365 86	9	24.54	1780	145	-18 E	2	30	2	40
16326 86	9	6.23	1780	227	+34 W	2	20	2	30	16366 86	9	24.54	1780	145	-48 E	1	20	2	20
16327 86	9	6.23	1780	227	+54 W	1	40	2	10	16367 86	9	24.54	1780	345	-28 W	6	20	2	50
16328 86	9	8.42	1780	18	-28 E	2	40	1	50	16368 86	9	24.54	1780	345	-17 W	1	20	1	20
16329 86	9	8.42	1780	198	+39 W	2	60	1	60	16369 86	9	24.54	1780	345	+22 W	5	60	3	160
16330 86	9	8.42	1780	198	+41 W	1	10	1	10	16370 86	9	24.54	1780	345	+54 W	1	40	2	30
16331 86	9	11.33	1780	160	-28 W	5	70	2	110	16371 86	9	26.47	1780	140	+13 E	2	50	2	50
16332 86	9	11.33	1780	160	-15 W	3	50	2	80	16372 86	9	26.47	1780	140	-9 E	1	10	1	10
16333 86	9	11.33	1780	160	-4 W	3	50	2	30	16373 86	9	26.47	1780	140	-35 E	1	40	2	40
16334 86	9	11.33	1780	160	+25 W	6	50	2	100	16374 86	9	26.47	1780	140	-52 E	4	30	2	70
16335 86	9	11.33	1780	160	+39 W	1	20	1	20	16375 86	9	26.47	1780	320	-39 W	11	60	3	310
16336 86	9	11.33	1780	160	+49 W	2	40	2	60	16376 86	9	26.47	1780	320	-25 W	1	60	2	20
16337 86	9	12.35	1780	326	+23 E	10	70	2	320	16377 86	9	26.47	1780	320	+19 W	4	60	2	80
16338 86	9	12.35	1780	326	-31 E	5	50	2	70	16378 86	9	26.47	1780	320	+26 W	3	90	3	120
16339 86	9	12.35	1780	146	+50 W	8	50	2	180	16379 86	10	2.26	1781	63	+35 E	1	60	2	100
16340 86	9	16.31	1780	274	+13 E	6	30	2	40	16380 86	10	2.26	1781	63	+22 E	3	40	2	70
16341 86	9	16.31	1780	274	-14 E	2	20	2	30	16381 86	10	2.26	1781	63	-38 E	10	40	2	180
16342 86	9	16.31	1780	274	-40 E	8	60	2	110	16382 86	10	2.26	1781	243	-37 W	8	50	2	230
16343 86	9	16.31	1780	94	-36 W	5	50	3	60	16383 86	10	2.26	1781	243	+18 W	2	30	2	70
16344 86	9	16.31	1780	94	-27 W	8	50	3	120	16384 86	10	4.37	1781	36	-8 E	1	50	1	60
16345 86	9	16.31	1780	94	-2 W	5	10	2	20	16385 86	10	4.37	1781	36	-47 E	1	40	1	40
16346 86	9	16.31	1780	94	+12 W	2	20	1	20	16386 86	10	4.37	1781	216	-80 W	1	30	1	30
16347 86	9	16.31	1780	94	+19 W	2	10	1	10	16387 86	10	4.37	1781	216	-45 W	7	30	2	90
16348 86	9	16.31	1780	94	+39 W	3	30	2	60	16388 86	10	4.37	1781	216	+19 W	2	60	2	50
16349 86	9	17.22	1780	262	+38 E	1	10	1	10	16389 86	10	4.37	1781	216	+31 W	5	90	2	140
16350 86	9	17.22	1780	262	+29 E	1	20	1	20	16390 86	10	5.28	1781	24	-13 E	2	30	1	40

TABLE 1 CONTINUED

16391	86 10	5.28	1781	24	-35 E	10	50	2	120	16431	86 10	18.47	1781	30	-41 W	5	30	1	70
16392	86 10	5.28	1781	204	+27 W	14	110	2	310	16432	86 10	18.47	1781	30	+9 W	12	30	2	120
16393	86 10	6.43	1781	8	-28 E	2	40	2	60	16433	86 10	19.29	1781	199	+43 E	6	20	2	80
16394	86 10	6.43	1781	188	+27 W	4	90	2	140	16434	86 10	19.29	1781	199	+22 E	1	50	2	100
16395	86 10	9.30	1781	331	-38 E	7	40	2	100	16435	86 10	19.29	1781	19	-38 W	3	30	1	60
16396	86 10	9.30	1781	151	-43 W	5	40	2	150	16436	86 10	19.29	1781	19	+12 W	9	50	2	120
16397	86 10	9.30	1781	151	-30 W	1	30	2	30	16437	86 10	20.55	1781	182	+24 E	12	100	1	290
16398	86 10	11.26	1781	305	-20 E	2	30	2	60	16438	86 10	20.55	1781	182	-35 E	1	30	2	30
16399	86 10	11.26	1781	305	-42 E	1	10	2	10	16439	86 10	20.55	1781	182	-48 E	1	20	2	20
16400	86 10	11.26	1781	125	-57 W	1	20	2	30	16440	86 10	20.55	1781	2	-25 W	2	20	2	40
16401	86 10	11.26	1781	125	-13 W	4	30	2	110	16441	86 10	20.55	1781	2	+16 W	3	20	2	60
16402	86 10	11.26	1781	125	+9 W	4	50	2	120	16442	86 10	25.34	1781	119	+28 E	4	40	2	90
16403	86 10	11.26	1781	125	+65 W	9	50	2	130	16443	86 10	25.34	1781	119	-16 E	2	20	2	30
16404	86 10	12.30	1781	291	+45 E	2	20	2	20	16444	86 10	25.34	1781	119	-41 E	10	50	2	270
16405	86 10	12.30	1781	291	-47 E	4	20	2	90	16445	86 10	25.34	1781	299	-44 W	7	30	2	100
16406	86 10	12.30	1781	111	-33 W	10	30	2	100	16446	86 10	25.34	1781	299	-32 W	5	20	2	30
16407	86 10	12.30	1781	111	-12 W	1	10	2	10	16447	86 10	25.34	1781	299	-25 W	4	20	2	30
16408	86 10	12.30	1781	111	+15 W	2	20	2	50	16448	86 10	27.60	1782	89	+47 E	2	10	2	20
16409	86 10	12.30	1781	111	+32 W	2	30	2	50	16449	86 10	27.60	1782	89	+38 E	2	20	2	30
16410	86 10	15.32	1781	251	+28 E	2	30	2	40	16450	86 10	27.60	1782	89	+29 E	3	20	2	50
16411	86 10	15.32	1781	71	-31 W	4	40	2	110	16451	86 10	27.60	1782	89	+4 E	2	50	1	70
16412	86 10	15.32	1781	71	-10 W	1	20	2	20	16452	86 10	27.60	1782	89	-14 E	10	50	1	80
16413	86 10	15.32	1781	71	+30 W	1	20	2	20	16453	86 10	27.60	1782	89	-47 E	9	30	2	110
16414	86 10	15.32	1781	71	+48 W	4	50	2	110	16454	86 10	27.60	1782	269	-48 W	5	40	2	130
16415	86 10	16.40	1781	237	+53 E	2	30	2	60	16455	86 10	27.60	1782	269	-22 W	5	70	2	130
16416	86 10	16.40	1781	237	+24 E	10	70	2	210	16456	86 10	28.25	1782	80	+40 E	21	50	2	240
16417	86 10	16.40	1781	237	-21 E	3	20	1	40	16457	86 10	28.25	1782	80	-3 E	2	10	1	20
16418	86 10	16.40	1781	237	-45 E	4	30	2	80	16458	86 10	28.25	1782	80	-16 E	5	20	1	70
16419	86 10	16.40	1781	57	-53 W	1	30	1	20	16459	86 10	28.25	1782	80	-43 E	6	30	2	90
16420	86 10	16.40	1781	57	-31 W	2	30	2	60	16460	86 10	28.25	1782	260	-54 W	3	30	2	90
16421	86 10	16.40	1781	57	+40 W	2	20	2	30	16461	86 10	28.25	1782	260	+43 W	4	20	2	50
16422	86 10	16.40	1781	57	+48 W	4	40	2	70	16462	86 10	29.25	1782	67	+46 E	5	70	2	190
16423	86 10	17.30	1781	225	+47 E	8	30	2	150	16463	86 10	29.25	1782	67	+33 E	1	20	1	50
16424	86 10	17.30	1781	225	+23 E	3	80	3	170	16464	86 10	29.25	1782	67	+26 E	2	20	1	40
16425	86 10	17.30	1781	225	-41 E	4	30	2	60	16465	86 10	29.25	1782	67	+5 E	2	20	1	30
16426	86 10	17.30	1781	45	-41 W	4	40	2	90	16466	86 10	29.25	1782	67	-17 E	1	40	1	50
16427	86 10	17.30	1781	45	-20 W	7	30	2	80	16467	86 10	29.25	1782	67	-33 E	4	20	1	50
16428	86 10	17.30	1781	45	+39 W	16	60	2	300	16468	86 10	29.25	1782	67	-42 E	5	30	2	80
16429	86 10	17.30	1781	45	+86 W	1	20	1	20	16469	86 10	29.25	1782	247	-47 W	3	30	2	60
16430	86 10	18.47	1781	210	+48 E	6	30	2	100	16470	86 10	29.25	1782	247	-2 W	4	10	2	40

TABLE 1 CONTINUED

TABLE 1 CONTINUED

TABLE 1 CONTINUED

16471 86 10	29.25	1782	247	+9 W	3	10	2	30	16511 86 11	11.29	1782	255	-23 E	5	30	2	100
16472 86 10	29.25	1782	247	+31 W	1	20	1	40	16512 86 11	11.29	1782	255	-43 E	3	20	2	50
16473 86 10	29.25	1782	247	+45 W	2	20	2	40	16513 86 11	11.29	1782	75	-12 W	3	40	1	50
16474 86 10	31.42	1782	39	+59 E	12	100	2	330	16514 86 11	11.29	1782	75	-3 W	3	50	1	60
16475 86 10	31.42	1782	39	+26 E	2	30	2	60	16515 86 11	11.29	1782	75	+11 W	3	30	2	50
16476 86 10	31.42	1782	39	-13 E	3	40	2	70	16516 86 11	11.29	1782	75	+32 W	2	20	2	40
16477 86 10	31.42	1782	39	-32 E	4	50	2	120	16517 86 11	12.29	1782	242	+32 E	1	50	2	60
16478 86 10	31.42	1782	219	-33 W	1	70	2	160	16518 86 11	12.29	1782	242	+13 E	6	20	2	70
16479 86 10	31.42	1782	219	+59 W	1	20	2	30	16519 86 11	12.29	1782	242	-2 E	2	20	2	30
16480 86 10	31.42	1782	219	+58 W	1	20	2	30	16520 86 11	12.29	1782	242	-23 E	13	30	2	100
16481 86 11	3.35	1782	0	-35 E	6	30	2	140	16521 86 11	12.29	1782	242	-38 E	2	30	1	30
16482 86 11	3.35	1782	0	-40 E	5	20	2	80	16522 86 11	12.29	1782	242	-43 E	5	50	2	120
16483 86 11	3.35	1782	180	-41 W	9	60	2	170	16523 86 11	12.29	1782	62	-13 W	1	40	2	40
16484 86 11	3.35	1782	180	-21 W	2	30	2	50	16524 86 11	12.29	1782	62	0 W	3	10	2	20
16485 86 11	3.35	1782	180	+38 W	2	50	2	70	16525 86 11	12.29	1782	62	+9 W	1	30	1	30
16486 86 11	4.33	1782	347	+59 E	1	40	1	50	16526 86 11	12.29	1782	62	+43 W	5	50	2	150
16487 86 11	4.33	1782	347	+3 E	2	40	1	60	16527 86 11	13.28	1782	229	+78 E	1	40	1	40
16488 86 11	4.33	1782	167	-38 W	1	30	2	50	16528 86 11	13.28	1782	229	+25 E	4	30	2	50
16489 86 11	4.33	1782	167	+18 W	1	30	1	30	16529 86 11	13.28	1782	229	-42 E	8	50	2	230
16490 86 11	4.33	1782	167	+29 W	2	30	2	60	16530 86 11	13.28	1782	49	-37 W	12	50	2	150
16491 86 11	8.37	1782	294	+15 E	1	60	1	60	16531 86 11	13.28	1782	49	-15 W	2	40	2	80
16492 86 11	8.37	1782	294	-28 E	6	60	2	130	16532 86 11	13.28	1782	49	0 W	4	20	1	40
16493 86 11	8.37	1782	114	-59 W	4	60	2	100	16533 86 11	13.28	1782	49	+33 W	1	100	1	110
16494 86 11	8.37	1782	114	-23 W	4	40	2	60	16534 86 11	13.28	1782	49	+43 W	4	40	2	90
16495 86 11	8.37	1782	114	-8 W	3	20	2	40	16535 86 11	14.36	1782	215	+39 E	6	20	2	80
16496 86 11	8.37	1782	114	+20 W	3	50	2	100	16536 86 11	14.36	1782	215	-38 E	16	60	2	300
16497 86 11	8.37	1782	114	+29 W	3	100	2	190	16537 86 11	14.36	1782	35	-40 W	7	40	2	140
16498 86 11	8.37	1782	114	+38 W	1	40	2	40	16538 86 11	14.36	1782	35	-19 W	5	60	2	100
16499 86 11	9.51	1782	279	-25 E	16	50	2	160	16539 86 11	14.36	1782	35	+8 W	15	50	2	180
16500 86 11	9.51	1782	99	-41 W	1	40	2	40	16540 86 11	14.36	1782	35	+44 W	5	30	2	140
16501 86 11	9.51	1782	99	-24 W	3	20	2	50	16541 86 11	15.29	1782	202	+47 E	4	20	2	70
16502 86 11	9.51	1782	99	+4 W	1	30	1	30	16542 86 11	15.29	1782	202	-43 E	11	50	2	230
16503 86 11	9.51	1782	99	+32 W	4	20	2	60	16543 86 11	15.29	1782	22	-40 W	5	40	2	110
16504 86 11	10.46	1782	266	+38 E	7	30	2	130	16544 86 11	15.29	1782	22	+13 W	5	40	2	100
16505 86 11	10.46	1782	266	-16 E	1	60	1	50	16545 86 11	21.36	1782	122	+33 E	4	80	2	130
16506 86 11	10.46	1782	86	-11 W	3	20	2	60	16546 86 11	21.36	1782	122	+14 E	3	20	2	70
16507 86 11	10.46	1782	86	+4 W	4	20	2	50	16547 86 11	21.36	1782	122	-13 E	1	20	2	30
16508 86 11	11.29	1782	255	+41 E	4	30	2	70	16548 86 11	21.36	1782	122	-38 E	6	80	2	250
16509 86 11	11.29	1782	255	+27 E	1	20	1	20	16549 86 11	21.36	1782	302	-42 W	6	60	2	210
16510 86 11	11.29	1782	255	-6 E	1	20	2	30	16550 86 11	28.33	1783	30	+42 E	15	50	2	180

TABLE 1 CONTINUED

16551 86 11	28.33	1783	30	3	E	2	30	1	60	16591 86 12	9.32	1783	65	-42	W	5	70	2	170	
16552 86 11	28.33	1783	30	-36	E	10	60	2	190	16592 86 12	9.32	1783	65	-6	W	1	20	2	20	
16553 86 11	28.33	1783	210	-39	W	1	60	1	40	16593 86 12	9.32	1783	65	+5	W	1	20	2	20	
16554 86 11	28.33	1783	210	+38	W	6	40	2	110	16594 86 12	10.50	1783	230	+41	E	20	70	2	440	
16555 86 11	29.35	1783	17	+62	E	2	30	2	40	16595 86 12	10.50	1783	230	-23	E	6	40	2	80	
16556 86 11	29.35	1783	17	+40	E	2	40	1	60	16596 86 12	10.50	1783	230	-38	E	4	40	2	90	
16557 86 11	29.35	1783	17	-33	E	7	50	2	140	16597 86 12	10.50	1783	50	-42	W	4	40	2	70	
16558 86 11	29.35	1783	197	-10	W	1	40	1	40	16598 86 12	10.50	1783	50	+43	W	1	40	2	40	
16559 86 11	29.35	1783	197	+8	W	2	30	2	50	16599 86 12	11.38	1783	218	+45	E	11	90	2	530	
16560 86 11	29.35	1783	197	+43	W	4	40	2	90	16600 86 12	11.38	1783	218	+29	E	3	20	2	50	
16561 86 11	30.36	1783	3	+22	E	1	30	2	30	16601 86 12	11.38	1783	218	-15	E	1	10	2	20	
16562 86 11	30.36	1783	3	-28	E	9	100	2	160	16602 86 12	11.38	1783	218	-24	E	2	40	2	50	
16563 86 11	30.36	1783	183	-40	W	9	60	2	140	16603 86 12	11.38	1783	218	-39	E	7	20	2	80	
16564 86 11	30.36	1783	183	+6	W	3	30	2	60	16604 86 12	11.38	1783	38	-43	W	3	20	1	40	
16565 86 11	30.36	1783	183	+17	W	1	30	2	20	16605 86 12	11.38	1783	38	+40	W	7	50	2	130	
16566 86 11	30.36	1783	183	+25	W	1	40	2	50	16606 86 12	14.52	1783	177	+43	E	9	50	2	140	
16567 86 11	30.36	1783	183	+38	W	10	60	2	180	16607 86 12	14.52	1783	177	-23	E	12	20	2	70	
16568 86 12	1.37	1783	350	+41	E	1	20	2	20	16608 86 12	14.52	1783	357	-43	W	4	20	2	90	
16569 86 12	1.37	1783	350	-31	E	1	60	2	50	16609 86 12	25.54	1784	31	-32	E	3	20	2	40	
16570 86 12	1.37	1783	170	-40	W	8	100	2	250	16610 86 12	25.54	1784	31	-51	E	1	20	2	20	
16571 86 12	1.37	1783	170	-24	W	1	50	2	50	16611 86 12	25.54	1784	211	-42	W	5	70	2	140	
16572 86 12	1.37	1783	170	+24	W	1	50	2	60	16612 86 12	25.54	1784	211	-3	W	3	20	2	50	
16573 86 12	1.37	1783	170	+35	W	7	50	2	170	16613 86 12	25.54	1784	211	+26	W	6	30	2	70	
16574 86 12	4.48	1783	309	+21	E	1	70	1	60	16614 86 12	25.54	1784	211	+32	W	2	20	2	60	
16575 86 12	4.48	1783	309	-8	E	4	60	2	120	16615 86 12	25.54	1784	211	+40	W	6	20	2	90	
16576 86 12	4.48	1783	309	-38	E	4	40	2	80	16616 86 12	25.54	1784	211	+48	W	3	20	2	60	
16577 86 12	4.48	1783	129	-40	W	9	160	2	260	16617 86 12	28.36	1784	354	+53	E	3	10	2	30	
16578 86 12	4.48	1783	129	+22	W	2	30	2	40	16618 86 12	28.36	1784	354	-22	E	1	70	1	50	
16579 86 12	6.32	1783	285	-38	E	4	50	2	100	16619 86 12	28.36	1784	354	-35	E	5	70	2	180	
16580 86 12	6.32	1783	105	-35	W	20	80	2	250	16620 86 12	28.36	1784	174	-30	W	17	100	2	550	
16581 86 12	7.35	1783	271	-12	E	2	60	2	60											
16582 86 12	7.35	1783	271	-36	E	9	30	2	110											
16583 86 12	7.35	1783	91	-45	W	2	20	2	30											
16584 86 12	7.35	1783	91	-9	W	6	30	2	60											
16585 86 12	8.37	1783	258	+13	E	1	20	2	20											
16586 86 12	8.37	1783	258	-88	E	1	50	1	50											
16587 86 12	8.37	1783	78	-43	W	3	20	2	60											
16588 86 12	8.37	1783	78	-8	W	3	20	2	50											
16589 86 12	8.37	1783	78	+18	W	1	20	2	20											
16590 86 12	9.32	1783	245	-22	E	11	40	2	160											

TABLE 1 CONTINUED

Since this "Catalogue" has also been recorded on magnetic tape, we give its following characteristics: EBCDI code on 9-track tape of density 800 bpi, BLOCKSIZE = 4800 bytes, RECORD SIZE = 48 bytes, No. of RECORDS = 16 620. For convenience purposes, to facilitate the distribution and use, in near future it will be recorded in the FITS format in compliance with the requirements of IAU.

3. RESULTS AND DISCUSSION

As mentioned in the Introduction, the basis for the further study of prominences are the data in Table 1.

The distribution of the prominences in heliographic longitude and latitude is shown in Figures 2-21 (Lambert's projection; N-denotes number of prominences observed in each half-year and hemisphere). These Figures clearly show the existence of preferred longitudes at mid- and high heliographic latitudes, whose evolution can be observed from their beginning in 1977 to their decay at the poles in 1980 in the northern hemisphere and 1981 in the southern hemisphere (incomplete evolution can also be observed in the years 1967-1970).

In 1977, one can observe a number of local areas with increased numbers of prominences at latitudes 40° - 50° which formed four very bright preferred regions at latitudes 50° - 60° one year later. They are not exactly mutually at a distance of 90° . In the next year, only two preferred longitudes existed, spaced at 180° . These preferred longitude in cycle 21 were located at heliographic longitudes 0° and 180° , in cycle 20 at 30° and 210° . Just before they reached the poles, the well-known "polar crown" was observed. The distribution of the prominences relative to the pole in this period was not symmetrical, nor did the maximum itself lie precisely on the poles (see Figures 4, 5, 15, 16). The reason for this anomaly appears to be related to the preferred longitudes observed 2-3 years earlier at lower latitudes. Besides this, the displacement of the maxima at the individual preferred longitudes of the polar zone appears to be affected by differential rotation.

There are preferred longitudes also in the neighbourhood of the equator, but not all of them will be mentioned due to their numbers. Moreover, they can not be observed over a longer period as in the case of the preferred longitudes at mid- and high latitudes, which is due to their different evolution.

In 1980, a conspicuous decrease (Figure 15) in the number of prominences was observed at heliographic longitudes of 150° to 210° in the neighbourhood of the southern pole. A decrease in the brightness of the white-light corona was observed at roughly the same heliographic longitudes during the solar eclipse on February 16, 1980 (Rušin and Rybanský, 1983). In our opinion, this fact is evidence of a close relation with the mass transfer between prominences and the corona or vice versa.

An interesting situation occurred in the southern hemisphere in 1982, a year after the disintegration of the polar prominence zone. A new zone of polar prominences (Figure 17), which was not observed the year after, began to form at heliographic latitudes of 50° - 60° . A similar pattern was also observed in

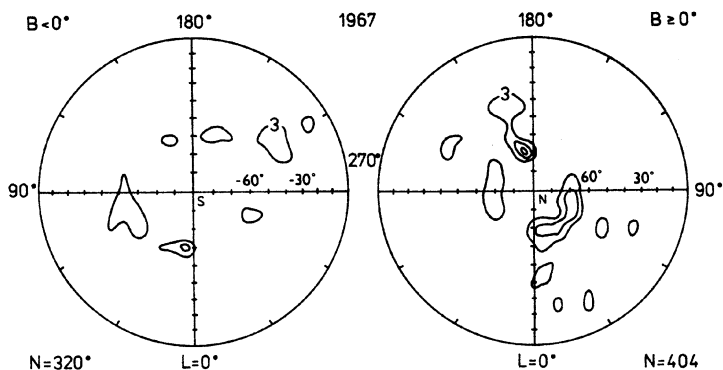


Figure 2: Lambert's projection of prominences for 1967. N-denotes a number of prominences in all next Figures. A basic isoline has value 3 and each next is made by the step 2. This is valid for all the next Figures.

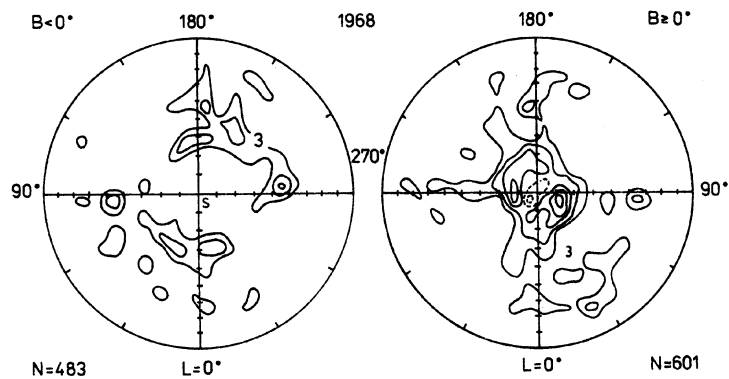


Figure 3: Lambert's projection of prominences for 1968.

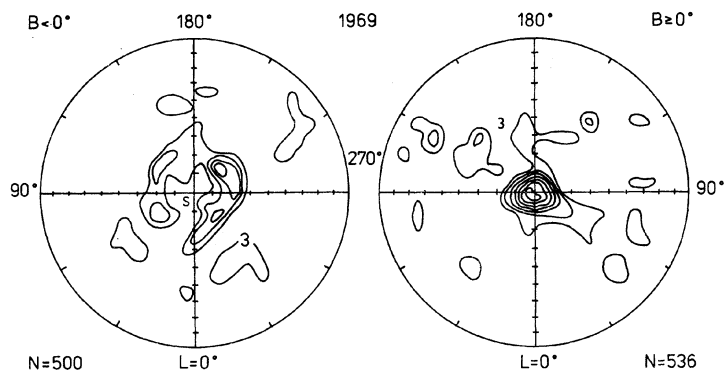


Figure 4: Lambert's projection of prominences for 1969.

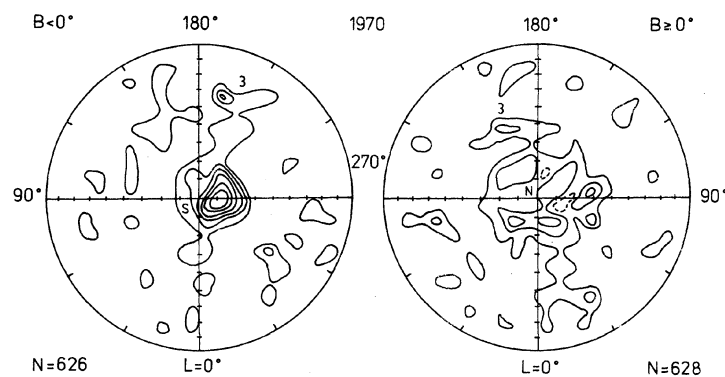


Figure 5: Lambert's projection of prominences for 1970. Dotted line represents a deficit of prominences. It could be called 'prominence hole'.

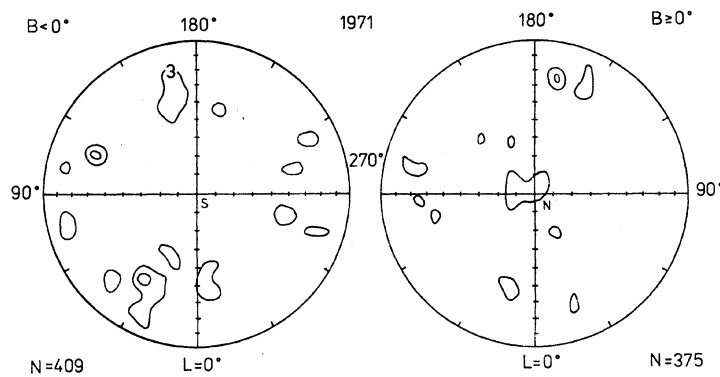


Figure 6: Lambert's projection of prominences for 1971.

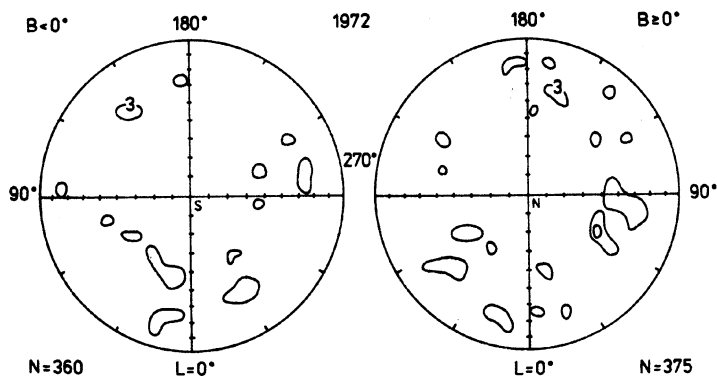


Figure 7: Lambert's projection of prominences for 1972.

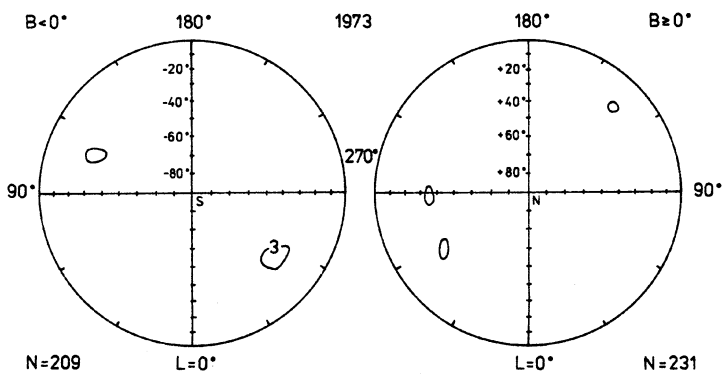


Figure 8: Lambert's projection of prominences for 1973.

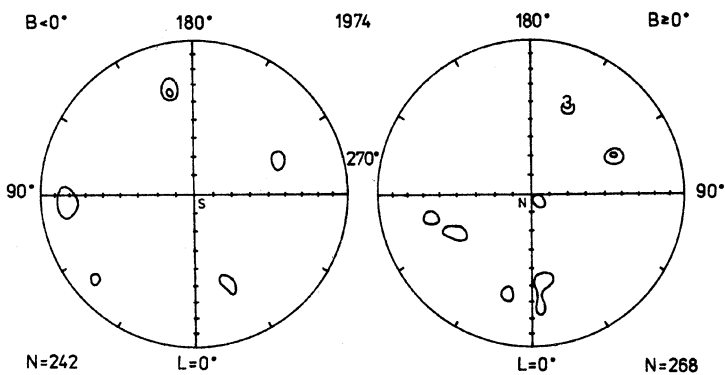


Figure 9: Lambert's projection of prominences for 1974.

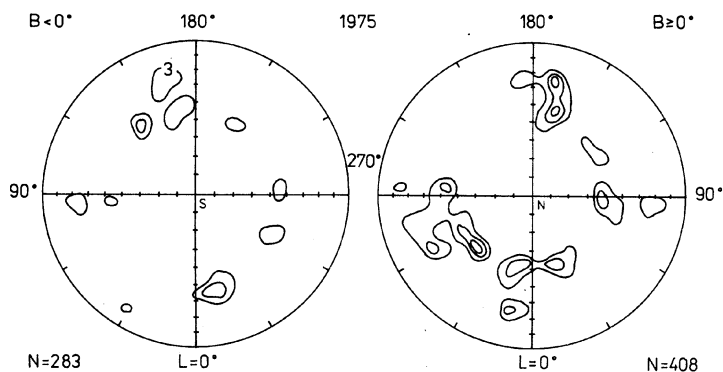


Figure 10: Lambert's projection of prominences for 1975.

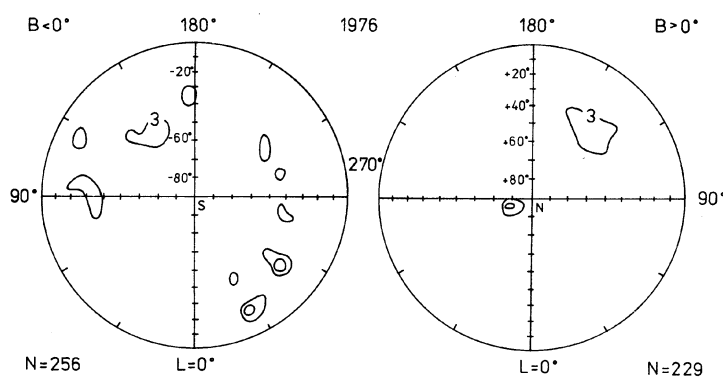


Figure 11: Lambert's projection of prominences for 1976.

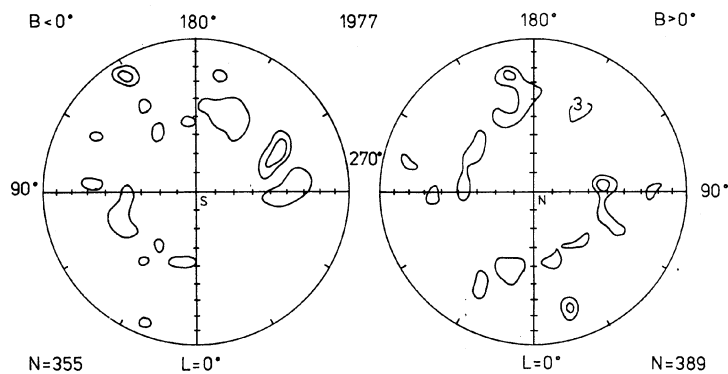


Figure 12: Lambert's projection of prominences for 1977.

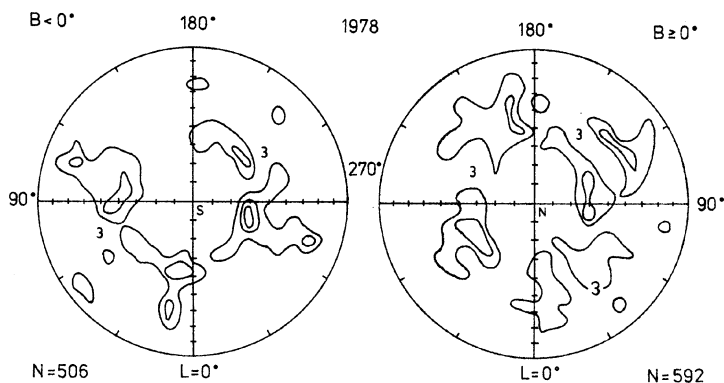


Figure 13: Lambert's projection of prominences for 1978.

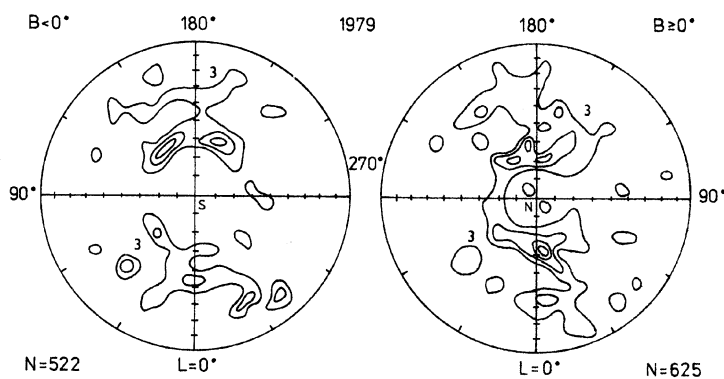


Figure 14: Lambert's projection of prominences for 1979.

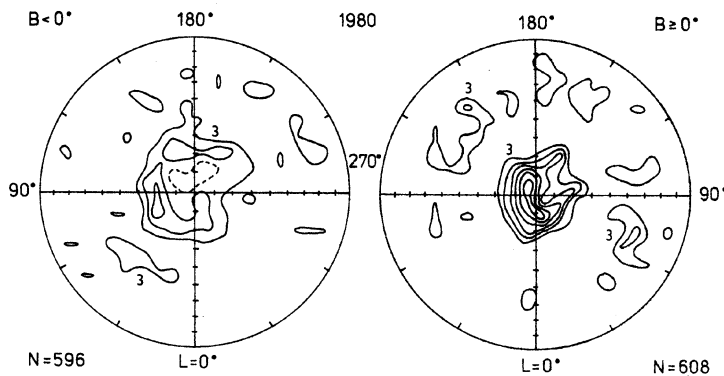


Figure 15: Lambert's projection of prominences for 1980. A dotted line represents a deficit of prominences in the southern hemisphere.

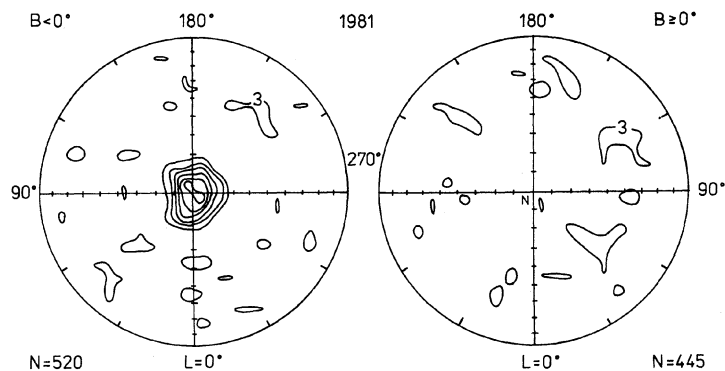


Figure 16: Lambert's projection of prominences for 1981.

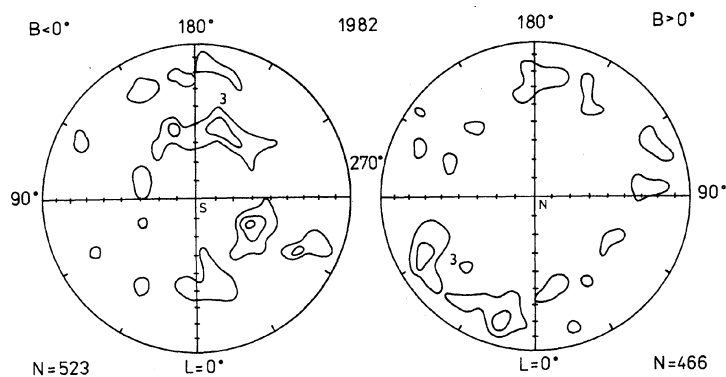


Figure 17: Lambert's projection of prominences for 1982.

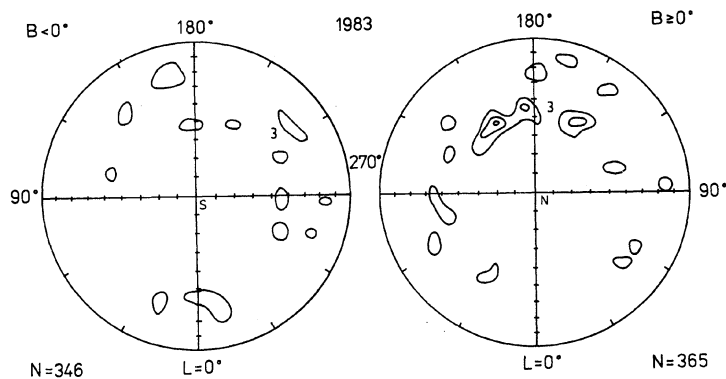


Figure 18: Lambert's projection of prominences for 1983.

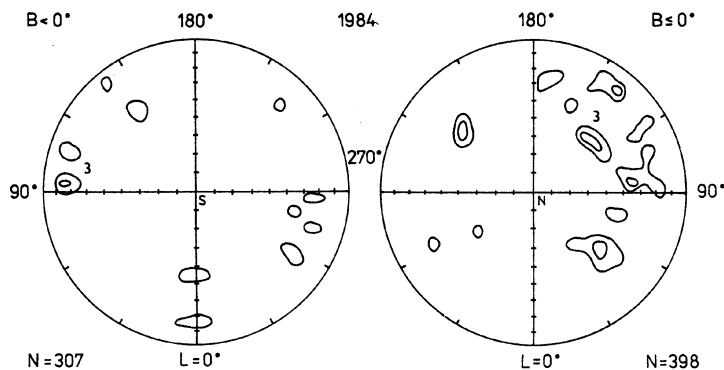


Figure 19: Lambert's projection of prominences for 1984.

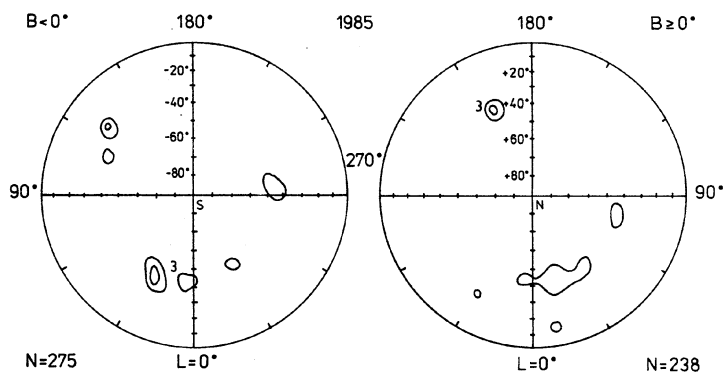


Figure 20: Lambert's projection of prominences for 1985.

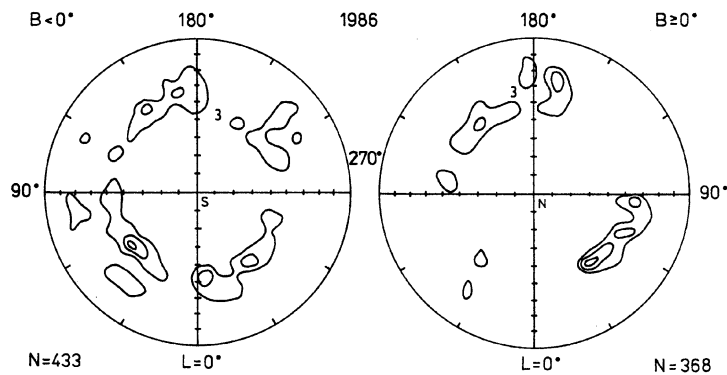


Figure 21: Lambert's projection of prominences for 1986.

1970, but in the northern hemisphere (Figure 5). In both the years mentioned, a conspicuous increase in the coronal index of the green corona was observed (Rybanský and Rušin, 1988), which may indicate a certain degree of correlation. This correlation could be due to the emergence of new magnetic field from below the photosphere, or it could be connected with the changes in a rotation rate of the corona as derived from coronal index (Rušin et al., 1988). Changes in the rotation rate of the green corona were indeed observed in both cases. However, some problem is that, in the other cases of changes of rotational rates, no so conspicuous changes are observed in the prominences, even when they exist. Usually, prominence areas are rising if rotational rates, as derived from semi-annual data sets of the coronal index, are changed.

The latitudinal distribution of the number of prominences separately for the northern and southern hemispheres is shown in Table 2 and Table 3. A similar distribution of prominence areas is given in Table 4 and Table 5. Both sets of Tables clearly indicate the displacement of the high latitude prominence zones towards the poles, as in other cycles, e.g. Makarov and Sivaraman (1985).

The time distribution of prominence areas separately for the northern and southern hemispheres, and also for both together, is shown in Table 6, Table 7 and Table 8. The monthly average areas are plotted in Figure 22. The average annual values of areas are plotted in Figure 23 (there are the Wolf's number given for a comparison) and indicate that the ratio of the average minimum and maximum values is about 1:2 (cycle 20, 1:1.89; cycle 21, 1:1.86). The number of prominences between minimum and maximum of a cycle varied in the ratio of about 1:3. It does not appear as if the prominence areas in the maximum depended on Wolf's number. Although the values of Wolf's number were higher in cycle 21 than in cycle 20, a lower average values of areas were observed, but

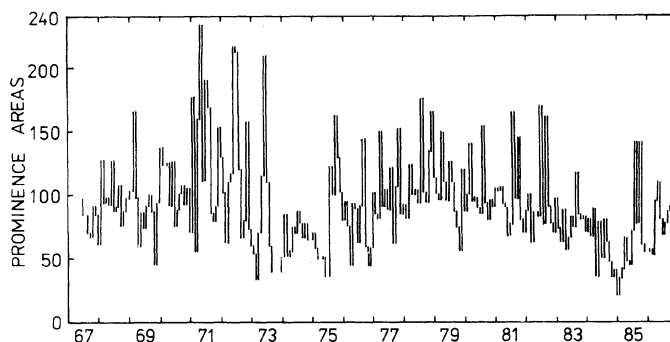


Figure 22: Monthly means of prominence areas in the years 1967 - 1986.

Table 2

Latitude distribution of northern prominences (number)

Year	0-5°	5-10°	10-15°	15-20°	20-25°	25-30°	30-35°	35-40°	40-45°	45-50°
1967	17	16	23	22	42	37	25	27	36	21
1968	18	20	41	43	39	43	41	39	44	33
1969	27	26	35	39	43	36	34	28	27	31
1970	38	41	46	41	55	35	35	37	27	29
1971	28	23	36	37	33	33	39	21	25	5
1972	27	25	34	36	37	38	35	35	40	26
1973	12	15	24	19	19	31	29	19	12	12
1974	23	12	20	17	24	24	25	33	38	27
1975	23	29	19	39	48	36	34	27	51	64
1976	17	15	20	24	14	12	15	26	19	18
1977	28	24	28	34	25	37	45	35	34	45
1978	31	32	39	42	56	52	58	50	45	36
1979	35	36	42	40	36	50	52	49	43	40
1980	29	39	38	37	43	55	39	42	38	37
1981	40	30	28	34	48	42	36	42	37	30
1982	53	43	52	41	50	44	43	41	36	25
1983	23	25	25	30	33	28	43	36	38	31
1984	28	32	32	31	47	37	35	45	45	35
1985	19	11	13	21	22	17	25	36	31	17
1986	18	35	35	23	37	36	39	47	50	27

Year	50-55°	55-60°	60-65°	65-70°	70-75°	75-80°	80-85°	85-90°	0-90°
1967	20	12	32	43	24	5	2	0	404
1968	23	26	22	48	49	46	19	7	601
1969	36	25	22	14	12	28	38	27	536
1970	34	30	46	44	46	20	13	11	628
1971	6	19	16	12	11	13	12	6	375
1972	27	10	1	1	2	0	0	1	375
1973	22	12	0	0	3	1	0	1	231
1974	7	4	1	1	1	4	5	2	268
1975	25	4	1	3	1	3	0	1	408
1976	23	6	2	3	3	4	3	4	228
1977	34	12	2	0	2	3	1	0	389
1978	65	47	21	12	2	0	2	2	592
1979	26	27	72	46	18	3	3	7	625
1980	15	11	7	27	49	57	37	9	609
1981	22	25	14	4	3	3	5	2	445
1982	18	15	1	1	0	0	2	1	466
1983	30	8	4	2	0	3	5	1	365
1984	20	2	1	2	4	1	0	1	398
1985	10	5	5	3	1	2	0	0	238
1986	8	3	4	3	0	2	0	1	368

Table 3

Latitude distribution of southern prominences (number)

Year	0-5°	5-10°	10-15°	15-20°	20-25°	25-30°	30-35°	35-40°	40-45°	45-50°
1967	24	35	16	20	23	26	27	26	19	25
1968	21	31	31	35	34	44	30	46	41	25
1969	28	30	25	29	25	41	30	44	39	34
1970	38	51	41	49	36	42	35	49	58	29
1971	30	43	36	37	42	37	41	37	34	19
1972	32	33	31	36	37	29	28	26	29	30
1973	20	14	25	21	29	21	26	17	9	7
1974	23	19	29	26	25	17	20	25	26	15
1975	20	18	28	25	22	21	41	44	34	19
1976	17	17	25	24	25	23	26	21	39	22
1977	28	29	26	26	25	24	39	38	36	51
1978	30	33	37	36	46	45	37	42	26	52
1979	50	22	38	41	45	34	54	35	27	27
1980	36	42	45	47	46	34	40	43	31	20
1981	43	43	48	42	25	34	36	38	24	34
1982	40	38	52	51	48	37	40	36	33	38
1983	23	30	36	44	28	44	35	31	29	30
1984	25	34	41	35	41	27	29	21	26	8
1985	13	22	18	30	31	23	30	32	39	20
1986	25	30	34	37	42	36	44	74	65	30

Year	50-55°	55-60°	60-65°	65-70°	70-75°	75-80°	80-85°	85-90°	0-90°
1967	44	23	4	1	2	2	2	1	320
1968	39	49	35	17	4	1	0	0	483
1969	10	16	44	59	32	6	6	2	500
1970	32	22	11	19	29	39	25	21	626
1971	29	8	7	1	1	3	1	3	409
1972	31	11	3	1	2	0	0	1	360
1973	5	2	4	3	0	2	2	2	209
1974	3	2	1	2	3	1	2	3	242
1975	5	1	2	1	0	0	2	0	283
1976	9	0	1	2	1	2	2	0	256
1977	23	2	3	0	1	2	1	1	355
1978	61	45	10	3	1	2	0	0	506
1979	31	55	40	12	2	2	5	2	522
1980	18	34	47	48	33	17	10	5	596
1981	22	5	4	6	19	46	30	21	520
1982	48	42	14	2	1	1	2	0	523
1983	6	4	1	0	1	2	0	2	346
1984	5	3	2	2	3	1	2	2	307
1985	6	6	1	1	1	1	0	1	275
1986	8	1	0	4	1	1	0	1	433

Table 4

Latitude distribution of prominence areas for the northern hemisphere

Year	0-5	5-10	10-15	15-20	20-25	25-30	30-35	35-40	40-45	45-50
1967	884	978	1507	1848	3838	3234	1525	2381	3633	1658
1968	788	1902	4706	6001	6041	4598	4440	7159	2704	2176
1969	2792	1894	4603	3275	3683	4671	3360	2860	2510	3457
1970	3631	4787	5787	4692	5997	4450	7357	4400	1615	2897
1971	2216	2111	4715	5310	5652	4252	9825	1880	3915	458
1972	2620	2227	3507	4058	3414	5450	4949	3457	4245	2812
1973	575	760	1731	1180	2510	3710	1220	1160	970	910
1974	1305	585	870	970	1575	1555	1380	3275	2635	1510
1975	1220	1890	1395	2735	4555	2615	2180	3215	4868	7735
1976	1440	1480	1190	1800	865	1015	1430	2503	1690	2365
1977	1830	1335	1375	2600	3090	3995	5475	3975	6285	7460
1978	1870	3245	5120	2745	6620	5835	8790	5705	5480	5775
1979	2440	3440	3380	3750	3100	5550	5000	5010	4225	5150
1980	2320	3320	2665	4320	3160	6035	5460	4060	3720	3070
1981	4480	3010	2740	3250	4360	3570	3820	4750	3970	2840
1982	4030	4020	5130	3350	7040	4440	5490	4720	3320	1810
1983	1500	2730	2360	2550	2660	3720	3730	2850	3010	1710
1984	1360	2210	2840	1640	4400	2170	2050	2740	2460	1670
1985	1730	440	1130	990	1440	1630	2440	2650	1480	930
1986	870	2600	2270	1510	3330	2510	3010	4290	4480	2280
Year	50-55	55-60	60-65	65-70	70-75	75-80	80-85	85-90	0-90	
1967	2337	1285	3550	3909	1735	156	30	0	34	488
1968	1427	1836	1728	2797	3362	3926	1496	587	57	674
1969	3773	2829	913	653	717	1129	2160	2694	47	973
1970	2208	2505	5190	3066	5200	1490	605	371	66	248
1971	584	833	970	806	705	470	859	220	45	781
1972	2824	822	54	12	56	0	0	50	40	557
1973	1410	480	0	0	85	15	0	20	16	736
1974	215	90	35	30	15	125	135	40	16	345
1975	2010	400	160	140	20	90	0	10	35	238
1976	1999	130	65	140	55	150	250	160	18	727
1977	4335	905	70	0	260	100	15	0	43	105
1978	10770	6300	2040	2880	290	0	75	60	73	600
1979	2560	3490	7315	5900	3890	430	280	450	65	300
1980	1070	570	290	2570	6555	6420	2180	800	58	585
1981	2330	1870	810	150	180	40	200	50	42	420
1982	1090	1010	120	60	0	0	80	80	45	790
1983	1470	270	130	130	0	100	410	30	29	360
1984	1040	670	20	100	170	20	0	10	25	570
1985	300	150	110	70	20	50	0	0	15	560
1986	440	110	120	160	0	80	0	20	28	080

Table 5

Latitude distribution of prominence areas for the southern hemisphere

Year	0-5	5-10	10-15	15-20	20-25	25-30	30-35	35-40	40-45	45-50
1967	1256	2231	1104	1117	1782	2517	1500	1973	2715	2795
1968	2450	4403	4322	3832	2404	3495	2427	3816	3587	2795
1969	3370	3120	1424	2150	1355	3366	4941	5450	4796	3572
1970	4779	6782	3199	4311	4205	4352	6160	6715	6263	2620
1971	3476	5593	4816	5031	8626	3673	5095	5148	4872	2468
1972	3493	3343	6257	5449	3814	3211	3392	3378	3931	2374
1973	2510	620	1270	1250	2210	1395	2370	1600	470	395
1974	1525	1135	1635	2785	1390	1645	1725	2055	1980	1130
1975	930	800	2340	1965	1650	1750	5085	3838	3815	1535
1976	630	1080	1350	2444	2100	1755	1415	1220	3675	1306
1977	1595	1755	2085	1940	1715	1570	5795	4470	4715	5385
1978	2495	2565	3795	4100	5695	4475	3085	4575	3585	4885
1979	5450	1790	4170	5030	3720	2250	6290	3595	2650	2200
1980	1940	3360	5400	5110	6550	4120	7780	5764	3330	1470
1981	4470	5520	6230	4890	2230	3810	3990	3660	1830	2660
1982	4210	2910	3190	4430	3440	3030	4010	3410	4590	2280
1983	1640	2400	3580	5110	2600	5190	2670	2090	2020	1640
1984	1530	1800	1990	1980	2450	1410	2300	1050	1920	430
1985	960	1160	1430	2250	2500	1870	2160	2120	2270	1120
1986	910	1540	1660	2070	2890	3570	4580	8040	5930	2160
Year	50-55	55-60	60-65	65-70	70-75	75-80	80-85	85-90	0-90	
1967	3948	2195	378	34	20	65	33	10	25	673
1968	3800	5064	2805	912	361	80	0	0	46	553
1969	695	1525	2849	4662	2437	433	280	80	46	505
1970	1628	1445	645	940	1900	3630	2494	970	63	038
1971	2937	336	434	121	30	148	10	83	52	897
1972	2979	758	210	135	55	0	0	58	42	837
1973	155	230	220	75	0	140	60	70	15	040
1974	120	25	15	40	100	20	155	70	17	550
1975	110	15	40	25	0	0	35	0	23	933
1976	658	0	130	480	50	70	80	0	18	443
1977	1880	120	255	0	440	200	30	20	33	970
1978	6195	4590	900	340	15	105	0	0	51	400
1979	2980	5380	4080	1350	220	40	240	240	51	675
1980	730	3440	3690	5090	2850	1050	690	490	62	885
1981	1380	280	160	260	1290	4250	3330	3890	54	130
1982	3530	2290	680	90	50	20	110	0	42	270
1983	180	90	20	0	60	100	0	30	29	420
1984	200	210	90	80	70	10	40	50	17	610
1985	320	180	90	10	10	20	0	40	18	510
1986	390	30	0	70	10	30	0	50	33	930

Table 6
Monthly and yearly means of northern prominence areas

Year	JAN	FEB	MAR	APR	MAY	JUNE	JULY	AUG	SEP	OCT	NOV	DEC	MEAN
1967					78.5	133.1	102.9	103.7	57.3	64.5	96.1	40.3	85.4
1968	64.7	139.2	100.4	113.2	86.1	120.3	80.8	74.1	91.4	71.2	99.4	101.7	96.0
1969	122.3	69.3	183.1	80.7	72.9	88.8	80.5	76.5	94.0	86.9	36.1	89.7	89.5
1970	152.9	97.2	142.9	137.1	115.3	130.0	74.0	87.8	94.1	96.3	107.3	121.3	105.5
1971	47.9	199.3	46.5	176.4	173.9	154.4	246.7	103.5	91.5	67.2	119.9	148.9	122.1
1972	130.5	109.2	62.4	130.5	127.4	188.7	159.8	116.3	55.7	64.7	184.7	71.0	108.2
1973	50.6	40.0	35.6	71.7	94.6	273.9	83.0	51.5	36.7			39.3	72.5
1974	57.2	63.0	52.6	48.4	83.3	66.5	92.1	71.3	49.8	76.0	63.4		61.0
1975	70.0	67.8	57.7	47.3	56.6	33.0		108.1	93.8	137.2	153.8	96.5	86.4
1976	59.3	115.0	62.0	41.7	82.4	75.3	60.2	111.7	130.0	74.6	68.3	90.0	82.1
1977	103.1	112.3	81.3	148.1	100.6	91.3	95.0	116.3	45.2	122.3	178.6	110.7	110.8
1978	112.9	87.4	145.8	94.1	133.2	102.4	89.7	208.3	104.8	110.0	150.5	188.3	124.3
1979	126.3	91.6	89.4	161.0	115.6	99.4	123.6	138.4	86.8	76.2	61.8	83.9	104.6
1980	79.8	116.9	122.3	100.7	103.2	92.4	70.0	104.0	84.7	83.7	105.0	83.5	96.2
1981	114.3	88.0	115.0	87.8	85.3	70.0	85.9	100.0	118.1	96.3	60.0	35.4	95.3
1982	73.7	102.9	58.4	106.1	90.0	64.8	190.0	96.1	227.4	112.9	84.5	60.3	98.3
1983	115.0	76.4	50.9	34.0	51.0	65.8	61.9	59.8	148.1	84.8	89.2	62.8	80.4
1984	85.3	75.5	76.3	102.1	26.7	89.0	55.6	65.0	71.4	47.7	36.7	37.0	64.2
1985	39.2	18.5	28.2	40.8	49.1	33.3	41.6	73.8	162.5	86.7		63.0	65.4
1986	45.4	48.3	56.4	48.9	104.9	127.1	78.4	54.8	66.4	98.1	75.8	107.9	76.3

Table 7
Monthly and yearly means of southern prominence areas

Year	JAN	FEB	MAR	APR	MAY	JUNE	JULY	AUG	SEP	OCT	NOV	DEC	MEAN
1967					136.4	42.4	61.1	59.5	88.2	71.9	87.4	159.8	80.2
1968	57.6	116.7	84.0	77.4	104.3	134.9	96.6	111.1	125.2	85.1	73.5	92.1	96.4
1969	82.5	132.7	148.0	121.5	49.2	81.9	69.1	111.4	105.5	86.9	53.6	98.8	93.0
1970	125.6	140.0	105.3	105.5	71.3	123.8	78.3	79.4	108.6	121.8	68.9	79.0	100.7
1971	93.5	143.8	69.8	141.9	312.5	88.8	148.7	205.6	83.5	90.1	68.6	159.6	129.3
1972	129.5	93.0	60.9	84.1	101.3	237.0	281.7	123.4	78.3	89.0	114.0	73.3	119.0
1973	70.2	68.8	30.0	67.5	136.4	110.7	133.8	69.5	44.9			43.8	72.0
1974	44.2	100.0	52.3	64.1	67.1	78.2	85.5	84.2	86.0	78.5	65.0		72.5
1975	68.4	44.0	37.9	58.1	45.9	40.3		140.0	108.0	217.5	100.0	110.3	84.6
1976	94.4	76.9	90.0	49.0	105.8	100.7	64.5	75.4	160.0	45.3	29.0	44.4	72.0
1977	98.9	57.1	83.7	198.9	79.1	115.9	77.7	127.8	82.3	87.5	124.9	57.5	95.7
1978	64.7	74.8	94.6	104.4	44.4	103.9	100.3	146.8	100.2	75.5	115.3	137.7	101.6
1979	98.5	109.7	84.1	139.0	104.3	88.9	130.3	73.3	81.8	72.8	51.5	158.6	99.0
1980	92.0	88.8	158.1	85.8	92.7	89.1	100.4	210.4	102.2	74.9	86.9	95.9	105.5
1981	97.8	115.0	96.8	96.8	93.8	66.6	67.7	231.1	83.5	190.0	103.8	126.3	104.1
1982	95.9	98.2	65.2	69.3	80.8	96.4	152.0	54.9	84.8	66.4	67.7	81.6	80.8
1983	80.5	69.7	72.7	128.6	60.0	63.2	102.8	101.4	93.1	84.4	67.8	101.3	85.0
1984	54.2	85.5	51.7	74.3	36.3	68.7	44.8	97.5	50.4	45.7	30.8	49.4	57.4
1985	42.1	21.3	42.5	40.4	83.5	54.2	47.2	69.6	124.0	68.9	140.0	55.8	67.3
1986	65.6	57.2	56.3	55.0	85.6	95.0	77.1	75.8	85.9	76.5	104.5	104.4	78.4

Table 8
Monthly and yearly means of prominence areas

Year	JAN	FEB	MAR	APR	MAY	JUNE	JULY	AUG	SEP	OCT	NOV	DEC	MEAN
1967					98.5	98.2	83.9	83.8	70.9	68.1	92.0	85.1	83.1
1968	61.8	128.9	94.3	98.0	92.9	127.6	88.6	91.2	106.6	76.9	86.8	97.5	96.2
1969	103.3	103.7	165.6	98.5	59.9	86.1	75.0	91.2	99.9	86.9	45.9	93.6	91.2
1970	137.5	124.0	124.7	125.0	90.8	126.8	76.4	83.8	101.0	107.9	91.8	105.2	103.1
1971	68.4	178.5	55.8	159.5	234.8	111.9	191.1	168.8	86.5	80.3	90.7	154.8	125.9
1972	130.0	102.0	61.6	109.7	116.7	217.1	214.6	119.8	66.2	79.2	158.5	72.0	113.5
1973	60.4	54.4	33.3	69.3	114.6	209.5	110.7	60.3	40.5			41.3	72.2
1974	50.8	85.2	52.5	55.5	75.0	70.6	88.7	77.4	65.9	77.8	64.0		66.5
1975	69.6	56.6	50.8	50.2	51.1	36.4		121.9	100.2	163.2	130.6	102.2	85.6
1976	79.1	95.2	75.3	45.6	93.2	90.3	62.5	91.3	145.0	59.9	43.8	58.5	76.8
1977	101.6	83.7	82.5	170.9	89.9	103.0	86.9	121.9	61.3	104.6	152.5	84.7	103.6
1978	91.3	81.2	123.9	98.5	98.5	103.2	94.8	176.7	102.4	94.5	134.7	166.2	113.8
1979	113.4	98.8	86.4	149.7	110.1	94.6	126.4	110.2	84.9	74.7	57.7	121.9	102.0
1980	85.9	101.3	139.0	93.5	98.0	90.7	85.2	155.0	93.4	79.3	96.4	89.8	100.8
1981	105.6	103.4	105.8	92.4	89.7	68.3	77.0	165.5	96.4	145.9	80.6	70.0	100.1
1982	86.6	100.3	62.5	85.6	85.2	83.4	170.0	75.7	162.8	89.3	77.0	69.8	89.0
1983	97.3	72.7	61.8	89.2	56.1	64.6	81.4	74.3	117.1	84.6	79.9	81.6	82.7
1984	70.9	79.5	66.1	88.2	32.8	78.5	50.5	78.8	62.6	46.8	34.6	41.3	61.2
1985	40.7	19.5	34.2	40.6	65.5	47.2	44.7	71.5	139.4	76.8	140.0	59.5	66.4
1986	53.6	52.9	56.3	52.1	94.5	109.0	77.7	66.8	76.9	86.7	89.7	105.7	77.4

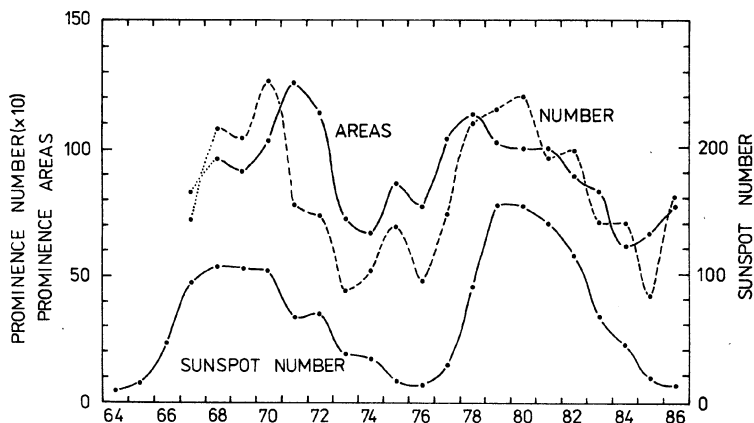


Figure 23: Yearly means of number and prominence areas (Wolf's number for a comparison).

on the other hand, high average values of areas were observed over a longer period, although the opposite was true between the cycles.

The N-S asymmetry has been observed in all manifestations of solar activity over a large number of years, e.g. Waldmeier (1957). The magnitude of the asymmetry is defined by the relation $A=(N-S)/(N+S)$ for the areas and number of prominences, and is shown in Table 9. The asymmetry of prominence areas is plotted in Figure 24. For comparison we showed the asymmetry of the green corona

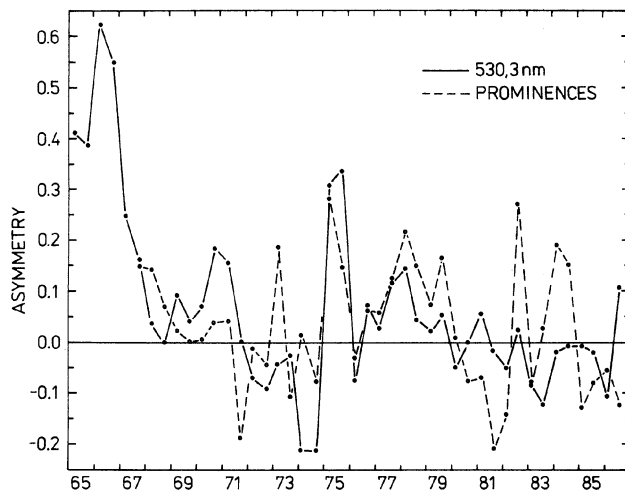


Figure 24: The north-south asymmetry of prominence areas (dotted line) and in the green corona (full line) in the years 1965-1986.

Table 9

The asymmetry of prominence areas and numbers

Year	Area				Number			
	N	S	N+S	A	N	S	N+S	A
1967/1	5381	4167	9548	0.13	63	34	97	0.30
1967/2	29107	21506	50613	0.15	341	286	627	0.09
1968/1	29116	21602	50718	0.15	274	209	483	0.13
1968/2	28558	24951	53509	0.07	327	274	601	0.09
1969/1	18745	17809	36554	0.03	190	184	374	0.02
1969/2	29228	28696	57924	0.01	346	316	662	0.05
1970/1	28914	28450	57364	0.01	226	254	480	-0.06
1970/2	37334	34588	71922	0.04	402	372	774	0.04
1971/1	26028	23824	49852	0.04	226	192	418	0.08
1971/2	19753	29073	48826	-0.19	149	217	366	-0.19
1972/1	22042	22562	44604	-0.01	177	173	350	0.01
1972/2	18515	20275	38790	-0.05	198	187	385	0.03
1973/1	10405	7045	17450	0.19	96	85	181	0.06
1973/2	6331	7995	14326	-0.12	135	124	259	0.04
1974/1	8120	7900	16020	0.01	137	124	261	0.05
1974/2	8225	9650	17875	-0.08	131	118	249	0.05
1975/1	11760	6445	18205	0.29	206	136	342	0.20
1975/2	23478	17488	40966	0.15	202	147	349	0.16
1976/1	11257	11943	23200	-0.03	134	145	279	-0.04
1976/2	7470	6500	13970	0.07	94	111	205	-0.08
1977/1	13260	11710	24970	0.06	122	104	226	0.08
1977/2	29845	22260	52105	0.15	267	251	518	0.03
1978/1	26375	16835	43210	0.22	247	196	443	0.12
1978/2	47225	34565	81790	0.15	345	310	655	0.05
1979/1	35135	30235	65370	0.08	310	291	601	0.03
1979/2	30225	21440	51665	0.17	315	231	546	0.15
1980/1	28245	27675	55920	0.01	275	286	561	-0.02
1980/2	30340	35180	65520	-0.07	334	310	644	0.04
1981/1	29080	33670	62750	-0.07	304	353	657	-0.07
1981/2	13340	20460	33800	-0.21	141	167	308	-0.08
1982/1	21400	28480	49880	-0.14	257	335	592	-0.13
1982/2	24390	13790	38180	0.28	209	188	397	0.05
1983/1	7790	9190	16980	-0.08	110	121	231	-0.05
1983/2	21570	20230	41800	0.03	255	225	480	0.06
1984/1	14260	9420	23680	0.20	180	155	335	0.07
1984/2	11310	8190	19500	0.16	218	152	370	0.18
1985/1	3400	4390	7700	-0.13	91	86	177	0.03
1985/2	12160	14120	26280	-0.07	147	189	336	-0.12
1986/1	11810	13160	24970	-0.05	165	194	359	-0.08
1986/2	16270	20770	37040	-0.12	203	239	442	-0.08

